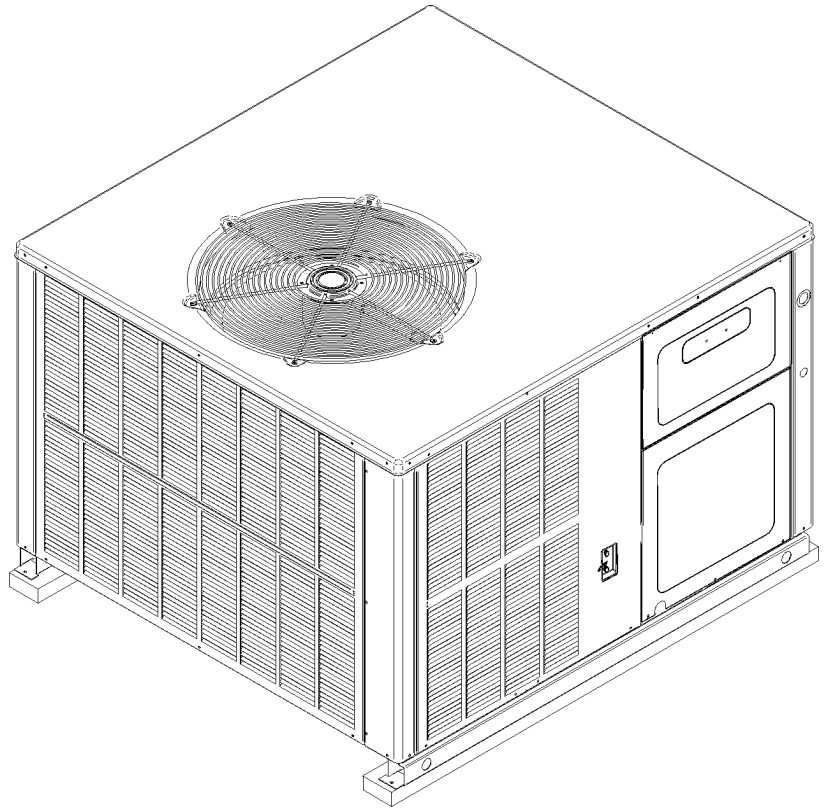


DP14CM Multi-Position Residential Package Cooling Unit

DP14CM2441AA
DP14CM2441AB
DP14CM3041AA
DP14CM3041AB
DP14CM3641AA
DP14CM3641AB
DP14CM4241AA
DP14CM4241AB
DP14CM4841AA
DP14CM4841AB
DP14CM6041AA
DP14CM6041AB



This manual is to be used by qualified technicians only.

This manual replaces RP-D3015.

© 2014,2016 **DAIKIN COMPANY, L.P.** ♦ 5151 San Felipe St., Suite 500 ♦ Houston, TX 77056

Important Information

Index

Functional Parts List	3
Illustration and Parts	4 - 11

Views shown are for parts illustrations only, not servicing procedures.

Text Codes:

AR - As Required

NA - Not Available

NS - Not Shown

00000000 - See Note

QTY - Quantity Example (QTY 3) (If Quantity not shown, Quantity = 1)

M - Model Example (M1) (If M Code not shown, then part is used on all Models)

Expanded Model Nomenclature:

Example M1 - Model#1 M2 - Model#2 M3 - Model#3

Daikin Company, L.P. is not responsible for personal injury or property damage resulting from improper service. Review all service information before beginning repairs.

Warranty service must be performed by an authorized technician, using authorized factory parts. If service is required after the warranty expires, Daikin Company, L.P. also recommends contacting an authorized technician and using authorized factory parts.

Daikin Company, L.P. reserves the right to discontinue, or change at any time, specifications or designs without notice or without incurring obligations.

For assistance within the U.S.A. contact:

Consumer Affairs Department
Daikin North America, LLC
7401 Security Way
Houston, Texas 77040
855-770-5678-Telephone
713-863-2382-Facsimile

For assistance outside the U.S.A. contact:

International Division
Daikin North America, LLC
7401 Security Way
Houston, Texas 77040
713-861-2500-Telephone
713-863-2382-Facsimile

Functional Parts

Part

No: Description:

D6723303	BLOWER WHEEL
CAP100700440CT	CAP, 10/70 MFD/ 440V/ DUAL RD (M11, M12)
CAP050350440CS	CAPACITOR 5/35/440V (M1, M2)
CAP050400440CT	CAPACITOR 5/40/440V/DUAL RD (M3, M4)
CAP050450440CT	CAPACITOR 5/45/440V/DUAL RD (M5, M6, M7, M8, M9, M10)
ZP49K5EPFV130	COMP,49400,208/230/60/1 (M11, M12)
ZP20K5EPFV130	COMPRESSOR 20000, 208/230/60/1 (M1, M2)
ZP25K5EPFV130	COMPRESSOR 25200, 208/230/60/1 (M3, M4)
ZP31K5EPFV130	COMPRESSOR 31100, 208/230/60/1 (M5, M6)
ZP34K5EPFV130	COMPRESSOR 34500, 208/230/60/1 (M7, M8)
ZP39K5EPFV130	COMPRESSOR 39000, 208/230/60/1 (M9, M10)
0131M00430	COND MOTOR 1/3 HP, 1 SP, 6 PL (M11, M12)
0131M00061	COND MOTOR 1/4 HP, 1 SP, 8 PL (M3, M4)
0131M00429	COND MOTOR 1/4 HP, 1 SP,6 PL (M5, M6, M7, M8, M9, M10)
0131M00009P	COND MOTOR 1/6 HP, 1 SP, 8 PL (M1, M2)
CONT1P025024V	CONTACTOR 25 AMP, 1P, 24V (M1, M2, M3, M4, M5, M6)
CONT1P030024V	CONTACTOR 30 AMP, 1P, 24V (M7, M8)
CONT2P040024V	CONTACTOR 40 AMP, 2P, 24V (M9, M10, M11, M12)
0130M00074	CUT-OUT SWITCH, HIGH PRESSURE
0150M00008	FAN BLADE 22" TNT2203-25 (M1, M2, M3, M4)
0150G00002	FAN BLADE SWEEP-WING (M5, M6, M7, M8, M9, M10, M11, M12)
0131G00052	PROGRAMMED MOTOR (M11, M12)
0131G00047	PROGRAMMED MOTOR (M1, M2)
0131G00048	PROGRAMMED MOTOR (M3, M4)
0131G00049	PROGRAMMED MOTOR (M5, M6)
0131G00050	PROGRAMMED MOTOR (M7, M8)
0131G00051	PROGRAMMED MOTOR (M9, M10)
0130M00138	TRANSFORMER 208/230, 24V

Expanded Model Nomenclature

M1 - DP14CM2441AA
M2 - DP14CM2441AB
M3 - DP14CM3041AA
M4 - DP14CM3041AB
M5 - DP14CM3641AA
M6 - DP14CM3641AB
M7 - DP14CM4241AA
M8 - DP14CM4241AB
M9 - DP14CM4841AA
M10 - DP14CM4841AB
M11 - DP14CM6041AA
M12 - DP14CM6041AB

Cabinet Assembly

Image 1

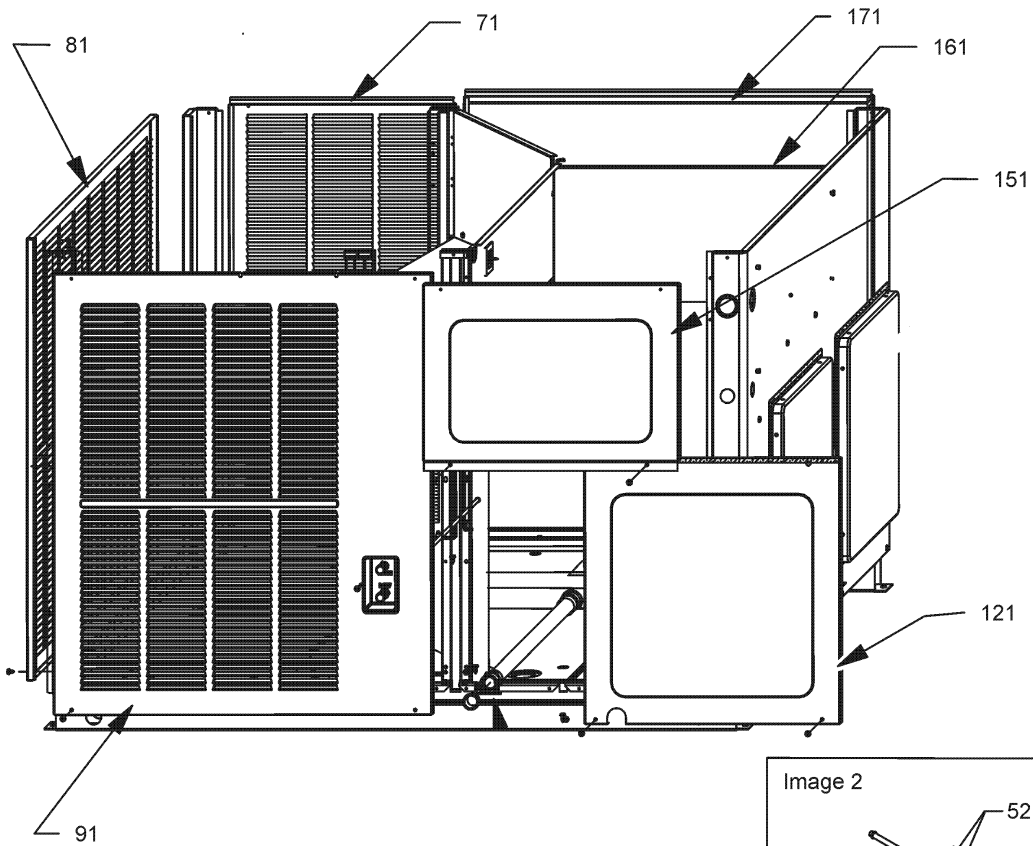
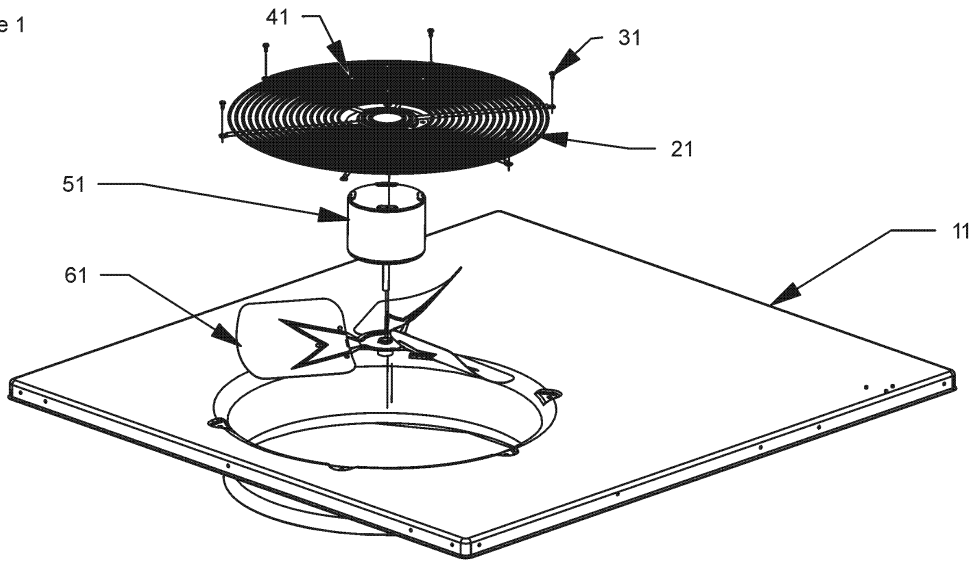
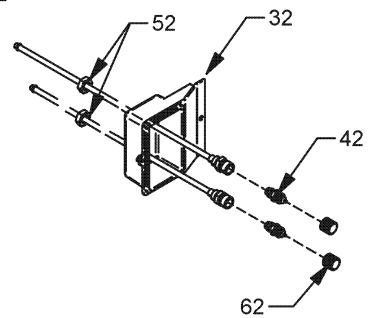


Image 2



Cabinet Assembly

Ref. Part No:	Part No:	Description:	Ref. Part No:	Part No:	Description:
Image 1:			Expanded Model Nomenclature		
11	0121G00156NG	PANEL, TOP, PNT	M1	-	DP14CM2441AA
21	0152G00000	FAN GRILLE, RAISED	M2	-	DP14CM2441AB
31	M0221817	SMALL SCREW (QTY 6)	M3	-	DP14CM3041AA
41	0163M00006P	ACORN NUT 5/16 HEX BLACK (QTY 4)	M4	-	DP14CM3041AB
51	0131M00430	COND MOTOR 1/3 HP, 1 SP, 6 PL (M11, M12)	M5	-	DP14CM3641AA
51	0131M00061	COND MOTOR 1/4 HP, 1 SP, 8 PL (M3, M4)	M6	-	DP14CM3641AB
51	0131M00429	COND MOTOR 1/4 HP, 1 SP, 6 PL (M5, M6, M7, M8, M9, M10)	M7	-	DP14CM4241AA
51	0131M00009P	COND MOTOR 1/6 HP, 1 SP, 8 PL (M1, M2)	M8	-	DP14CM4241AB
61	0150M00008	FAN BLADE 22" TNT2203-25 (M1, M2, M3, M4)	M9	-	DP14CM4841AA
61	0150G00002	FAN BLADE SWEPT-WING (M5, M6, M7, M8, M9, M10, M11, M12)	M10	-	DP14CM4841AB
71	20467701NG	LOUVERED PANEL, COND SIDE 32" (M1, M2, M3, M4, M7, M8)	M11	-	DP14CM6041AA
71	20467702NG	LOUVERED PANEL, COND SIDE 40" (M9, M10, M11, M12)	M12	-	DP14CM6041AB
71	0121G00465NG	PANEL, COND SIDE 32" (M5, M6)			
81	20464401NG	LOUVERED PANEL, COND SIDE 32" (M1, M2, M3, M4, M5, M6, M7, M8)			
81	20464402NG	LOUVERED PANEL, COND SIDE 40" (M9, M10, M11, M12)			
91	0121G00661NG	COMPRESSOR PANEL (M12)			
91	0121G00662NG	COMPRESSOR PANEL (M2, M4, M6, M8)			
91	0121G00663NG	COMPRESSOR PANEL (M10)			
91	0121G00147NG	LOUVERED PANEL, COMP SIDE 40" 4 BANK (M11)			
91	0121G00223NG	SOLID PANEL COMPRESSOR 32.5" (M1, M3, M5, M7)			
91	0121G00224NG	SOLID PANEL COMPRESSOR 40" (M9)			
121	0121G00165NG	PNL, BLO, CNVRT, 32.5", PNT (M1, M2, M3, M4, M5, M6, M7, M8)			
121	0121G00168NG	PNL, BLO, CNVRT, 40", PNT (M9, M10, M11, M12)			
151	0121G00213NG	CONTROL BOX PANEL			
161	0121G00591	BLK-OFF, EVAP, TOP, CNVRT (M9, M10, M11, M12)			
161	0121G00592	BLK-OFF, EVAP, TOP, CNVRT (M1, M2, M3, M4, M5, M6, M7, M8)			
171	20464801PDG	BLOWER DOOR 32" (M1, M2, M3, M4, M5, M6, M7, M8)			
171	20464806PDG	BLOWER DOOR 40" (M9, M10, M11, M12)			
NS	0164G00005	GROMMET-HORSESHOE 1.675 (M2, M4, M6, M8, M10, M12)			
NS	17788000083F	PVC CONDUIT 8.25"			
Image 2:					
32	0161G00008	ACCESS-FITTING BOX (M1, M3, M5, M7, M9, M11)			
42	B1373315	ACCESS FITTING (QTY 2)			
52	0163G00000P	FASTEST FITTING NUT (M1, M3, M5, M7, M9, M11)			
62	0163M00175	CAP WITH O-RING (QTY 2)			

Partition Panel/Compressor

Image 1

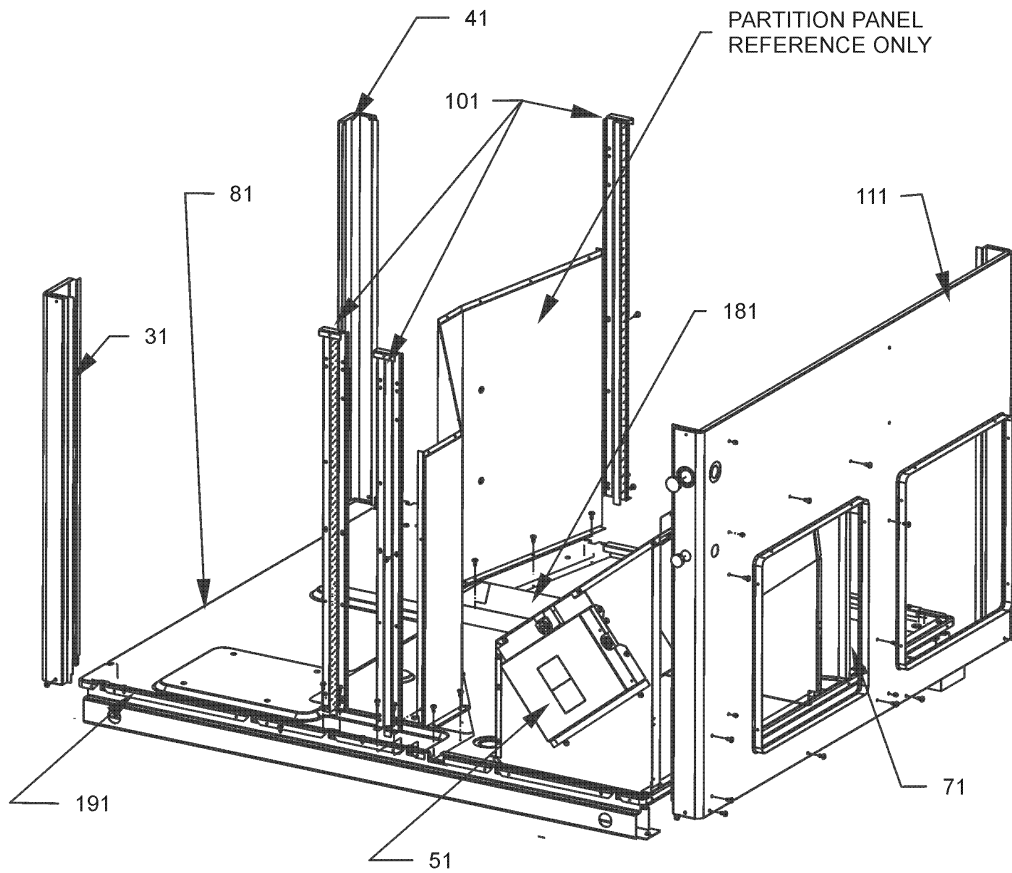
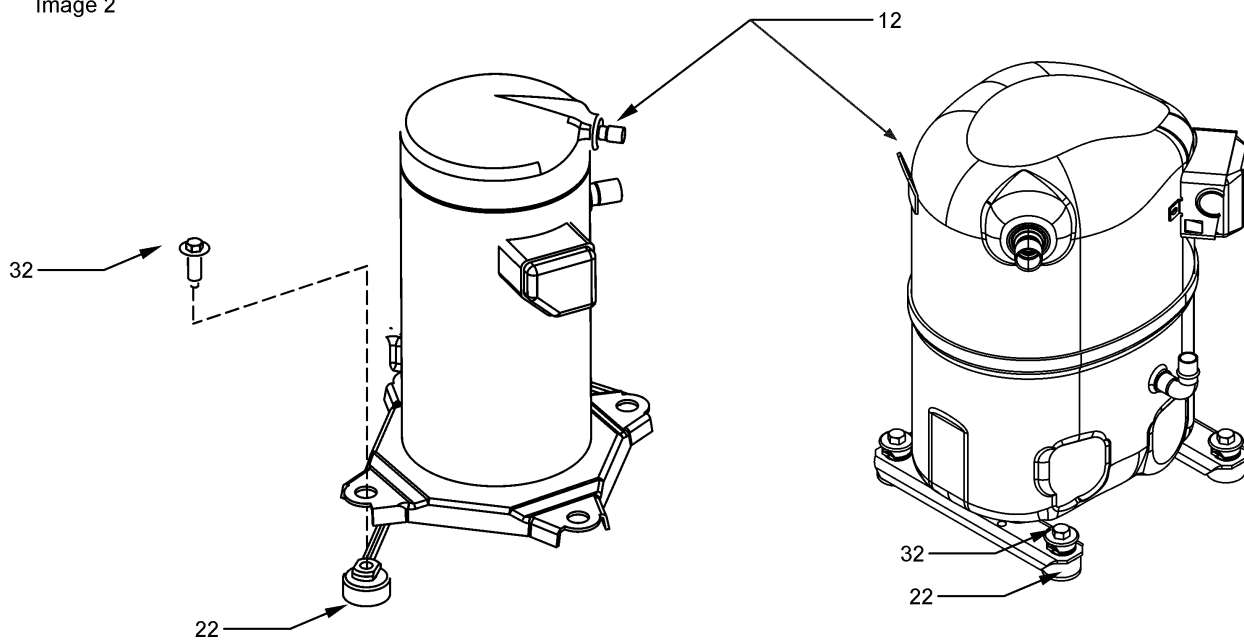


Image 2



Partition Panel/Compressor

Ref. Part No: No:	Description:	Ref. Part No: No:	Description:
-------------------	--------------	-------------------	--------------

Image 1:

31	20464202NG	CORNER POST-COMP END 40" (M9, M10, M11, M12)
31	0121G00453NG	CORNER-POST COMP END (M5, M6, M7, M8)
31	20464201NG	CORNER-POST COMP END 32" (M1, M2, M3, M4)
41	20464302NG	CORNER POST-HAIRPIN END 40" (M9, M10, M11, M12)
41	0121G00454NG	CORNER-POST HPIN END (M1, M2, M3, M4, M5, M6, M7, M8)
51	0121G00528	COVER, HK (QTY 2)
71	0121G00362	EVAP BLOCK OFF (M1, M2, M3, M4, M5, M6, M7, M8)
71	0121G00571	EVAP BLOCK OFF (M9, M10, M11, M12)
81	0121G00444	BASEPAN, PACKAGE
101	0121G00460	POST-SUPPORT, SIDE (M1, M2, M3, M4, M5, M6, M7, M8)
101	0121G00462	POST-SUPPORT, SIDE (M9, M10, M11, M12)
111	0121G00671NG	PNL, DUCT, CNVRT, 32.5" PNT (M1, M2, M3, M4, M5, M6, M7, M8)
111	0121G00672NG	PNL, DUCT, CNVRT, 40" PNT (M9, M10, M11, M12)
181	0161G00003	PLASTIC DRIP PAN
191	0121G00290	BASE PAN RAIL (QTY 2)
NS	0121G00235	FAN BAFFLE

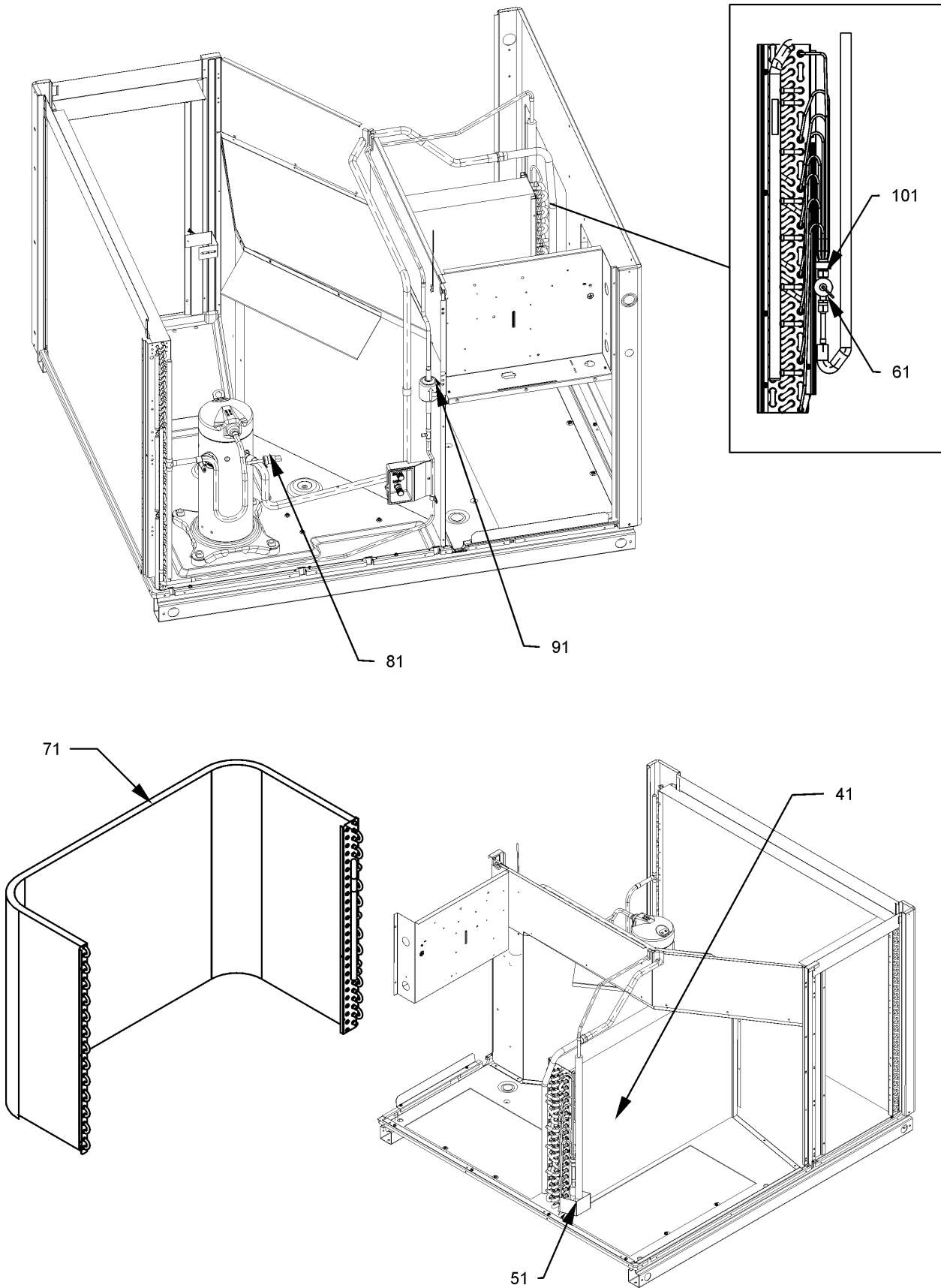
Image 2:

12	ZP49K5EPFV130	COMP.49400,208/230/60/1 (M11, M12)
12	ZP20K5EPFV130	COMPRESSOR 20000, 208/230/60/1 (M1, M2)
12	ZP25K5EPFV130	COMPRESSOR 25200, 208/230/60/1 (M3, M4)
12	ZP31K5EPFV130	COMPRESSOR 31100, 208/230/60/1 (M5, M6)
12	ZP34K5EPFV130	COMPRESSOR 34500, 208/230/60/1 (M7, M8)
12	ZP39K5EPFV130	COMPRESSOR 39000, 208/230/60/1 (M9, M10)
22	B1339533	COMPRESSOR GROMMET (QTY 4)
32	M0221641	TF SHOULDER SCREW (QTY 4)
NS	0159G00002	COMPRESSOR SCROLL HARNESS

Expanded Model Nomenclature

M1 - DP14CM2441AA
M2 - DP14CM2441AB
M3 - DP14CM3041AA
M4 - DP14CM3041AB
M5 - DP14CM3641AA
M6 - DP14CM3641AB
M7 - DP14CM4241AA
M8 - DP14CM4241AB
M9 - DP14CM4841AA
M10 - DP14CM4841AB
M11 - DP14CM6041AA
M12 - DP14CM6041AB

Coil/Evap Assembly



Coil/Evap Assembly

Ref. Part No:	No:	Description:	Ref. Part No:	No:	Description:
Image 1:					
41	0202G00542	EVAP COIL ASSY (M11, M12)			
41	0202G00573	EVAP COIL ASSY (M5, M6)			
41	0202G00574	EVAP COIL ASSY (M9, M10)			
41	0202G00576	EVAP COIL ASSY (M1, M2)			
41	0202G00705	EVAP COIL ASSY (M3, M4)			
41	0202G00706	EVAP COIL ASSY (M7, M8)			
51	0121G00509	DRIP SHIELD			
61	0151M00050	VALVE, NXT (M11, M12)			
71	0201G00139	COND COIL TUBING ASSY (M9, M10)			
71	0201G00142	COND COIL TUBING ASSY (M1, M2, M3, M4)			
71	0201G00249	COND COIL TUBING ASSY (M5, M6)			
71	0201G00262	COND COIL TUBING ASSY (M7, M8)			
71	0201G00340	COND COIL TUBING ASSY (M11, M12)			
81	0130M00074	CUT-OUT SWITCH, HIGH PRESSURE			
91	B1219212	SINGLE-FLOW FILTER DRIER, STEEL (M1, M2, M3, M4, M5, M6)			
91	B1219225	SINGLE-FLOW FILTER DRIER, STEEL (M7, M8, M9, M10, M11, M12)			
101	0162M00315	FLOWRATOR, AL (M1, M2)			
101	0162M00317	FLOWRATOR, AL (M5, M6)			
101	0162M00319	FLOWRATOR, AL (M7, M8)			
101	0162M00320	FLOWRATOR, AL (M9, M10)			
101	0162M00325	FLOWRATOR, AL (M11, M12)			
101	0162M00330	FLOWRATOR, AL (M3, M4)			

Expanded Model Nomenclature

M1 - DP14CM2441AA
M2 - DP14CM2441AB
M3 - DP14CM3041AA
M4 - DP14CM3041AB
M5 - DP14CM3641AA
M6 - DP14CM3641AB
M7 - DP14CM4241AA
M8 - DP14CM4241AB
M9 - DP14CM4841AA
M10 - DP14CM4841AB
M11 - DP14CM6041AA
M12 - DP14CM6041AB

Control Panel/Blower Assembly

Image 1

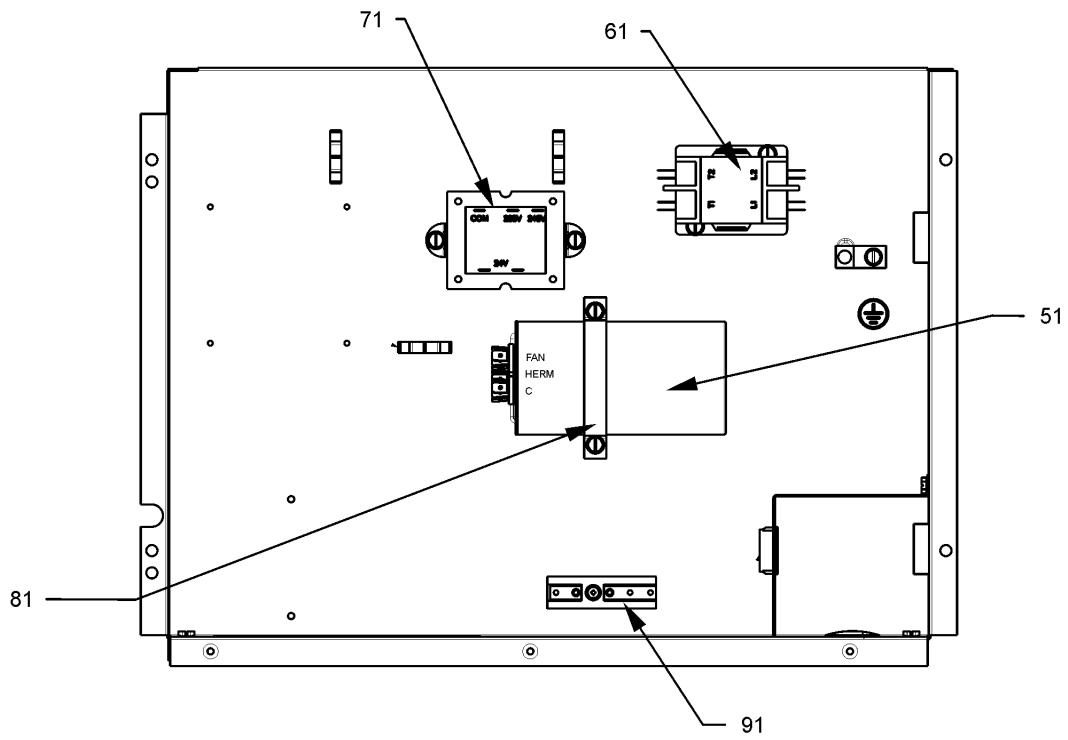
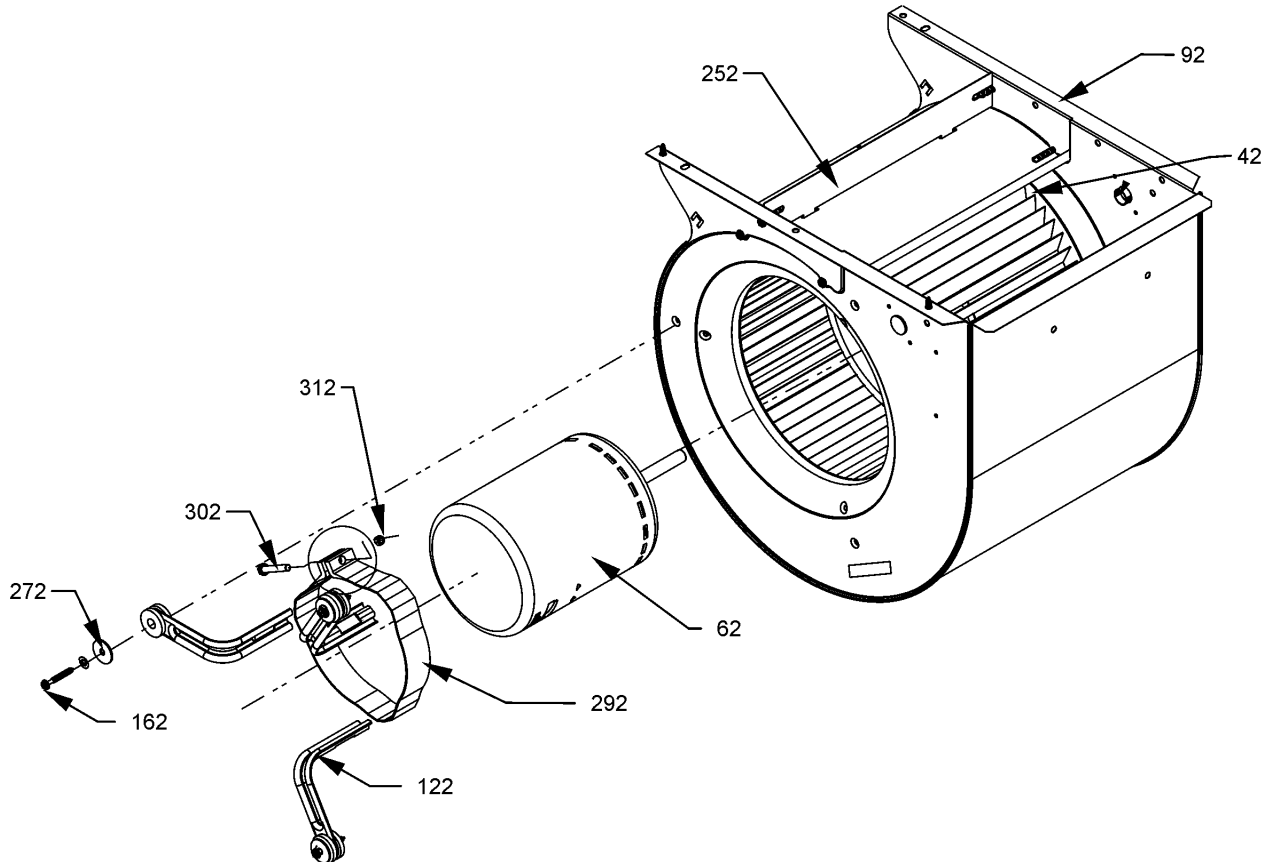


Image 2



Control Panel/Blower Assembly

Ref. Part No: No:	Description:	Ref. Part No: No:	Description:
-------------------	--------------	-------------------	--------------

Image 1:

51	CAP100700440CT	CAP, 10/70 MFD/ 440V/ DUAL RD (M11, M12)
51	CAP050350440CS	CAPACITOR 5/35/440V (M1, M2)
51	CAP050400440CT	CAPACITOR 5/40/440V/DUAL RD (M3, M4)
51	CAP050450440CT	CAPACITOR 5/45/440V/DUAL RD (M5, M6, M7, M8, M9, M10)
61	CONT1P025024V	CONTACTOR 25 AMP, 1P, 24V (M1, M2, M3, M4, M5, M6)
61	CONT1P030024V	CONTACTOR 30 AMP, 1P, 24V (M7, M8)
61	CONT2P040024V	CONTACTOR 40 AMP, 2P, 24V (M9, M10, M11, M12)
71	0130M00138	TRANSFORMER 208/230, 24V
81	20520901	CAPACITOR STRAP
91	802007090	TERM BOARD
NS	0259G00148	12-PIN FEMALE HARNESS
NS	0259G00181	WIRE HARNESS ASSY

Image 2:

42	D6723303	BLOWER WHEEL
62	0131G00047	PROGRAMMED MOTOR (M1, M2)
62	0131G00048	PROGRAMMED MOTOR (M3, M4)
62	0131G00049	PROGRAMMED MOTOR (M5, M6)
62	0131G00050	PROGRAMMED MOTOR (M7, M8)
62	0131G00051	PROGRAMMED MOTOR (M9, M10)
62	0131G00052	PROGRAMMED MOTOR (M11, M12)
92	0271G00024	BLOWER HOUSING ASSY 10 X 9
122	B1376857	MOTOR MOUNT ARM (QTY 3)
162	M0250565	TC SCREW 1.25" (QTY 3)
252	764742	BLOWER BLOCK-OFF
272	B1392918	WASHER, FLAT 1/4 ID X 1 OD (QTY 3)
292	0121M00038	MOTOR MOUNT BAND
302	B1393323	MACHINE SCREW HWH 1/4-20 X 1-1/2 BZ
312	B1393800	LOCKNUT, NYLON, INSERT 1/4, 20
NS	0259G00155	BLOWER HARNESS

Expanded Model Nomenclature

- | |
|--------------------|
| M1 - DP14CM2441AA |
| M2 - DP14CM2441AB |
| M3 - DP14CM3041AA |
| M4 - DP14CM3041AB |
| M5 - DP14CM3641AA |
| M6 - DP14CM3641AB |
| M7 - DP14CM4241AA |
| M8 - DP14CM4241AB |
| M9 - DP14CM4841AA |
| M10 - DP14CM4841AB |
| M11 - DP14CM6041AA |
| M12 - DP14CM6041AB |