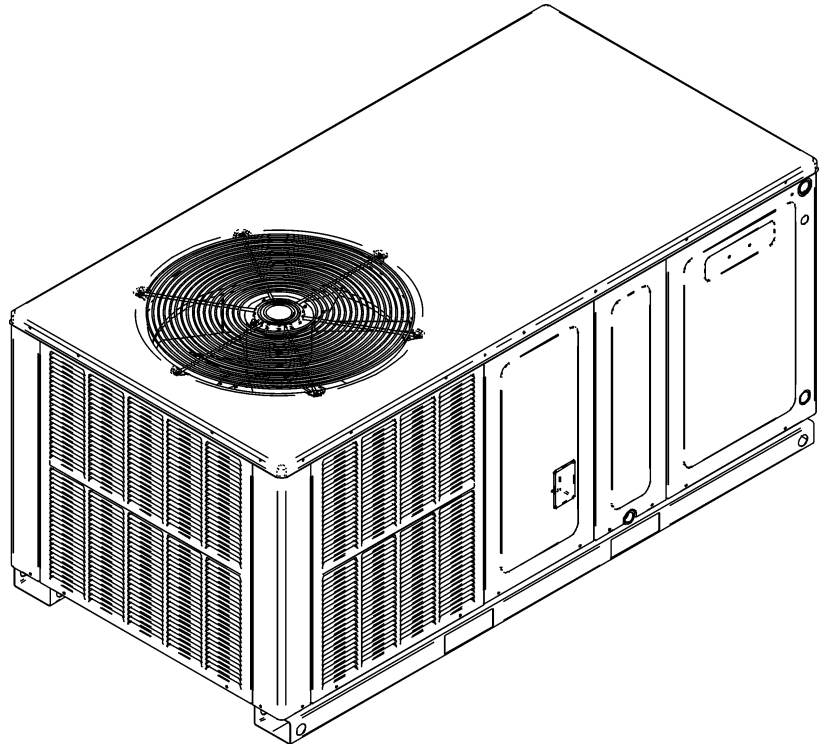


DP14CH Horizontal Package Cooling Unit

DP14CH2441AA
DP14CH2441BA
DP14CH2441BB
DP14CH2441BC
DP14CH3041AA
DP14CH3041BA
DP14CH3041BB
DP14CH3041BC
DP14CH3641AA
DP14CH3641AB
DP14CH3641AC
DP14CH3641AD
DP14CH4241AA
DP14CH4241BA
DP14CH4241BB
DP14CH4241BC
DP14CH4841AA
DP14CH4841BA
DP14CH4841BB
DP14CH4841BC
DP14CH6041AA
DP14CH6041BA
DP14CH6041BB
DP14CH6041BC



This manual is to be used by qualified technicians only.

This manual replaces RP-D3008B.

Important Information

Index

| | |
|------------------------------|--------|
| Functional Parts List | 3 |
| Illustration and Parts | 4 - 11 |

Views shown are for parts illustrations only, not servicing procedures

Text Codes:

AR - As Required

NA - Not Available

NS - Not Shown

00000000 - See Note

QTY - Quantity Example (QTY 3) (If Quantity not shown, Quantity = 1)

M - Model Example (M1) (If M Code not shown, then part is used on all Models)

Expanded Model Nomenclature:

| |
|---|
| Example M1 - Model#1 M2 - Model#2 M3 - Model#3 |
|---|

Daikin Company, L.P. is not responsible for personal injury or property damage resulting from improper service. Review all service information before beginning repairs.

Warranty service must be performed by an authorized technician, using authorized factory parts. If service is required after the warranty expires, Daikin Company, L.P. also recommends contacting an authorized technician and using authorized factory parts.

Daikin Company, L.P. reserves the right to discontinue, or change at any time, specifications or designs without notice or without incurring obligations.

For assistance within the U.S.A. contact:

Consumer Affairs Department

Daikin North America, LLC

7401 Security Way

Houston, Texas 77040

855-770-5678-Telephone

713-863-2382-Facsimile

For assistance outside the U.S.A. contact:

International Division

Daikin North America, LLC

7401 Security Way

Houston, Texas 77040

713-861-2500-Telephone

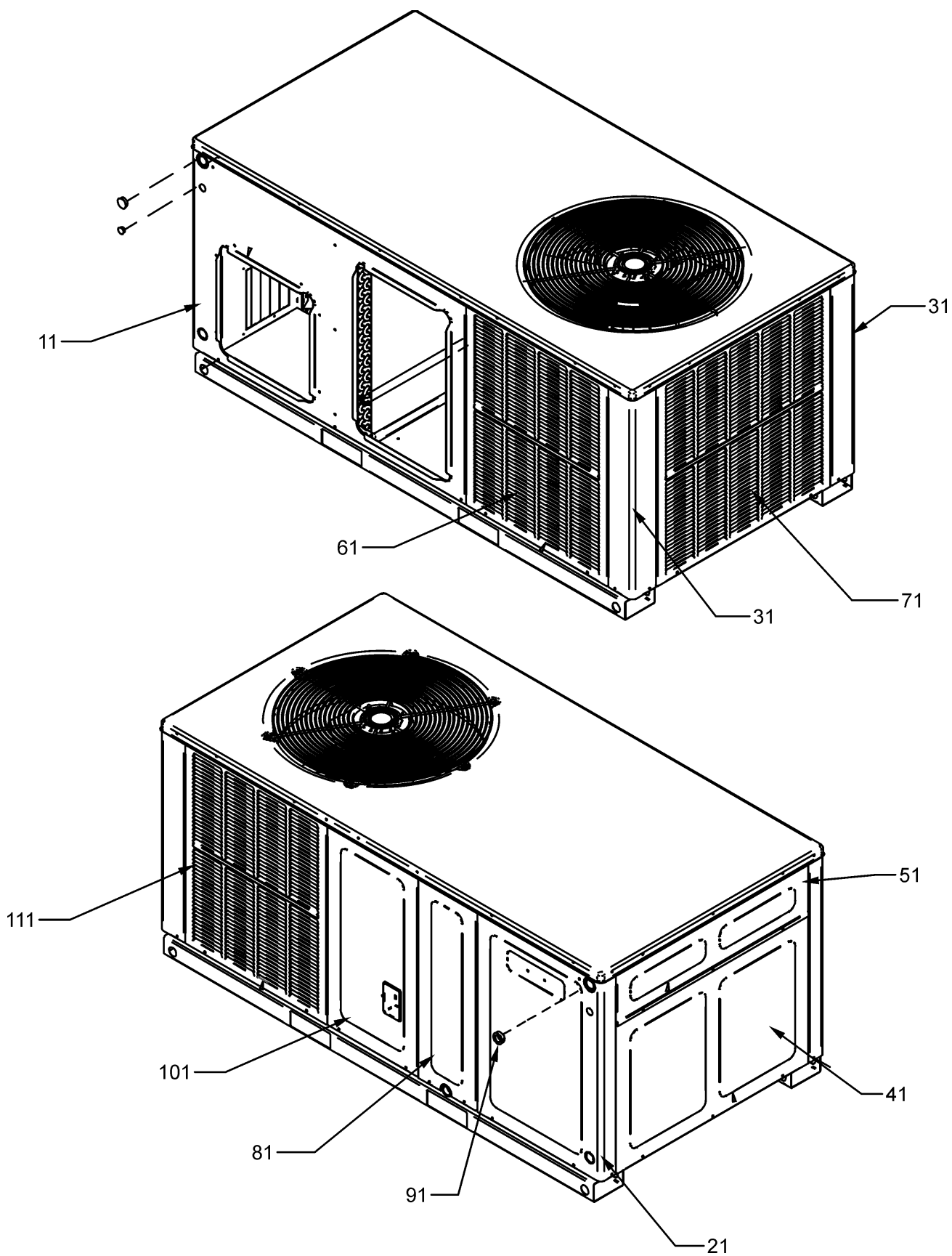
713-863-2382-Facsimile

Functional Parts

Part No: **Description:**

| Part No: | Description: | Expanded Model Nomenclature |
|----------------|---|-----------------------------|
| B1368016 | BLOWER WHEEL 10 X 8 (M1, M2, M3, M4, M5, M6, M7, M8, M9, M10, M11, M12, M13, M14, M15, M16, M17, M18, M19, M20) | M1 - DP14CH2441AA |
| B1368054 | BLOWER WHEEL 11 X 8 (M21, M22, M23, M24) | M2 - DP14CH2441BA |
| CAP050350440CS | CAPACITOR 5/35/440V (M1, M2, M3, M4) | M3 - DP14CH2441BB |
| CAP050400440CT | CAPACITOR 5/40/440V/DUAL RD (M5, M6, M7, M8) | M4 - DP14CH2441BC |
| CAP050450440CT | CAPACITOR 5/45/440V/DUAL RD (M9, M10, M11, M12, M13, M14, M15, M16, M17, M18, M19, M20) | M5 - DP14CH3041AA |
| CAP050700440CT | CAPACITOR 5/70/440V/DUAL RD (M21, M22, M23, M24) | M6 - DP14CH3041BA |
| ZP24K5EPFV130 | COMP,24000,208/230/60/1 (M5) | M7 - DP14CH3041BB |
| ZP20K5EPFV130 | COMPRESSOR 20000, 208/230/60/1 (M1, M2, M3, M4) | M8 - DP14CH3041BC |
| ZP25K5EPFV130 | COMPRESSOR 25200, 208/230/60/1 (M6, M7, M8) | M9 - DP14CH3641AA |
| ZP31K5EPFV130 | COMPRESSOR 31100, 208/230/60/1 (M9, M10, M11, M12) | M10 - DP14CH3641AB |
| ZP34K5EPFV130 | COMPRESSOR 34500, 208/230/60/1 (M13, M14, M15, M16) | M11 - DP14CH3641AC |
| ZP39K5EPFV130 | COMPRESSOR 39000, 208/230/60/1 (M17, M18, M19, M20) | M12 - DP14CH3641AD |
| ZP51K5EPFV130 | COMPRESSOR 51000, 208/230/60/1 (M21, M22, M23, M24) | M13 - DP14CH4241AA |
| 0131M00061 | COND MOTOR 1/4 HP, 1 SP, 8 PL (M9, M10, M11, M12) | M14 - DP14CH4241BA |
| 0131M00429 | COND MOTOR 1/4 HP, 1 SP,6 PL (M13, M14, M15, M16, M17, M18, M19, M20, M21, M22, M23, M24) | M15 - DP14CH4241BB |
| 0131M00009P | COND MOTOR 1/6 HP, 1 SP, 8 PL (M1, M2, M3, M4, M5, M6, M7, M8) | M16 - DP14CH4241BC |
| CONT1P025024V | CONTACTOR 25 AMP, 1P, 24V (M1, M2, M3, M4, M5, M6, M7, M8, M9, M10, M11, M12) | M17 - DP14CH4841AA |
| CONT1P030024V | CONTACTOR 30 AMP, 1P, 24V (M13, M14, M15, M16, M17, M18, M19, M20) | M18 - DP14CH4841BA |
| CONT2P040024V | CONTACTOR 40 AMP, 2P, 24V (M21, M22, M23, M24) | M19 - DP14CH4841BB |
| 0130M00074 | CUT-OUT SWITCH, HIGH PRESSURE (M21, M22, M23, M24) | M20 - DP14CH4841BC |
| 0150G00004 | FAN BLADE (M13, M14, M15, M16, M17, M18, M19, M20, M21, M22, M23, M24) | M21 - DP14CH6041AA |
| 0150G00005 | FAN BLADE (M1, M2, M3, M4, M5, M6, M7, M8) | M22 - DP14CH6041BA |
| B1086765 | FAN BLADE TYPE 3 (M9, M10, M11, M12) | M23 - DP14CH6041BB |
| 0131M00485 | PROGRAMMED MOTOR (M17) | M24 - DP14CH6041BC |
| 0131M00487 | PROGRAMMED MOTOR (M1, M2, M3, M4) | |
| 0131M00489 | PROGRAMMED MOTOR (M5, M6, M7, M8) | |
| 0131M00491 | PROGRAMMED MOTOR (M13) | |
| 0131M00495 | PROGRAMMED MOTOR (M21, M22, M23, M24) | |
| 0131M00596 | PROGRAMMED MOTOR (M9, M10, M11, M12) | |
| 0131G00034 | PROGRAMMED MOTOR (M14, M15, M16) | |
| 0131G00035 | PROGRAMMED MOTOR (M18, M19, M20) | |
| 0130M00138 | TRANSFORMER 208/230, 24V | |

Cabinet Assembly



Cabinet Assembly

| Ref. Part No: No: | Description: | Ref. Part No: No: | Description: |
|-------------------|---|------------------------------------|--------------|
| Image 1: | | Expanded Model Nomenclature | |
| 11 | 0121G00051NG DUCT PANEL 32.5" (M13, M18, M22) | M1 | DP14CH2441AA |
| 11 | 0121G00668NG DUCT PANEL 32.5" (M19, M20, M23, M24) | M2 | DP14CH2441BA |
| 11 | 0121G00084NG DUCT PANEL 36" (M17, M21) | M3 | DP14CH2441BB |
| 11 | 0121G00050NG DUCT PANEL 27.5" (M1, M2, M5, M6, M9, M10, M14) | M4 | DP14CH2441BC |
| 11 | 0121G00667NG DUCT PANEL 27.5" (M3, M4, M7, M8, M11, M12, M15, M16) | M5 | DP14CH3041AA |
| 21 | 0121G00521NG CORNER PANEL 27.5" (M1, M2, M5, M6, M9, M10, M14) | M6 | DP14CH3041BA |
| 21 | 0121G00664NG CORNER PANEL 27.5" (M3, M4, M7, M8, M11, M12, M15, M16) | M7 | DP14CH3041BB |
| 21 | 0121G00522NG CORNER PANEL 32.5" (M13, M18, M22) | M8 | DP14CH3041BC |
| 21 | 0121G00665NG CORNER PANEL 32.5" (M19, M20, M23, M24) | M9 | DP14CH3641AA |
| 21 | 0121G00523NG CORNER PANEL 36" (M17, M21) | M10 | DP14CH3641AB |
| 31 | 0121G00047NG CORNER POST 27.5" (M1, M5, M9, M10, M11, M12, M14, M15, M16) | M11 | DP14CH3641AC |
| 31 | 0121G00516NG CORNER POST 27.5" (M2, M3, M4, M6, M7, M8) | M12 | DP14CH3641AD |
| 31 | 0121G00048NG CORNER POST 32.5" (M13, M18, M19, M20, M22, M23, M24) | M13 | DP14CH4241AA |
| 31 | 0121G00082NG CORNER POST 36" (M17, M21) | M14 | DP14CH4241BA |
| 41 | 0121G00271NG EXTERNAL BLOWER PANEL 27.5" (M1, M2, M3, M4, M5, M6, M7, M8, M9, M10, M11, M12, M14, M15, M16) | M15 | DP14CH4241BB |
| 41 | 0121G00272NG EXTERNAL BLOWER PANEL 32.5" (M13, M18, M19, M20, M22, M23, M24) | M16 | DP14CH4241BC |
| 41 | 0121G00273NG EXTERNAL BLOWER PANEL 36" (M17, M21) | M17 | DP14CH4841AA |
| 51 | 0121G00276NG EXTERNAL CONTROL BOX PANEL | M18 | DP14CH4841BA |
| 61 | 0121G00069NG LOUVERED PANEL 4 BANK 27.5" (M1, M5, M9, M10, M11, M12, M14, M15, M16) | M19 | DP14CH4841BB |
| 61 | 0121G00517NG LOUVERED PANEL 4 BANK 27.5" (M2, M3, M4, M6, M7, M8) | M20 | DP14CH4841BC |
| 61 | 0121G00070NG LOUVERED PANEL 4 BANK 32.5" (M13, M18, M19, M20, M22, M23, M24) | M21 | DP14CH6041AA |
| 61 | 0121G00090NG LOUVERED PANEL 4 BANK 36" (M17, M21) | M22 | DP14CH6041BA |
| 71 | 0121G00072NG LOUVERED PANEL 5 BANK 27.5" (M1, M2, M3, M4, M5, M6, M7, M8, M9, M10, M11, M12, M14, M15, M16) | M23 | DP14CH6041BB |
| 71 | 0121G00073NG LOUVERED PANEL 5 BANK 32.5" (M13, M18, M19, M20, M22, M23, M24) | M24 | DP14CH6041BC |
| 71 | 0121G00091NG LOUVERED PANEL 5 BANK 36" (M17, M21) | | |
| 81 | 0121G00089NG PNL, EVAP 36" EXT RMV (M17, M21) | | |
| 81 | 0121G00065NG PNL, EVAP, 8.75"X27.5" (M1, M2, M3, M4, M5, M6, M7, M8, M9, M10, M11, M12, M14, M15, M16) | | |
| 81 | 0121G00066NG PNL, EVAP, 8.75"X32.5" (M13, M18, M19, M20, M22, M23, M24) | | |
| 91 | B1392012 GROMMET / HS 1.0 - .79 | | |
| 101 | 0121G00711NG COMPRESSOR PANEL (M4, M8) | | |
| 101 | 0121G00712NG COMPRESSOR PANEL (M20, M24) | | |
| 101 | 0121G00713NG COMPRESSOR PANEL (M12, M16) | | |
| 101 | 0121G00062NG COMPRESSOR PANEL 13.68" X 27.50" (M1, M5, M9, M10, M11, M14, M15) | | |
| 101 | 0121G00059NG COMPRESSOR PANEL 8.75" X 27.50" (M2, M3, M6, M7) | | |
| 101 | 0121G00060NG COMPRESSOR PANEL 8.75" X 32.50" (M13, M18, M19, M22, M23) | | |
| 101 | 0121G00087NG COMPRESSOR PANEL 8.75" X 36" (M17, M21) | | |
| 111 | 0121G00072NG LOUVERED PANEL 5 BANK 27.5" (M1, M2, M3, M4, M5, M6, M7, M8, M9, M10, M11, M12, M14, M15, M16) | | |
| 111 | 0121G00073NG LOUVERED PANEL 5 BANK 32.5" (M13, M18, M19, M20, M22, M23, M24) | | |
| 111 | 0121G00091NG LOUVERED PANEL 5 BANK 36" (M17, M21) | | |
| NS | 0164G00005 GROMMET-HORSESHOE 1.675 (M4, M8, M12, M16, M20, M24) | | |

Chassis and Compressor Assembly

Image 1

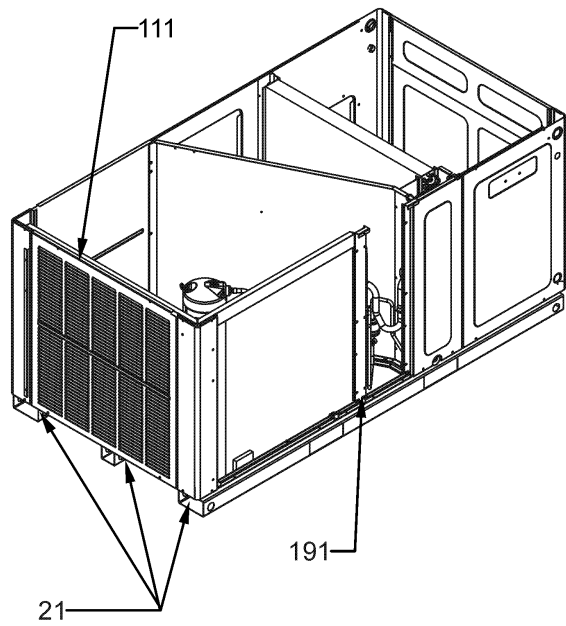
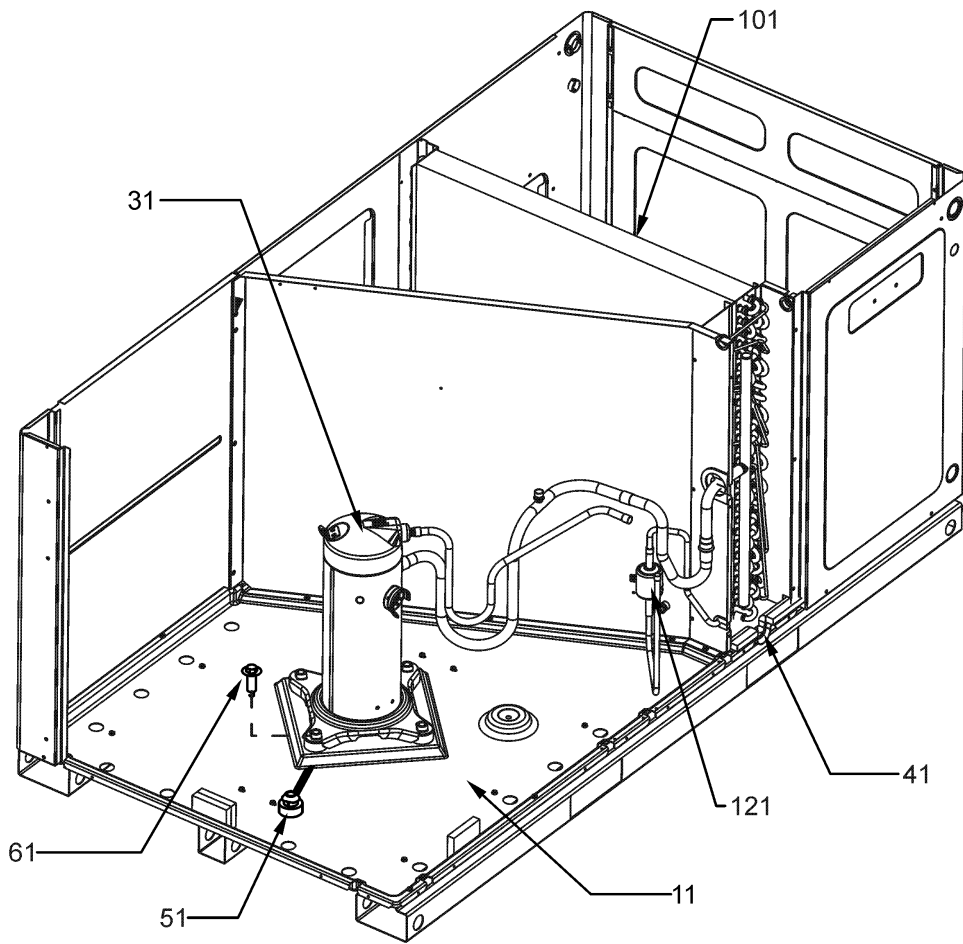
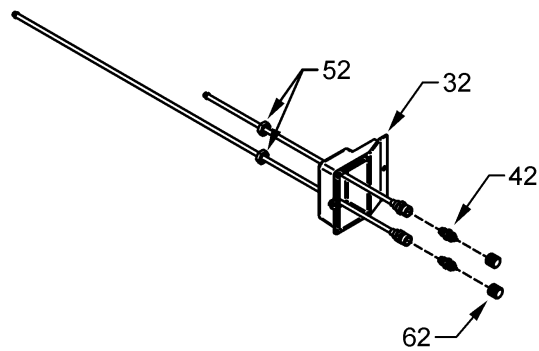


Image 2



Chassis and Compressor Assembly

| Ref. Part No: No: | Description: | Ref. Part No: No: | Description: | | | | | | | | | | | | | | | | | | | | | | | | |
|--------------------|---|--|---|-------------------|-------------------|-------------------|-------------------|-------------------|-------------------|-------------------|-------------------|-------------------|--------------------|--------------------|--------------------|--------------------|--------------------|--------------------|--------------------|--------------------|--------------------|--------------------|--------------------|--------------------|--------------------|--------------------|--------------------|
| Image 1: | | Image 1: | | | | | | | | | | | | | | | | | | | | | | | | | |
| 11 | 0121G00046P INSULATED ASSY, BASEPAN | NS | 0130M00074 CUT-OUT SWITCH, HIGH PRESSURE (M21, M22, M23, M24) | | | | | | | | | | | | | | | | | | | | | | | | |
| 21 | 0121G00044PRF BASEPAN RAIL (QTY 2) | NS | 0128G00052 EVAP DRIP SHIELD | | | | | | | | | | | | | | | | | | | | | | | | |
| 31 | ZP24K5EPFV130 COMP,24000,208/230/60/1 (M5) | NS | 0162M00197 FLOWRATOR (M21) | | | | | | | | | | | | | | | | | | | | | | | | |
| 31 | ZP20K5EPFV130 COMPRESSOR 20000, 208/230/60/1 (M1, M2, M3, M4) | NS | 0162M00160 FLOWRATOR [EVAP] (M2) | | | | | | | | | | | | | | | | | | | | | | | | |
| 31 | ZP25K5EPFV130 COMPRESSOR 25200, 208/230/60/1 (M6, M7, M8) | NS | 0162M00162 FLOWRATOR [EVAP] (M1) | | | | | | | | | | | | | | | | | | | | | | | | |
| 31 | ZP31K5EPFV130 COMPRESSOR 31100, 208/230/60/1 (M9, M10, M11, M12) | NS | 0162M00164 FLOWRATOR [EVAP] (M9, M10) | | | | | | | | | | | | | | | | | | | | | | | | |
| 31 | ZP34K5EPFV130 COMPRESSOR 34500, 208/230/60/1 (M13, M14, M15, M16) | NS | 0162M00165 FLOWRATOR [EVAP] (M13) | | | | | | | | | | | | | | | | | | | | | | | | |
| 31 | ZP39K5EPFV130 COMPRESSOR 39000, 208/230/60/1 (M17, M18, M19, M20) | NS | 0162M00166 FLOWRATOR [EVAP] (M14, M17, M18) | | | | | | | | | | | | | | | | | | | | | | | | |
| 31 | ZP51K5EPFV130 COMPRESSOR 51000, 208/230/60/1 (M21, M22, M23, M24) | NS | 0162M00192 FLOWRATOR [EVAP] (M5) | | | | | | | | | | | | | | | | | | | | | | | | |
| 41 | 0161G00000P DRIP PAN | NS | 0162M00283 FLOWRATOR [EVAP] (M6) | | | | | | | | | | | | | | | | | | | | | | | | |
| 51 | B1339530 COMPRESSOR GROMMET (M1, M2, M3, M4, M5) | NS | 0162M00296 FLOWRATOR [EVAP] (M11, M12) | | | | | | | | | | | | | | | | | | | | | | | | |
| 51 | B1339533 COMPRESSOR GROMMET (M6, M7, M8, M9, M10, M11, M12, M13, M14, M15, M16, M17, M18, M19, M20, M21, M22, M23, M24) | NS | 0162M00298 FLOWRATOR [EVAP] (M19, M20) | | | | | | | | | | | | | | | | | | | | | | | | |
| 61 | M0221641 TF SHOULDER SCREW (QTY 4) | NS | 0162M00320 FLOWRATOR [EVAP] (M15, M16) | | | | | | | | | | | | | | | | | | | | | | | | |
| 101 | 0202G00462 EVAP COIL ASSY (M6) | NS | 0162M00327 FLOWRATOR [EVAP] (M7, M8) | | | | | | | | | | | | | | | | | | | | | | | | |
| 101 | 0202G00477 EVAP COIL ASSY (M5) | NS | 0162M00332 FLOWRATOR [EVAP] (M22) | | | | | | | | | | | | | | | | | | | | | | | | |
| 101 | 0202G00478 EVAP COIL ASSY (M17) | NS | 0162M00363 FLOWRATOR [EVAP] (M3, M4) | | | | | | | | | | | | | | | | | | | | | | | | |
| 101 | 0202G00533 EVAP COIL ASSY (M14) | NS | 0162M00367 FLOWRATOR [EVAP] (M23, M24) | | | | | | | | | | | | | | | | | | | | | | | | |
| 101 | 0202G00534 EVAP COIL ASSY (M18) | NS | 0201G00183 TUBING ASSY, COND COIL (M5, M9, M10, M11, M12, M14, M15, M16) | | | | | | | | | | | | | | | | | | | | | | | | |
| 101 | 0202G00535 EVAP COIL ASSY (M22) | NS | 0201G00186 TUBING ASSY, COND COIL (M1) | | | | | | | | | | | | | | | | | | | | | | | | |
| 101 | 0202G00552 EVAP COIL ASSY (M11, M12) | Image 2: | | | | | | | | | | | | | | | | | | | | | | | | | |
| 101 | 0202G00626 EVAP COIL ASSY (M2) | 32 | 0161G00008 ACCESS-FITTING BOX (M1, M2, M3, M5, M6, M7, M9, M10, M11, M13, M14, M15, M17, M18, M19, M21, M22, M23) | | | | | | | | | | | | | | | | | | | | | | | | |
| 101 | 0202G00690 EVAP COIL ASSY (M15, M16) | 42 | B1373315 ACCESS FITTING (QTY 2) | | | | | | | | | | | | | | | | | | | | | | | | |
| 101 | 0202G00709 EVAP COIL ASSY (M3, M4) | 52 | 0163G00000P FASTEST FITTING NUT (M1, M2, M3, M5, M6, M7, M9, M10, M11, M13, M14, M15, M17, M18, M19, M21, M22, M23) | | | | | | | | | | | | | | | | | | | | | | | | |
| 101 | 0202G00710 EVAP COIL ASSY (M7, M8) | 62 | 0163M00175 CAP WITH O-RING (QTY 2) | | | | | | | | | | | | | | | | | | | | | | | | |
| 101 | 0202G00711 EVAP COIL ASSY (M19, M20) | Expanded Model Nomenclature | | | | | | | | | | | | | | | | | | | | | | | | | |
| 101 | 0202G00712 EVAP COIL ASSY (M23, M24) | <table border="1"> <tr><td>M1 - DP14CH2441AA</td></tr> <tr><td>M2 - DP14CH2441BA</td></tr> <tr><td>M3 - DP14CH2441BB</td></tr> <tr><td>M4 - DP14CH2441BC</td></tr> <tr><td>M5 - DP14CH3041AA</td></tr> <tr><td>M6 - DP14CH3041BA</td></tr> <tr><td>M7 - DP14CH3041BB</td></tr> <tr><td>M8 - DP14CH3041BC</td></tr> <tr><td>M9 - DP14CH3641AA</td></tr> <tr><td>M10 - DP14CH3641AB</td></tr> <tr><td>M11 - DP14CH3641AC</td></tr> <tr><td>M12 - DP14CH3641AD</td></tr> <tr><td>M13 - DP14CH4241AA</td></tr> <tr><td>M14 - DP14CH4241BA</td></tr> <tr><td>M15 - DP14CH4241BB</td></tr> <tr><td>M16 - DP14CH4241BC</td></tr> <tr><td>M17 - DP14CH4841AA</td></tr> <tr><td>M18 - DP14CH4841BA</td></tr> <tr><td>M19 - DP14CH4841BB</td></tr> <tr><td>M20 - DP14CH4841BC</td></tr> <tr><td>M21 - DP14CH6041AA</td></tr> <tr><td>M22 - DP14CH6041BA</td></tr> <tr><td>M23 - DP14CH6041BB</td></tr> <tr><td>M24 - DP14CH6041BC</td></tr> </table> | | M1 - DP14CH2441AA | M2 - DP14CH2441BA | M3 - DP14CH2441BB | M4 - DP14CH2441BC | M5 - DP14CH3041AA | M6 - DP14CH3041BA | M7 - DP14CH3041BB | M8 - DP14CH3041BC | M9 - DP14CH3641AA | M10 - DP14CH3641AB | M11 - DP14CH3641AC | M12 - DP14CH3641AD | M13 - DP14CH4241AA | M14 - DP14CH4241BA | M15 - DP14CH4241BB | M16 - DP14CH4241BC | M17 - DP14CH4841AA | M18 - DP14CH4841BA | M19 - DP14CH4841BB | M20 - DP14CH4841BC | M21 - DP14CH6041AA | M22 - DP14CH6041BA | M23 - DP14CH6041BB | M24 - DP14CH6041BC |
| M1 - DP14CH2441AA | | | | | | | | | | | | | | | | | | | | | | | | | | | |
| M2 - DP14CH2441BA | | | | | | | | | | | | | | | | | | | | | | | | | | | |
| M3 - DP14CH2441BB | | | | | | | | | | | | | | | | | | | | | | | | | | | |
| M4 - DP14CH2441BC | | | | | | | | | | | | | | | | | | | | | | | | | | | |
| M5 - DP14CH3041AA | | | | | | | | | | | | | | | | | | | | | | | | | | | |
| M6 - DP14CH3041BA | | | | | | | | | | | | | | | | | | | | | | | | | | | |
| M7 - DP14CH3041BB | | | | | | | | | | | | | | | | | | | | | | | | | | | |
| M8 - DP14CH3041BC | | | | | | | | | | | | | | | | | | | | | | | | | | | |
| M9 - DP14CH3641AA | | | | | | | | | | | | | | | | | | | | | | | | | | | |
| M10 - DP14CH3641AB | | | | | | | | | | | | | | | | | | | | | | | | | | | |
| M11 - DP14CH3641AC | | | | | | | | | | | | | | | | | | | | | | | | | | | |
| M12 - DP14CH3641AD | | | | | | | | | | | | | | | | | | | | | | | | | | | |
| M13 - DP14CH4241AA | | | | | | | | | | | | | | | | | | | | | | | | | | | |
| M14 - DP14CH4241BA | | | | | | | | | | | | | | | | | | | | | | | | | | | |
| M15 - DP14CH4241BB | | | | | | | | | | | | | | | | | | | | | | | | | | | |
| M16 - DP14CH4241BC | | | | | | | | | | | | | | | | | | | | | | | | | | | |
| M17 - DP14CH4841AA | | | | | | | | | | | | | | | | | | | | | | | | | | | |
| M18 - DP14CH4841BA | | | | | | | | | | | | | | | | | | | | | | | | | | | |
| M19 - DP14CH4841BB | | | | | | | | | | | | | | | | | | | | | | | | | | | |
| M20 - DP14CH4841BC | | | | | | | | | | | | | | | | | | | | | | | | | | | |
| M21 - DP14CH6041AA | | | | | | | | | | | | | | | | | | | | | | | | | | | |
| M22 - DP14CH6041BA | | | | | | | | | | | | | | | | | | | | | | | | | | | |
| M23 - DP14CH6041BB | | | | | | | | | | | | | | | | | | | | | | | | | | | |
| M24 - DP14CH6041BC | | | | | | | | | | | | | | | | | | | | | | | | | | | |
| 101 | 0202G00465 TUBING ASSY, EVAP COIL (M1) | | | | | | | | | | | | | | | | | | | | | | | | | | |
| 101 | 0202G00468 TUBING ASSY, EVAP COIL (M9, M10) | | | | | | | | | | | | | | | | | | | | | | | | | | |
| 101 | 0202G00470 TUBING ASSY, EVAP COIL (M13) | | | | | | | | | | | | | | | | | | | | | | | | | | |
| 101 | 0202G00518 TUBING ASSY, EVAP COIL (M21) | | | | | | | | | | | | | | | | | | | | | | | | | | |
| 111 | 0121G00368 CONDENSER COIL BLOCKOFF (M1, M5, M9, M10, M11, M12, M14, M15, M16) | | | | | | | | | | | | | | | | | | | | | | | | | | |
| 111 | 0121G00372 CONDENSER COIL BLOCKOFF (M13, M17, M18, M19, M20, M21, M22, M23, M24) | | | | | | | | | | | | | | | | | | | | | | | | | | |
| 111 | 0121G00519 CONDENSER COIL BLOCKOFF (M2, M3, M4, M6, M7, M8) | | | | | | | | | | | | | | | | | | | | | | | | | | |
| 121 | B1219212 SINGLE-FLOW FILTER DRIER, STEEL (M1, M2, M3, M4, M5, M6, M7, M8, M9, M10, M11, M12) | | | | | | | | | | | | | | | | | | | | | | | | | | |
| 121 | B1219225 SINGLE-FLOW FILTER DRIER, STEEL (M13, M14, M15, M16, M17, M18, M19, M20, M21, M22, M23, M24) | | | | | | | | | | | | | | | | | | | | | | | | | | |
| 191 | 0121G00045P POST 27.5" (M1, M2, M3, M4, M5, M6, M7, M8, M9, M10, M11, M12, M14, M15, M16) | | | | | | | | | | | | | | | | | | | | | | | | | | |
| 191 | 0121G00079P POST 32.5" (M13, M18, M19, M20, M22) | | | | | | | | | | | | | | | | | | | | | | | | | | |
| 191 | 0121G00083P POST 36" (M17, M21) | | | | | | | | | | | | | | | | | | | | | | | | | | |
| 191 | 0121G00565 SIDE POST 32.5" (M23, M24) | | | | | | | | | | | | | | | | | | | | | | | | | | |
| NS | 0159G00004 COMPRESSOR SCROLL HARNESS | | | | | | | | | | | | | | | | | | | | | | | | | | |
| NS | B1488806 COMPRESSOR SOUND BLANKET (M2, M3, M4, M6, M7, M8, M9, M10, M11, M12) | | | | | | | | | | | | | | | | | | | | | | | | | | |
| NS | B1488807 COMPRESSOR SOUND BLANKET (M14, M15, M16, M18, M19, M20, M22, M23, M24) | | | | | | | | | | | | | | | | | | | | | | | | | | |
| NS | 0201G00188 CONDENSER COIL ASSY (M13, M18, M19, M20) | | | | | | | | | | | | | | | | | | | | | | | | | | |
| NS | 0201G00190 CONDENSER COIL ASSY (M17) | | | | | | | | | | | | | | | | | | | | | | | | | | |
| NS | 0201G00268 CONDENSER COIL ASSY (M21) | | | | | | | | | | | | | | | | | | | | | | | | | | |
| NS | 0201G00308 CONDENSER COIL ASSY (M2, M3, M4, M6, M7, M8) | | | | | | | | | | | | | | | | | | | | | | | | | | |
| NS | 0201G00334 CONDENSER COIL ASSY (M22, M23, M24) | | | | | | | | | | | | | | | | | | | | | | | | | | |

Top Panel and Control Box Assembly

Image 1

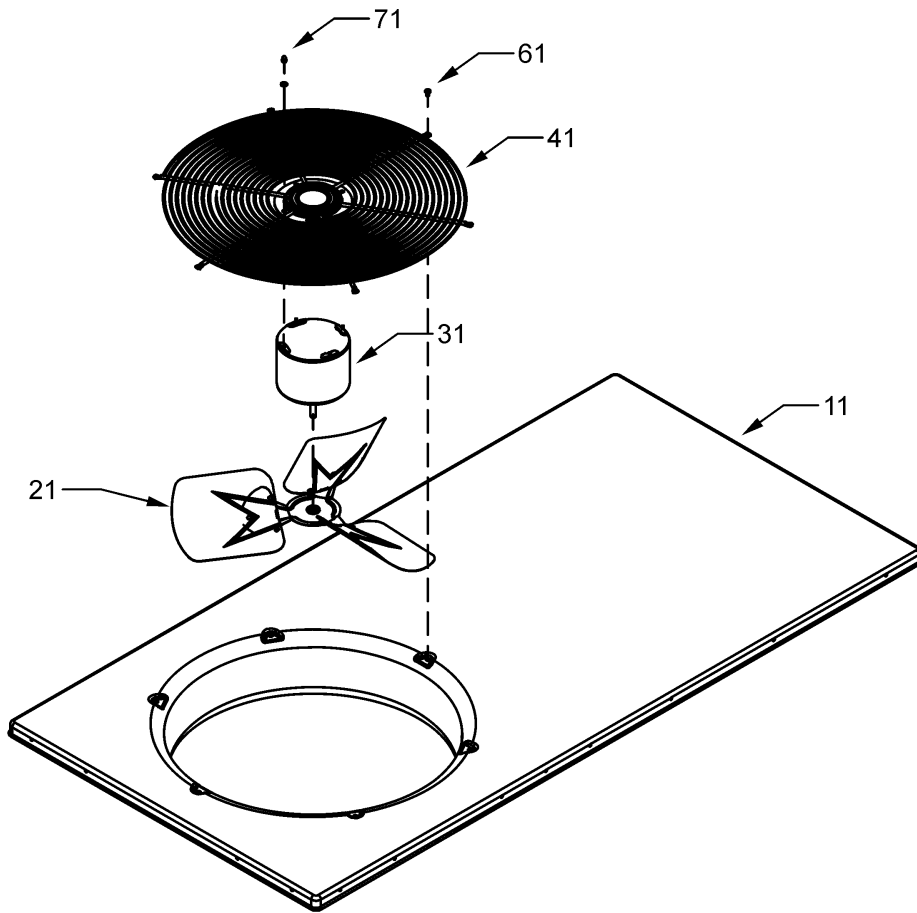
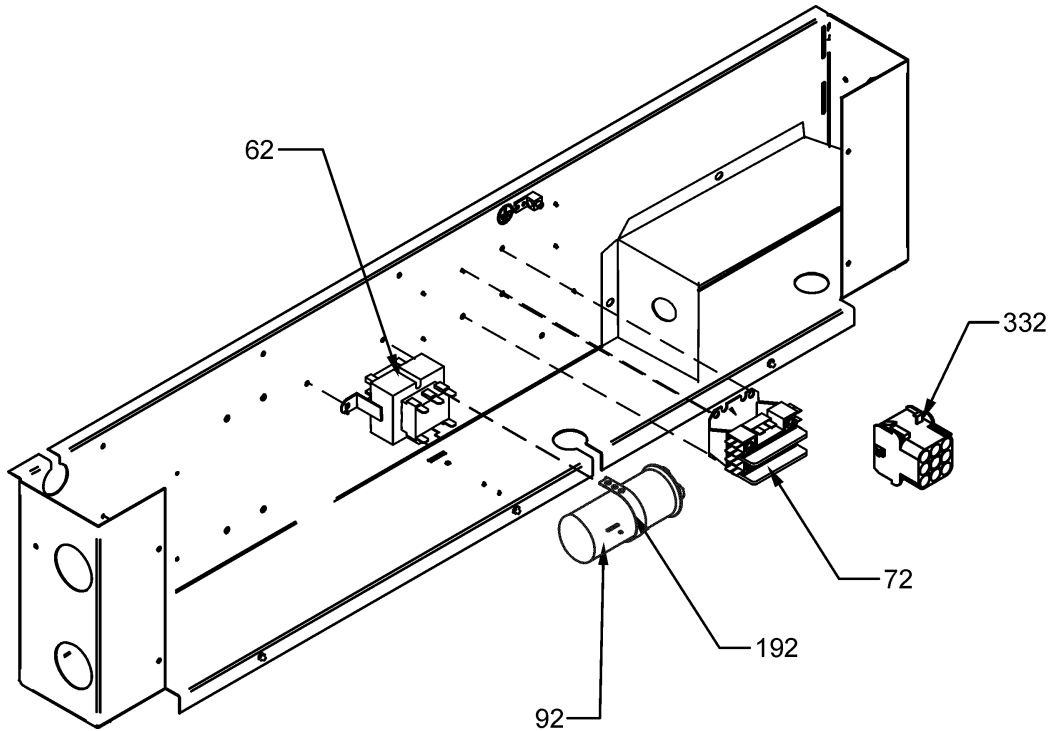


Image 2



Top Panel and Control Box Assembly

| Ref. Part No: No: | Description: | Ref. Part No: No: | Description: |
|-------------------|--------------|-------------------|--------------|
|-------------------|--------------|-------------------|--------------|

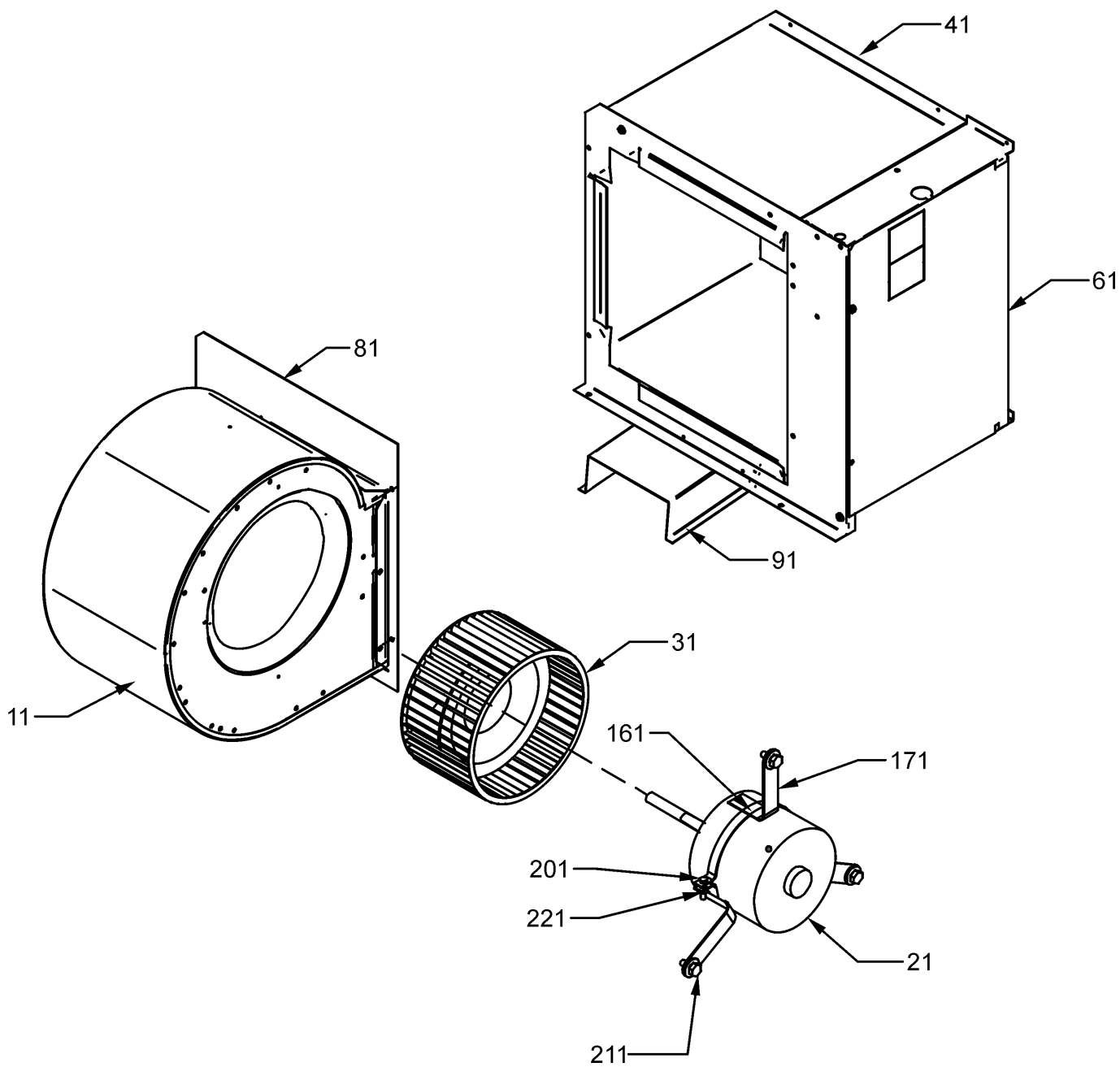
Image 1:

| | | |
|----|--------------|--|
| 11 | 0121G00274NG | TOP PANEL |
| 21 | 0150G00004 | FAN BLADE (M13, M14, M15, M16, M17, M18, M19, M20, M21, M22, M23, M24) |
| 21 | 0150G00005 | FAN BLADE (M1, M2, M3, M4, M5, M6, M7, M8) |
| 21 | B1086765 | FAN BLADE TYPE 3 (M9, M10, M11, M12) |
| 31 | 0131M00061 | COND MOTOR 1/4 HP, 1 SP, 8 PL (M9, M10, M11, M12) |
| 31 | 0131M00429 | COND MOTOR 1/4 HP, 1 SP, 6 PL (M13, M14, M15, M16, M17, M18, M19, M20, M21, M22, M23, M24) |
| 31 | 0131M00009P | COND MOTOR 1/6 HP, 1 SP, 8 PL (M1, M2, M3, M4, M5, M6, M7, M8) |
| 41 | 0152G00003 | FAN GRILLE |
| 61 | M0221817 | SMALL SCREW (QTY 4) |
| 71 | 0163M00006P | ACORN NUT 5/16 HEX BLACK (QTY 4) |
| NS | 17788000083F | PVC CONDUIT 8.25" |

Expanded Model Nomenclature

| |
|--------------------|
| M1 - DP14CH2441AA |
| M2 - DP14CH2441BA |
| M3 - DP14CH2441BB |
| M4 - DP14CH2441BC |
| M5 - DP14CH3041AA |
| M6 - DP14CH3041BA |
| M7 - DP14CH3041BB |
| M8 - DP14CH3041BC |
| M9 - DP14CH3641AA |
| M10 - DP14CH3641AB |
| M11 - DP14CH3641AC |
| M12 - DP14CH3641AD |
| M13 - DP14CH4241AA |
| M14 - DP14CH4241BA |
| M15 - DP14CH4241BB |
| M16 - DP14CH4241BC |
| M17 - DP14CH4841AA |
| M18 - DP14CH4841BA |
| M19 - DP14CH4841BB |
| M20 - DP14CH4841BC |
| M21 - DP14CH6041AA |
| M22 - DP14CH6041BA |
| M23 - DP14CH6041BB |
| M24 - DP14CH6041BC |

Blower Assembly



Blower Assembly

Ref. Part
No: No:

Description:

Ref. Part
No: No:

Description:

Image 1:

| | | |
|-----|-------------|---|
| 11 | 10324248 | BLOWER HOUSING 10 X 8 (M1, M2, M3, M4, M5, M6, M7, M8, M9, M10, M11, M12, M13, M14, M15, M16, M17, M18, M19, M20) |
| 11 | 0271G00017 | BLOWER HOUSING 11 X 8 (M21, M22, M23, M24) |
| 21 | 0131G00034 | PROGRAMMED MOTOR (M14, M15, M16) |
| 21 | 0131G00035 | PROGRAMMED MOTOR (M18, M19, M20) |
| 21 | 0131M00485 | PROGRAMMED MOTOR (M17) |
| 21 | 0131M00487 | PROGRAMMED MOTOR (M1, M2, M3, M4) |
| 21 | 0131M00489 | PROGRAMMED MOTOR (M5, M6, M7, M8) |
| 21 | 0131M00491 | PROGRAMMED MOTOR (M13) |
| 21 | 0131M00495 | PROGRAMMED MOTOR (M21, M22, M23, M24) |
| 21 | 0131M00596 | PROGRAMMED MOTOR (M9, M10, M11, M12) |
| 31 | B1368016 | BLOWER WHEEL 10 X 8 (M1, M2, M3, M4, M5, M6, M7, M8, M9, M10, M11, M12, M13, M14, M15, M16, M17, M18, M19, M20) |
| 31 | B1368054 | BLOWER WHEEL 11 X 8 (M21, M22, M23, M24) |
| 41 | 0270G00025P | TRANSITION DUCT ASSY-ALL |
| 61 | 0121G00039P | HEATER KIT COVER |
| 81 | 0121G00128P | BLOWER MOUNT (M21, M22, M23, M24) |
| 81 | 0121G00035P | BLOWER MOUNT 10 X 8 (M1, M2, M3, M4, M5, M6, M7, M8, M9, M10, M11, M12, M13, M14, M15, M16, M17, M18, M19, M20) |
| 91 | 0121G00040P | BLOWER SUPPORT |
| 161 | 0121M00038 | MOTOR MOUNT BAND |
| 171 | B1376853 | MOTOR MOUNT ARM (M1, M2, M3, M4, M5, M6, M7, M8, M9, M10, M11, M12, M13, M14, M15, M16, M17, M18, M19, M20) |
| 171 | B1376857 | MOTOR MOUNT ARM (M21, M22, M23, M24) |
| 201 | B1393323 | MACHINE SCREW HWH 1/4-20 X 1-1/2 BZ |
| 211 | M0250565 | TC SCREW 1.25" (QTY 3) |
| 221 | B1393800 | LOCKNUT, NYLON, INSERT 1/4, 20 |
| NS | C6121810 | BLOWER CUT-OFF (M1, M2, M3, M4, M5, M6, M7, M8, M9, M10, M11, M12, M13, M14, M15, M16, M17, M18, M19, M20) |
| NS | 2964700 | BLOWER CUT-OFF 11 X 8 (M21, M22, M23, M24) |

Expanded Model Nomenclature

| |
|--------------------|
| M1 - DP14CH2441AA |
| M2 - DP14CH2441BA |
| M3 - DP14CH2441BB |
| M4 - DP14CH2441BC |
| M5 - DP14CH3041AA |
| M6 - DP14CH3041BA |
| M7 - DP14CH3041BB |
| M8 - DP14CH3041BC |
| M9 - DP14CH3641AA |
| M10 - DP14CH3641AB |
| M11 - DP14CH3641AC |
| M12 - DP14CH3641AD |
| M13 - DP14CH4241AA |
| M14 - DP14CH4241BA |
| M15 - DP14CH4241BB |
| M16 - DP14CH4241BC |
| M17 - DP14CH4841AA |
| M18 - DP14CH4841BA |
| M19 - DP14CH4841BB |
| M20 - DP14CH4841BC |
| M21 - DP14CH6041AA |
| M22 - DP14CH6041BA |
| M23 - DP14CH6041BB |
| M24 - DP14CH6041BC |

Image 2:

| | | |
|-----|----------------|---|
| 62 | 0130M00138 | TRANSFORMER 208/230, 24V |
| 72 | CONT1P025024V | CONTACTOR 25 AMP, 1P, 24V (M1, M2, M3, M4, M5, M6, M7, M8, M9, M10, M11, M12) |
| 72 | CONT1P030024V | CONTACTOR 30 AMP, 1P, 24V (M13, M14, M15, M16, M17, M18, M19, M20) |
| 72 | CONT2P040024V | CONTACTOR 40 AMP, 2P, 24V (M21, M22, M23, M24) |
| 92 | CAP050350440CS | CAPACITOR 5/35/440V (M1, M2, M3, M4) |
| 92 | CAP050400440CT | CAPACITOR 5/40/440V/DUAL RD (M5, M6, M7, M8) |
| 92 | CAP050450440CT | CAPACITOR 5/45/440V/DUAL RD (M9, M10, M11, M12, M13, M14, M15, M16, M17, M18, M19, M20) |
| 92 | CAP050700440CT | CAPACITOR 5/70/440V/DUAL RD (M21, M22, M23, M24) |
| 192 | 20520901 | CAPACITOR STRAP |
| 332 | 0259G00021 | WIRE HARNESS, ELECTRIC HEAT |