

## DP14CH Horizontal Package Cooling Units

DP14CH2441BD  
DP14CH3041CA  
DP14CH3041CB  
DP14CH3641AF



This manual is to be used by qualified technicians only.

This manual replaces RP-D3304

# Important Information

---

## Index

Functional Parts List .....	3
Illustration and Parts .....	4 - 11

*Views shown are for parts illustrations only, not servicing procedures*

### Text Codes:

AR - As Required

NA - Not Available

NS - Not Shown

00000000 - See Note

QTY - Quantity Example (QTY 3) (If Quantity not shown, Quantity = 1)

M - Model Example (M1) (If M Code not shown, then part is used on all Models)

### Expanded Model Nomenclature:

Example M1 - Model#1 M2 - Model#2 M3 - Model#3
---

Daikin Manufacturing Company, L.P. is not responsible for personal injury or property damage resulting from improper service. Review all service information before beginning repairs.

Warranty service must be performed by an authorized technician, using authorized factory parts. If service is required after the warranty expires, Daikin Manufacturing Company, L.P. also recommends contacting an authorized technician and using authorized factory parts.

Daikin Manufacturing Company, L.P. reserves the right to discontinue, or change at any time, specifications or designs without notice or without incurring obligations.

For assistance within the U.S.A. contact:

Homeowner Support  
Daikin North America, LLC  
19001 Kermier Road  
Waller, Texas 77484  
855-770-5678-Telephone  
713-863-2382-Facsimile

For assistance outside the U.S.A. contact:

International Division  
Daikin North America, LLC  
19001 Kermier Road  
Waller, Texas 77484  
713-861-2500-Telephone  
713-863-2382-Facsimile

# Functional Parts

## Part

## No: Description:

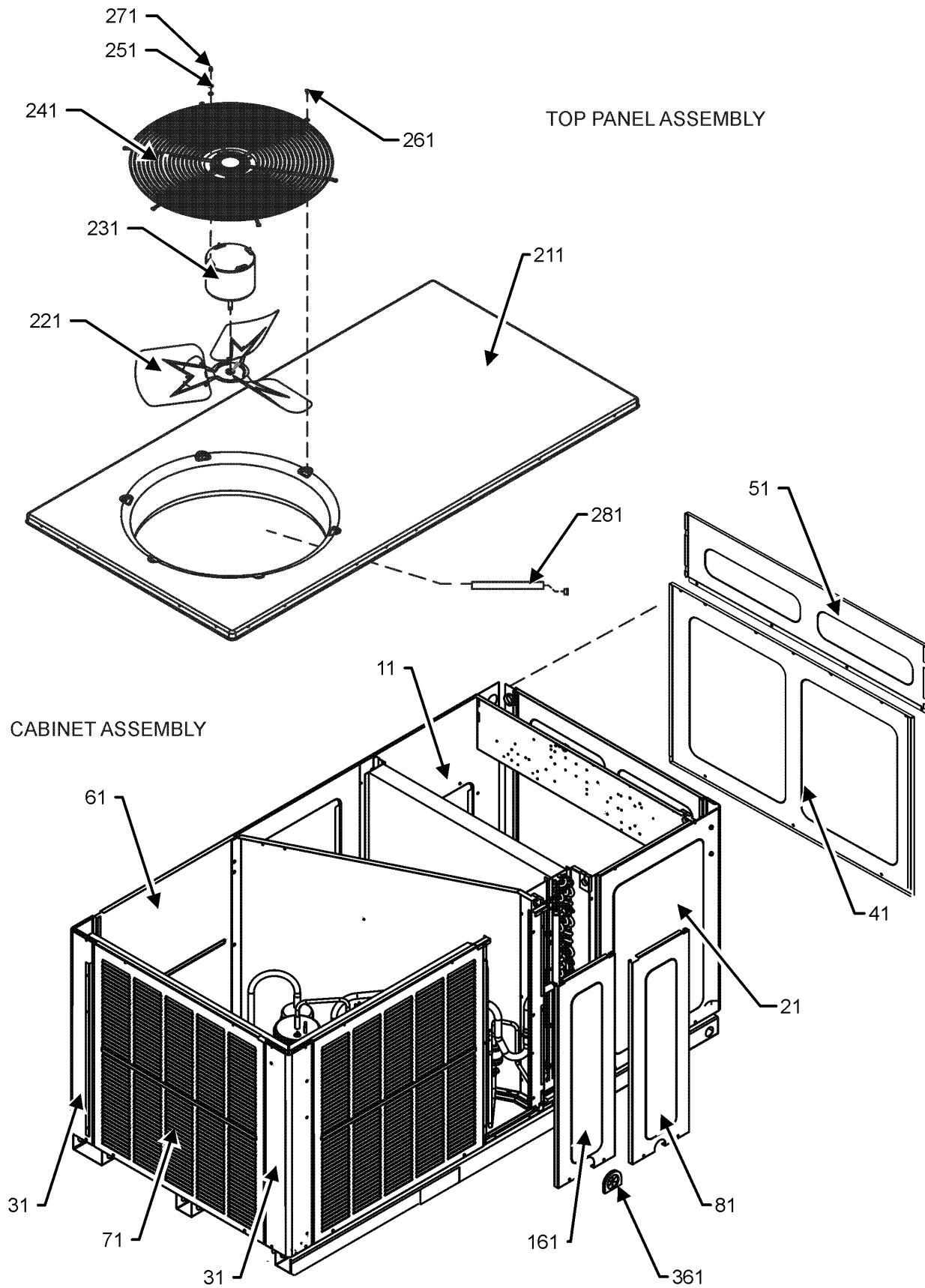
---

B1368016	BLOWER WHEEL 10 X 8
CAP050350440CS	CAP, 5/35 MFD/440V/DUAL RD (M1, M2, M3)
CAP050450440CT	CAP, 5/45 MFD/440V/DUAL RD (M4)
ZP25K6EPFV120	COMP, 34200, 208/230/60/1 (M2, M3)
ZP20K5EPFV130	COMP,20000,208/230/60/1 (M1)
ZP31K5EPFV130	COMP,31100,208/230/60/1 (M4)
CONT1P025024V	CONTACTOR 25 AMP, 1P, 24V
0131M00750M	CONTROLLERLESS MOTOR
0150M00055	FAN BLADE, 22" (M1, M2, M3)
B1086765	FAN BLADE, TYPE 3 (M4)
0131M00009P	MOTOR, 1/6 HP, 1 SP, 8 PL (M2)
0131M00753	MOTOR, 1/6HP, 1SP, 8PL, AL (M1, M3)
0131M00951	Motor, OD, PSC, 1/4 HP (M4)
0131M00488	PROGRAMMED CONTROLLER (M1)
0131M00597	PROGRAMMED CONTROLLER (M4)
0131M00869	PROGRAMMED CONTROLLER (M2, M3)
0130M00138	TRANSFORMER, 208/230, 24V

### Expanded Model Nomenclature

M1 - DP14CH2441BD
M2 - DP14CH3041CA
M3 - DP14CH3041CB
M4 - DP14CH3641AF

# Top Panel and Cabinet Assembly



# Top Panel and Cabinet Assembly

Ref. Part No: No:	Description:	Ref. Part No: No:	Description:
-------------------	--------------	-------------------	--------------

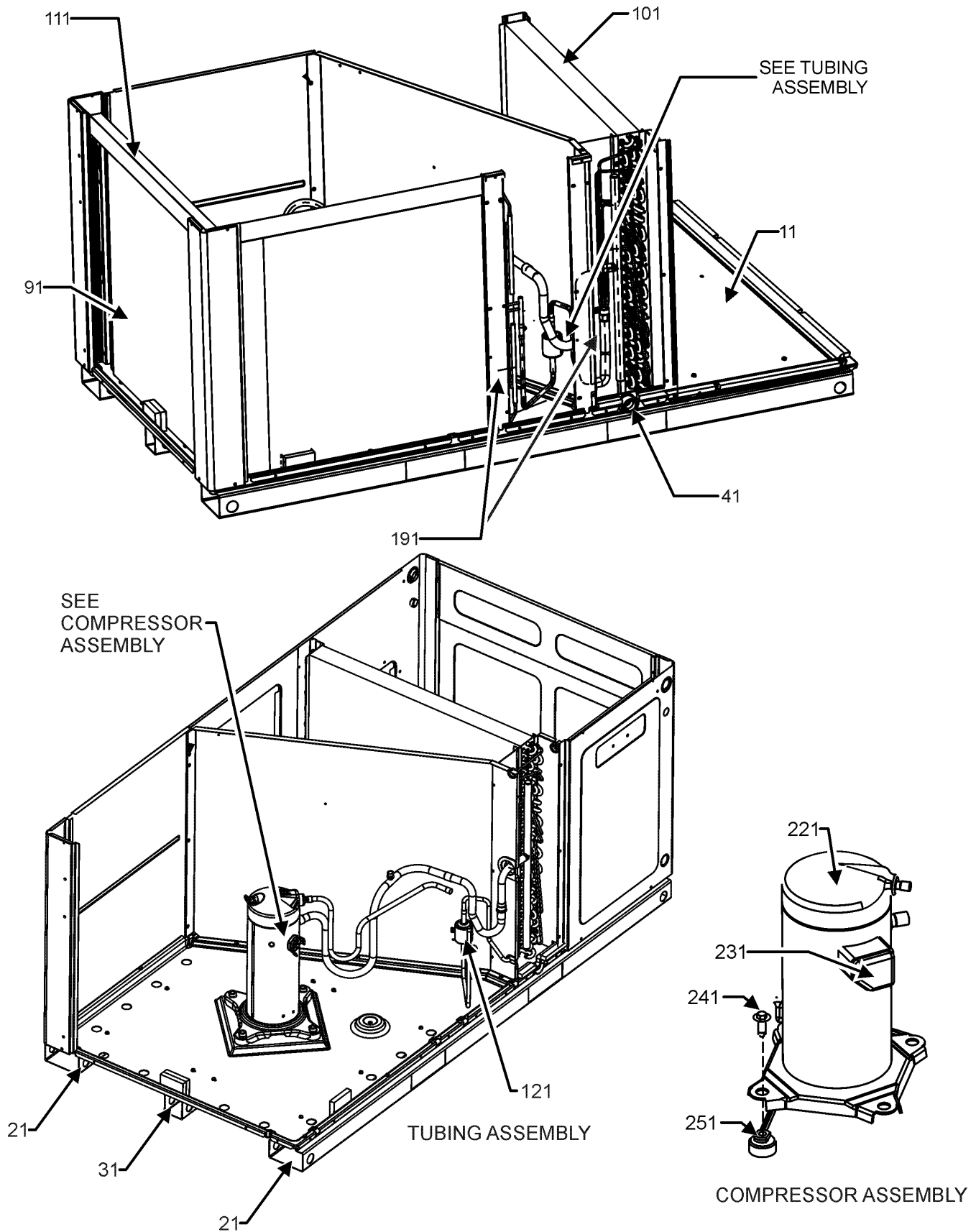
**Image 1:**

11	0121G00667NG	DUCT PANEL 27.5"
21	0121G00664NG	CORNER PANEL 27.5"
31	0121G00516NG	CORNER POST, 27.5" (M1, M2, M3)
31	0121G00047NG	POST, COR, 27.5" (M4)
41	0121G00271NG	EXTERNAL BLOWER PANEL 27.5"
51	0121G00276NG	EXTERNAL CONTROL BOX PANEL
61	0121G00517NG	PNL, NO LVR 27.5" PAINTED (M1, M2, M3)
71	0121G00072NG	PNL, LVR, 27.5" 5BANK (M4)
81	0121G00065NG	PNL, EVAP, 8.75" X 27.5"
161	0121G00711NG	PNT, COMPRESSOR PANEL (M1, M2, M3)
161	0121G00713NG	PNT, COMPRESSOR PANEL (M4)
211	0121G00274NG	TOP PANEL PAINTED
221	0150M00055	FAN BLADE, 22" (M1, M2, M3)
221	B1086765	FAN BLADE, TYPE 3 (M4)
231	0131M00009P	MOTOR, 1/6 HP, 1 SP, 8 PL (M2)
231	0131M00753	MOTOR, 1/6HP, 1SP, 8PL, AL (M1, M3)
231	0131M00951	Motor, OD, PSC, 1/4 HP (M4)
241	0152G00003	FAN GRILLE
251	0163M00005P	WASHER, BLACK (.50 OD .218ID) (QTY 4)
261	M0221817	SMALL SCREW (QTY 3)
271	0163M00006P	ACORN NUT 5/16 HEX BLACK (QTY 4)
281	0161G00016	CONDUIT PVC
361	0164G00005	GROMMET-HORSESHOE 1.675
NS	B1392012	GROMMET / HS 1.0 - .79

**Expanded Model Nomenclature**

M1 - DP14CH2441BD
M2 - DP14CH3041CA
M3 - DP14CH3041CB
M4 - DP14CH3641AF

# Tubing Assembly



# Tubing Assembly

Ref. Part No: No:	Description:	Ref. Part No: No:	Description:
-------------------	--------------	-------------------	--------------

**Image 1:**

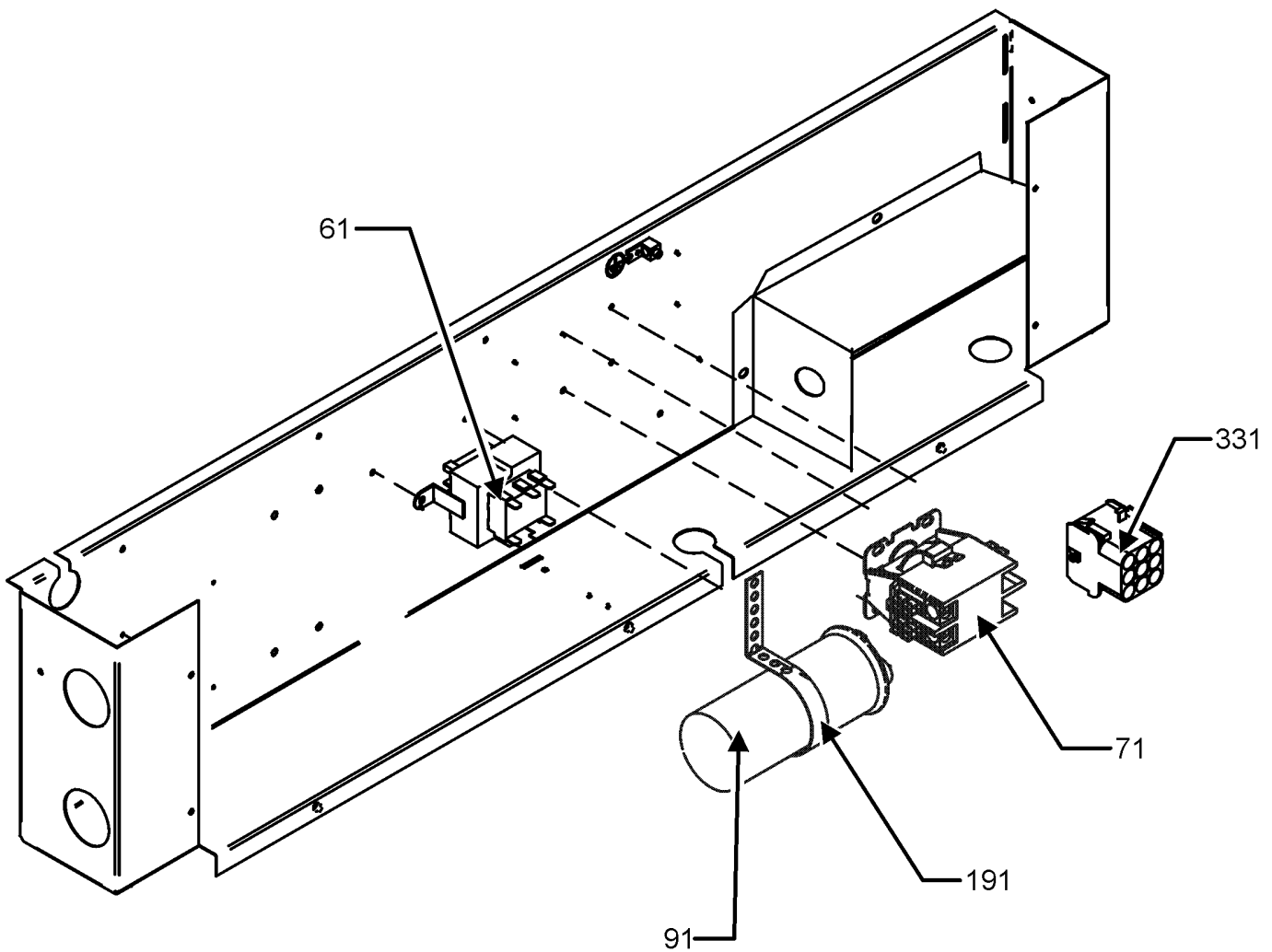
11	0121G00046P	PAN,BASE
21	0121G00044PRF	BASEPAN RAIL (QTY 2)
31	0121G00325	BASE PAN SUPPORT RAIL
41	0161G00000P	DRIP PAN
91	0201G00183	COND COIL ASSY (M4)
91	0201G00308	CONDENSER COIL ASSY (M1, M2, M3)
101	0202G00552	COIL TUBING ASSY (M4)
101	0202G00709	COIL TUBING ASSY (M1)
101	0202G00710	COIL TUBING ASSY (M2, M3)
111	0121G00368	CONDENSER COIL BLOCK OFF 2.3T (M4)
111	0121G00519	CONDENSER COIL BLOCKOFF (M1, M2, M3)
121	B1219212	SINGLE-FLOW FILTER DRIER, STEEL
191	0121G00045P	POST 27.5"
221	ZP25K6EPFV120	COMP, 34200, 208/230/60/1 (M2, M3)
221	ZP20K5EPFV130	COMP,20000,208/230/60/1 (M1)
221	ZP31K5EPFV130	COMP,31100,208/230/60/1 (M4)
231	0159G00004	COMPRESSOR SCROLL HARNESS
241	M0221641	TF SHOULDER SCREW (QTY 4)
251	B1339530	GROMMET, COMPRESSOR (M1)
251	B1339533	GROMMET, COMPRESSOR (SCROLL & (M2, M3, M4)
NS	B1373315	ACCESS FITTING (QTY 2)
NS	0163M00175	CAP WITH O-RING (QTY 2)
NS	0160M00038	COMPRESSOR BLANKET (M4)
NS	0160M00039	COMPRESSOR BLANKET (M1, M2, M3)
NS	0128G00052	EVAP DRIP SHIELD

**Expanded Model Nomenclature**

M1 - DP14CH2441BD
M2 - DP14CH3041CA
M3 - DP14CH3041CB
M4 - DP14CH3641AF

# Control Box Assembly

## CONTROL BOX ASSEMBLY



# Control Box Assembly

Ref. Part No:	No:	Description:	Ref. Part No:	No:	Description:
---------------	-----	--------------	---------------	-----	--------------

---

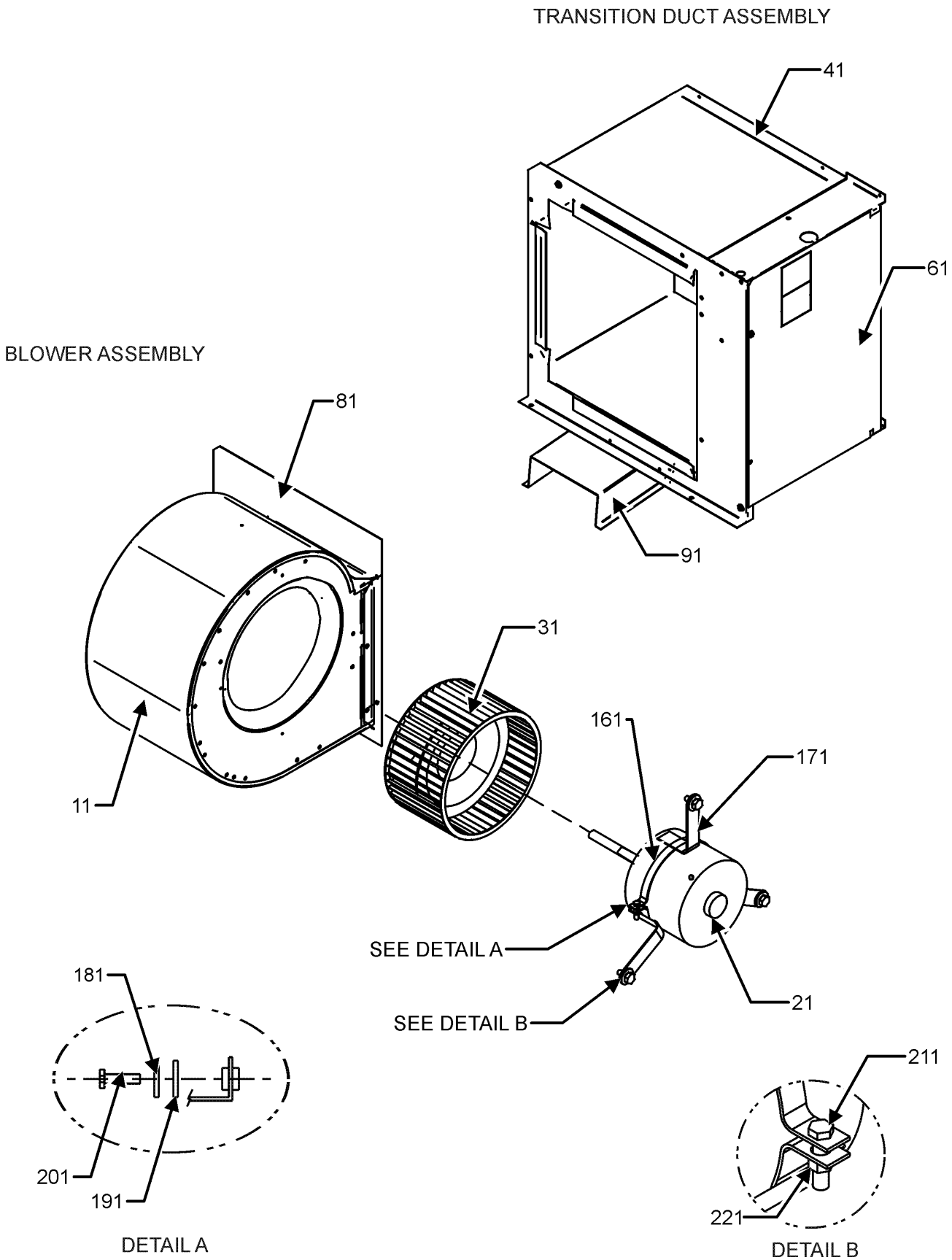
**Image 1:**

61	0130M00138	TRANSFORMER, 208/230, 24V
71	CONT1P025024V	CONTACTOR 25 AMP, 1P, 24V
91	CAP050350440CS	CAP, 5/35 MFD/440V/DUAL RD (M1, M2, M3)
91	CAP050450440CT	CAP, 5/45 MFD/440V/DUAL RD (M4)
191	20520901	CAPACITOR STRAP
331	0259G00021	WIRE HARNESS, ELECTRIC HEAT

**Expanded Model Nomenclature**

- |                   |
|-------------------|
| M1 - DP14CH2441BD |
| M2 - DP14CH3041CA |
| M3 - DP14CH3041CB |
| M4 - DP14CH3641AF |

# Blower and Transition Duct Assembly



# Blower and Transition Duct Assembly

Ref. Part No:	Ref. Part No:	Description:	Description:
---------------	---------------	--------------	--------------

**Image 1:**

11	10324248	HSG WELD- 10X8 BWR
21	0131M00750M	CONTROLLERLESS MOTOR
21	0131M00488	PROGRAMMED CONTROLLER (M1)
21	0131M00597	PROGRAMMED CONTROLLER (M4)
21	0131M00869	PROGRAMMED CONTROLLER (M2, M3)
31	B1368016	BLOWER WHEEL 10 X 8
41	0270G00025P	TRANSITION DUCT ASSY-ALL
61	0121G00726	HEATER KIT COVER
81	0121G00035P	BLOWER MOUNT 10 X 8
91	0121G00040P	BLOWER SUPPORT
161	0121M00038	MOTOR MOUNT BAND
171	B1376853	MOTOR MOUNT ARM (QTY 3)
181	B1392820	WASHER, SPLIT LOCK 1/4 BZ (QTY 3)
191	B1392918	WASHER, FLAT 1/4 ID X 1 OD (QTY 3)
201	M0250565	TC SCREW 1.25" (QTY 3)
211	B1393323	MACHINE SCREW HWH 1/4-20 X 1-1/2 BZ
221	B1393800	LOCKNUT, NYLON, INSERT 1/4, 20
NS	C6121810	BLOWER CUT-OFF

**Expanded Model Nomenclature**

M1 - DP14CH2441BD
M2 - DP14CH3041CA
M3 - DP14CH3041CB
M4 - DP14CH3641AF