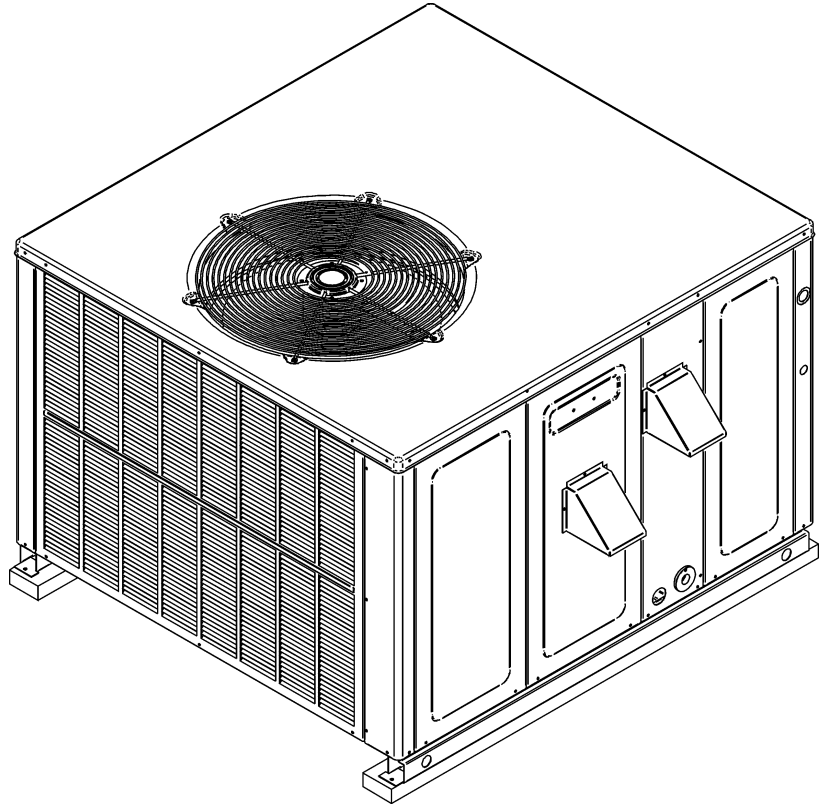


DP13GM Residential Package Gas Units 3-Phase

DP13GM3609043AA
DP13GM3609043AB
DP13GM4809043AA
DP13GM4809043AB
DP13GM6009043AA
DP13GM6009043AB
DP13GM6014043AA
DP13GM6014043AB



This manual is to be used by qualified technicians only.

This manual replaces RP-D3011B.

© 2015-2016 **DAIKIN COMPANY, L.P.** ♦ 5151 San Felipe St., Suite 500 ♦ Houston, TX 77056

Important Information

Index

Functional Parts List	3
Illustration and Parts	4 - 15

Views shown are for parts illustrations only, not servicing procedures

Text Codes:

AR - As Required

NA - Not Available

NS - Not Shown

00000000 - See Note

QTY - Quantity Example (QTY 3) (If Quantity not shown, Quantity = 1)

M - Model Example (M1) (If M Code not shown, then part is used on all Models)

Expanded Model Nomenclature:

Example M1 - Model#1 M2 - Model#2 M3 - Model#3

Daikin Company, L.P. is not responsible for personal injury or property damage resulting from improper service. Review all service information before beginning repairs.

Warranty service must be performed by an authorized technician, using authorized factory parts. If service is required after the warranty expires, Daikin Company, L.P. also recommends contacting an authorized technician and using authorized factory parts.

Daikin Company, L.P. reserves the right to discontinue, or change at any time, specifications or designs without notice or without incurring obligations.

For assistance within the U.S.A. contact:

Consumer Affairs Department

Daikin North America, LLC

7401 Security Way

Houston, Texas 77040

855-770-5678-Telephone

713-863-2382-Facsimile

For assistance outside the U.S.A. contact:

International Division

Daikin North America, LLC

7401 Security Way

Houston, Texas 77040

713-861-2500-Telephone

713-863-2382-Facsimile

Functional Parts

Part

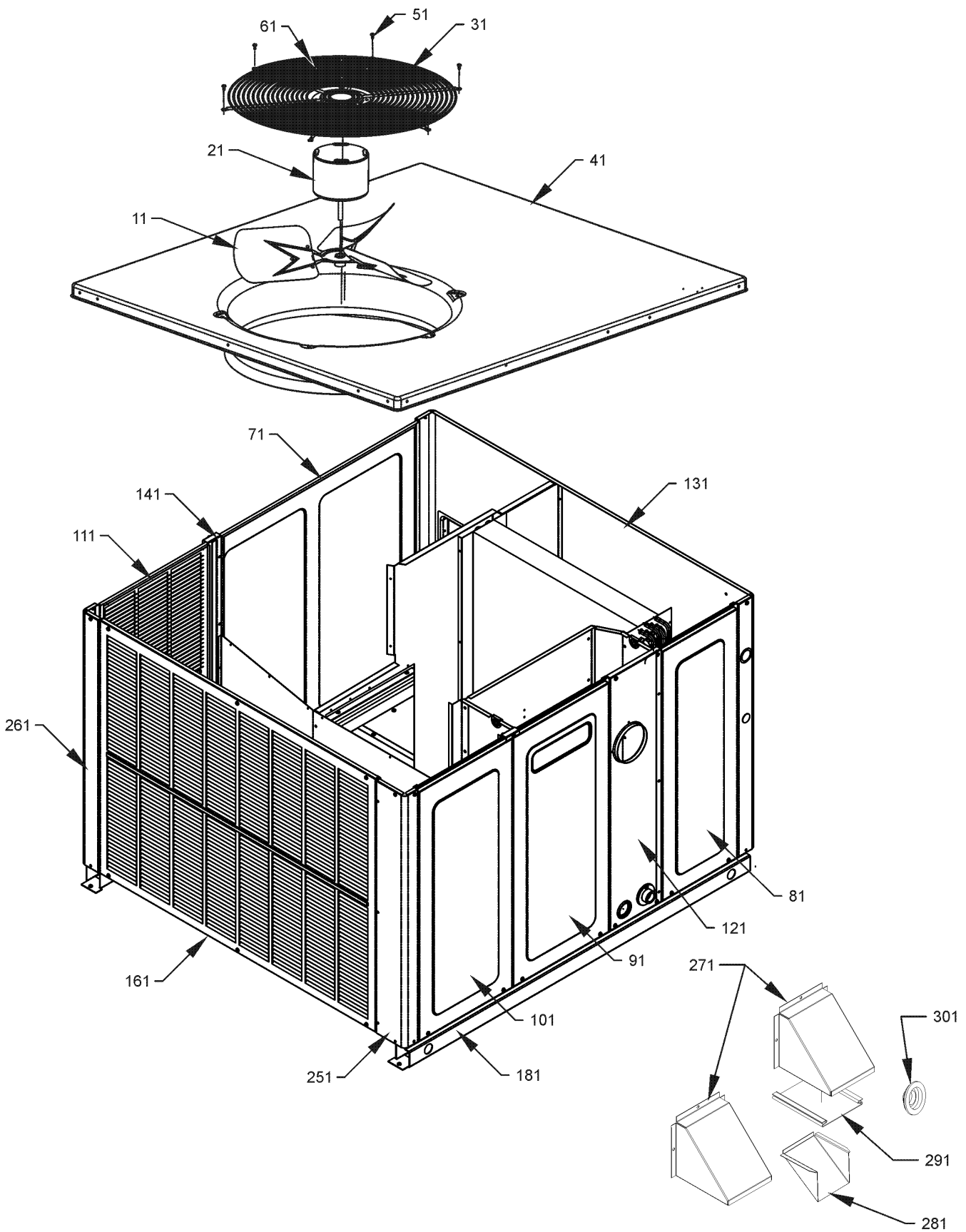
No: Description:

0130M00242	24V RELAY (M3, M4, M5, M6, M7, M8)
20269903	AUXILIARY LIMIT, AUTO RESET
11091203	BLOWER MOTOR 1/3 HP, 3 SP, 6 PL (M1, M2)
0131M00442	BLOWER PROGRAMMED MOTOR (M3, M4)
0131M00443	BLOWER PROGRAMMED MOTOR (M5, M6, M7, M8)
D6723303	BLOWER WHEEL (M1, M2)
B1368000	BLOWER WHEEL 11 X 10 (M3, M4, M5, M6, M7, M8)
CAP100000370LA	CAPACITOR 10/370V (M1, M2)
CAP050000370LA	CAPACITOR 5/370V
ZP31K5ETF5130	COMPRESSOR 31200, 200/230/60/3 (M1, M2)
ZP39K5ETF5130	COMPRESSOR 39000, 200/230/60/3 (M3, M4)
ZP51K5ETF5130	COMPRESSOR 51000, 208/230/60/3 (M5, M6, M7, M8)
0131M00061	COND MOTOR 1/4 HP, 1 SP, 8 PL (M1, M2)
0131M00429	COND MOTOR 1/4 HP, 1 SP, 6 PL (M3, M4, M5, M6, M7, M8)
CONT3P025024V	CONTACTOR 25 AMP, 3P, 24V
0130M00074	CUT-OUT SWITCH, HIGH PRESSURE
0150G00002	FAN BLADE SWEPT-WING (M1, M2)
0150G00003	FAN BLADE SWEPT-WING (M3, M4, M5, M6, M7, M8)
0130F00010	FLAME SENSOR
B1282628	GAS VALVE (36G) (M2, M4, M6, M8)
0151M00013	GAS VALVE (HW) SINGLE STAGE (M1, M3, M5, M7)
PCBAG123	IGNITION BOARD, DSI INTEGRATED
0130F00014	IGNITOR
10728343	LIMIT SWITCH (M1, M2, M7, M8)
10728344	LIMIT SWITCH (M3, M4, M5, M6)
10123532	MANUAL RESET LIMIT 350°F
0131G00007	MOTOR, ID BLOWER
11112501	PRESSURE SWITCH
0130M00138	TRANSFORMER 208/230, 24V
DY6.186.070	VENT MOTOR CAPACITOR

Expanded Model Nomenclature

M1 - DP13GM3609043AA
M2 - DP13GM3609043AB
M3 - DP13GM4809043AA
M4 - DP13GM4809043AB
M5 - DP13GM6009043AA
M6 - DP13GM6009043AB
M7 - DP13GM6014043AA
M8 - DP13GM6014043AB

Top Panel / Fan / Cabinet



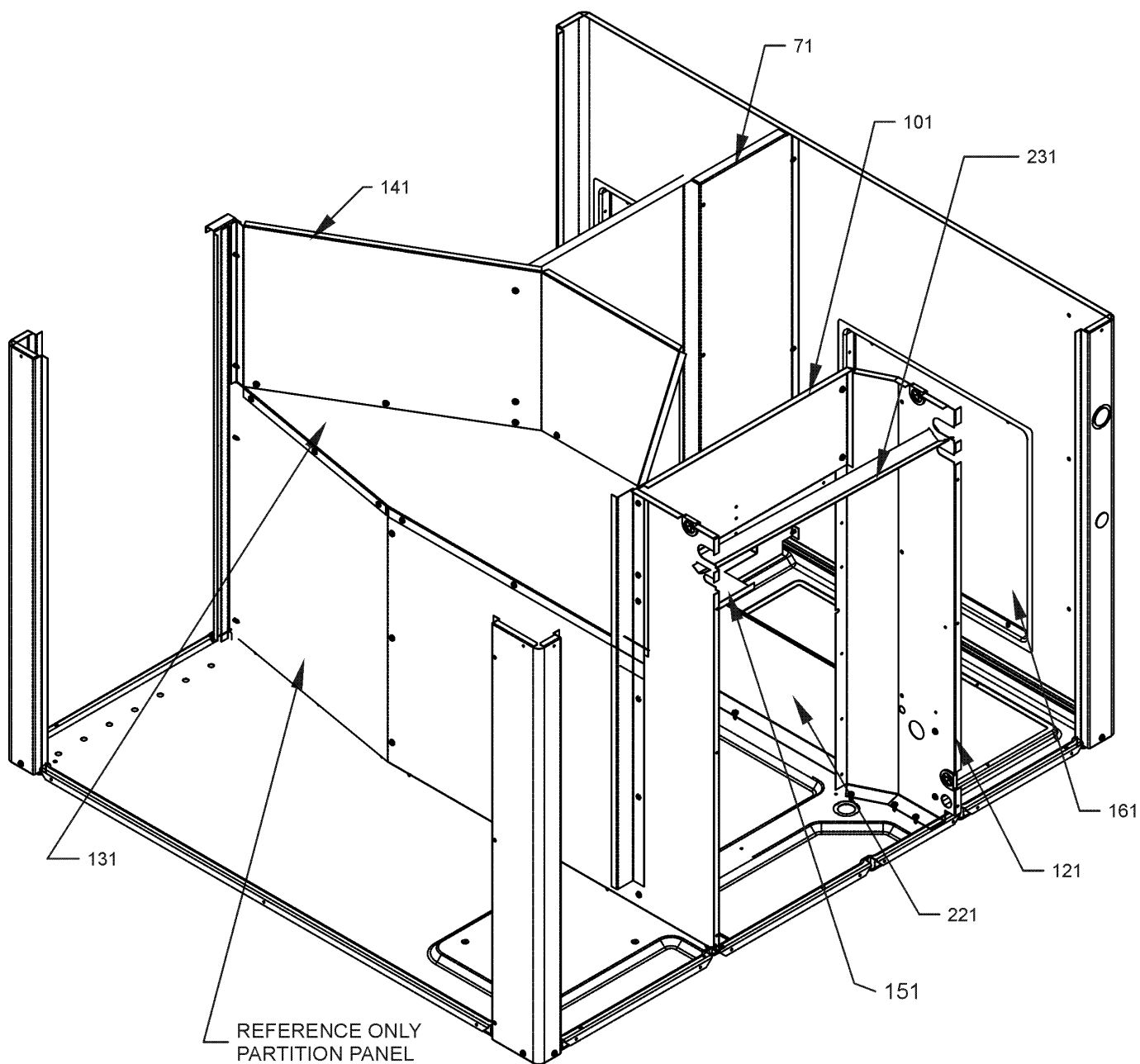
Top Panel / Fan / Cabinet

Ref. Part No:	No:	Description:	Ref. Part No:	No:	Description:
Image 1:					
11	0150G00002	FAN BLADE SWEEP-WING (M1, M2)			
11	0150G00003	FAN BLADE SWEEP-WING (M3, M4, M5, M6, M7, M8)			
21	0131M00061	COND MOTOR 1/4 HP, 1 SP, 8 PL (M1, M2)			
21	0131M00429	COND MOTOR 1/4 HP, 1 SP, 6 PL (M3, M4, M5, M6, M7, M8)			
31	0152G00003	FAN GRILLE			
41	0121G00156NG	PNL, TOP, PNT			
51	B1393500	SCREW, #10X1/2,"A"BLKCK (QTY 6)			
61	0163M00006P	ACORN NUT 5/16 HEX BLACK (QTY 4)			
71	20464801NG	BLOWER DOOR 32" (M1, M2)			
71	20464806NG	BLOWER DOOR 40" (M3, M4, M5, M6, M7, M8)			
81	20464802NG	DOOR-EVAP/CONTROL 32, PNT (M1, M2)			
81	20464807NG	DOOR-EVAP/CONTROL 40, PNT (M3, M4, M5, M6, M7, M8)			
91	0121G00526NG	HEAT EXCHANGER DOOR 32" (M1, M2)			
91	0121G00527NG	HEAT EXCHANGER DOOR 40" (M3, M4, M5, M6, M7, M8)			
101	20464804NG	DOOR-COMPRESSOR 32 W/PAINT (M1, M2)			
101	20464809NG	DOOR-COMPRESSOR 40 W/PAINT (M3, M4, M5, M6, M7, M8)			
111	0121G00465NG	LOUVERED PANEL, COND SIDE 32" (M1, M2)			
111	20467702NG	LOUVERED PANEL, COND SIDE 40" (M3, M4, M5, M6, M7, M8)			
121	20466101NG	UTILITY PANEL 32" (M1, M2)			
121	20466102NG	UTILITY PANEL 40" (M3, M4, M5, M6, M7, M8)			
131	0121G00673NG	PNL, DUCT, GAS 32.5" (M1, M2)			
131	0121G00674NG	PNL, DUCT, GAS 40" (M3, M4, M5, M6, M7, M8)			
141	0121G00460	POST-SUPPORT, SIDE (M1, M2)			
141	0121G00462	POST-SUPPORT, SIDE (M3, M4, M5, M6, M7, M8)			
161	20464401NG	LOUVERED PANEL, COND SIDE 32" (M1, M2)			
161	20464402NG	LOUVERED PANEL, COND SIDE 40" (M3, M4, M5, M6, M7, M8)			
181	0121G00290	BASE PAN RAIL (QTY 2)			
251	0121G00453NG	CORNER POST-COMP END 32" (M1, M2)			
251	20464202NG	CORNER POST-COMP END 40" (M3, M4, M5, M6, M7, M8)			
261	0121G00454NG	CORNER POST-HAIRPIN END 32" (M1, M2)			
261	20464302NG	CORNER POST-HAIRPIN END 40" (M3, M4, M5, M6, M7, M8)			
271	0121G00323	FLUE HOOD (QTY 2)			
281	0121G00190	FLUE HOOD-LOWER			
291	20472601	SCREEN-FLUE HOOD			
301	B1910012	GAS LINE GROMMET			
NS	1778800083F	PVC CONDUIT 8.25"			

Expanded Model Nomenclature

M1 - DP13GM3609043AA
M2 - DP13GM3609043AB
M3 - DP13GM4809043AA
M4 - DP13GM4809043AB
M5 - DP13GM6009043AA
M6 - DP13GM6009043AB
M7 - DP13GM6014043AA
M8 - DP13GM6014043AB

Partition Assembly



Partition Assembly

Ref. Part No:	Ref. Part No:	Description:	Description:
Image 1:			
71	20465304	BLOWER DIVIDER 32" 10 X 9 (M1, M2)	
71	20465302	BLOWER DIVIDER 38" (M3, M4, M5, M6, M7, M8)	
101	20465201	FILLER PANEL, HEAT EXCHANGER 32" (M1, M2)	
101	20465202	FILLER PANEL, HEAT EXCHANGER 40" (M3, M4, M5, M6, M7, M8)	
121	20465501	EVAP/HEAT EXCHANGER DIVIDER 32" (M1, M2)	
121	20465502	EVAP/HEAT EXCHANGER DIVIDER 38" (M3, M4, M5, M6, M7, M8)	
131	20465701	FAN PARTITION SHELF	
141	20465801	FAN SURROUND 32" (M1, M2)	
141	20465802	FAN SURROUND 40" (M3, M4, M5, M6, M7, M8)	
151	20472501	SHIELD, HEAT EXCHANGER TUBES	
161	20464501NG	BACK DUCT COVER 40" (M1, M2)	
161	20464502NG	BACK DUCT COVER 40" (M3, M4, M5, M6, M7, M8)	
221	20463802	EVAP/BASEPAN BLOCK 32" (M1, M2)	
221	20463801	EVAP/BASEPAN BLOCK 40" (M3, M4, M5, M6, M7, M8)	
231	0121G00555	DRAIN CHANNEL, SUCTION TUBE	

Expanded Model Nomenclature

M1 - DP13GM3609043AA
M2 - DP13GM3609043AB
M3 - DP13GM4809043AA
M4 - DP13GM4809043AB
M5 - DP13GM6009043AA
M6 - DP13GM6009043AB
M7 - DP13GM6014043AA
M8 - DP13GM6014043AB

Basepan / Blower Assembly

Image 1

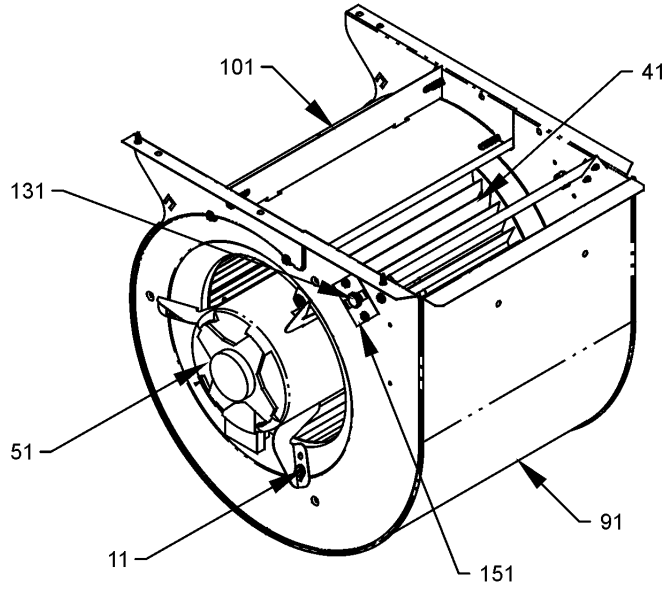
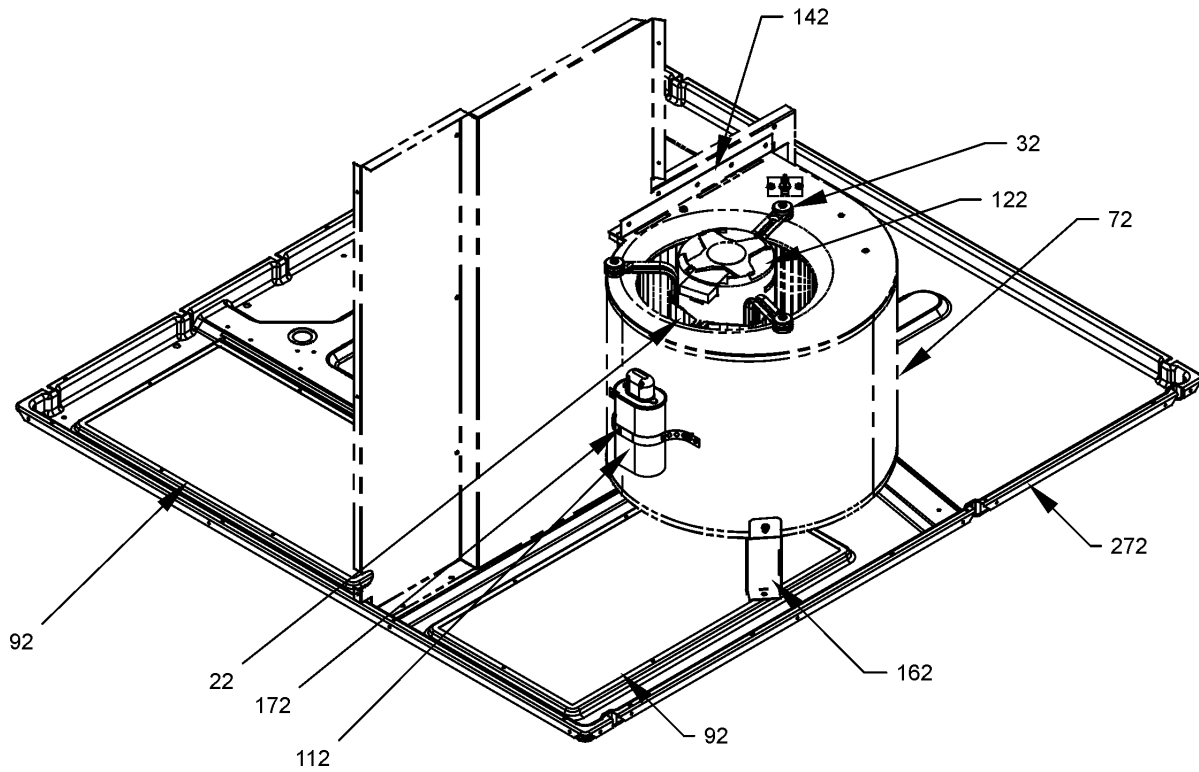


Image 2



Basepan / Blower Assembly

Ref. Part No: No:	Description:	Ref. Part No: No:	Description:
-------------------	--------------	-------------------	--------------

Image 1:

11	M0250558	TC SCREW (M1, M2)
11	M0250565	TC SCREW 1.25" (M3, M4, M5, M6, M7, M8)
41	D6723303	BLOWER WHEEL (M1, M2)
41	B1368000	BLOWER WHEEL 11 X 10 (M3, M4, M5, M6, M7, M8)
51	11091203	BLOWER MOTOR 1/3 HP, 3 SP, 6 PL (M1, M2)
91	0271G00024	BLOWER HOUSING ASSY 10 X 9 (M1, M2)
101	764742	BLOWER BLOCK-OFF (M1, M2)
101	1864703F	BLOWER CUT-OFF (M3, M4, M5, M6, M7, M8)
131	20269903	AUXILIARY LIMIT, AUTO RESET
151	2509503F	AUXILIARY LIMIT BRACKET
NS	2509503F	AUXILIARY LIMIT BRACKET

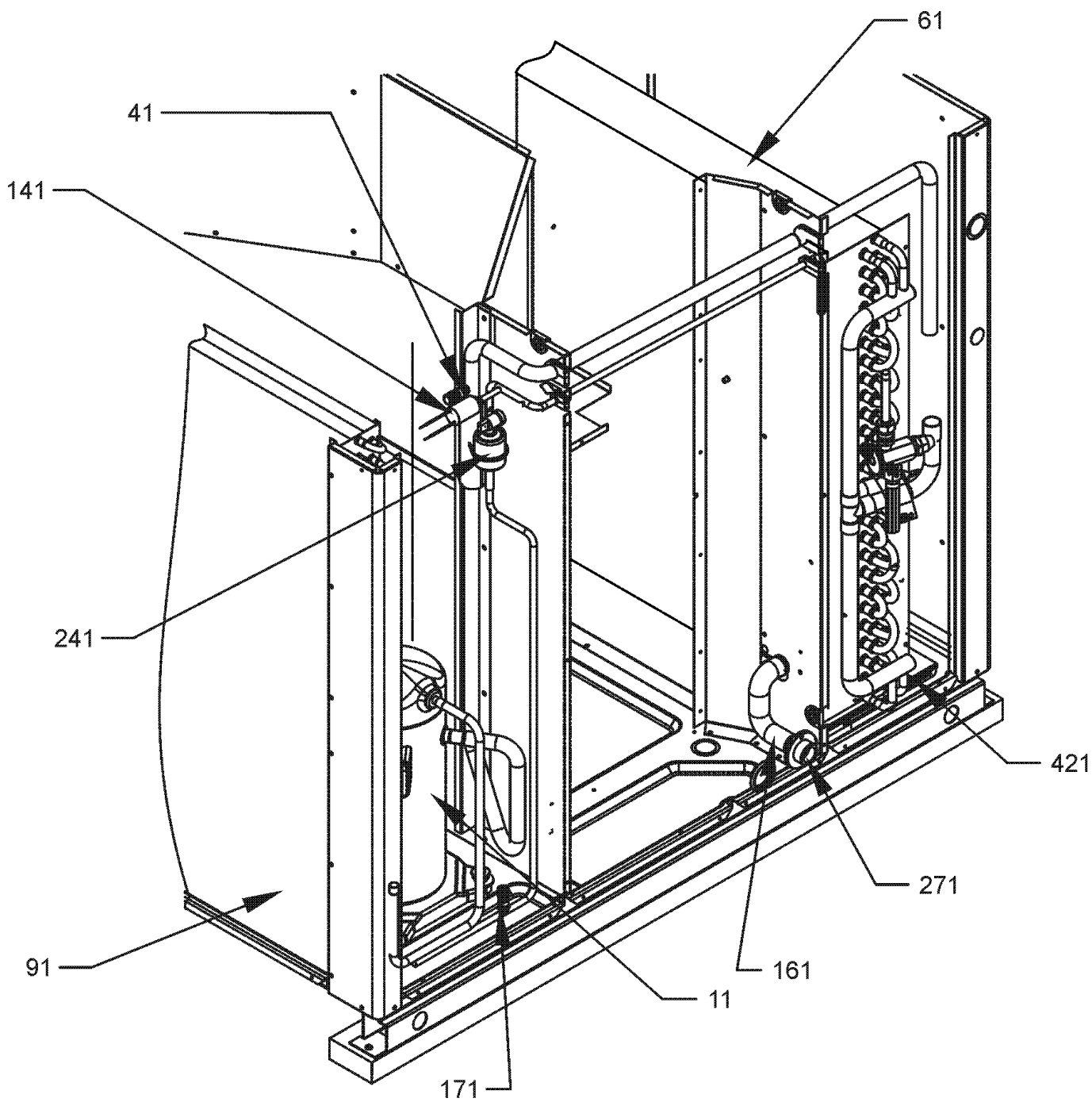
Image 2:

22	0121M00038	MOTOR MOUNT BAND (M3, M4, M5, M6, M7, M8)
32	B1376857	MOTOR MOUNT ARM (M3, M4, M5, M6, M7, M8)
72	2539309	BLOWER HOUSING ASSY 11 X 10 (M3, M4, M5, M6, M7, M8)
92	0121G00148	SINGLE COVER, DOWN DISCHARGE (QTY 2)
112	CAP100000370LA	CAPACITOR 10/370V (M1, M2)
122	0131M00442	BLOWER PROGRAMMED MOTOR (M3, M4)
122	0131M00443	BLOWER PROGRAMMED MOTOR (M5, M6, M7, M8)
142	20463701	11 X 10 BLOWER MOUNTING (M3, M4, M5, M6, M7, M8)
172	20520901	CAPACITOR STRAP (M1, M2)
272	0121G00444	BASEPAN, PACKAGE
NS	B821700	CAPACITOR BOOT (M1, M2)
NS	B1393800	LOCKNUT, NYLON, INSERT 1/4, 20 (M3, M4, M5, M6, M7, M8)
NS	B1393323	MACHINE SCREW HWH 1/4-20 X 1-1/2 BZ (M3, M4, M5, M6, M7, M8)

Expanded Model Nomenclature

M1 - DP13GM3609043AA
M2 - DP13GM3609043AB
M3 - DP13GM4809043AA
M4 - DP13GM4809043AB
M5 - DP13GM6009043AA
M6 - DP13GM6009043AB
M7 - DP13GM6014043AA
M8 - DP13GM6014043AB

Compressor / Tubing Assembly



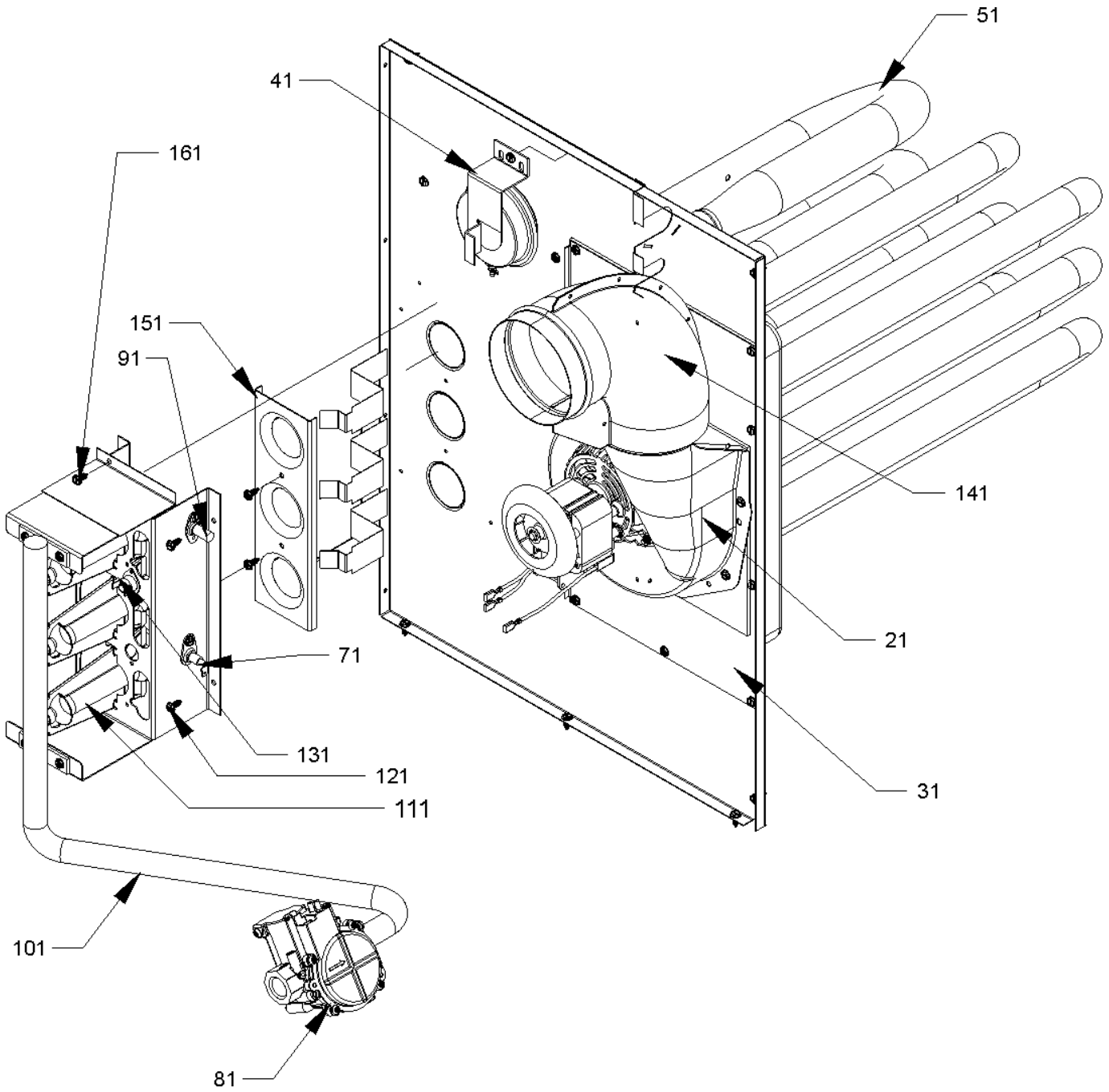
Compressor / Tubing Assembly

Ref. Part No:	No:	Description:	Ref. Part No:	No:	Description:
Image 1:					
11	ZP31K5ETF5130	COMPRESSOR 31200, 200/230/60/3 (M1, M2)			
11	ZP39K5ETF5130	COMPRESSOR 39000, 200/230/60/3 (M3, M4)			
11	ZP51K5ETF5130	COMPRESSOR 51000, 208/230/60/3 (M5, M6, M7, M8)			
41	B1373315	ACCESS FITTING (QTY 2)			
61	0202G00567	EVAP COIL ASSY (M1, M2)			
61	0202G00569	EVAP COIL ASSY (M5, M6, M7, M8)			
61	0202G00684	EVAP COIL ASSY (M3, M4)			
91	0201G00143	COND COIL TUBING ASSY (M5, M6, M7, M8)			
91	0201G00144	COND COIL TUBING ASSY (M3, M4)			
91	0201G00249	COND COIL TUBING ASSY (M1, M2)			
141	0130M00074	CUT-OUT SWITCH, HIGH PRESSURE			
161	20498302	DRAIN TUBE 32" (M1, M2)			
161	20498301	DRAIN TUBE 40" (M3, M4, M5, M6, M7, M8)			
171	0163M00175	CAP WITH O-RING (QTY 2)			
241	B1219212	SINGLE-FLOW FILTER DRIER, STEEL (M1, M2)			
241	B1219225	SINGLE-FLOW FILTER DRIER, STEEL (M3, M4, M5, M6, M7, M8)			
271	20513001	EVAP DRAIN FITTING			
421	20464901DF	DRAIN PAN-EVAP COIL			
NS	B1339533	COMPRESSOR GROMMET (QTY 4)			
NS	0159G00007	COMPRESSOR SCROLL HARNESS			
NS	0128G00064	EVAP DRIP SHIELD			
NS	0162M00304	FLOWRATOR, AL (M3, M4)			
NS	0162M00308	FLOWRATOR, AL (M1, M2)			
NS	0162M00309	FLOWRATOR, AL (M5, M6, M7, M8)			
NS	B1810011	HOSE CLAMP 1.25 (QTY 2)			
NS	M0221641	TF SHOULDER SCREW (QTY 4)			

Expanded Model Nomenclature

M1 - DP13GM3609043AA
M2 - DP13GM3609043AB
M3 - DP13GM4809043AA
M4 - DP13GM4809043AB
M5 - DP13GM6009043AA
M6 - DP13GM6009043AB
M7 - DP13GM6014043AA
M8 - DP13GM6014043AB

Heat Exchanger / Manifold / Gas Valve



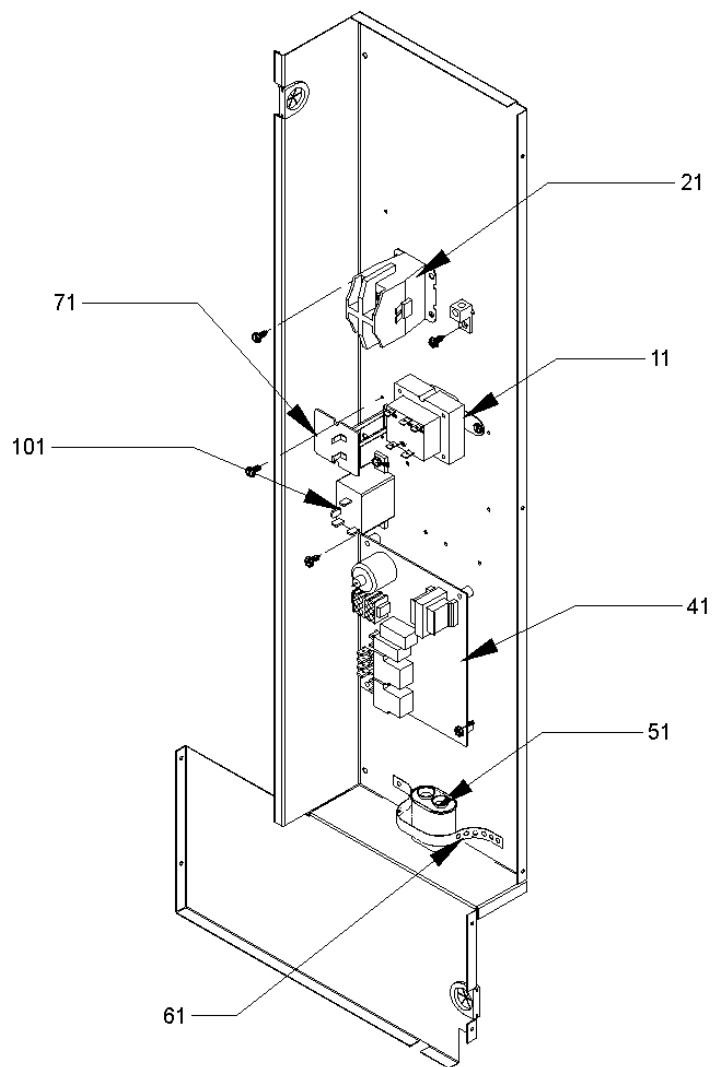
Heat Exchanger / Manifold / Gas Valve

Ref. Part No:	Description:	Ref. Part No:	Description:
Image 1:			
21	0131G00007		MOTOR, ID BLOWER
31	0121G00430		PLATE-ID BLWR LRG 4 BRNR (M3, M4, M5, M6)
31	0121G00432		PLATE-ID BLWR LRG 6 BRNR (M7, M8)
31	0121G00429		PLATE-ID BLWR SML 4 BRNR (M1, M2)
41	11112501		PRESSURE SWITCH
51	20490703		PART/TUBE ASSY 4B (M1, M2)
51	20490704		PART/TUBE ASSY 4B (M3, M4, M5, M6)
51	20490706		PART/TUBE ASSY 6B (M7, M8)
71	0130F00014		IGNITOR
81	B1282628		GAS VALVE (36G) (M2, M4, M6, M8)
81	0151M00013		GAS VALVE (HW) SINGLE STAGE (M1, M3, M5, M7)
91	0130F00010		FLAME SENSOR
101	20493104		MANIFOLD - 4 BRNR (M1, M2)
101	20493105		MANIFOLD - 4 BRNR (M3, M4, M5, M6)
101	20493107		MANIFOLD - 6 BRNR (M7, M8)
111	10735102		BECKETT BURNER (QTY 4)
121	20190412		BURNER BRACKET 4B (M1, M2, M3, M4, M5, M6)
121	0121F00145		BURNER BRACKET 6B (M7, M8)
131	10123532		MANUAL RESET LIMIT 350°F
141	20484401		FLUE ELBOW LEFT
141	20484402		FLUE ELBOW RIGHT
151	11072203		ORIFICE SHIELD (M1, M2, M3, M4, M5, M6)
151	11072205		ORIFICE SHIELD (M7, M8)
161	M0221817		SMALL SCREW
NS	0154G00003		GASKET, ID BLOWER & PLATE (M1, M2)
NS	0154G00004		GASKET, ID BLOWER & PLATE (M3, M4, M5, M6, M7, M8)
NS	11190202		HEAT DEFLECTOR
NS	0163F00018		ORIFICE (QTY 4)
NS	DY6.186.070		VENT MOTOR CAPACITOR

Expanded Model Nomenclature

M1 - DP13GM3609043AA
M2 - DP13GM3609043AB
M3 - DP13GM4809043AA
M4 - DP13GM4809043AB
M5 - DP13GM6009043AA
M6 - DP13GM6009043AB
M7 - DP13GM6014043AA
M8 - DP13GM6014043AB

Control Panel



Control Panel

Ref. Part No:	No:	Description:	Ref. Part No:	No:	Description:
---------------	-----	--------------	---------------	-----	--------------

Image 1:

11	0130M00138	TRANSFORMER 208/230, 24V
21	CONT3P025024V	CONTACTOR 25 AMP, 3P, 24V
41	PCBAG123	IGNITION BOARD, DSI INTEGRATED
51	CAP050000370LA	CAPACITOR 5/370V
61	20520901	CAPACITOR STRAP
71	10728343	LIMIT SWITCH (M1, M2, M7, M8)
71	10728344	LIMIT SWITCH (M3, M4, M5, M6)
101	0130M00242	24V RELAY (M3, M4, M5, M6, M7, M8)
NS	0259G00009	BLOWER HARNESS (M1, M2)
NS	0259G00011	BLOWER, HARNESS (M3, M4, M5, M6, M7, M8)
NS	0259G00084	HARNESS-CONTROL (M3, M4, M5, M6, M7, M8)
NS	0259G00086	HARNESS-CONTROL (M1, M2)
NS	0259G00116	PLUG ASSY, 12 PIN MALE (M1, M2)
NS	0259G00125	PLUG ASSY, 12 PIN MALE (M3, M4, M5, M6, M7, M8)

Expanded Model Nomenclature

M1 - DP13GM3609043AA
M2 - DP13GM3609043AB
M3 - DP13GM4809043AA
M4 - DP13GM4809043AB
M5 - DP13GM6009043AA
M6 - DP13GM6009043AB
M7 - DP13GM6014043AA
M8 - DP13GM6014043AB