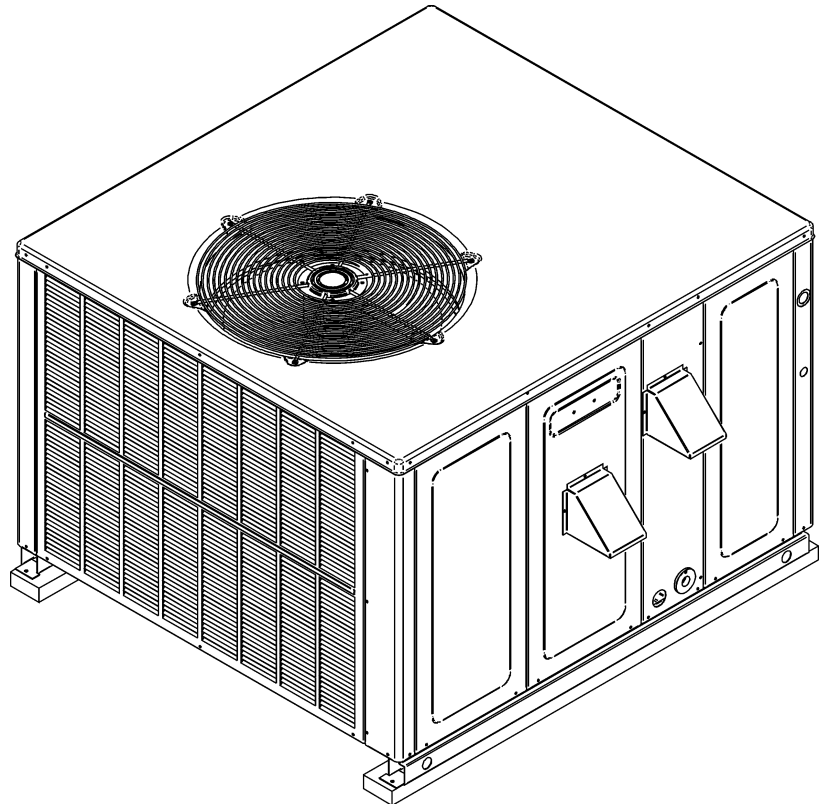


DP13GM Package Gas Units

Single Phase

DP13GM2404541AA
DP13GM2407041AA
DP13GM3004541AA
DP13GM3007041AA
DP13GM3604541AA
DP13GM3607041AA
DP13GM3609041AA
DP13GM4207041AA
DP13GM4209041AA
DP13GM4807041AA
DP13GM4809041AA
DP13GM4811541AA
DP13GM6009041AA
DP13GM6011541AA
DP13GM6014041AA



This manual is to be used by qualified technicians only.

Important Information

Index

Functional Parts List	3
Illustration and Parts	4 - 15

Views shown are for parts illustrations only, not servicing procedures

Text Codes:

AR - As Required

NA - Not Available

NS - Not Shown

00000000 - See Note

QTY - Quantity Example (QTY 3) (If Quantity not shown, Quantity = 1)

M - Model Example (M1) (If M Code not shown, then part is used on all Models)

Expanded Model Nomenclature:

Example M1 - Model#1 M2 - Model#2 M3 - Model#3

Daikin Company, L.P. is not responsible for personal injury or property damage resulting from improper service. Review all service information before beginning repairs.

Warranty service must be performed by an authorized technician, using authorized factory parts. If service is required after the warranty expires, Daikin Company, L.P. also recommends contacting an authorized technician and using authorized factory parts.

Daikin Company, L.P. reserves the right to discontinue, or change at any time, specifications or designs without notice or without incurring obligations.

For assistance within the U.S.A. contact:

Consumer Affairs Department

Daikin North America, LLC

7401 Security Way

Houston, Texas 77040

855-770-5678-Telephone

713-863-2382-Facsimile

For assistance outside the U.S.A. contact:

International Division

Daikin North America, LLC

7401 Security Way

Houston, Texas 77040

713-861-2500-Telephone

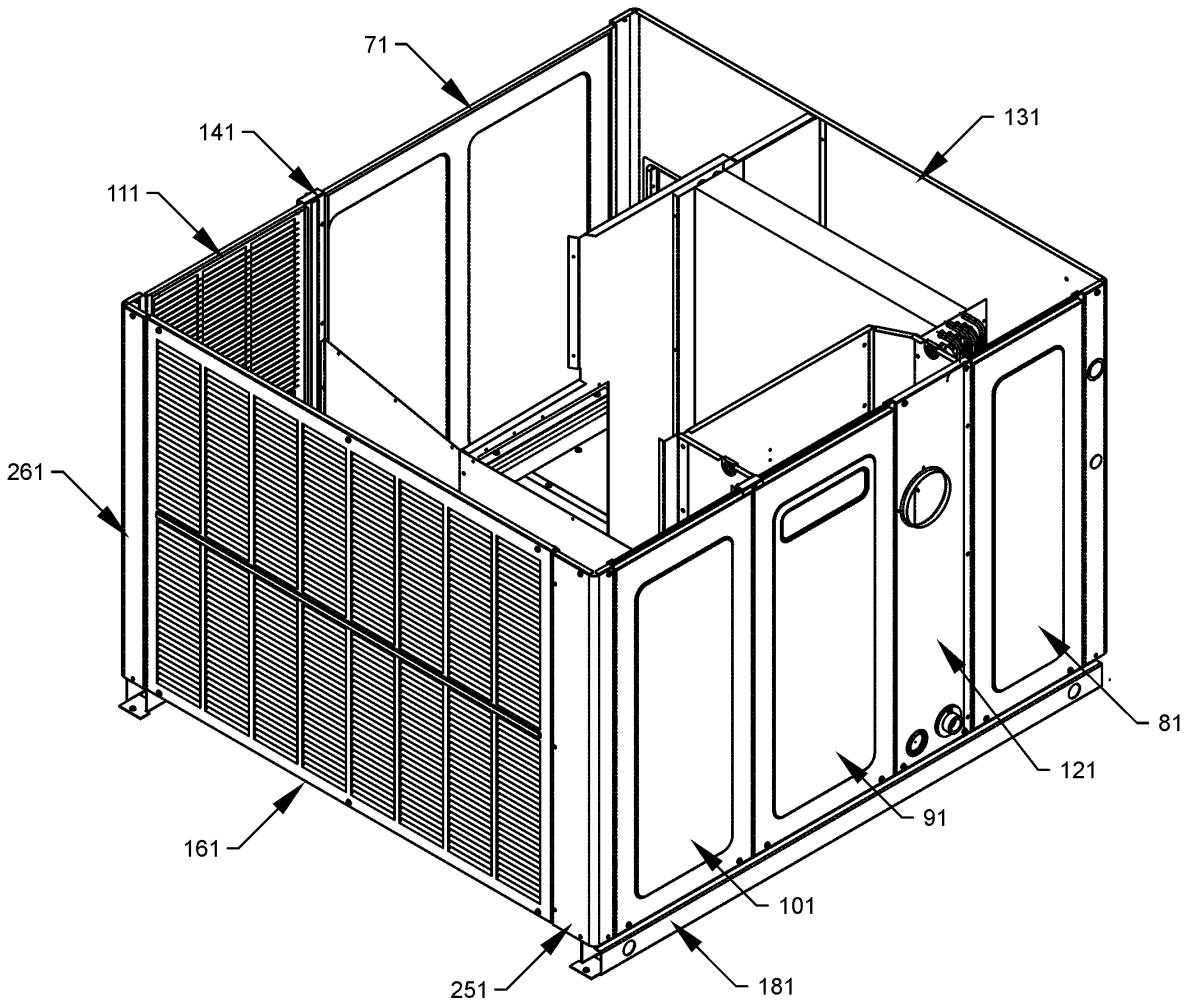
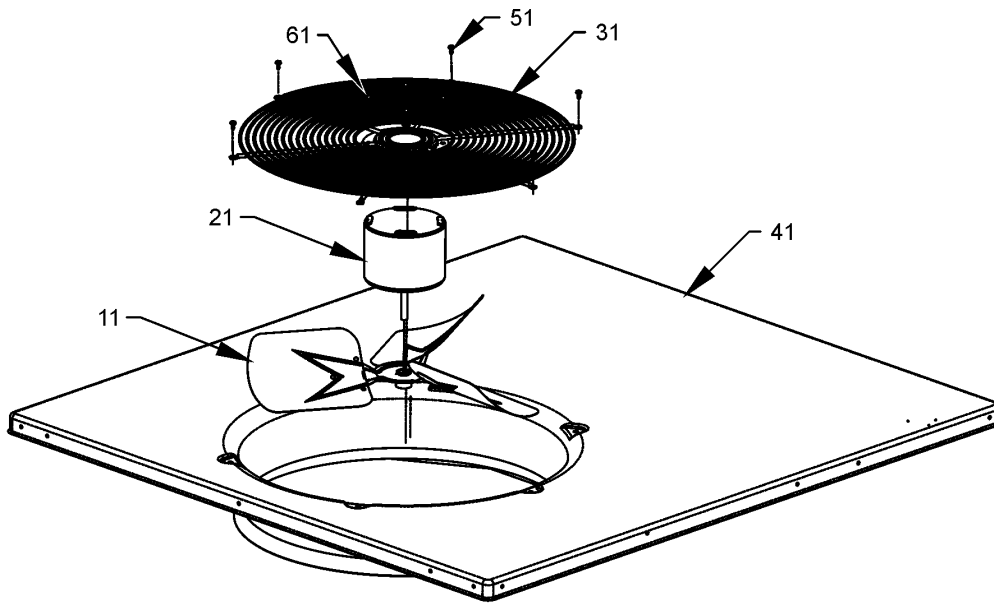
713-863-2382-Facsimile

Functional Parts

Part No: **Description:**

Part No:	Description:	Expanded Model Nomenclature
0130M00242	24V RELAY (M13, M14, M15)	M1 - DP13GM6011541AA
B1370751	24V RELAY (M10, M11, M12)	M2 - DP13GM6014041AA
11091202	BLOWER MOTOR 1/3 HP, 3 SP, 6 PL (M3, M4)	M3 - DP13GM2404541AA
11091203	BLOWER MOTOR 1/3 HP, 3 SP, 6 PL (M5, M6, M7, M8, M9)	M4 - DP13GM2407041AA
11091207	BLOWER MOTOR 1/4 HP, 3 SP, 8 PL (M1, M2)	M5 - DP13GM3004541AA
D6723303	BLOWER WHEEL (M5, M6, M7)	M6 - DP13GM3007041AA
D6723306	BLOWER WHEEL (M8, M9)	M7 - DP13GM3604541AA
B1368058	BLOWER WHEEL 10 X 8 (M1, M2)	M8 - DP13GM3607041AA
B1368016	BLOWER WHEEL 10 X 8 (M3, M4)	M9 - DP13GM3609041AA
B1368000	BLOWER WHEEL 11 X 10 (M10, M11, M12, M13, M14, M15)	M10 - DP13GM4207041AA
CAP100000370LA	CAPACITOR 10/370V (M1, M2, M3, M4, M5, M6, M7, M8, M9)	M11 - DP13GM4209041AA
CAP050350440CS	CAPACITOR 5/35/440V (M1, M2)	M12 - DP13GM4807041AA
CAP050400440CT	CAPACITOR 5/40/440V/DUAL RD (M3, M4)	M13 - DP13GM4809041AA
CAP050450440CT	CAPACITOR 5/45/440V/DUAL RD (M5, M6, M7, M8, M9, M10, M11, M12)	M14 - DP13GM4811541AA
CAP050700440CT	CAPACITOR 5/70/440V/DUAL RD (M13, M14, M15)	M15 - DP13GM6009041AA
ZP20K5EPFV130	COMPRESSOR 25200, 208/230/60/1 (M3, M4)	
ZP25K5EPFV130	COMPRESSOR 25200, 208/230/60/1 (M5, M6)	
ZP31K5EPFV130	COMPRESSOR 31100, 208/230/60/1 (M7, M8, M9)	
ZP34K5EPFV130	COMPRESSOR 34500, 208/230/60/1 (M10, M11)	
ZP39K5EPFV130	COMPRESSOR 39000, 208/230/60/1 (M12, M13, M14)	
ZP51K5EPFV130	COMPRESSOR 51000, 208/230/60/1 (M1, M2, M15)	
0131M00061	COND MOTOR 1/4 HP, 1 SP, 8 PL (M5, M6, M7)	
0131M00429	COND MOTOR 1/4 HP, 1 SP, 6 PL (M3, M4, M8, M9, M10, M11, M12, M13, M14, M15)	
0131M00009P	COND MOTOR 1/6 HP, 1 SP, 8 PL (M1, M2)	
CONT1P025024V	CONTACTOR 25 AMP, 1P, 24V (M1, M2, M3, M4, M5, M6, M7)	
CONT1P030024V	CONTACTOR 30 AMP, 1P, 24V (M8, M9, M10, M11, M12, M13, M14, M15)	
0130M00074	CUT-OUT SWITCH, HIGH PRESSURE	
B1086775	FAN BLADE (M3, M4)	
B1086773	FAN BLADE 22" (M1, M2)	
0150G00002	FAN BLADE SWEPT-WING (M5, M6, M7)	
0130F00010	FLAME SENSOR	
0151M00013	GAS VALVE (HW) SINGLE STAGE	
PCBAG123	IGNITION BOARD, DSI INTEGRATED	
0130F00014	IGNITOR	
10728344	LIMIT SWITCH (M8, M9, M10, M11, M12, M13, M14)	
10728342	LIMIT SWITCH (M1, M2, M3, M4)	
10728343	LIMIT SWITCH (M5, M6, M7, M15)	
10123532	MANUAL RESET LIMIT 350°F	
0131G00007	MOTOR, ID BLOWER	
11112501	PRESSURE SWITCH	
0131M00442	PROGRAMMED MOTOR (M10, M11, M12)	
0131M00443	PROGRAMMED MOTOR (M13, M14, M15)	
0130M00138	TRANSFORMER 208/230, 24V	
DY6.186.070	VENT MOTOR CAPACITOR	

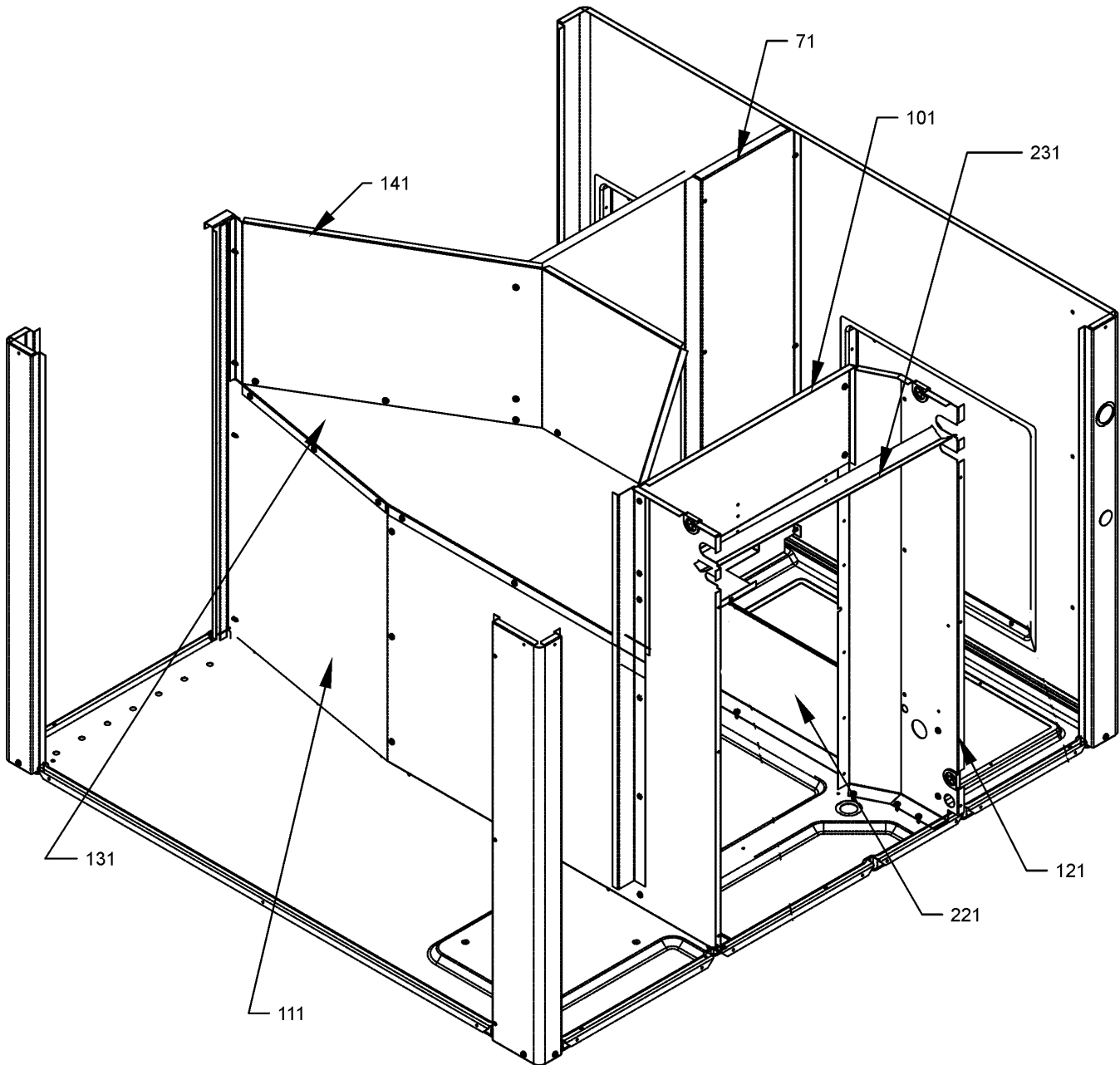
Top Panel / Fan / Cabinet



Top Panel / Fan / Cabinet

Ref. Part No: No:	Description:	Ref. Part No: No:	Description:
Image 1:		Image 1:	
11	B1086775 FAN BLADE (M3, M4)	261	0121G00456NG CORNER POST-HAIRPIN END 40" (M13, M14, M15)
11	B1086773 FAN BLADE 22" (M1, M2)	261	20464302NG CORNER POST-HAIRPIN END 40" (M8, M9, M10, M11, M12)
11	0150G00002 FAN BLADE SWEPT-WING (M5, M6, M7)	NS	0121G00323 FLUE HOOD (QTY 2)
11	0150G00003 FAN BLADE SWEPT-WING (M8, M9, M10, M11, M12, M13, M14, M15)	NS	0121G00190 FLUE HOOD-LOWER
21	0131M00061 COND MOTOR 1/4 HP, 1 SP, 8 PL (M5, M6, M7)	NS	B1910012 GAS LINE GROMMET
21	0131M00429 COND MOTOR 1/4 HP, 1 SP, 6 PL (M3, M4, M8, M9, M10, M11, M12, M13, M14, M15)	NS	17788000083F PVC CONDUIT 8.25"
21	0131M00009P COND MOTOR 1/6 HP, 1 SP, 8 PL (M1, M2)	NS	20472601 SCREEN-FLUE HOOD
31	0152G00003 FAN GRILLE	Expanded Model Nomenclature	
41	0121G00156NG PNL, TOP, PNT	M1 - DP13GM6011541AA	
51	M0221817 SMALL SCREW (QTY 6)	M2 - DP13GM6014041AA	
61	0163M00006P ACORN NUT 5/16 HEX BLACK (QTY 4)	M3 - DP13GM2404541AA	
71	20464801PDG BLOWER DOOR 32" (M1, M2, M3, M4, M5, M6, M7)	M4 - DP13GM2407041AA	
71	20464806PDG BLOWER DOOR 40" (M8, M9, M10, M11, M12, M13, M14, M15)	M5 - DP13GM3004541AA	
81	20464802NG DOOR-EVAP/CONTROL 32 (M1, M2, M3, M4, M5, M6, M7)	M6 - DP13GM3007041AA	
81	20464807NG DOOR-EVAP/CONTROL 32 (M8, M9, M10, M11, M12, M13, M14, M15)	M7 - DP13GM3604541AA	
91	0121G00526NG HEAT EXCHANGER DOOR 32" (M1, M2, M3, M4, M5, M6, M7)	M8 - DP13GM3607041AA	
91	0121G00527NG HEAT EXCHANGER DOOR 32" (M8, M9, M10, M11, M12, M13, M14, M15)	M9 - DP13GM3609041AA	
101	20464804NG DOOR-COMPRESSOR 32 (M1, M2, M3, M4, M5, M6, M7)	M10 - DP13GM4207041AA	
101	20464809NG DOOR-COMPRESSOR 32 (M8, M9, M10, M11, M12, M13, M14, M15)	M11 - DP13GM4209041AA	
111	0121G00465NG PANEL-COND SIDE 32 (M5, M6, M7)	M12 - DP13GM4807041AA	
111	20467701NG PANEL-COND SIDE 32 (M1, M2, M3, M4)	M13 - DP13GM4809041AA	
111	0121G00467NG PANEL-COND SIDE 40, PNT (M13, M14, M15)	M14 - DP13GM4811541AA	
111	20467702NG PANEL-COND SIDE 40, PNT (M8, M9, M10, M11, M12)	M15 - DP13GM6009041AA	
121	20466101NG UTILITY PANEL 32" (M1, M2, M3, M4, M5, M6, M7)		
121	20466102NG UTILITY PANEL 40" (M8, M9, M10, M11, M12, M13, M14, M15)		
131	0121G00673NG PNL, DUCT, GAS 32.5" (M1, M2, M3, M4, M5, M6, M7)		
131	0121G00674NG PNL, DUCT, GAS 40" (M8, M9, M10, M11, M12, M13, M14, M15)		
141	0121G00460 SIDE SUPPORT POST (M1, M2, M3, M4, M5, M6, M7)		
141	0121G00462 SIDE SUPPORT POST (M8, M9, M10, M11, M12, M13, M14, M15)		
161	20464401NG LOUVERED PANEL, COND SIDE 32" (M1, M2, M3, M4, M5, M6, M7)		
161	20464402NG LOUVERED PANEL, COND SIDE 40" (M8, M9, M10, M11, M12, M13, M14, M15)		
181	0121G00290 BASE PAN RAIL (QTY 2)		
251	0121G00453NG CORNER POST-COMP END 32" (M5, M6, M7)		
251	20464201NG CORNER POST-COMP END 32" (M1, M2, M3, M4)		
251	0121G00455NG CORNER POST-COMP END 40" (M13, M14, M15)		
251	20464202NG CORNER POST-COMP END 40" (M8, M9, M10, M11, M12)		
261	0121G00454NG CORNER POST-HAIRPIN END 32" (M5, M6, M7)		
261	20464301NG CORNER POST-HAIRPIN END 32" (M1, M2, M3, M4)		

Partition Assembly



Partition Assembly

Ref. Part No:	No:	Description:	Ref. Part No:	No:	Description:
Image 1:					
71	20465305	BLOWER DIVIDER (M1, M2, M3, M4)			
71	20465306	BLOWER DIVIDER (M8, M9)			
71	20465304	BLOWER DIVIDER 32" 10 X 9 (M5, M6, M7)			
71	20465302	DIVIDER-BLOWER 38 (M10, M11, M12, M13, M14, M15)			
101	20465201	FILLER PANEL, HEAT EXCHANGER 32" (M1, M2, M3, M4)			
101	20465202	FILLER PANEL, HEAT EXCHANGER 40" (M8, M9, M10, M11, M12, M13, M14, M15)			
121	20465501	EVAP/HEAT EXCHANGER DIVIDER 32" (M1, M2, M3, M4, M5, M6, M7)			
121	20465502	EVAP/HEAT EXCHANGER DIVIDER 38" (M8, M9, M10, M11, M12, M13, M14, M15)			
131	20465701	FAN PARTITION SHELF			
141	20465801	FAN SURROUND 32" (M1, M2, M3, M4, M5, M6, M7)			
141	20465802	FAN SURROUND 40" (M8, M9, M10, M11, M12, M13, M14, M15)			
221	20464802NG	EVAP/CONTROL DOOR 32" (M1, M2, M3, M4, M5, M6, M7)			
221	20464807NG	EVAP/CONTROL DOOR 32" (M8, M9, M10, M11, M12, M13, M14, M15)			
231	0121G00555	DRAIN CHANNEL, SUCTION TUBE			

Expanded Model Nomenclature

M1 - DP13GM6011541AA
M2 - DP13GM6014041AA
M3 - DP13GM2404541AA
M4 - DP13GM2407041AA
M5 - DP13GM3004541AA
M6 - DP13GM3007041AA
M7 - DP13GM3604541AA
M8 - DP13GM3607041AA
M9 - DP13GM3609041AA
M10 - DP13GM4207041AA
M11 - DP13GM4209041AA
M12 - DP13GM4807041AA
M13 - DP13GM4809041AA
M14 - DP13GM4811541AA
M15 - DP13GM6009041AA

Basepan / Blower Assembly

Image 1

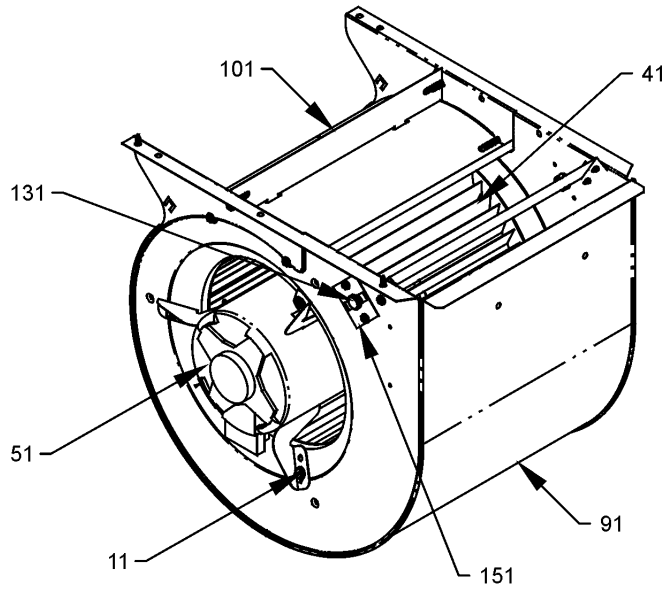
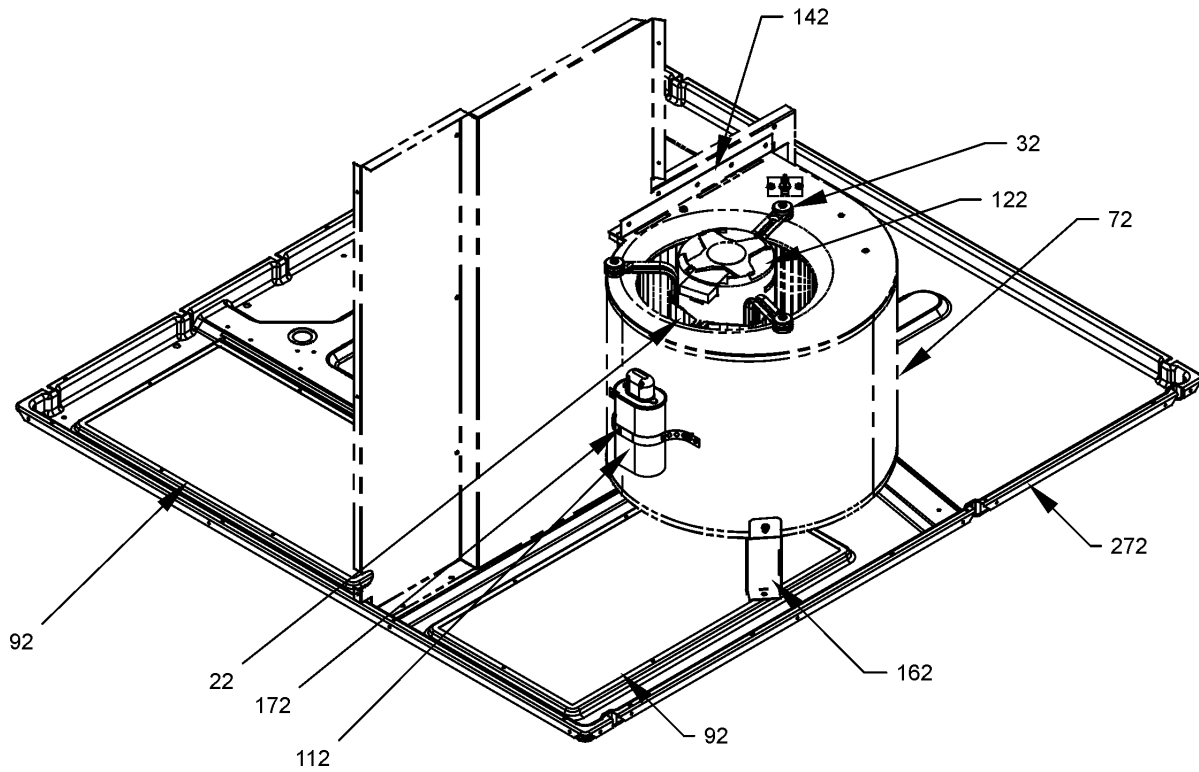


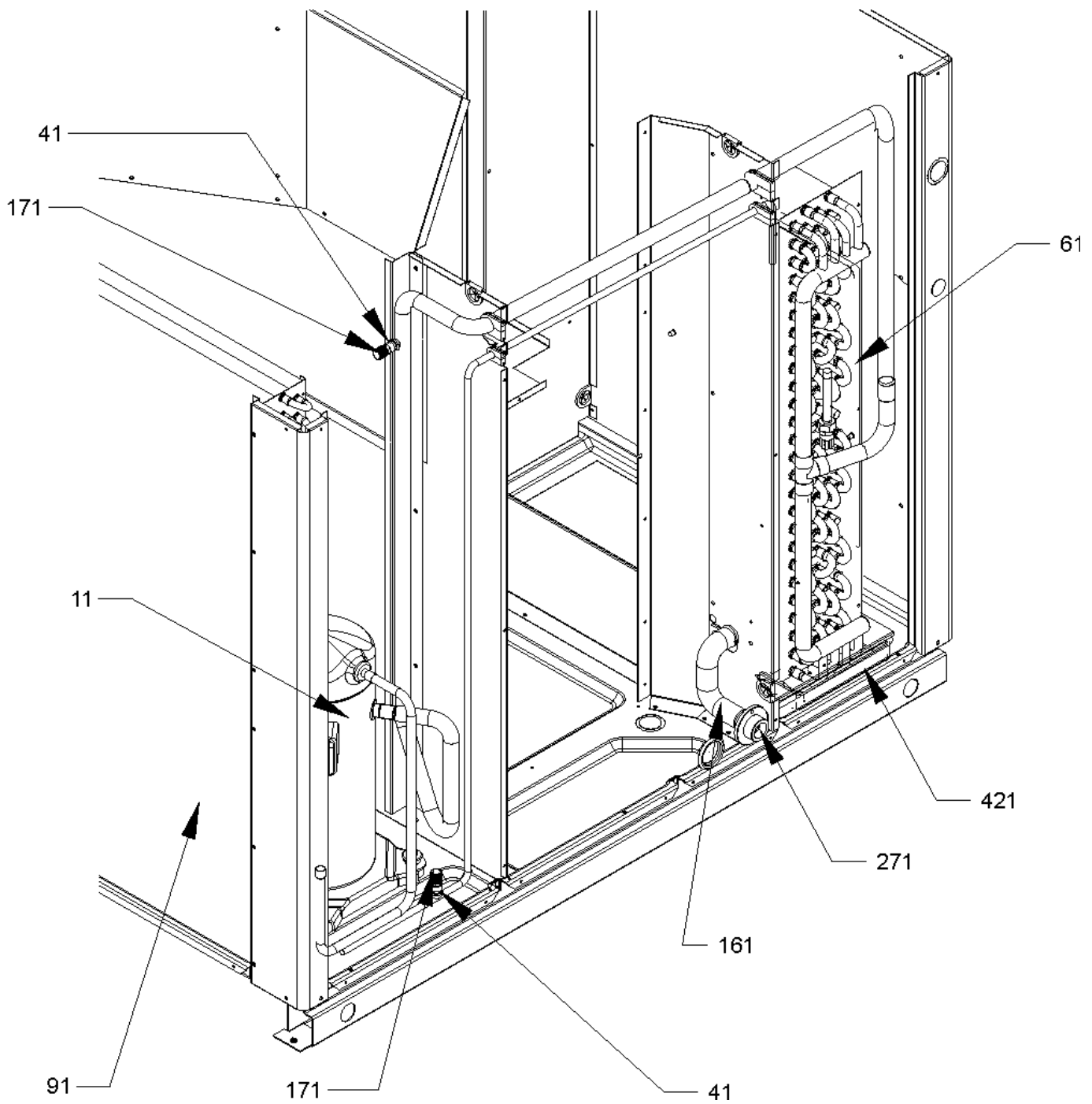
Image 2



Basepan / Blower Assembly

Ref. Part No: No:	Description:	Ref. Part No: No:	Description:
Image 1:		Expanded Model Nomenclature	
11	M0250558	TC SCREW (M1, M2, M3, M4, M5, M6, M7, M8, M9)	M1 - DP13GM6011541AA
11	M0250565	TC SCREW 1.25" (M10, M11, M12, M13, M14, M15)	M2 - DP13GM6014041AA
41	D6723303	BLOWER WHEEL (M5, M6, M7)	M3 - DP13GM2404541AA
41	D6723306	BLOWER WHEEL (M8, M9)	M4 - DP13GM2407041AA
41	B1368016	BLOWER WHEEL 10 X 8 (M3, M4)	M5 - DP13GM3004541AA
41	B1368058	BLOWER WHEEL 10 X 8 (M1, M2)	M6 - DP13GM3007041AA
41	B1368000	BLOWER WHEEL 11 X 10 (M10, M11, M12, M13, M14, M15)	M7 - DP13GM3604541AA
51	11091202	BLOWER MOTOR 1/3 HP, 3 SP, 6 PL (M3, M4)	M8 - DP13GM3607041AA
51	11091203	BLOWER MOTOR 1/3 HP, 3 SP, 6 PL (M5, M6, M7, M8, M9)	M9 - DP13GM3609041AA
51	11091207	BLOWER MOTOR 1/4 HP, 3 SP, 8 PL (M1, M2)	M10 - DP13GM4207041AA
91	2539202	BLOWER SCROLL (M10, M11, M12, M13, M14, M15)	M11 - DP13GM4209041AA
91	2539205	BLOWER SCROLL (M3, M4)	M12 - DP13GM4807041AA
91	2539207	BLOWER SCROLL (M5, M6, M7)	M13 - DP13GM4809041AA
91	2939204	BLOWER SCROLL 10X10 (M8, M9)	M14 - DP13GM4811541AA
91	2939203	BLOWER SCROLL 10X8 (M1, M2)	M15 - DP13GM6009041AA
101	764742	BLOWER BLOCK-OFF (M5, M6, M7)	
101	764741	BLOWER BLOCK-OFF 10 X 10 (M8, M9)	
101	764740	BLOWER BLOCK-OFF 10 X 8 (M1, M2, M3, M4)	
101	1864703F	BLOWER CUT-OFF (M10, M11, M12, M13, M14, M15)	
131	20269903	AUXILIARY LIMIT, AUTO RESET (M3, M4, M5, M6, M7, M8, M9, M10, M11, M12, M13, M14, M15)	
151	2509503F	AUXILIARY LIMIT BRACKET (M1, M2)	
NS	B1392143	GROMMET, 26TAL F/TORSIN FLEX (M1, M2, M8, M9)	
Image 2:			
22	0121M00038	MOTOR MOUNT BAND (M10, M11, M12, M13, M14, M15)	
32	B1376857	MOTOR MOUNT ARM (M10, M11, M12, M13, M14, M15)	
72	2539309	BLOWER HOUSING ASSY 11 X 10 (M10, M11, M12, M13, M14, M15)	
92	0121G00148	SINGLE COVER, DOWN DISCHARGE (QTY 2)	
112	CAP100000370LA	CAPACITOR 10/370V (M1, M2, M3, M4, M5, M6, M7, M8, M9)	
122	0131M00442	PROGRAMMED MOTOR (M10, M11, M12)	
122	0131M00443	PROGRAMMED MOTOR (M13, M14, M15)	
142	20463701	11 X 10 BLOWER MOUNTING (M10, M11, M12, M13, M14, M15)	
162	4322801	11 X 10 BLOWER SUPPORT LRG (M10, M11, M12, M13, M14, M15)	
172	20520901	CAPACITOR STRAP (M1, M2, M3, M4, M5, M6, M7, M8, M9)	
272	0121G00444	BASEPAN, PACKAGE	
NS	B821700	CAPACITOR BOOT (M1, M2, M3, M4, M5, M6, M7, M8, M9)	
NS	B1393800	LOCKNUT, NYLON, INSERT 1/4, 20 (M10, M11, M12, M13, M14, M15)	
NS	B1393561	SCREW,HWH,10X1/2,SD,BZ,UNSLOTD (M1, M2, M3, M4, M5, M6, M7, M8, M9)	
NS	B1393553	SCREW,HWH,14X5/8,A,BZ,SLOT (M10, M11, M12, M13, M14, M15)	

Compressor / Tubing Assembly



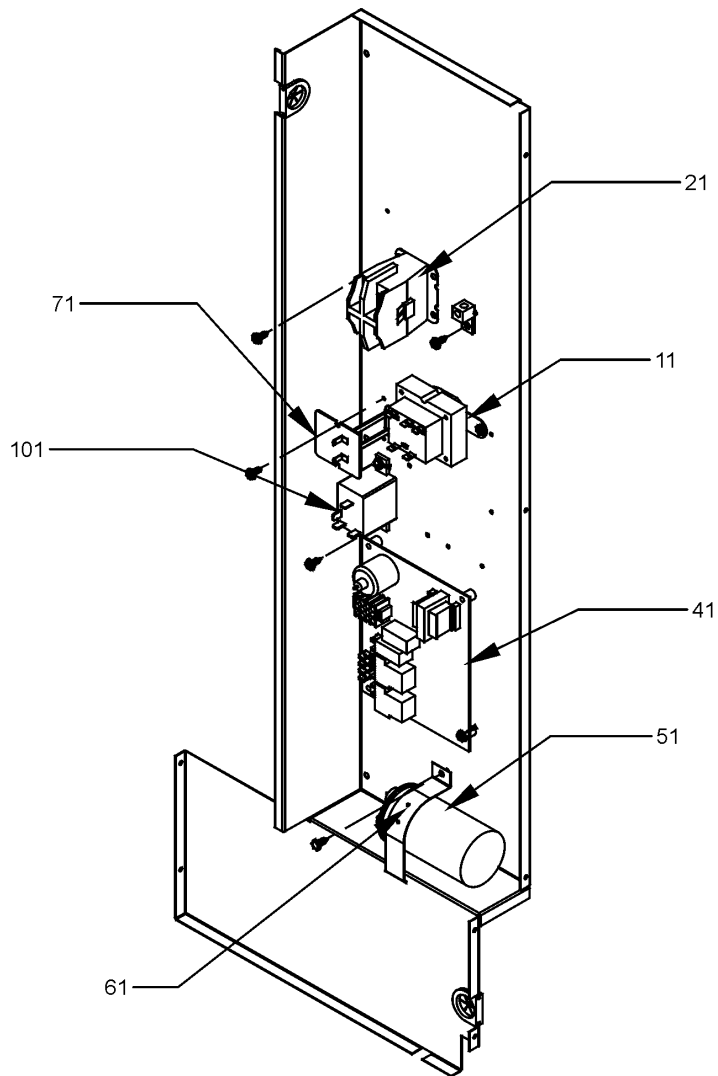
Compressor / Tubing Assembly

Ref. Part No: No:	Description:	Ref. Part No: No:	Description:
Image 1:		Expanded Model Nomenclature	
11	ZP20K5EPFV130	COMPRESSOR 25200, 208/230/60/1 (M3, M4)	M1 - DP13GM6011541AA
11	ZP25K5EPFV130	COMPRESSOR 25200, 208/230/60/1 (M5, M6)	M2 - DP13GM6014041AA
11	ZP31K5EPFV130	COMPRESSOR 31100, 208/230/60/1 (M7, M8, M9)	M3 - DP13GM2404541AA
11	ZP34K5EPFV130	COMPRESSOR 34500, 208/230/60/1 (M10, M11)	M4 - DP13GM2407041AA
11	ZP39K5EPFV130	COMPRESSOR 39000, 208/230/60/1 (M12, M13, M14)	M5 - DP13GM3004541AA
11	ZP51K5EPFV130	COMPRESSOR 51000, 208/230/60/1 (M1, M2, M15)	M6 - DP13GM3007041AA
41	B1373315	ACCESS FITTING (QTY 2)	M7 - DP13GM3604541AA
61	0202G00565	COIL TUBING ASSY (M1, M2)	M8 - DP13GM3607041AA
61	0202G00566	COIL TUBING ASSY (M3, M4)	M9 - DP13GM3609041AA
61	0202G00567	COIL TUBING ASSY (M5, M6, M7)	M10 - DP13GM4207041AA
61	0202G00569	COIL TUBING ASSY (M13, M14, M15)	M11 - DP13GM4209041AA
61	0202G00570	COIL TUBING ASSY (M8, M9)	M12 - DP13GM4807041AA
61	0202G00684	COIL TUBING ASSY (M10, M11, M12)	M13 - DP13GM4809041AA
91	0201G00139	COND COIL TUBING ASSY (M8, M9, M10, M11, M12)	M14 - DP13GM4811541AA
91	0201G00142	COND COIL TUBING ASSY (M1, M2, M3, M4)	M15 - DP13GM6009041AA
91	0201G00249	COND COIL TUBING ASSY (M5, M6, M7)	
91	0201G00252	COND COIL TUBING ASSY (M13, M14, M15)	
161	20498302	DRAIN TUBE 32" (M5, M6, M7)	
161	20498301	DRAIN TUBE 40" (M13, M14, M15)	
171	0163M00175	CAP WITH O-RING (QTY 2)	
271	20513001	EVAP DRAIN FITTING	
421	20464901DF	DRAIN PAN-EVAP COIL	
NS	B1339533	COMPRESSOR GROMMET (QTY 4)	
NS	0159G00002	COMPRESSOR SCROLL HARNESS (M1, M2, M3, M4)	
NS	0159G00006	COMPRESSOR SCROLL HARNESS (M8, M9, M10, M11, M12, M13, M14, M15)	
NS	0130M00074	CUT-OUT SWITCH, HIGH PRESSURE	
NS	0162M00301	FLOWRATOR, AL (M8, M9)	
NS	0162M00302	FLOWRATOR, AL (M3, M4)	
NS	0162M00304	FLOWRATOR, AL (M10, M11, M12) FLOWRATOR, AL (M1, M2)	
NS	0162M00307	FLOWRATOR, AL (M5, M6, M7)	
NS	0162M00308	FLOWRATOR, AL (M13, M14, M15)	
NS	0162M00309	HOSE CLAMP 1.25 (QTY 2)	
NS	B1810011	SINGLE-FLOW FILTER DRIER, STEEL (M1, M2, M3, M4, M5, M6, M7)	
NS	B1219212	SINGLE-FLOW FILTER DRIER, STEEL (M1, M2, M3, M4, M5, M6, M7)	
NS	B1219225	SINGLE-FLOW FILTER DRIER, STEEL (M8, M9, M10, M11, M12, M13, M14, M15)	
NS	M0221641	TF SHOULDER SCREW (QTY 4)	
NS	0163M00005P	WASHER, BLACK (.50 OD .218ID) (QTY 4)	

Heat Exchanger / Manifold / Gas Valve

Ref. Part No: No:	Description:	Ref. Part No: No:	Description:
<i>Image 1:</i>		Expanded Model Nomenclature	
21	0131G00007	MOTOR, ID BLOWER	M1 - DP13GM6011541AA
31	0121G00433	PLATE-ID BLWR LRG BRNR (M8, M10)	M2 - DP13GM6014041AA
31	0121G00430	PLATE-ID BLWR LRG 4 BRNR (M9, M11, M13)	M3 - DP13GM2404541AA
31	0121G00431	PLATE-ID BLWR LRG 5 BRNR (M12, M14)	M4 - DP13GM2407041AA
31	0121G00432	PLATE-ID BLWR LRG 6 BRNR (M15)	M5 - DP13GM3004541AA
31	0121G00427	PLATE-ID BLWR SML 2 BRNR (M1, M3, M5)	M6 - DP13GM3007041AA
31	0121G00428	PLATE-ID BLWR SML 3 BRNR (M2, M4, M6)	M7 - DP13GM3604541AA
31	0121G00429	PLATE-ID BLWR SML 4 BRNR (M7)	M8 - DP13GM3607041AA
41	11112501	PRESSURE SWITCH	M9 - DP13GM3609041AA
51	20490715	PART/TUBE ASSY (M1, M3, M5)	M10 - DP13GM4207041AA
51	20490717	PART/TUBE ASSY (M8, M10)	M11 - DP13GM4209041AA
51	20490718	PART/TUBE ASSY (M15)	M12 - DP13GM4807041AA
51	20490710	PART/TUBE ASSY 3B (M2, M4, M6)	M13 - DP13GM4809041AA
51	20490711	PART/TUBE ASSY 4B (M7)	M14 - DP13GM4811541AA
51	20490712	PART/TUBE ASSY 4B (M9, M11, M13)	M15 - DP13GM6009041AA
51	20490713	PART/TUBE ASSY 5B (M12, M14)	
71	0130F00014	IGNITOR	
81	0151M00013	GAS VALVE (HW) SINGLE STAGE	
91	0130F00010	FLAME SENSOR	
101	0121M00035P	MANIFOLD - 2 BRNR (M1, M3, M5)	
101	0121M00036P	MANIFOLD - 3 BRNR (M8, M10)	
101	20493103	MANIFOLD - 3 BRNR (M2, M4, M6)	
101	20493104	MANIFOLD - 4 BRNR (M7)	
101	20493105	MANIFOLD - 4 BRNR (M9, M11, M13)	
101	20493106	MANIFOLD - 5 BRNR (M12, M14)	
101	20493107	MANIFOLD - 6 BRNR (M15)	
111	10735102	BECKETT BURNER (QTY 2)	
121	20190410	BURNER BRACKET 2B (M1, M3, M5)	
121	20190411	BURNER BRACKET 3B (M2, M4, M6, M8, M10)	
121	20190412	BURNER BRACKET 4B (M7, M9, M11, M13)	
121	20190413	BURNER BRACKET 5B (M12, M14)	
121	0121F00145	BURNER BRACKET 6B (M15)	
131	10123532	MANUAL RESET LIMIT 350°F	
141	20484401	FLUE ELBOW LEFT	
141	20484402	FLUE ELBOW RIGHT	
151	11072201	ORIFICE SHIELD (M1, M3, M5)	
151	11072202	ORIFICE SHIELD (M2, M4, M6, M8, M10)	
151	11072203	ORIFICE SHIELD (M7, M9, M11, M13)	
151	11072204	ORIFICE SHIELD (M12, M14)	
151	11072205	ORIFICE SHIELD (M15)	
161	0163F00018	ORIFICE (QTY 2)	
NS	0154G00003	GASKET, ID BLOWER & PLATE (M7)	
NS	0154G00004	GASKET, ID BLOWER & PLATE (M8, M9, M10, M11, M12, M13, M14, M15)	
NS	11190202	HEAT DEFLECTOR	
NS	DY6.186.070	VENT MOTOR CAPACITOR	

Control Panel



Control Panel

Ref. Part No:	No:	Description:	Ref. Part No:	No:	Description:
Image 1:					
11	0130M00138	TRANSFORMER 208/230, 24V			
21	CONT1P025024V	CONTACTOR 25 AMP, 1P, 24V (M1, M2, M3, M4, M5, M6, M7)			
21	CONT1P030024V	CONTACTOR 30 AMP, 1P, 24V (M8, M9, M10, M11, M12, M13, M14, M15)			
41	PCBAG123	IGNITION BOARD, DSI INTEGRATED			
51	CAP050350440CS	CAPACITOR 5/35/440V (M1, M2)			
51	CAP050400440CT	CAPACITOR 5/40/440V/DUAL RD (M3, M4)			
51	CAP050450440CT	CAPACITOR 5/45/440V/DUAL RD (M5, M6, M7, M8, M9, M10, M11, M12)			
51	CAP050700440CT	CAPACITOR 5/70/440V/DUAL RD (M13, M14, M15)			
61	20520901	CAPACITOR STRAP			
71	10728342	LIMIT SWITCH (M1, M2, M3, M4)			
71	10728343	LIMIT SWITCH (M5, M6, M7, M15)			
71	10728344	LIMIT SWITCH (M8, M9, M10, M11, M12, M13, M14)			
101	0130M00242	24V RELAY (M13, M14, M15)			
101	B1370751	24V RELAY (M10, M11, M12)			
NS	0259G00009	BLOWER HARNESS (M1, M2, M3, M4, M5, M6, M7, M8, M9)			
NS	0259G00023	BLOWER HARNESS (M10, M11, M12, M13, M14, M15)			
NS	0259G00081	HARNESS-CONTROL (M8, M9)			
NS	0259G00083	HARNESS-CONTROL (M10, M11, M12)			
NS	0259G00084	HARNESS-CONTROL (M13, M14, M15)			
NS	0259G00086	HARNESS-CONTROL (M5, M6, M7)			
NS	0259G00118	HARNESS-CONTROL, FAN (M2, M3, M4)			
NS	0259G00119	HARNESS-CONTROL, FAN (M1)			
NS	0259G00113	PLUG ASSY, 12 PIN MALE (M8, M9, M10, M11, M12, M13, M14, M15)			
NS	0259G00116	PLUG ASSY, 12 PIN MALE (M1, M2, M3, M4, M5, M6, M7)			

Expanded Model Nomenclature

M1 - DP13GM6011541AA
M2 - DP13GM6014041AA
M3 - DP13GM2404541AA
M4 - DP13GM2407041AA
M5 - DP13GM3004541AA
M6 - DP13GM3007041AA
M7 - DP13GM3604541AA
M8 - DP13GM3607041AA
M9 - DP13GM3609041AA
M10 - DP13GM4207041AA
M11 - DP13GM4209041AA
M12 - DP13GM4807041AA
M13 - DP13GM4809041AA
M14 - DP13GM4811541AA
M15 - DP13GM6009041AA