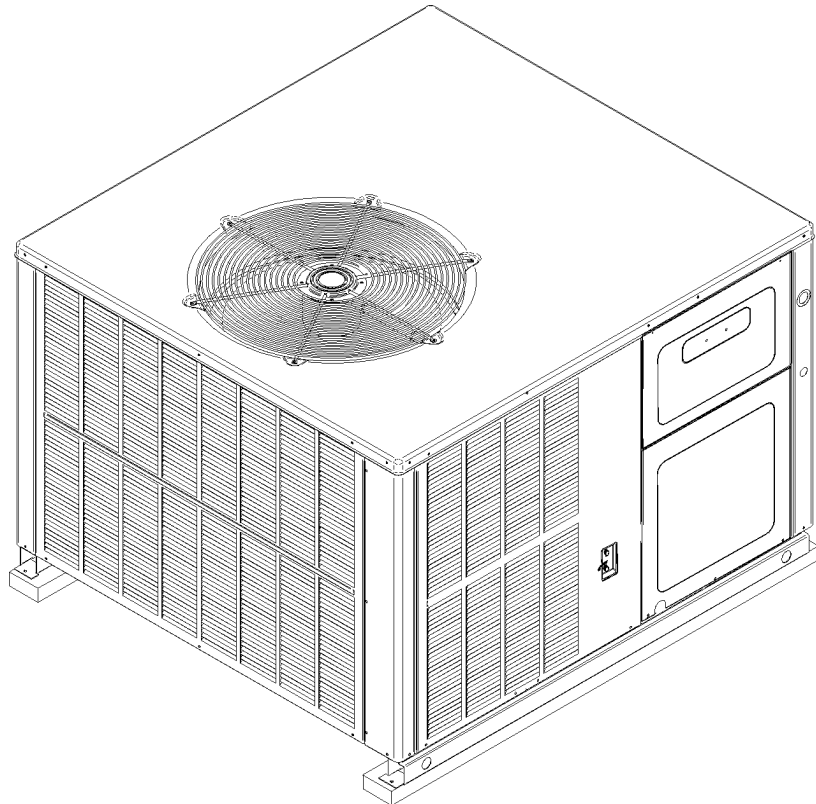


DP13CM Package Cooling Units 3-Phase

DP13CM3643AA

DP13CM4843AA

DP13CM6043AA



This manual is to be used by qualified technicians only.

Important Information

Index

Functional Parts List	3
Illustration and Parts	4 - 11

Views shown are for parts illustrations only, not servicing procedures.

Introduction of Daikin branded products.

Text Codes:

AR - As Required

NA - Not Available

NS - Not Shown

00000000 - See Note

QTY - Quantity Example (QTY 3) (If Quantity not shown, Quantity = 1)

M - Model Example (M1) (If M Code not shown, then part is used on all Models)

Expanded Model Nomenclature:

Example M1 - Model#1 M2 - Model#2 M3 - Model#3

Daikin Company, L.P. is not responsible for personal injury or property damage resulting from improper service. Review all service information before beginning repairs.

Warranty service must be performed by an authorized technician, using authorized factory parts. If service is required after the warranty expires, Daikin Company, L.P. also recommends contacting an authorized technician and using authorized factory parts.

Daikin Company, L.P. reserves the right to discontinue, or change at any time, specifications or designs without notice or without incurring obligations.

For assistance within the U.S.A. contact:

Consumer Affairs Department
Daikin North America, LLC
7401 Security Way
Houston, Texas 77040
855-770-5678-Telephone
713-863-2382-Facsimile

For assistance outside the U.S.A. contact:

International Division
Daikin North America, LLC
7401 Security Way
Houston, Texas 77040
713-861-2500-Telephone
713-863-2382-Facsimile

Functional Parts

Part

No:

Description:

11091203	BLOWER MOTOR 1/3 HP, 3 SP, 6 PL (M1)
0131M00460	BLOWER PROGRAMMED MOTOR (M3)
0131M00467	BLOWER PROGRAMMED MOTOR (M2)
D6723303	BLOWER WHEEL
CAP100000370VA	CAPACITOR 10/370V [BLOWER] (M1)
CAP050000370VA	CAPACITOR 5/370V
0131M00429	COND MOTOR 1/4 HP, 1 SP, 6 PL
CONT3P025024V	CONTACTOR 25 AMP, 3P, 24V
PCBFM131	ELECTRONIC BLOWER TIME DELAY RELAY (M1)
0150M00011	FAN BLADE SWEPT-WING (M2, M3)
0150G00002	FAN BLADE SWEPT-WING (M1)
0130M00074	HIGH PRESSURE SWITCH
B1141643	TRANSFORMER 208/230, 24V

Expanded Model Nomenclature

M1 - DP13CM3643AA

M2 - DP13CM4843AA

M3 - DP13CM6043AA

Cabinet Assembly

Image 1

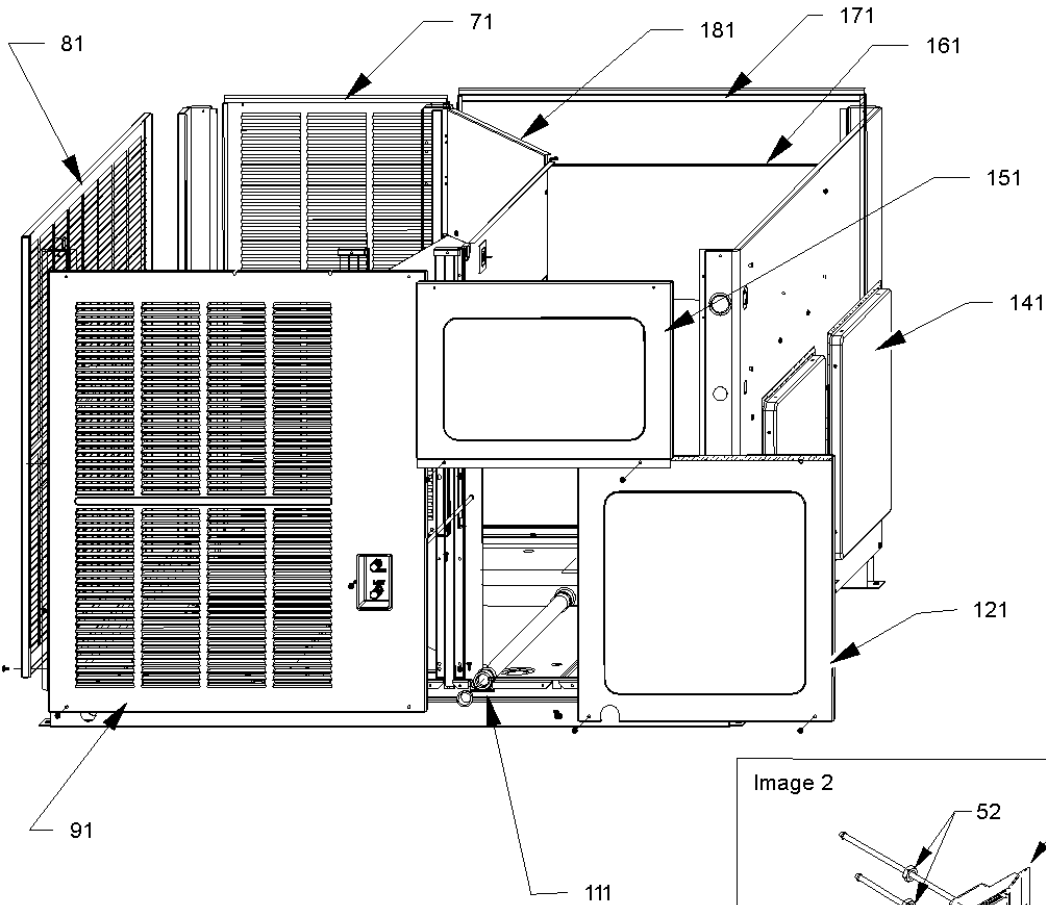
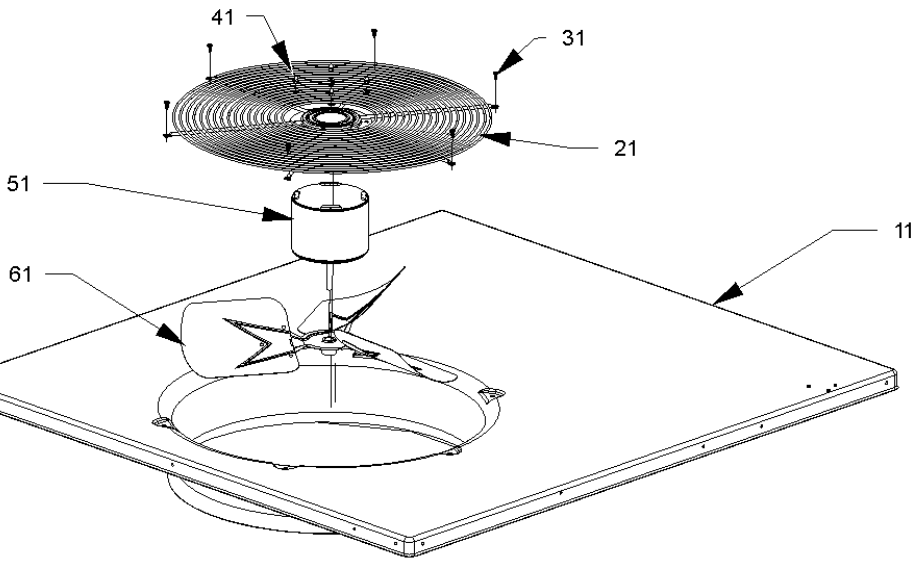
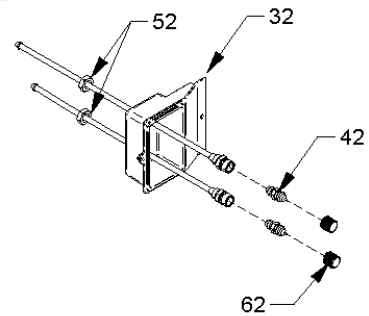


Image 2



Cabinet Assembly

Ref. Part No: No:	Description:	Ref. Part No: No:	Description:
-------------------	--------------	-------------------	--------------

Image 1:

11	0121G00156NG	PNL, TOP, PNT
21	0152G00000	FAN GRILLE, RAISED
31	M0221817	SMALL SCREW (QTY 6)
41	0163M00006P	ACORN NUT 5/16 HEX BLACK (QTY 4)
51	0131M00429	COND MOTOR 1/4 HP, 1 SP, 6 PL
61	0150G00002	FAN BLADE SWEPT-WING (M1)
61	0150M00011	FAN BLADE SWEPT-WING (M2, M3)
71	0121G00465NG	LOUVERED PANEL, COND SIDE 32" (M1)
71	20467702NG	LOUVERED PANEL, COND SIDE 40" (M2, M3)
81	20464401NG	LOUVERED PANEL, COND SIDE 32" (M1)
81	20464402NG	LOUVERED PANEL, COND SIDE 40" (M2, M3)
91	0121G00147NG	LOUVERED PANEL 4 BANK 40", COMP SIDE (M3)
91	0121G00223NG	SOLID PANEL COMPRESSOR 32.5" (M1)
91	0121G00224NG	SOLID PANEL COMPRESSOR 40" (M2)
111	0261G00000	DRAIN PIPE
121	20464801NG	DOOR -BLOWER 32, PNT (M1)
121	20464806NG	DOOR-BLOWER 40, PNT (M2, M3)
141	20464501NG	BACK DUCT COVER 27" & 32" (M1)
141	20464502NG	BACK DUCT COVER 40" (M2, M3)
151	0121G00213NG	CONTROL BOX PANEL
161	0121G00219	EVAP BLOCK-OFF, TOP 32.5" (M1)
161	0121G00220	EVAP BLOCK-OFF, TOP 40" (M2, M3)
171	0121G00165NG	PNL, BLO, CNVRT, 32.5", PNT (M1)
171	0121G00168NG	PNL, BLO, CNVRT, 40" PNT (M2, M3)
181	0221G00013P	ASSY, SHRD, FAN
NS	17788000083F	PVC CONDUIT 8.25"

Image 2:

32	0161G00008	ACCESS-FITTING BOX
42	B1373315	ACCESS FITTING (QTY 2)
52	0163G00000P	FASTEST FITTING NUT (QTY 2)
62	0163M00175	CAP WITH O-RING (QTY 2)

Expanded Model Nomenclature

M1 - DP13CM3643AA
M2 - DP13CM4843AA
M3 - DP13CM6043AA

Partition Panel/Compressor

Image 1

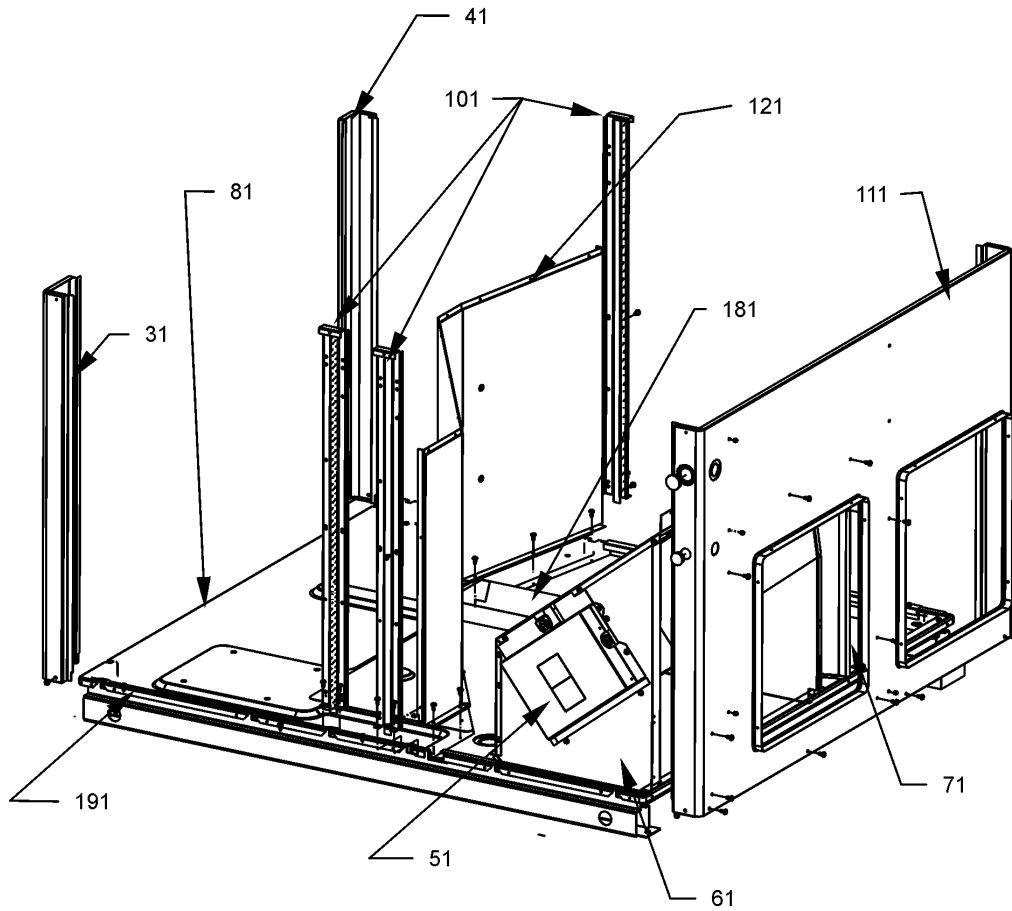
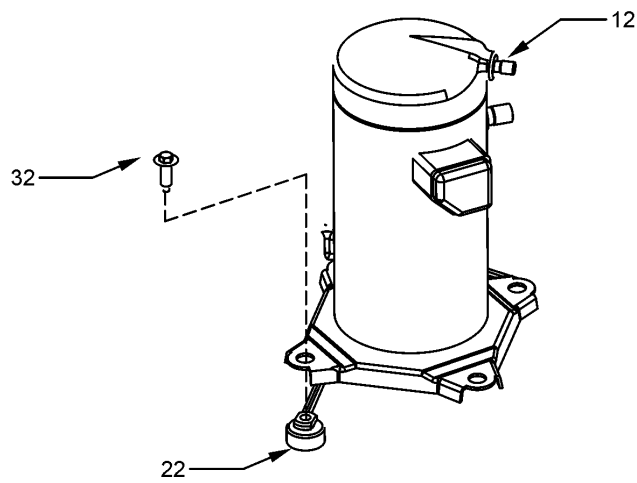


Image 2



Partition Panel/Compressor

Ref. Part No: No:	Description:	Ref. Part No: No:	Description:
-------------------	--------------	-------------------	--------------

Image 1:

31	20464202NG	CORNER POST-COMP END 40" (M2, M3)
31	0121G00453NG	CORNER-POST COMP END, PNT (M1)
41	20464302NG	CORNER POST-HAIRPIN END 40" (M2, M3)
41	0121G00454NG	CORNER-POST HPIN END, PNT (M1)
51	0121G00221	HEATER KIT COVER (QTY 2)
61	0221G00014	BLOWER TRANSITION ASSY
71	0121G00158	EVAP BLOCK-OFF 32.5" (M1)
71	0121G00159	EVAP BLOCK-OFF 40" (M2, M3)
81	0121G00444	BASEPAN, PACKAGE
101	0121G00208	SUPPORT POST 32" (M1)
101	0121G00209	SUPPORT POST 40" (M2, M3)
111	0121G00440NG	PNL, DUCT, CNVRT 32.5",PNT (M1)
111	0121G00441NG	PNL, DUCT, CNVRT 40", PNT (M2, M3)
121	0121G00510	PARTITION, 32.5" (M1)
121	0121G00511	PARTITION, 40" (M2, M3)
181	0161G00003	PLASTIC DRIP PAN
191	0121G00290	BASE PAN RAIL (QTY 2)
NS	0121G00235	FAN BAFFLE
NS	B1219225	SINGLE-FLOW FILTER DRIER, STEEL

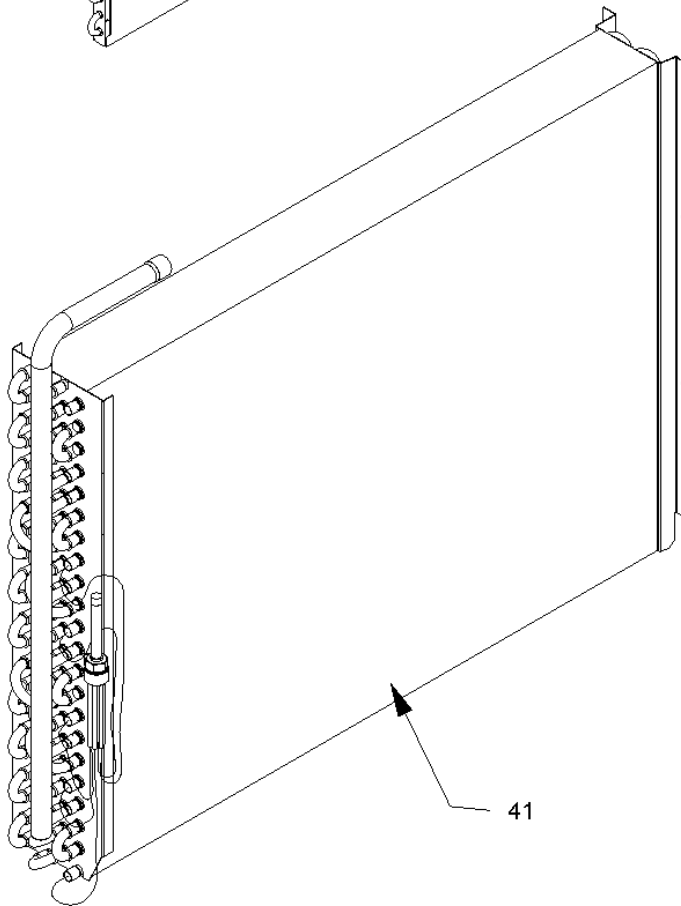
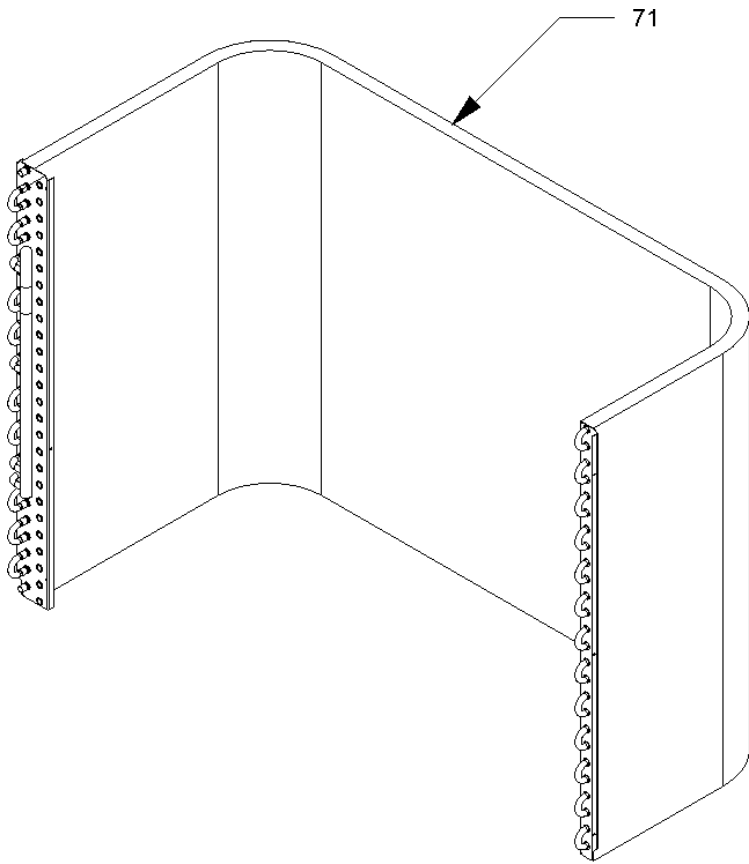
Image 2:

12	ZP31K5ETF5130	COMPRESSOR 31200, 200/230/60/3 (M1)
12	ZP39K5ETF5130	COMPRESSOR 39000, 200/230/60/3 (M2)
12	ZP51K5ETF5130	COMPRESSOR 51000, 208/230/60/3 (M3)
22	B1339533	COMPRESSOR GROMMET (QTY 4)
32	M0221641	TF SHOULDER SCREW (QTY 4)
NS	0159G00007	COMPRESSOR SCROLL HARNESS

Expanded Model Nomenclature

M1 - DP13CM3643AA
M2 - DP13CM4843AA
M3 - DP13CM6043AA

Coil/Evap Assembly



Coil/Evap Assembly

Ref. Part No: No:	Description:	Ref. Part No: No:	Description:
------------------------------	---------------------	------------------------------	---------------------

Image 1:

41	0202G00398	EVAP COIL ASSY (M1)
41	0202G00400	EVAP COIL ASSY (M2)
41	0202G00401	EVAP COIL ASSY (M3)
71	0201G00093	COND COIL TUBING ASSY (M3)
71	0201G00144	COND COIL TUBING ASSY (M2)
71	0201G00249	COND COIL TUBING ASSY (M1)
NS	0121G00509	DRIP SHIELD
NS	0130M00074	HIGH PRESSURE SWITCH

Expanded Model Nomenclature

M1 - DP13CM3643AA

M2 - DP13CM4843AA

M3 - DP13CM6043AA

Control Panel/Blower Assembly

Image 1

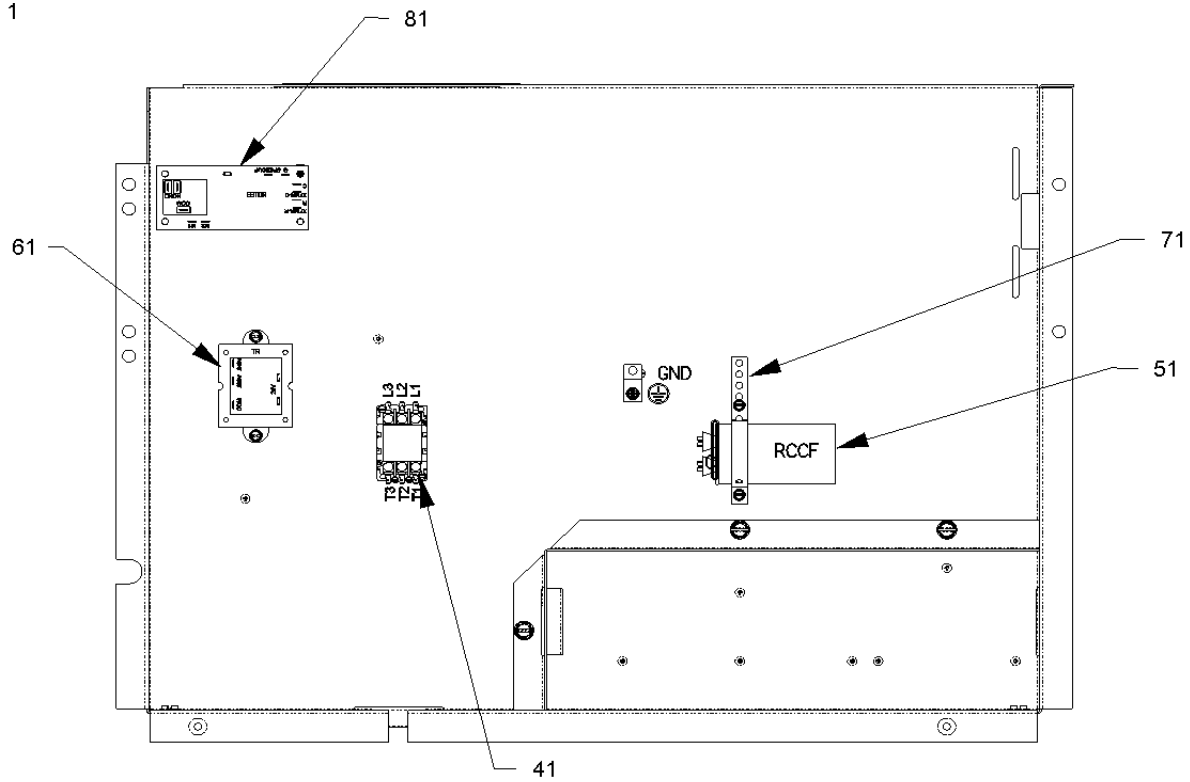
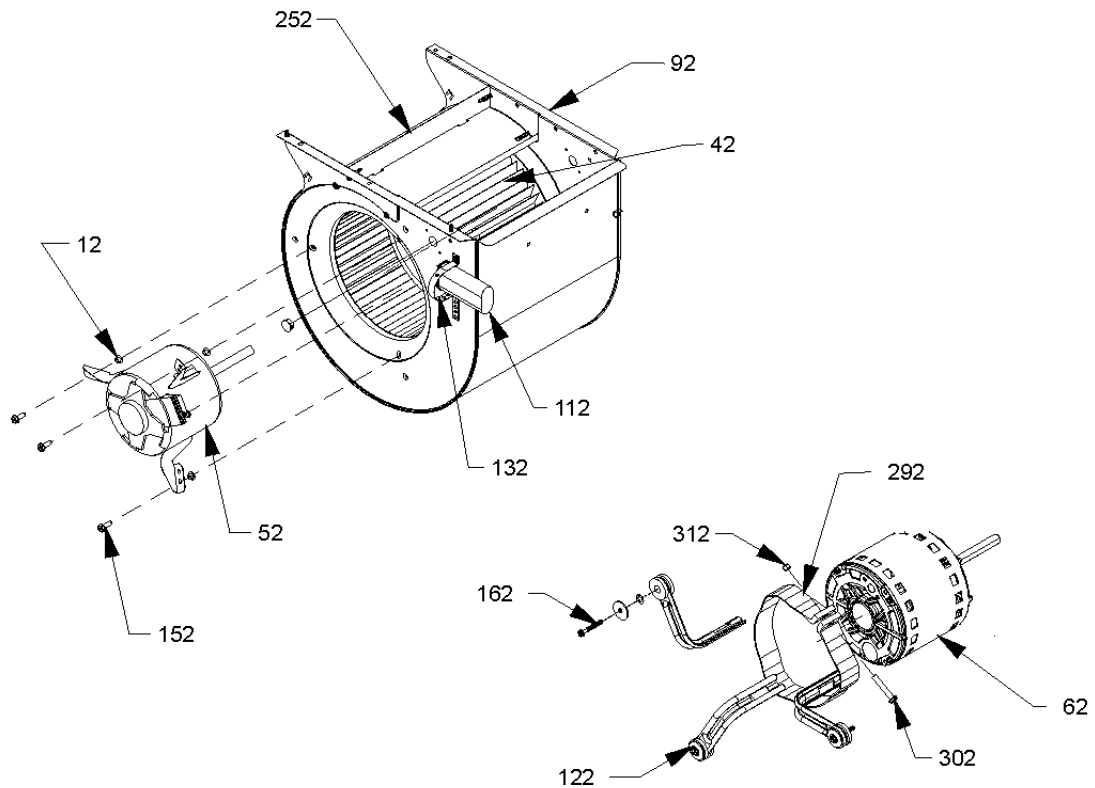


Image 2



Control Panel/Blower Assembly

Ref. Part No: No:	Description:	Ref. Part No: No:	Description:
-------------------	--------------	-------------------	--------------

Image 1:

41	CONT3P025024V	CONTACTOR 25 AMP, 3P, 24V
51	CAP050000370VA	CAPACITOR 5/370V
61	B1141643	TRANSFORMER 208/230, 24V
71	20520901	CAPACITOR STRAP
81	PCBFM131	ELECTRONIC BLOWER TIME DELAY RELAY (M1)
NS	0259G00001P	WIRE HARNESS, ELECTRIC HEAT (M1)
NS	0259G00021	WIRE HARNESS, ELECTRIC HEAT (M2, M3)
NS	0259G00111	WIRE HARNESS-ECON

Image 2:

12	B1392143	GROMMET, 26TAL F/TORSIN FLEX (M1)
42	D6723303	BLOWER WHEEL
52	11091203	BLOWER MOTOR 1/3 HP, 3 SP, 6 PL (M1)
62	0131M00460	BLOWER PROGRAMMED MOTOR (M3)
62	0131M00467	BLOWER PROGRAMMED MOTOR (M2)
92	0271G00024	BLOWER HOUSING ASSY 10 X 9
112	CAP100000370VA	CAPACITOR 10/370V [BLOWER] (M1)
122	B1376857	MOTOR MOUNT ARM (M2, M3)
132	20520901	CAPACITOR STRAP (M1)
152	M0250558	TC SCREW (M1)
162	M0250565	TC SCREW 1.25" (M2, M3)
252	764742	BLOWER BLOCK-OFF
292	0121M00038	MOTOR MOUNT BAND (M2, M3)
302	B1393323	MACHINE SCREW HWH 1/4-20 X 1-1/2 BZ (M2, M3)
312	B1393800	LOCKNUT, NYLON, INSERT 1/4, 20 (M2, M3)
NS	0259G00059	BLOWER HARNESS (M2, M3)
NS	B821700	CAPACITOR BOOT (M1)

Expanded Model Nomenclature

M1 - DP13CM3643AA
M2 - DP13CM4843AA
M3 - DP13CM6043AA