

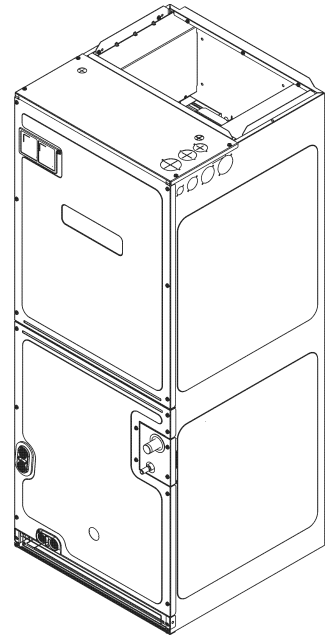
DMVE* Air Handler Inverter

DMVE24BP1400AA

DMVE36CP1400AA

DMVE48DP1400AA

DMVE60DP1400AA



This manual is to be used by qualified technicians only.

Important Information

Index

Functional Parts List	3
Illustration and Parts	4 - 9

Views shown are for parts illustrations only, not servicing procedures.

Text Codes:

AR - As Required

NA - Not Available

NS - Not Shown

00000000 - See Note

QTY - Quantity Example (QTY 3) (If Quantity not shown, Quantity = 1)

M - Model Example (M1) (If M Code not shown, then part is used on all Models)

Expanded Model Nomenclature:

Example
M1 - Model#1
M2 - Model#2
M3 - Model#3

Daikin Comfort Technologies Manufacturing , L.P. is not responsible for personal injury or property damage resulting from improper service. Review all service information before beginning repairs.

Warranty service must be performed by an authorized technician, using authorized factory parts. If service is required after the warranty expires, Daikin Comfort Technologies Manufacturing , L.P. also recommends contacting an authorized technician and using authorized factory parts.

Daikin Comfort Technologies Manufacturing , L.P. reserves the right to discontinue, or change at any time, specifications or designs without notice or without incurring obligations.

For assistance within the U.S.A. contact:
Equipment Support
Daikin Comfort Technologies Manufacturing , L.P.
19001 Kermier Road
Waller, Texas 77484
855-770-5678-Telephone
713-863-2382-Facsimile

For assistance outside the U.S.A. contact:
International Division
Daikin Comfort Technologies Manufacturing , L.P.
19001 Kermier Road
Waller, Texas 77484
713-861-2500-Telephone
713-863-2382-Facsimile

Functional Parts

Part

No: Description:

SHARED DATA	Available thru CoolCloud HVAC app
0121A00913	BRACKET, TRANSFORMER
0131M01011	MOTOR, 1 HP (M3, M4)
0131M01002	MOTOR, 1/2 HP (M1)
0131M01003	MOTOR, 3/4 HP (M2)
2P561240-1	PCB ASSY
3S481012-1	PRESSURE SENSOR
0130M00138	TRANSFORMER, 208/230, 24V (QTY 2)

Expanded Model Nomenclature

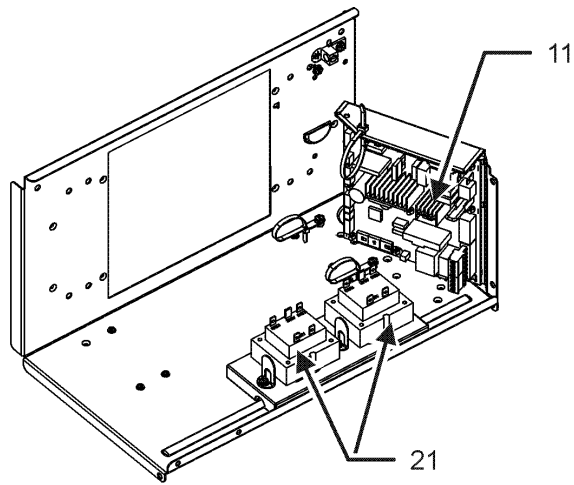
M1 - DMVE24BP1400AA

M2 - DMVE36CP1400AA

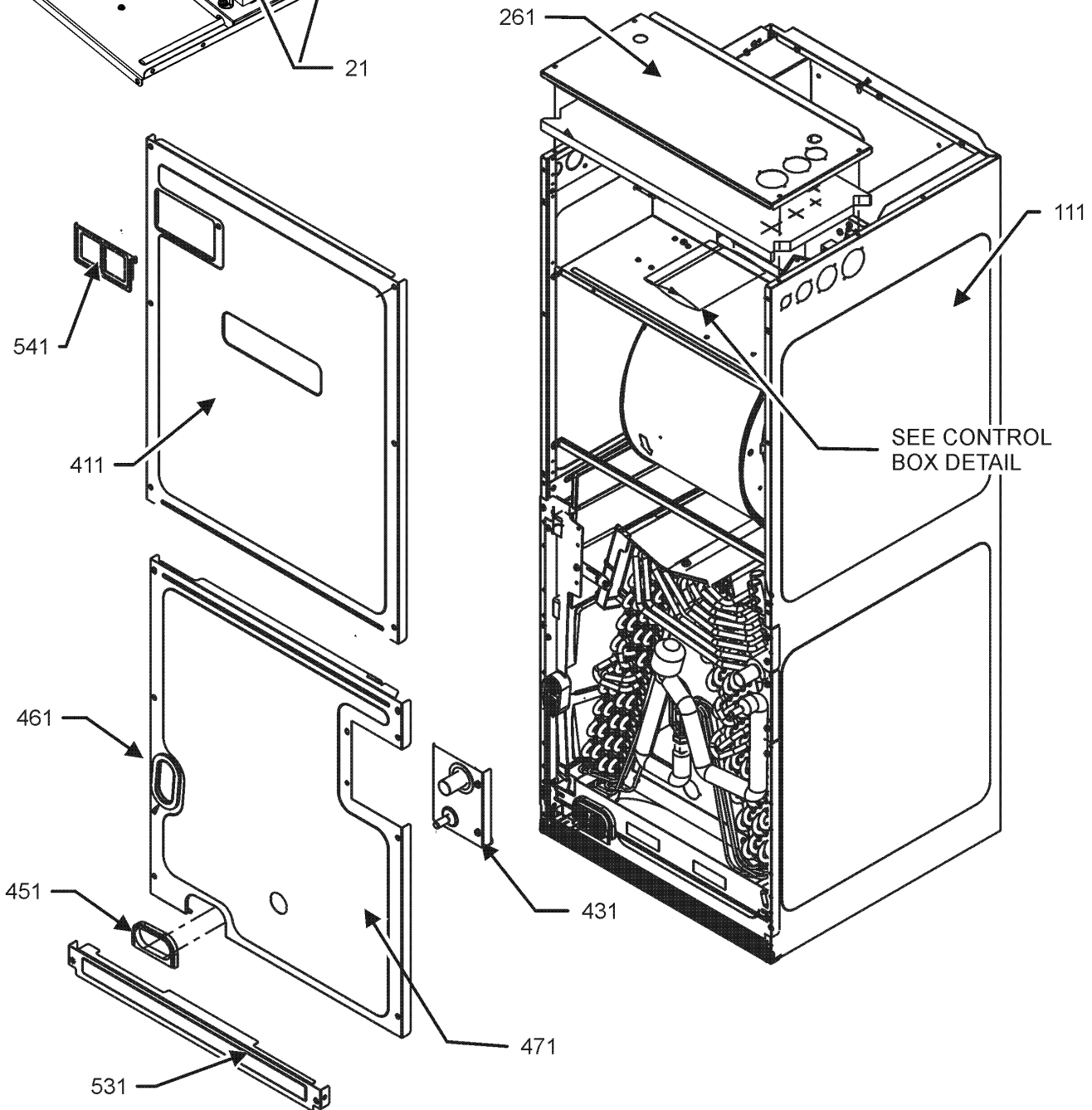
M3 - DMVE48DP1400AA

M4 - DMVE60DP1400AA

WRAPPER & CONTROL BOX ASSY



CONTROL BOX DETAIL



WRAPPER & CONTROL BOX ASSY

Ref. Part No:	Part No:	Description:	Ref. Part No:	Part No:	Description:
---------------	----------	--------------	---------------	----------	--------------

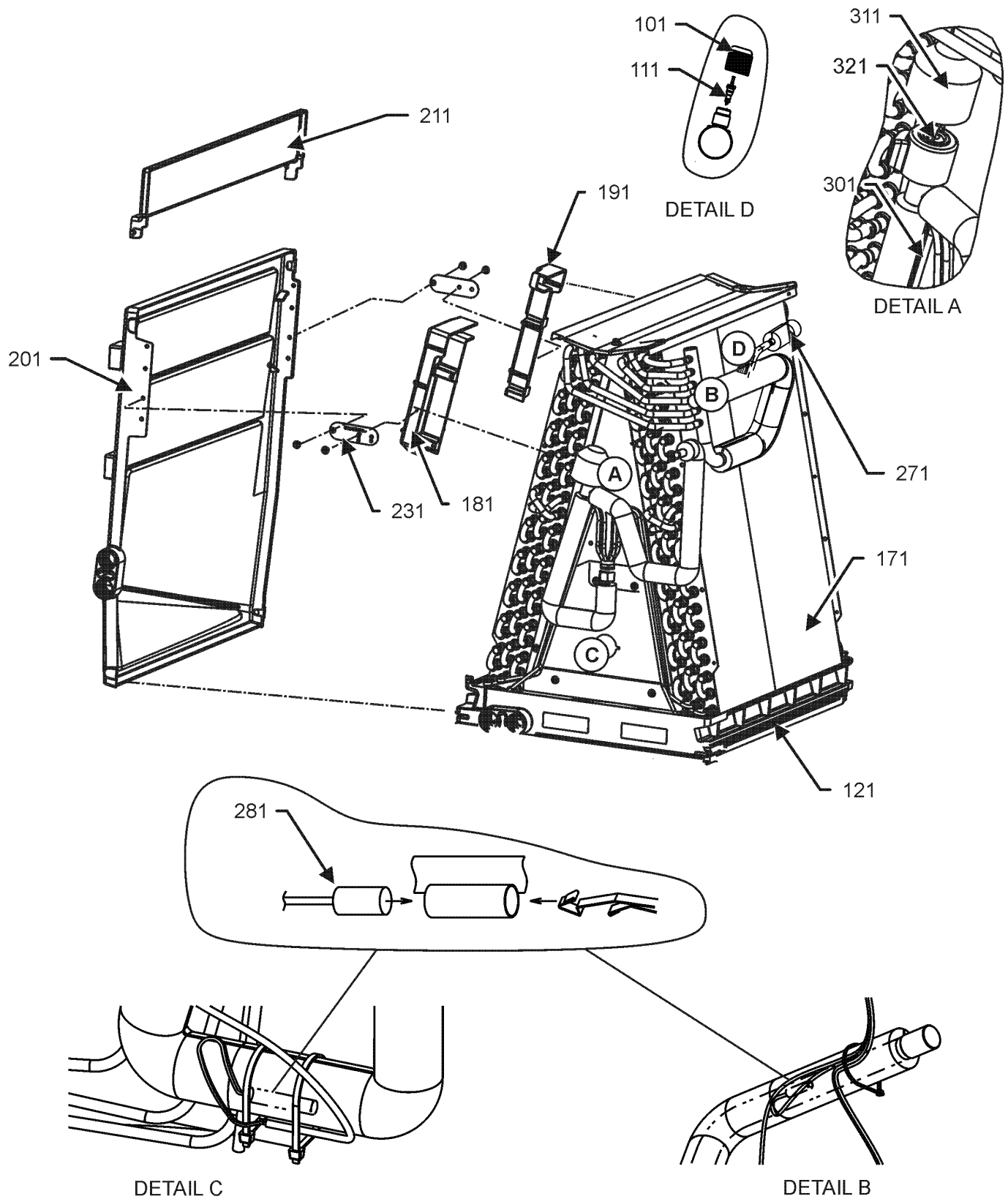
Image 1:

11	2P561240-1	PCB ASSY			
21	0130M00138	TRANSFORMER, 208/230, 24V (QTY 2)			
111	0121A00276PNG	Wrapper, LG, Painted (M4)			
111	0121A00455PNG	WRAPPER, PAINTED (M3)			
111	0121A00456PNG	WRAPPER, PAINTED (M2)			
111	0121A00458PNG	WRAPPER, PAINTED (M1)			
261	0121A01483PNG	PLATE, UPPER TIE (M1)			
261	0121A01484PNG	PLATE, UPPER TIE (M2)			
261	0121A01485PNG	PLATE, UPPER TIE (M3, M4)			
411	0121A01714PNG	UPPER ACCESS PANEL, PAINTED (M1)			
411	0121A01716PNG	UPPER ACCESS PANEL, PAINTED (M2)			
411	0121A01717PNG	UPPER ACCESS PANEL, PAINTED (M3, M4)			
431	0121A00658PNG	Panel, Refrigerant Tubing			
451	0154A00006BL	GASKET, DRAIN PAN			
461	0154A00007BL	GASKET, DRAIN PAN			
471	0121A00460PNG	LOWER ACCESS PANEL (M3)			
471	0121A00461PNG	LOWER ACCESS PANEL (M2)			
471	0121A00463PNG	LOWER ACCESS PANEL (M1)			
471	0121A00618PNG	LOWER ACCESS PANEL (M4)			
531	0121A00242PNG	Panel, Filter Access (M1)			
531	0121A00243PNG	Panel, Filter Access (M2)			
531	0121A00244PNG	Panel, Filter Access (M3, M4)			
541	0161A00073	CIRCUIT BREAKER COVER			
NS	SHARED DATA	Available thru CoolCloud HVAC app			
NS	0121A00913	BRACKET, TRANSFORMER			
NS	0164A00002	GROMMET			
NS	0163M00036	SCREW,#10X1/2,B,BZ,SLOT,SR,BLK (QTY 4)			
NS	0163A00026	THUMB SCREW (QTY 2)			
NS	BT1392909	WASHER; SS RETAINING (QTY 2)			
NS	0259A00021	WIRE ASSY, 9 PIN FEMALE CONN.			
NS	0259A00033P	WIRE ASSY, 9 PIN FEMALE CONN.			
NS	0259A00023	WIRE HARNESS ASSY			
NS	0259A00024	WIRE HARNESS ASSY			
NS	0259A00025	WIRE HARNESS ASSY			
NS	0259A00031P	WIRE HARNESS, CONNECTOR			

Expanded Model Nomenclature

M1 - DMVE24BP1400AA
M2 - DMVE36CP1400AA
M3 - DMVE48DP1400AA
M4 - DMVE60DP1400AA

COIL ASSEMBLY



NOTE: COIL TUBING ASSEMBLY MAY DIFFER FROM WHAT IS SHOWN

COIL ASSEMBLY

Ref. Part No:	No:	Description:	Ref. Part No:	No:	Description:
---------------	-----	--------------	---------------	-----	--------------

Image 1:

101	0163M00175	CAP WITH O-RING
111	0151M00104	VALVE CORE
121	0161A00049	DRAINPAN, VERTICAL (M1)
121	0161A00051	DRAINPAN, VERTICAL (M3, M4)
121	0161A00052	DRAINPAN, VERTICAL (M2)
171	0270A01026	COIL TUBING ASSY (M1)
171	0270A01027	COIL TUBING ASSY (M2)
171	0270A01028	COIL TUBING ASSY (M3)
171	0270A01029	COIL TUBING ASSY (M4)
181	0161A00060	CONDENSATE, COLLECT, FRONT
191	0161A00061	CONDENSATE, COLLECT, BACK
201	0161A00053	DRAIN PAN HORIZONTAL, TALL
211	0161A00054	DRAIN PAN, EXTENSION, SMALL (M1, M2, M3)
211	0161A00056	DRAIN PAN, EXTENSION, TALL (M4)
231	0121A00633	BRACKET, DRIP SHIELD (M1, M2)
231	0121A00634	BRACKET, DRIP SHIELD (M3, M4)
271	3S481012-1	PRESSURE SENSOR
281	4P389796-1	THERMISTOR ASSY
301	3P381420-2	EEV COIL
311	4P399446-1	WATERPROOF CAP
321	3S500031-1	MOTOR OPERATED VALVE BODY

Expanded Model Nomenclature

M1 - DMVE24BP1400AA
M2 - DMVE36CP1400AA
M3 - DMVE48DP1400AA
M4 - DMVE60DP1400AA

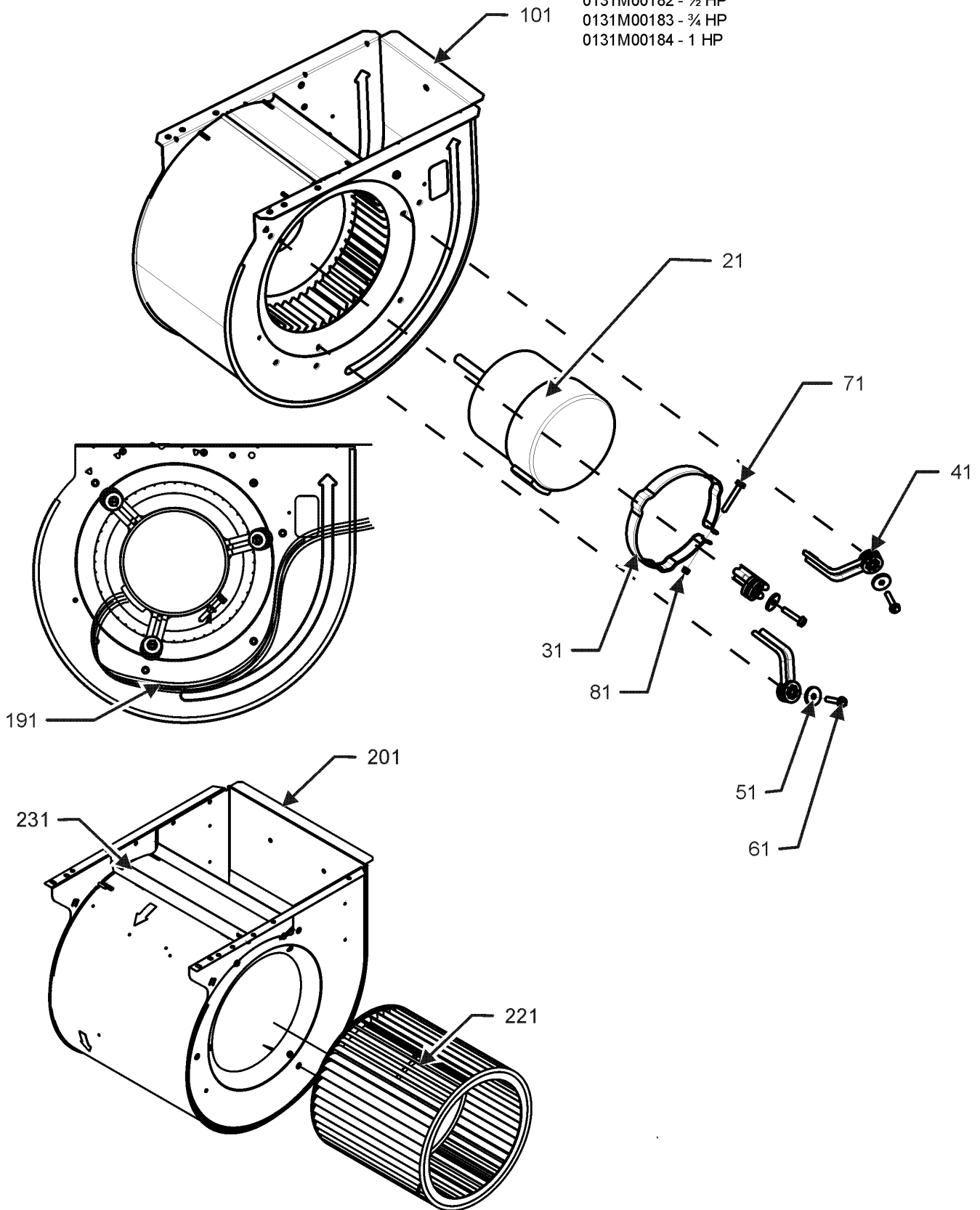
BLOWER ASSEMBLY

*If end bells are needed please order the following:

0131M00182 - ½ HP

0131M00183 - ¾ HP

0131M00184 - 1 HP



BLOWER ASSEMBLY

Ref. Part No:	Ref. Part No:	Description:	Description:
---------------	---------------	--------------	--------------

Image 1:

21	0131M01011	MOTOR, 1 HP (M3, M4)
21	0131M01002	MOTOR, 1/2 HP (M1)
21	0131M01003	MOTOR, 3/4 HP (M2)
31	0121M00038	MOUNT BAND, MOTOR (M1)
31	0121M00039	MOUNT BAND, MOTOR (HEAVY DUTY) (M2, M3, M4)
41	0171M00012	MOTOR MOUNT ARM (M1)
41	0163M00538	MOUNT ARM, MOTOR (M2, M3, M4)
51	B1392918	WASHER, FLAT 1/4 ID X 1 OD (QTY 3)
61	M0250565	TC SCREW 1.25" (QTY 3)
71	0163M00320	HEX HED ALL THREAD TAP BOLT
81	B1393800	LOCKNUT, NYLON, INSERT 1/4,20
101	0271A00203	BLOWER SHELL ASSEMBLY (M1)
101	0271A00206	BLOWER SHELL ASSY (M3, M4)
191	0259M00008	WIRE HARNESS
201	0271A00016	BLOWER SHELL ASSY (M2)
221	764741	BLOWER BLOCK-OFF 10 X 10 (M2)
231	0150M00059	WHEEL, BLOWER (M2)
NS	0163M00003P	SCREW,#10 X 1/2,A,SLOT,SR,BLK

Expanded Model Nomenclature

- | |
|---------------------|
| M1 - DMVE24BP1400AA |
| M2 - DMVE36CP1400AA |
| M3 - DMVE48DP1400AA |
| M4 - DMVE60DP1400AA |