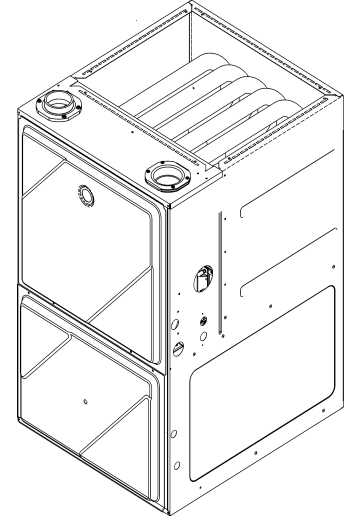


DM97MC 97% ECM Up Flow Furnace (34.5" Cabinet)

DM97MC0603BNAA
DM97MC0803BNAA
DM97MC0803BNAB
DM97MC0804CNAA
DM97MC0804CNAB
DM97MC1005CNAA
DM97MC1005CNAB
DM97MC1205DNAA
DM97MC1205DNAC



This manual is to be used by qualified technicians only.

This manual replaces RP-D2016A

Important Information

Index

Functional Parts List	3
Illustration and Parts	4 - 11

Views shown are for parts illustrations only, not servicing procedures.

Text Codes:

AR - As Required

NA - Not Available

NS - Not Shown

00000000 - See Note

QTY - Quantity Example (QTY 3) (If Quantity not shown, Quantity = 1)

M - Model Example (M1) (If M Code not shown, then part is used on all Models)

Expanded Model Nomenclature:

Example
M1 - Model#1
M2 - Model#2
M3 - Model#3

Daikin Comfort Technologies Manufacturing , L.P. is not responsible for personal injury or property damage resulting from improper service. Review all service information before beginning repairs.

Warranty service must be performed by an authorized technician, using authorized factory parts. If service is required after the warranty expires, Daikin Comfort Technologies Manufacturing , L.P. also recommends contacting an authorized technician and using authorized factory parts.

Daikin Comfort Technologies Manufacturing , L.P. reserves the right to discontinue, or change at any time, specifications or designs without notice or without incurring obligations.

For assistance within the U.S.A. contact:
Homeowner Support
Daikin Comfort Technologies Manufacturing , L.P.
19001 Kermier Road
Waller, Texas 77484
855-770-5678-Telephone
713-863-2382-Facsimile

For assistance outside the U.S.A. contact:
International Division
Daikin Comfort Technologies Manufacturing , L.P.
19001 Kermier Road
Waller, Texas 77484
713-861-2500-Telephone
713-863-2382-Facsimile

Functional Parts

Part

No: Description:

SHARED DATA	Available thru CoolCloud HVAC app.
0163F00017	BECKETT BURNER (QTY 3)
0130F00010	FLAME SENSOR
0151M00024	GAS VALVE
0257F00309	HEAT EXCHANGER ASSY. (M8, M9)
0257F00308	HEAT EXCHANGER ASSY. (M6, M7)
0257F00307	HEAT EXCHANGER ASSY. (M4, M5)
0257F00306	HEAT EXCHANGER ASSY. (M2, M3)
0257F00305	HEAT EXCHANGER ASSY. (M1)
0130F00008	IGNITOR-SINI 17 SEC
0130M00141	INDUCTOR, 5.9 AMPS (M4, M5, M6, M7, M8, M9)
10123529	MANUAL RESET LIMIT - ROS (QTY 2)
0271F00507	MORRISON 11 X 10 BLOWER (M4, M5, M6, M7)
0271F00508	MORRISON 11 X 11 BLOWER (M8, M9)
0271F00506	MORRISON 11 X 8 BLOWER (M1, M2, M3)
0131M01011	MOTOR, 1 HP (M7, M9)
0131M00272	MOTOR, 1 HP, SERIAL ECM (M6, M8)
0131M01002	MOTOR, 1/2 HP (M3)
0131M00270	MOTOR, 1/2 HP, SERIAL ECM (M1, M2)
0131M01003	MOTOR, 3/4 HP (M5)
0131M00271	MOTOR, 3/4 HP, SERIAL ECM (M4)
PCBKF202	PCB, FURNACE CONTROL
0130F00429	PRESSURE SWITCH
0130F00957	PRESSURE SWITCH (M6, M7, M8, M9)
0130F00956	PRESSURE, SWITCH (M1, M2, M3, M4, M5)
20162903	PRIMARY LIMIT - BLUE (M4, M5, M6, M7)
0130F00038	PRIMARY LIMIT - LT BLUE 120° (AUX) (QTY 2)
0130F00036	PRIMARY LIMIT - PINK (M8, M9)
20162906	PRIMARY LIMIT - WHITE (M2, M3)
20162904	PRIMARY LIMIT-TEMPERATURE CONTROL (M1)
0130M00243	SWITCH, INTERLOCK
0130M00140	TRANSFORMER,(120V TO 24V,40VA,

SPECIAL PARTS

0161F00090 NAMEPLATE, DAIKIN

Expanded Model Nomenclature

M1 - DM97MC0603BNAA
M2 - DM97MC0803BNAA
M3 - DM97MC0803BNAB
M4 - DM97MC0804CNAA
M5 - DM97MC0804CNAB
M6 - DM97MC1005CNAA
M7 - DM97MC1005CNAB
M8 - DM97MC1205DNAA
M9 - DM97MC1205DNAC

Cabinet

Ref. Part No:	Part No:	Description:	Ref. Part No:	Part No:	Description:
---------------	----------	--------------	---------------	----------	--------------

Image 1:

111	0154F00024	GASKET (QTY 2)
121	0154F00025	GASKET (QTY 2)
141	0161F00046	DRAIN TRAP
191	0121F00338NG	DOOR ACCESS 21" PNT (M4, M5, M6, M7)
191	0121F00337NG	DOOR, ACCESS 17.5" PNT (M1, M2, M3)
191	0121F00339NG	DOOR, ACCESS 24.5" PNT (M8, M9)
201	0121F00340NG	DOOR, BLOWER 17.5" PNT (M1, M2, M3)
201	0121F00341NG	DOOR, BLOWER 21" PNT (M4, M5, M6, M7)
201	0121F00342NG	DOOR, BLOWER 24.5" PNT (M8, M9)
281	B1392139	VIEW PORT BUSHING (QTY 2)
311	0154F00020	DECK GASKET (M1, M2, M3)
311	0154F00021	DECK GASKET (M4, M5, M6, M7)
311	0154F00022	DECK GASKET (M8, M9)
341	0164F00017	HOSE-ELBOW/TRAP
351	0164F00006	HOSE, COVER/TRAP (M8, M9)
351	0164F00024	HOSE, COVER/TRAP (M1, M2, M3, M4, M5, M6, M7)
381	0161F00047	BARDED HOSE COUPLING
451	M0501301	PIPE GROMMET
491	M0570808	BUTTON PLUG (QTY 3)
501	M0570806	BUTTON PLUG
511	M0570807	BUTTON PLUG
521	0161M00027	HOLE PLUG
601	B1392021	PLASTIC PLUG, 1" (2713-BLK) (QTY 4)
741	B1392104	UNIVERSAL BUSHING UB 875
NS	M0310345	BUTTON PLUG (QTY 2)
NS	0163M00460	CLAMP-HOSE (QTY 2)
NS	0154F00041	GASKET FRESH AIR (QTY 2)
NS	0161F00090	NAMEPLATE, DAIKIN
NS	M0273904	RETAINER-SCREW (QTY 3)
NS	M0209730	SCREW-DECORATIVE (QTY 3)

Image 2:

NS	0270F05402	DRAIN KIT ASSY
NS	0270F05402	DRAIN KIT ASSY

Expanded Model Nomenclature

M1 - DM97MC0603BNAA
M2 - DM97MC0803BNAA
M3 - DM97MC0803BNAB
M4 - DM97MC0804CNAA
M5 - DM97MC0804CNAB
M6 - DM97MC1005CNAA
M7 - DM97MC1005CNAB
M8 - DM97MC1205DNAA
M9 - DM97MC1205DNAC

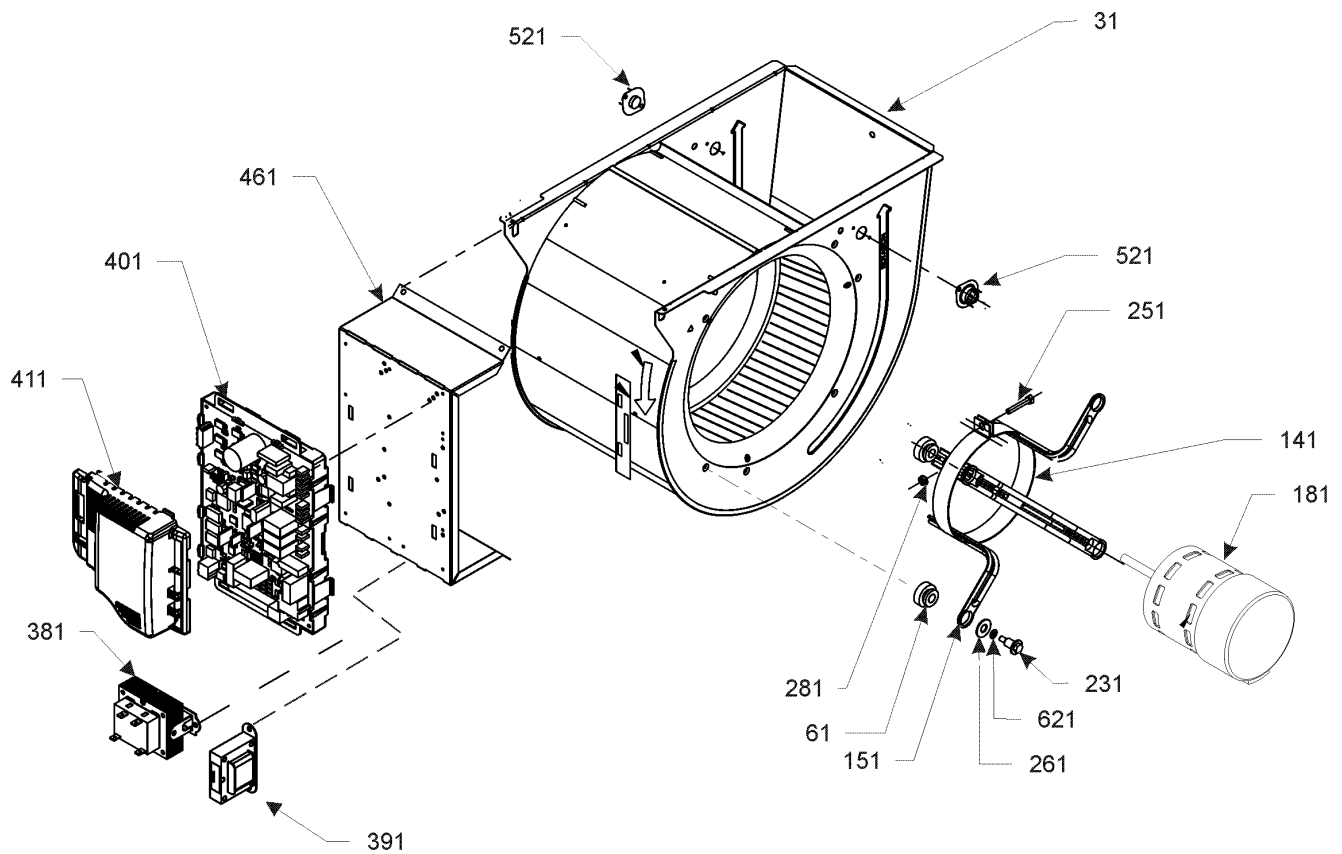
Blower Assembly

*If end bells are needed please order the following:

0131M00182 - 1/2 HP

0131M00183 - 3/4 HP

0131M00184 - 1 HP



Blower Assembly

Ref. Part No:	Part No:	Description:	Ref. Part No:	Part No:	Description:
---------------	----------	--------------	---------------	----------	--------------

Image 1:

31	0271F00507	MORRISON 11 X 10 BLOWER (M4, M5, M6, M7)
31	0271F00508	MORRISON 11 X 11 BLOWER (M8, M9)
31	0271F00506	MORRISON 11 X 8 BLOWER (M1, M2, M3)
61	A4002702	GROMMET (M4, M5, M6, M7, M8, M9)
141	0121M00038	MOTOR MOUNT BAND (M1, M2, M3)
141	10441601	MOTOR MOUNT BAND (M4, M5, M6, M7, M8, M9)
151	10441501	MOTOR MOUNT ARM (M4, M5, M6, M7, M8, M9)
151	B1376857	MOTOR MOUNT ARM (M1, M2, M3)
181	0131M01011	MOTOR, 1 HP (M7, M9)
181	0131M00272	MOTOR, 1 HP, SERIAL ECM (M6, M8)
181	0131M01002	MOTOR, 1/2 HP (M3)
181	0131M00270	MOTOR, 1/2 HP, SERIAL ECM (M1, M2)
181	0131M01003	MOTOR, 3/4 HP (M5)
181	0131M00271	MOTOR, 3/4 HP, SERIAL ECM (M4)
231	0163F00028	SCREW (M4, M5, M6, M7, M8, M9)
231	M0250565	TC SCREW 1.25" (M1, M2, M3)
251	B1393323	MACHINE SCREW (M1, M2, M3, M5)
251	M0267144	MACHINE SCREW (M4, M6, M7, M8, M9)
261	B1392918	FLAT WASHER (M1, M2, M3)
261	M0274008	FLAT WASHER (M4, M5, M6, M7, M8, M9)
281	M0282015	KEPS NUT (M4, M6, M7, M8, M9)
281	B1393800	NYLON LOCKNUT (M1, M2, M3, M5)
381	0130M00140	TRANSFORMER,(120V TO 24V,40VA,
391	0130M00141	INDUCTOR, 5.9 AMPS (M4, M5, M6, M7, M8, M9)
401	PCBKF202	PCB, FURNACE CONTROL
411	0161F00014	CONTROL BOARD COVER
461	0121F00464	CONTROL MOUNTING PLATE
521	0130F00038	PRIMARY LIMIT - LT BLUE 120° (AUX) (QTY 2)
621	B1392820	SLIT LOCK WASHER (M4, M5, M6, M7, M8, M9)
NS	B1392021	1" PLASTIC PLUG (QTY 4)
NS	SHARED DATA	Av ailable thru CoolCloud HVAC app.
NS	0259F00024	HARNESS - BLOWER
NS	0259F00040	HARNESS - CONTROL
NS	0259F00041	HARNESS - POWER

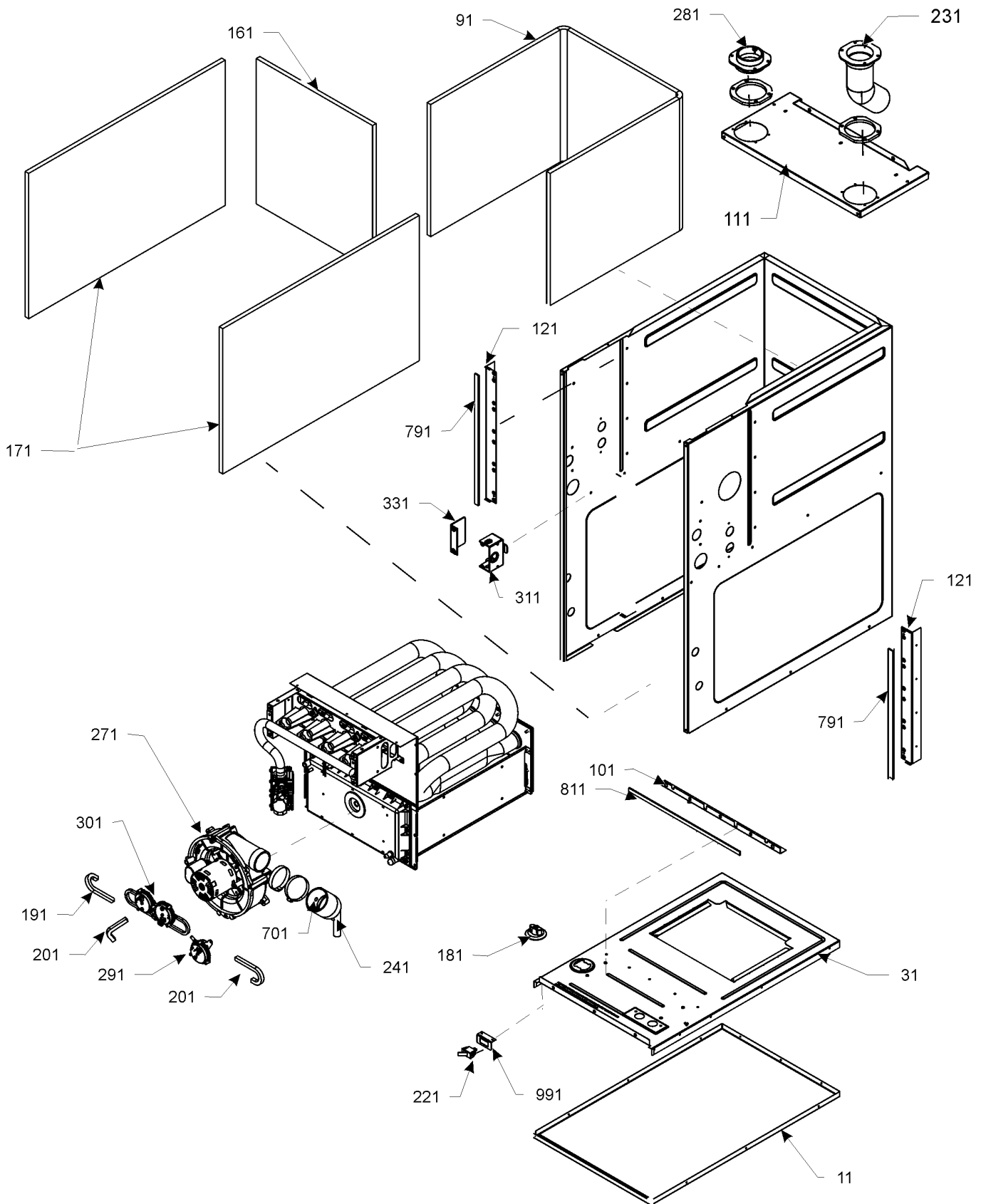
Expanded Model Nomenclature

- | |
|---------------------|
| M1 - DM97MC0603BNAA |
| M2 - DM97MC0803BNAA |
| M3 - DM97MC0803BNAB |
| M4 - DM97MC0804CNAA |
| M5 - DM97MC0804CNAB |
| M6 - DM97MC1005CNAA |
| M7 - DM97MC1005CNAB |
| M8 - DM97MC1205DNAA |
| M9 - DM97MC1205DNAC |

*If end bells are needed please order the follow ing:

- 0131M00182 - 1/2 HP
- 0131M00183 - 3/4 HP
- 0131M00184 - 1 HP

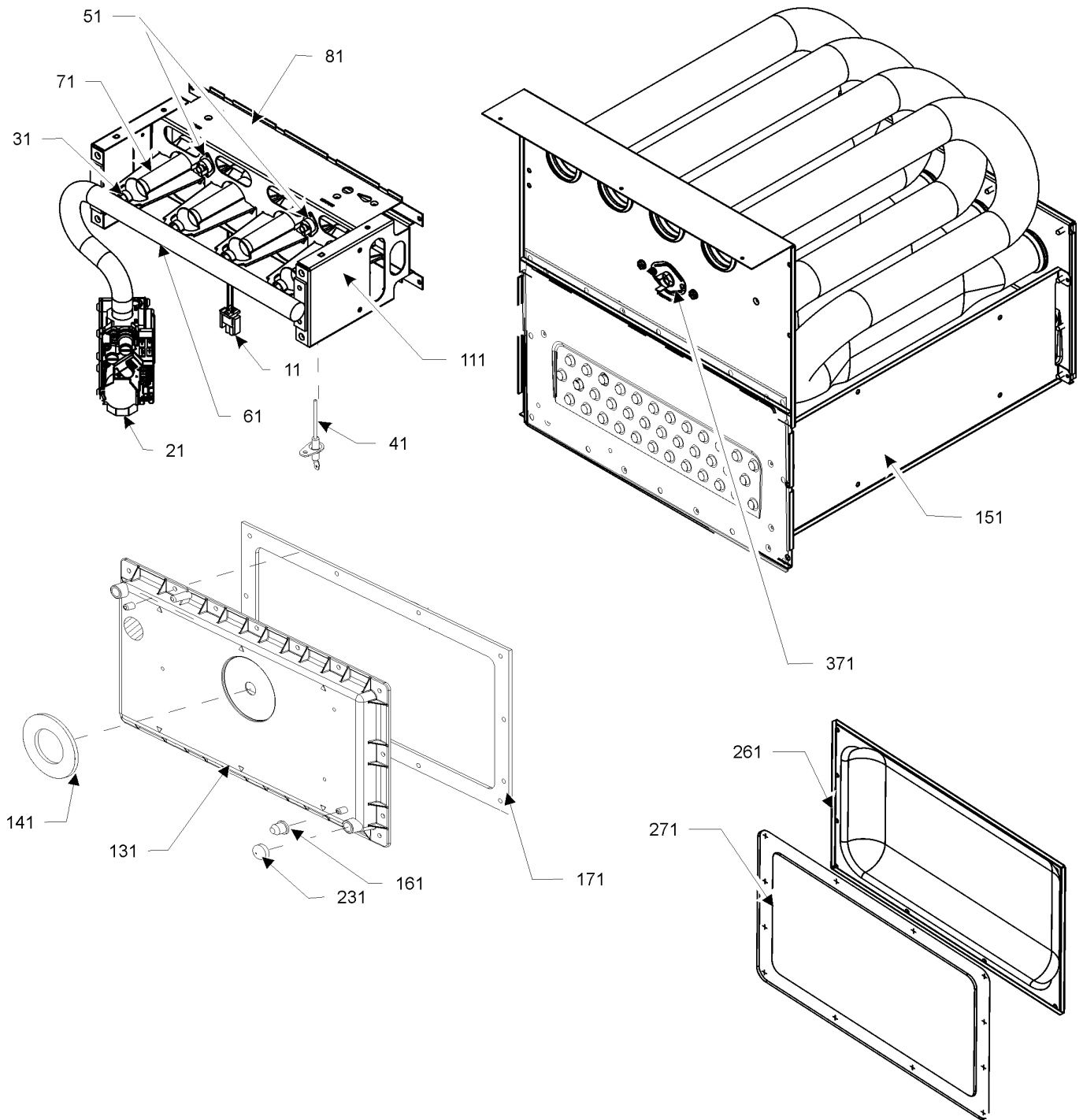
Chassis



Chassis

Ref. Part No:	Description:	Ref. Part No:	Description:
Image 1:		Expanded Model Nomenclature	
11	0121F00530DG BASEPAN, 17.5 (M1, M2, M3)	M1	- DM97MC0603BNAA
11	0121F00531DG BASEPAN, 21 PNT (M4, M5, M6, M7)	M2	- DM97MC0803BNAA
11	0121F00532DG BASEPAN, 24.5 PNT (M8, M9)	M3	- DM97MC0803BNAB
31	0121F00766 DECK- BLOWER 17.5" (M1, M2, M3)	M4	- DM97MC0804CNAA
31	0121F00767 DECK- BLOWER 21" (M4, M5, M6, M7)	M5	- DM97MC0804CNAB
31	0121F00768 DECK- BLOWER 24.5" (M8, M9)	M6	- DM97MC1005CNAA
91	0160F00015 INSULATION, HT EXCHANGER 17.5" (M1, M2, M3)	M7	- DM97MC1005CNAB
91	0160F00016 INSULATION, HT EXCHANGER 21" (M4, M5, M6, M7)	M8	- DM97MC1205DNAA
91	0160F00017 INSULATION, HT EXCHANGER 24.5" (M8, M9)	M9	- DM97MC1205DNAC
101	0121F00314 ANGLE, DECK (M1, M2, M3)		
101	0121F00315 ANGLE, DECK (M4, M5, M6, M7)		
101	0121F00316 ANGLE, DECK (M8, M9)		
111	0121F00279DG PAINTED TOP, FURNACE 17.5 (M1, M2, M3)		
111	0121F00280DG PAINTED TOP, FURNACE 21 (M4, M5, M6, M7)		
111	0121F00281DG PAINTED TOP, FURNACE 24.5 (M8, M9)		
121	0121F00313 SIDE ANGLE (QTY 2)		
161	0160F00012 INSULATION-BACK 17.5" (M1, M2, M3)		
161	0160F00013 INSULATION-BACK 21" (M4, M5, M6, M7)		
161	0160F00014 INSULATION-BACK 24.5" (M8, M9)		
171	0160F00018 INSULATION, SIDE (QTY 2)		
181	0159F00072 HARNESS, WIRING (M1, M2, M3)		
181	0159F00073 HARNESS, WIRING (M4, M5, M6, M7, M8, M9)		
191	0164M00118 HOSE- PRESSURE SW 10" (M4, M5, M6, M7)		
191	0164M00120 HOSE- PRESSURE SW 14" (M8, M9)		
191	0164M00116 HOSE- PRESSURE SW 7" (M1, M2, M3)		
201	0164M00115 HOSE- PRESSURE SW 6"		
221	0130M00243 SWITCH, INTERLOCK		
231	0164F00002 FLUE PIPE W/BEND		
241	0164F00025 ELBOW-FLUE,UPFLOW		
271	0171M00003 MOTOR-ID, BLOWER		
281	0161F00037 COUPLING		
291	0130F00429 PRESSURE SWITCH		
301	0130F00957 PRESSURE SWITCH (M6, M7, M8, M9)		
301	0130F00956 PRESSURE, SWITCH (M1, M2, M3, M4, M5)		
311	0161F00042 JUNCTION BOX		
331	0161F00043 JUNCTION BOX LID		
701	M0326804 TUBE PLUG		
791	0154F00015 GASKET (QTY 2)		
811	0154F00014 GASKET (M1, M2, M3)		
811	0154F00016 GASKET (M4, M5, M6, M7)		
811	20194607 GASKET (M8, M9)		
991	0121F00389 BRACKET, DOOR SWITCH		
NS	0154F00020 GASKET, DECK (M1, M2, M3)		
NS	0154F00021 GASKET, DECK (M4, M5, M6, M7)		
NS	0154F00022 GASKET, DECK (M8, M9)		

Heat Exchanger / Manifold / Gas Valve



Heat Exchanger / Manifold / Gas Valve

Ref. Part No:	Ref. Part No:	Description:	Description:
Image 1:		Expanded Model Nomenclature	
11	0130F00008	IGNITOR-SINI 17 SEC	M1 - DM97MC0603BNAA
21	0151M00024	GAS VALVE	M2 - DM97MC0803BNAA
31	10716005	ORIFICE (QTY 3)	M3 - DM97MC0803BNAB
41	0130F00010	FLAME SENSOR	M4 - DM97MC0804CNA A
51	10123529	MANUAL RESET LIMIT - ROS (QTY 2)	M5 - DM97MC0804CNAB
61	0163F00008	MANIFOLD (M1)	M6 - DM97MC1005CNA A
61	0163F00009	MANIFOLD (M4, M5)	M7 - DM97MC1005CNAB
61	0163F00010	MANIFOLD (M6, M7)	M8 - DM97MC1205DNA A
61	0163F00011	MANIFOLD (M8, M9)	M9 - DM97MC1205DNA C
61	0163F00014	MANIFOLD (M2, M3)	
71	0163F00017	BECKETT BURNER (QTY 3)	
81	0121F00455	BRACKET-BURNER 3 (M1)	
81	0121F00454	BRACKET-BURNER 4 (M2, M3, M4, M5)	
81	0121F00453	BRACKET-BURNER 5 (M6, M7)	
81	0121F00451	BRACKET-BURNER 6 (M8, M9)	
111	0121F00458	ORIFICE BRACKET-BURNER 3 (M1)	
111	0121F00457	ORIFICE BRACKET-BURNER 4 (M2, M3, M4, M5)	
111	0121F00452	ORIFICE BRACKET-BURNERS 5 (M6, M7)	
111	0121F00447	ORIFICE BRACKET-BURNERS 6 (M8, M9)	
131	0161F00018	FRONT COVER (M6, M7)	
131	0161F00031	FRONT COVER (M2, M3)	
131	0161F00056	FRONT COVER (M1)	
131	0161F00065	FRONT COVER (M4, M5)	
131	0161F00066	FRONT COVER (M8, M9)	
141	0154F00026	GASKET FRONT COVER (M1, M2, M3)	
141	0154F00030	GASKET FRONT COVER (M4, M5, M6, M7)	
141	0154F00034	GASKET FRONT COVER (M8, M9)	
151	0257F00305	HEAT EXCHANGER ASSY. (M1)	
151	0257F00306	HEAT EXCHANGER ASSY. (M2, M3)	
151	0257F00307	HEAT EXCHANGER ASSY. (M4, M5)	
151	0257F00308	HEAT EXCHANGER ASSY. (M6, M7)	
151	0257F00309	HEAT EXCHANGER ASSY. (M8, M9)	
161	M0326804	TUBE PLUG	
171	0154F00043	GASKET ID BLOWER	
231	A1781105	CAP-VINYL .500	
261	0121F00317	REAR COVER (M1, M2, M3)	
261	0121F00318	REAR COVER (M4, M5, M6, M7)	
261	0121F00319	REAR COVER (M8, M9)	
271	0154F00037	GASKET, REAR CVR (M1, M2, M3)	
271	0154F00038	GASKET, REAR CVR (M4, M5, M6, M7)	
271	0154F00039	GASKET, REAR CVR (M8, M9)	
371	20162903	PRIMARY LIMIT - BLUE (M4, M5, M6, M7)	
371	0130F00036	PRIMARY LIMIT - PINK (M8, M9)	
371	20162906	PRIMARY LIMIT - WHITE (M2, M3)	
371	20162904	PRIMARY LIMIT-TEMPERATURE CONTROL (M1)	