

DM96VE 96% Two-Stage Multi-Speed ECM Furnace

DM96VE0303ANAB
DM96VE0403ANAB
DM96VE0603ANAB
DM96VE0603BNBA
DM96VE0603BNBB
DM96VE0803BNAD
DM96VE0804CNAD
DM96VE1004CNAD
DM96VE1005CNAD
DM96VE1205DNAD



This manual is to be used by qualified technicians only.

This manual replaces RP-D2315

Important Information

Index

Functional Parts List	3
Illustration and Parts	4 - 11

Views shown are for parts illustrations only, not servicing procedures

Text Codes:

AR - As Required

NA - Not Available

NS - Not Shown

00000000 - See Note

QTY - Quantity Example (QTY 3) (If Quantity not shown, Quantity = 1)

M - Model Example (M1) (If M Code not shown, then part is used on all Models)

Expanded Model Nomenclature:

Example M1 - Model#1 M2 - Model#2 M3 - Model#3

Daikin Manufacturing Company, L.P. is not responsible for personal injury or property damage resulting from improper service. Review all service information before beginning repairs.

Warranty service must be performed by an authorized technician, using authorized factory parts. If service is required after the warranty expires, Daikin Manufacturing Company, L.P. also recommends contacting an authorized technician and using authorized factory parts.

Daikin Manufacturing Company, L.P. reserves the right to discontinue, or change at any time, specifications or designs without notice or without incurring obligations.

For assistance within the U.S.A. contact:

Homeowner Support
Daikin North America, LLC
19001 Kermier Road
Waller, Texas 77484
855-770-5678-Telephone
713-863-2382-Facsimile

For assistance outside the U.S.A. contact:

International Division
Daikin North America, LLC
19001 Kermier Road
Waller, Texas 77484
713-861-2500-Telephone
713-863-2382-Facsimile

Functional Parts

Part

No: Description:

Part No:	Description:	Part No:	Description:
0257F00443	ASSY, HEAT EXCHANGER (M1)	0130F00434	SWITCH, PRESSURE (M8)
0257F00450	ASSY. HEAT EXCHANGER (M2)	0130F00435	SWITCH, PRESSURE (M4, M5)
0130F00038	AUX LIMIT - LT BLUE 120° (QTY 2)	0130F00443	SWITCH, PRESSURE (M7, M9)
0163F00017	BECKETT BURNER (QTY 2)	0130F00436	SWITCH, PRESSURE (M6)
0271F00322	BLOWER SHELL & WHEEL ASSY (M1, M2, M3)	0130M00140	TRANSFORMER 120V TO 24V, 40VA
0271F00163	BLOWER SHELL & WHEEL ASSY (M10)		
0271F00161	BLOWER SHELL & WHEEL ASSY (M7, M8, M9)		
0271F00159	BLOWER SHELL & WHEEL ASSY (M4, M5, M6)		
0130F00010	FLAME SENSOR		
0151M00027	GAS VALVE		
0257F00397	HEAT EXCHANGER ASSY (M9)		
0257F00375	HEAT EXCHANGER ASSY (M4, M5)		
0257F00415	HEAT EXCHANGER ASSY (M3)		
0257F00394	HEAT EXCHANGER ASSY (M8)		
0257F00292	HEAT EXCHANGER ASSY. (M10)		
0257F00290	HEAT EXCHANGER ASSY. (M7)		
0257F00354	HEAT EXCHANGER ASSY. (M6)		
0171M00007	ID BLOWER, 2 Stg (M1, M2, M3)		
0130F00008	IGNITOR-SINI 17 SEC		
0130M00243	INTERLOCK SWITCH		
20162906	LIMIT, PRIMARY (M4, M5, M8)		
20162904*	LIMIT, PRIMARY (M6, M7)		
	*Refer to service bulletin SF-054		
20162903	LIMIT, PRIMARY (M1, M2, M3, M9)		
0130F00036	LIMIT, PRIMARY, 180, PINK (M10)		
10123538	MANUAL RESET R.O.S. LIMIT (M1, M2)		
0130F00123	MANUAL RESET R.O.S. LIMIT (M6)		
10123517	MANUAL RESET R.O.S. LIMIT (M3)		
10123527	MANUAL RESET R.O.S. LIMIT (M10)		
10123534	MANUAL RESET R.O.S. LIMIT (M8, M9)		
10123539	MANUAL RESET R.O.S. LIMIT (M4, M5, M7)		
0131F00182	MOTOR PROGRAMMED (M9)		
0131F00185	MOTOR PROGRAMMED (M6)		
0131F00175	MOTOR PROGRAMMED (M1)		
0131F00179	MOTOR PROGRAMMED (M7)		
0131F00177	MOTOR PROGRAMMED (M2)		
0131F00178	MOTOR PROGRAMMED (M5)		
0131F00181	MOTOR PROGRAMMED (M10)		
0131F00176	MOTOR PROGRAMMED (M3)		
0131F00180	MOTOR PROGRAMMED (M8)		
0131F00059	MOTOR, BLOWER (M4)		
0171M00002	MOTOR-ID, BLOWER (M4, M5, M6, M7, M8, M9, M10)		
PCBBF139	PCB, IGNITION CONTROL		
0130F00645	PRESSURE SWITCH (M3)		
0130F00429	PRESSURE SWITCH (M4, M5, M6, M7, M8, M9, M10)		
0130F00646	PRESSURE SWITCH (M3)		
0130F00647	PRESSURE SWITCH (M1, M2)		
0130F00644	PRESSURE SWITCH (M2)		
0130F00643	PRESSURE SWITCH (M1)		
0130F00445	SWITCH, PRESSURE (M10)		

SPECIAL PARTS

0161F00090 NAMEPLATE, DAIKIN

Expanded Model Nomenclature

M1 - DM96VE0303ANAB
M2 - DM96VE0403ANAB
M3 - DM96VE0603ANAB
M4 - DM96VE0603BNBA
M5 - DM96VE0603BNBB
M6 - DM96VE0803BNAD
M7 - DM96VE0804CNAD
M8 - DM96VE1004CNAD
M9 - DM96VE1005CNAD
M10 - DM96VE1205DNAD

Cabinet Assembly

IMAGE 1

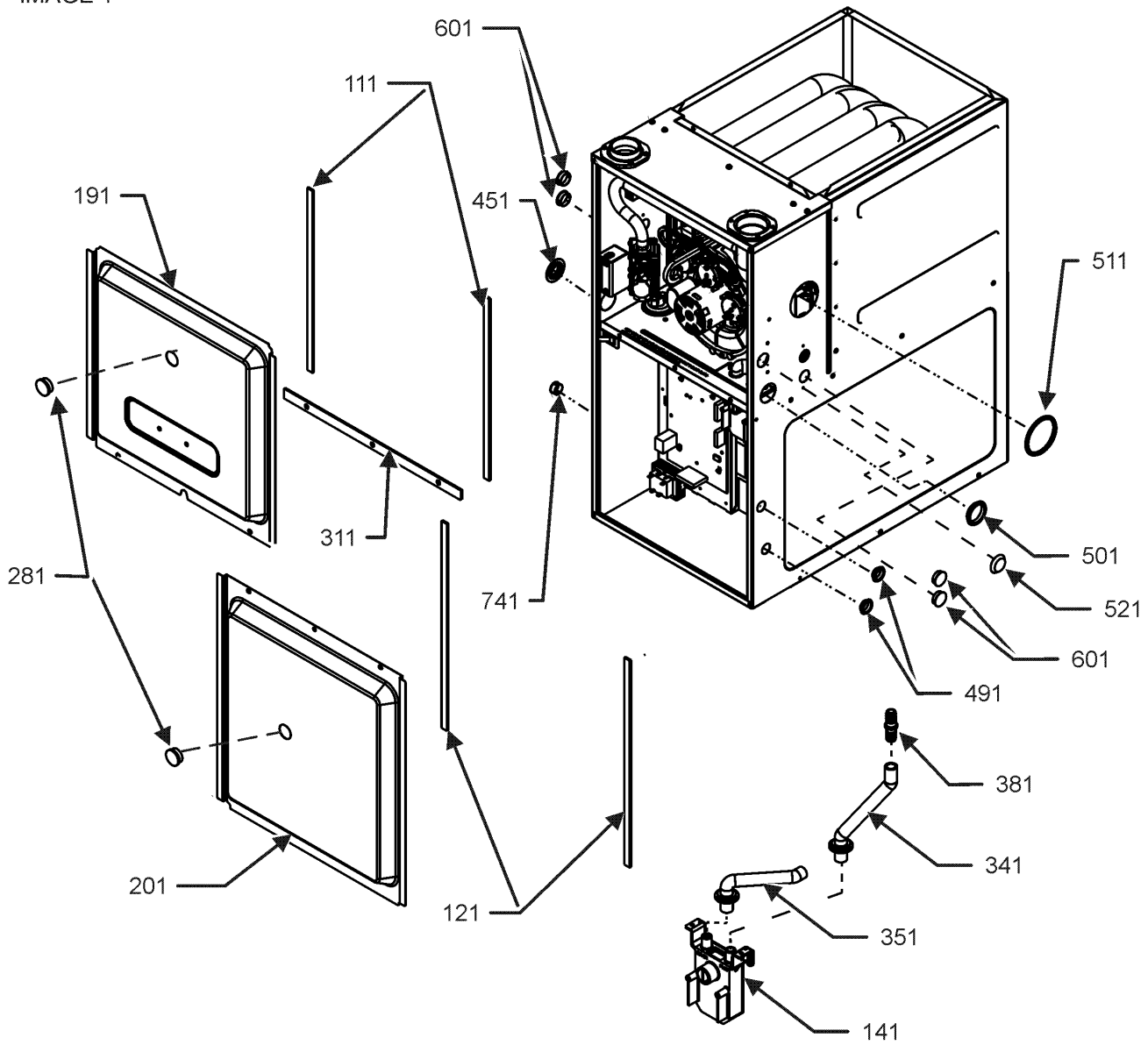
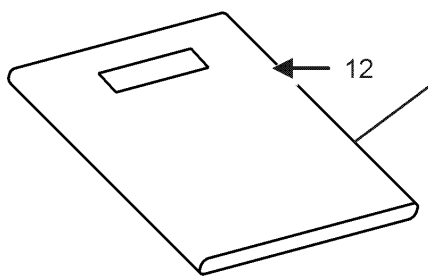
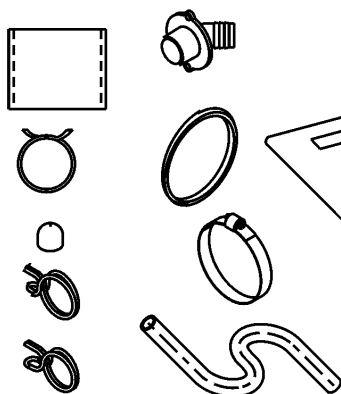


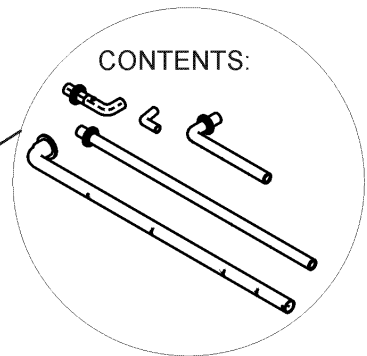
IMAGE 2



CONTENTS:



CONTENTS:



Cabinet Assembly

Ref. Part No:	Part No:	Description:	Ref. Part No:	Part No:	Description:
---------------	----------	--------------	---------------	----------	--------------

Image 1:

111	0154F00024	GASKET (QTY 2)
121	0154F00025	GASKET (QTY 2)
141	0161F00046	DRAIN TRAP
191	0121F00337NG	DOOR, ACCESS 17.5" PNT (M4, M5, M6)
191	0121F00338NG	DOOR, ACCESS 21" PNT (M7, M8, M9)
191	0121F00339NG	DOOR, ACCESS 24.5" PNT (M10)
191	0121F00673NG	PNT, DOOR, ACCESS 14" (M1, M2, M3)
201	0121F00340NG	DOOR, BLOWER 17.5" PNT (M4, M5, M6)
201	0121F00341NG	DOOR, BLOWER 21" PNT (M7, M8, M9)
201	0121F00342NG	DOOR, BLOWER 24.5" PNT (M10)
201	0121F00671NG	PNT, DOOR, BLOWER 14" (M1, M2, M3)
281	B1392139	VIEW PORT BUSHING-BLOWER DOOR (QTY 2)
311	0154F00020	GASKET, DECK (M4, M5, M6)
311	0154F00021	GASKET, DECK (M7, M8, M9)
311	0154F00022	GASKET, DECK (M10)
311	0154F00063	GASKET, DECK (M1, M2, M3)
341	0164F00017	HOSE-ELBOW/TRAP
351	0164F00006	HOSE, COVER/TRAP (M10)
351	0164F00024	HOSE, COVER/TRAP (M4, M5, M6, M7, M8, M9)
381	0161F00047	COUPLING, HOSE BARBED
451	M0501301	PIPE GROMMET
491	M0570808	BUTTON PLUG (QTY 3)
501	M0570806	BUTTON PLUG
511	M0570807	BUTTON PLUG
521	0161M00027	PLUG, HOLE
601	B1392021	PLASTIC PLUG, 1" (2713-BLK) (QTY 4)
741	B1392104	UNIVERSAL BUSHING UB 875
NS	M0310345	BUTTON PLUG (QTY 2)
NS	0163M00319	HEX NUT-INSERT (QTY 3)
NS	0161F00090	NAMEPLATE, DAIKIN
NS	M0273904	RETAINER SCREW (QTY 3)
NS	M0209730	SCREW-DECORATIVE (QTY 3)

Image 2:

12	0270F05248	DRAIN KIT ASSY
22	0270F05248	DRAIN KIT ASSY

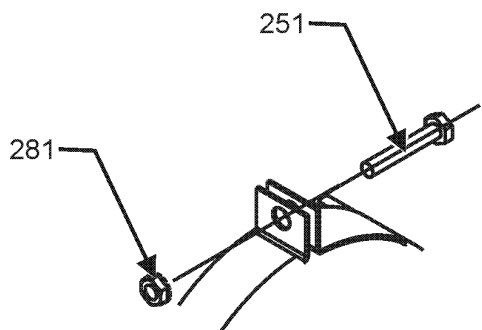
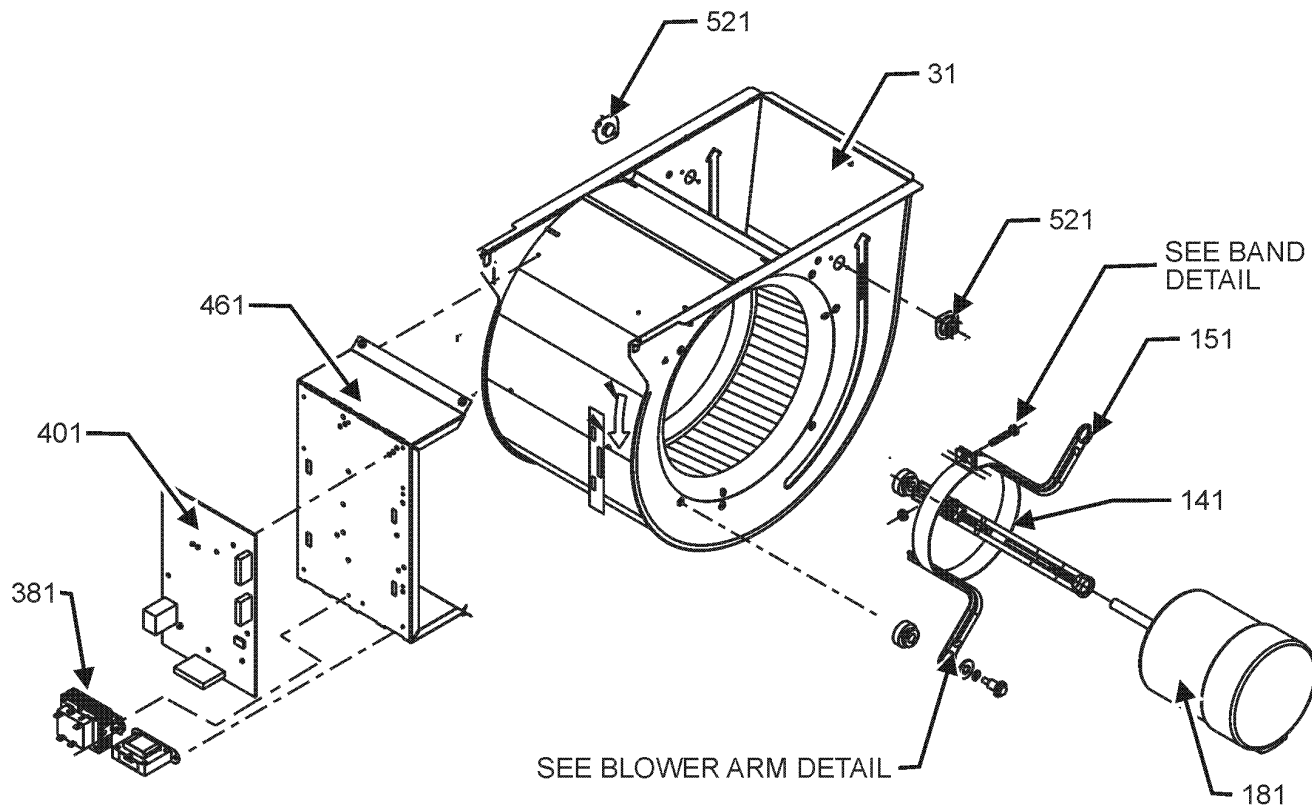
Expanded Model Nomenclature

- | |
|----------------------|
| M1 - DM96VE0303ANAB |
| M2 - DM96VE0403ANAB |
| M3 - DM96VE0603ANAB |
| M4 - DM96VE0603BNBA |
| M5 - DM96VE0603BNBB |
| M6 - DM96VE0803BNAD |
| M7 - DM96VE0804CNAD |
| M8 - DM96VE1004CNAD |
| M9 - DM96VE1005CNAD |
| M10 - DM96VE1205DNAD |

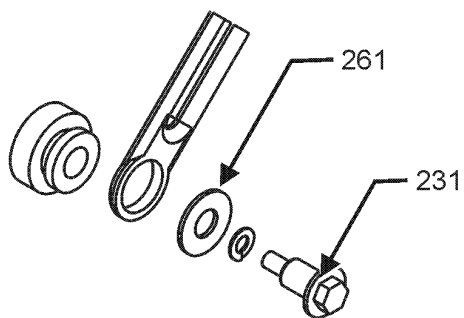
Blower Assembly

BLOWER ASSEMBLY

*If end bells are needed please order the following:
0131M00182 - 1/2 HP
0131M00183 - 3/4 HP
0131M00184 - 1 HP



BAND DETAIL



BLOWER ARM DETAIL

BLOWER ASSEMBLY MAY DIFFER FROM WHAT IS SHOWN

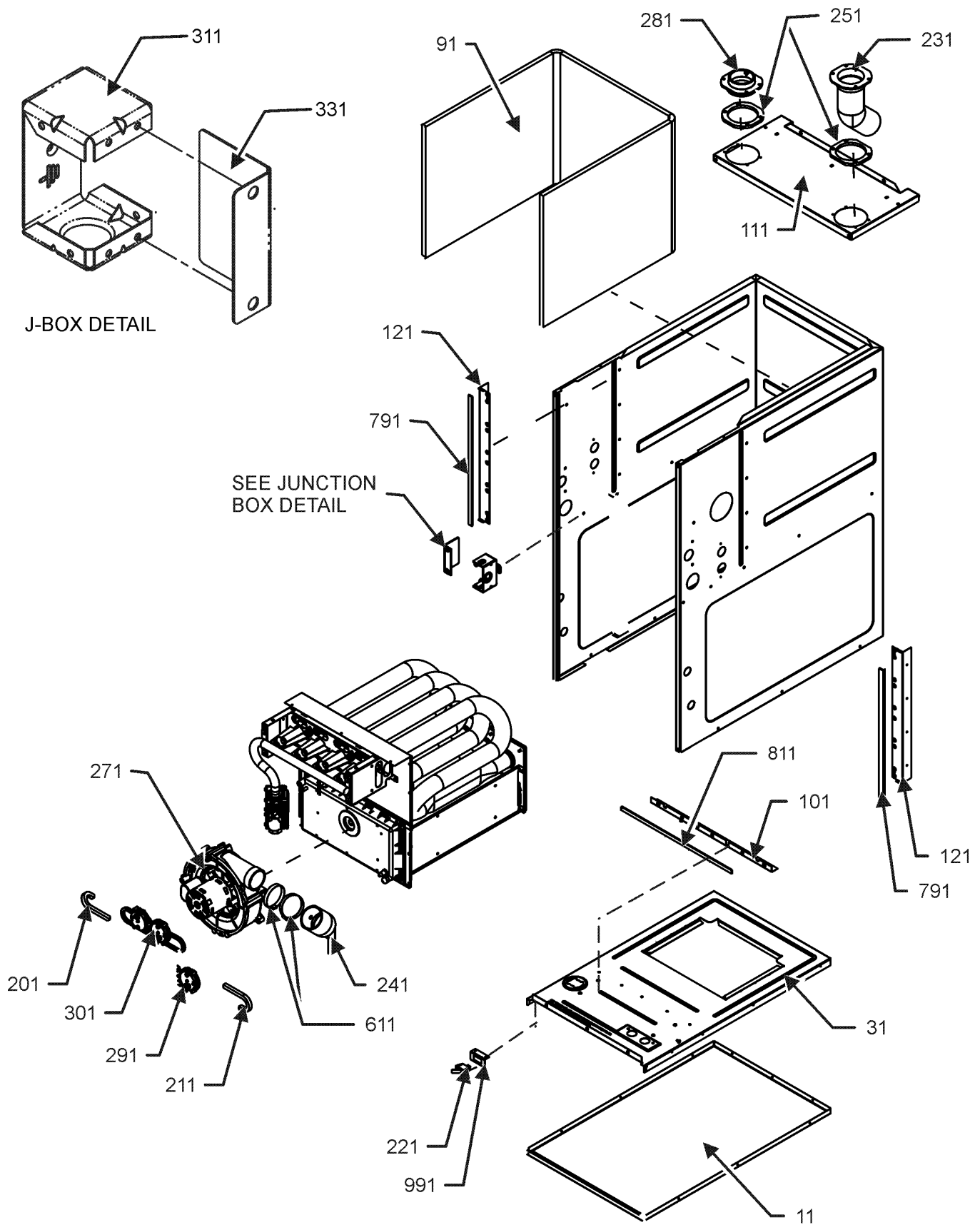
Blower Assembly

Ref. Part No:	Ref. Part No:	Description:	Description:
Image 1:			
31	0271F00159	BLOWER SHELL & WHEEL ASSY (M4, M5, M6)	
31	0271F00161	BLOWER SHELL & WHEEL ASSY (M7, M8, M9)	
31	0271F00163	BLOWER SHELL & WHEEL ASSY (M10)	
31	0271F00322	BLOWER SHELL & WHEEL ASSY (M1, M2, M3)	
141	0121M00038	MOUNT BAND, MOTOR (M4)	
141	0121M00039	MOUNT BAND, MOTOR (HEAVY DUTY) (M1, M2, M3, M5, M6, M7, M8, M9, M10)	
151	B1376857	MOTOR MOUNT ARM (M4)	
151	B1376863	MOUNT ARM, MOTOR (HEAVY DUTY) (M1, M2, M3, M5, M6, M7, M8, M9, M10)	
181	0131F00175	MOTOR PROGRAMMED (M1)	
181	0131F00176	MOTOR PROGRAMMED (M3)	
181	0131F00177	MOTOR PROGRAMMED (M2)	
181	0131F00178	MOTOR PROGRAMMED (M5)	
181	0131F00179	MOTOR PROGRAMMED (M7)	
181	0131F00180	MOTOR PROGRAMMED (M8)	
181	0131F00181	MOTOR PROGRAMMED (M10)	
181	0131F00182	MOTOR PROGRAMMED (M9)	
181	0131F00185	MOTOR PROGRAMMED (M6)	
181	0131F00059	MOTOR, BLOWER (M4)	
231	M0250565	TC SCREW 1.25" (QTY 3)	
251	0163M00320	HEX HEAD ALL THREAD TAP BOLT (M1, M2, M3, M5, M6, M7, M8, M9, M10)	
251	B1393323	MACHINE SCREW HWH 1/4-20 X 1-1/2 BZ (M4)	
261	B1392918	WASHER, FLAT 1/4 ID X 1 OD (QTY 3)	
281	B1393800	LOCKNUT, NYLON, INSERT 1/4, 20	
381	0130M00140	TRANSFORMER 120V TO 24V, 40VA	
401	PCBBF139	PCB, IGNITION CONTROL	
461	0121F00464	MOUNTING PLATE-CONTROLS	
521	0130F00038	AUX LIMIT - LT BLUE 120° (QTY 2)	
NS	B1392021	PLASTIC PLUG, 1" (2713-BLK) (QTY 4)	
NS	0259F00024	WIRE HARNESS-BLOWER	

Expanded Model Nomenclature

M1 - DM96VE0303ANAB
M2 - DM96VE0403ANAB
M3 - DM96VE0603ANAB
M4 - DM96VE0603BNBA
M5 - DM96VE0603BNBB
M6 - DM96VE0803BNAD
M7 - DM96VE0804CNAD
M8 - DM96VE1004CNAD
M9 - DM96VE1005CNAD
M10 - DM96VE1205DNAD

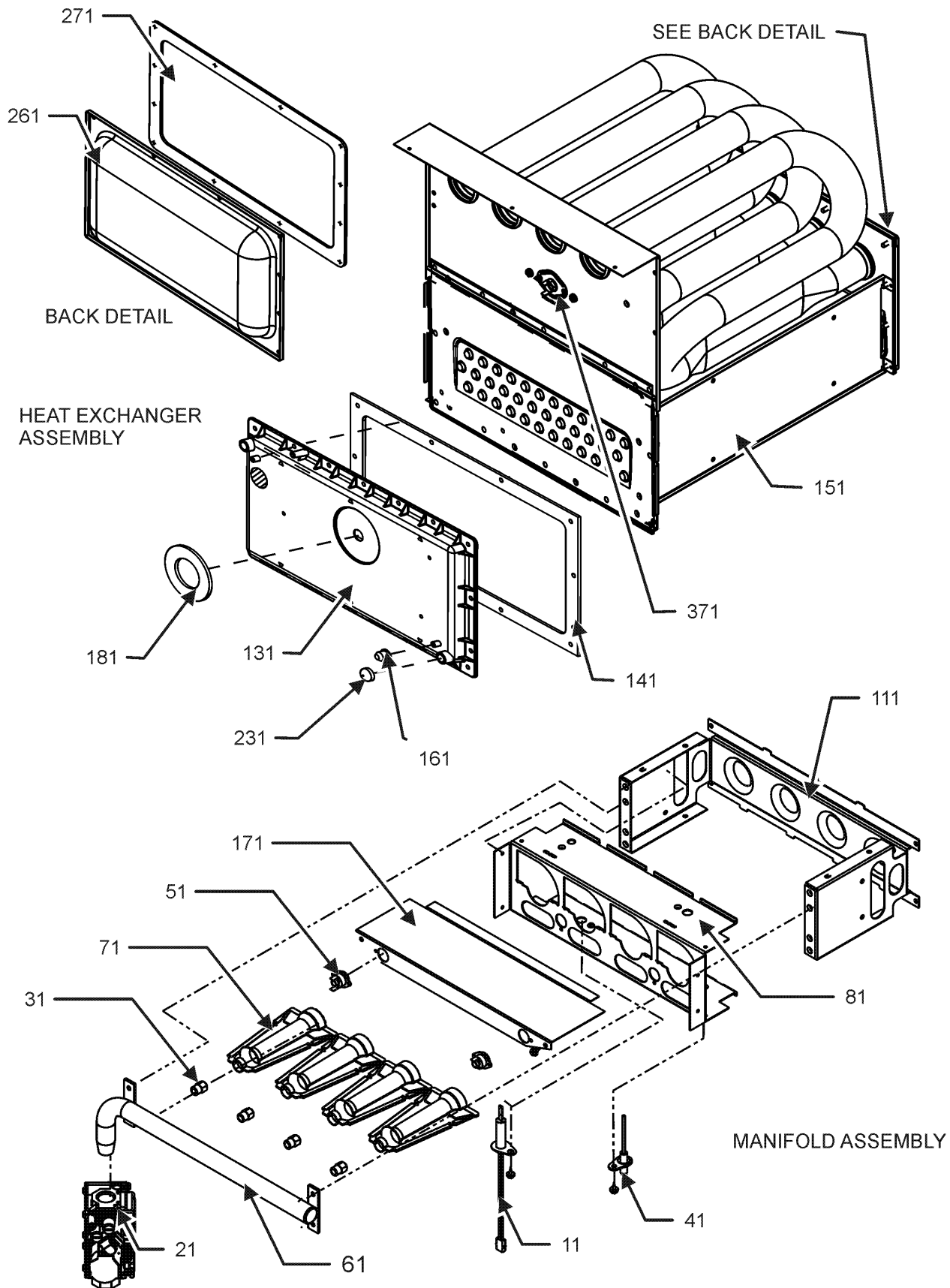
Chassis Assembly



Chassis Assembly

Ref. Part No:	Ref. Part No:	Description:	Description:
Image 1:		Image 1:	
11	0121F00530DG	BASEPAN, 17.5 (M4, M5, M6)	NS 0159F00076 WIRING HARNESS
11	0121F00531DG	BASEPAN, 21 PNT (M7, M8, M9)	Expanded Model Nomenclature
11	0121F00532DG	BASEPAN, 24.5 PNT (M10)	
11	0121F00664DG	BASEPAN, 14 PNT (M1, M2, M3)	
31	0121F00663	DECK, BLOWER 14" (M1, M2, M3)	
31	0121F00533	DECK-BLOWER 17.5" (M4, M5, M6)	
31	0121F00534	DECK-BLOWER 21" (M7, M8, M9)	
31	0121F00535	DECK-BLOWER 24.5" (M10)	
91	0160F00025	INSULATION, HT EXCHANGER (M1, M2, M3)	
91	0160F00015	INSULATION, HT EXCHANGER 17.5" (M4, M5, M6)	
91	0160F00016	INSULATION, HT EXCHANGER 21" (M7, M8, M9)	
91	0160F00017	INSULATION, HT EXCHANGER 24.5" (M10)	
101	0121F00314	ANGLE, DECK (M4, M5, M6)	M1 - DM96VE0303ANAB
101	0121F00315	ANGLE, DECK (M7, M8, M9)	M2 - DM96VE0403ANAB
101	0121F00316	ANGLE, DECK (M10)	M3 - DM96VE0603ANAB
101	0121F00661	ANGLE, DECK (M1, M2, M3)	M4 - DM96VE0603BNBA
111	0121F00279DG	PAINTED TOP, FURNACE 17.5 (M4, M5, M6)	M5 - DM96VE0603BNBB
111	0121F00280DG	PAINTED TOP, FURNACE 21 (M7, M8, M9)	M6 - DM96VE0803BNAD
111	0121F00281DG	PAINTED TOP, FURNACE 24.5 (M10)	M7 - DM96VE0804CNAD
111	0121F00662DG	PNT, FURNACE TOP 14" (M1, M2, M3)	M8 - DM96VE1004CNAD
121	0121F00313	ANGLE, SIDE (QTY 2)	M9 - DM96VE1005CNAD
201	0164M00007	HOSE-PRESSURE SW (M1, M2, M3)	M10 - DM96VE1205DNAD
201	0164M00019	HOSE-PRESSURE SW 6" (M4, M5, M6, M7, M8, M9, M10)	
211	0164M00010	HOSE-PRESSURE SW (M1, M2, M3)	
221	0130M00243	INTERLOCK SWITCH	
231	0164F00002	FLUE PIPE W/BEND	
241	0164F00001	ELBOW-FLUE, UPFLOW	
251	0154F00041	FRESH AIR GASKET	
271	0171M00007	ID BLOWER, 2 Stg (M1, M2, M3)	
271	0171M00002	MOTOR-ID, BLOWER (M4, M5, M6, M7, M8, M9, M10)	
281	0161F00037	COUPLING	
291	0130F00429	PRESSURE SWITCH (M4, M5, M6, M7, M8, M9, M10)	
291	0130F00646	PRESSURE SWITCH (M3)	
291	0130F00647	PRESSURE SWITCH (M1, M2)	
301	0130F00643	PRESSURE SWITCH (M1)	
301	0130F00644	PRESSURE SWITCH (M2)	
301	0130F00645	PRESSURE SWITCH (M3)	
301	0130F00434	SWITCH, PRESSURE (M8)	
301	0130F00435	SWITCH, PRESSURE (M4, M5)	
301	0130F00436	SWITCH, PRESSURE (M6)	
301	0130F00443	SWITCH, PRESSURE (M7, M9)	
301	0130F00445	SWITCH, PRESSURE (M10)	
311	0161F00042	JUNCTION BOX PLA	
331	0161F00043	JUNCTION BOX LID	
611	0163M00460	CLAMP-HOSE (QTY 2)	
791	0154F00015	GASKET (QTY 2)	
811	0154F00014	GASKET (M4, M5, M6)	
811	0154F00016	GASKET (M7, M8, M9)	
811	0154F00064	GASKET (M1, M2, M3)	
811	20194607	GASKET (M10)	
991	0121F00389	BRACKET, DOOR SWITCH	
NS	0159F00088	HARNESS, WIRING	
NS	M0326804	PLUG-TUBE	

Heat Exchanger Assembly



Heat Exchanger Assembly

Ref. Part No:	Ref. Part No:	Description:	Description:
Image 1:		Image 1:	
11	0130F00008	IGNITOR-SINI 17 SEC	171 0121F00540 SHEILD, BURNER (M4, M5)
21	0151M00027	GAS VALVE	171 0121F00541 SHEILD, BURNER (M6, M7)
31	0163F00019	ORIFICE (M1)	171 0121F00542 SHEILD, BURNER (M8, M9)
31	10716005	ORIFICE (M2, M3, M4, M5, M6, M7, M8, M9, M10)	171 0121F00543 SHEILD, BURNER (M10)
41	0130F00010	FLAME SENSOR	171 0121F00758 SHEILD, BURNER (M3)
51	0130F00123	MANUAL RESET R.O.S. LIMIT (M6)	171 0121F00755 SHIELD, BURNER (M1, M2)
51	10123517	MANUAL RESET R.O.S. LIMIT (M3)	181 0154F00043 GASKET ID BLOWER
51	10123527	MANUAL RESET R.O.S. LIMIT (M10)	231 A1781105 CAP-VINYL .500
51	10123534	MANUAL RESET R.O.S. LIMIT (M8, M9)	261 0121F00317 COVER, REAR (M4, M5, M6)
51	10123538	MANUAL RESET R.O.S. LIMIT (M1, M2)	261 0121F00318 COVER, REAR (M7, M8, M9)
51	10123539	MANUAL RESET R.O.S. LIMIT (M4, M5, M7)	261 0121F00319 COVER, REAR (M10)
61	0163F00007	MANIFOLD (M1, M2)	261 0121F00670 COVER, REAR (M1, M2, M3)
61	0163F00008	MANIFOLD (M4, M5)	271 0154F00058 GASKET REAR CVR (M1, M2, M3)
61	0163F00009	MANIFOLD (M7)	271 0154F00037 GASKET, REAR CVR (M4, M5, M6)
61	0163F00010	MANIFOLD (M8, M9)	271 0154F00038 GASKET, REAR CVR (M7, M8, M9)
61	0163F00011	MANIFOLD (M10)	271 0154F00039 GASKET, REAR CVR (M10)
61	0163F00014	MANIFOLD (M6)	371 20162903 LIMIT, PRIMARY (M1, M2, M3, M9)
61	0163F00037	MANIFOLD, 3B (M3)	371 20162904* LIMIT, PRIMARY (M6, M7)
71	0163F00017	BECKETT BURNER (QTY 2)	*Refer to service bulletin SF-054
81	0121F00456	BRACKET-BURNER 2 (M1, M2)	371 20162906 LIMIT, PRIMARY (M4, M5, M8)
81	0121F00455	BRACKET-BURNER 3 (M3, M4, M5)	371 0130F00036 LIMIT, PRIMARY, 180, PINK (M10)
81	0121F00454	BRACKET-BURNER 4 (M6, M7)	NS 0121F00582 INSULATION, RETAINER (M1, M2, M3)
81	0121F00453	BRACKET-BURNER 5 (M8, M9)	NS 0121F00583 INSULATION, RETAINER (M4, M5, M6)
81	0121F00451	BRACKET-BURNER 6 (M10)	NS 0121F00584 INSULATION, RETAINER (M7, M8, M9)
111	0121F00469	ORIFICE BRACKET-BURNER 2 (M1, M2)	NS 0121F00585 INSULATION, RETAINER (M10)
111	0121F00468	ORIFICE BRACKET-BURNER 3 (M3, M4, M5)	NS 0121F00439 PRIMARY LIMIT-HEAT SHIELD
111	0121F00467	ORIFICE BRACKET-BURNER 4 (M6, M7)	NS 0121F00355 SHIELD, COIL (QTY 2)
111	0121F00466	ORIFICE BRACKET-BURNER 5 (M8, M9)	
111	0121F00465	ORIFICE BRACKET-BURNER 6 (M10)	
131	0161F00072	COVER FRONT (M9)	
131	0161F00024	COVER, FRONT (M6)	
131	0161F00030	COVER, FRONT (M7)	
131	0161F00054	COVER, FRONT (M4, M5)	
131	0161F00063	COVER, FRONT (M10)	
131	0161F00081	COVER, FRONT (M1)	
131	0161F00082	COVER, FRONT (M2)	
131	0161F00083	COVER, FRONT (M3)	
131	0161F00065	COVER,FRONT (M8)	
141	0154F00026	GASKET FRONT COVER (M4, M5, M6)	
141	0154F00030	GASKET FRONT COVER (M7, M8, M9)	
141	0154F00034	GASKET FRONT COVER (M10)	
141	0154F00059	GASKET FRONT COVER	
141	0154F00059	GASKET FRONT COVER	
141	0154F00059	GASKET FRONT COVER	
141	0154F00062	GASKET FRONT COVER (M1, M2, M3)	
151	0257F00443	ASSY, HEAT EXCHANGER (M1)	
151	0257F00450	ASSY. HEAT EXCHANGER (M2)	
151	0257F00375	HEAT EXCHANGER ASSY (M4, M5)	
151	0257F00394	HEAT EXCHANGER ASSY (M8)	
151	0257F00397	HEAT EXCHANGER ASSY (M9)	
151	0257F00415	HEAT EXCHANGER ASSY (M3)	
151	0257F00290	HEAT EXCHANGER ASSY. (M7)	
151	0257F00292	HEAT EXCHANGER ASSY. (M10)	
151	0257F00354	HEAT EXCHANGER ASSY. (M6)	
161	M0326804	TUBE PLUG	

Expanded Model Nomenclature

M1 - DM96VE0303ANAB
M2 - DM96VE0403ANAB
M3 - DM96VE0603ANAB
M4 - DM96VE0603BNBA
M5 - DM96VE0603BNBB
M6 - DM96VE0803BNAD
M7 - DM96VE0804CNAD
M8 - DM96VE1004CNAD
M9 - DM96VE1005CNAD
M10 - DM96VE1205DNAD