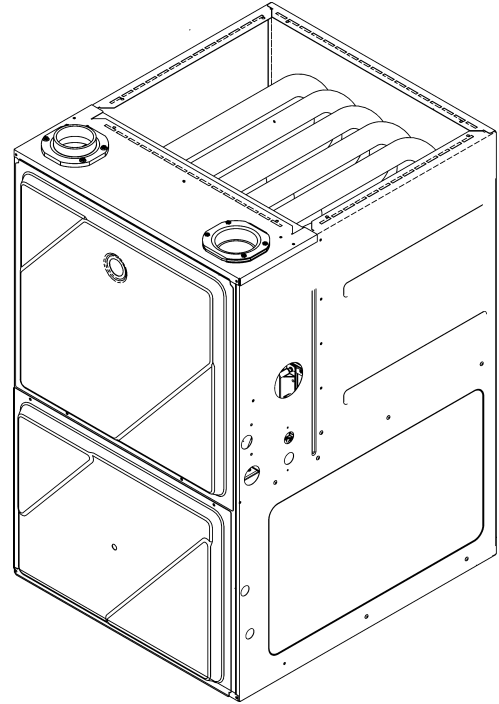


**DM96VE 96% Multi-Speed ECM Up Flow Furnace**

DM96VE0302BNAC  
DM96VE0303ANAA  
DM96VE0402BNAC  
DM96VE0403ANAA  
DM96VE0603ANAA  
DM96VE0603BNAC  
DM96VE0803BNAC  
DM96VE0804CNAB  
DM96VE0804CNAC  
DM96VE1004CNAC  
DM96VE1005CNAB  
DM96VE1005CNAC  
DM96VE1205DNAC



This manual is to be used by qualified technicians only.

This manual replaces RP-D2300B.

# Important Information

---

## Index

Functional Parts List .....	3
Illustration and Parts .....	4 - 11

*Views shown are for parts illustrations only, not servicing procedures*

*12-14-22: UPDATED THE MANIFOLD PART NUMBER FOR DM96VE0603ANAA*

### Text Codes:

AR - As Required

NA - Not Available

NS - Not Shown

00000000 - See Note

QTY - Quantity Example (QTY 3) (If Quantity not shown, Quantity = 1)

M - Model Example (M1) (If M Code not shown, then part is used on all Models)

### Expanded Model Nomenclature:

Example M1 - Model#1 M2 - Model#2 M3 - Model#3
---

Daikin Manufacturing Company, L.P. is not responsible for personal injury or property damage resulting from improper service. Review all service information before beginning repairs.

Warranty service must be performed by an authorized technician, using authorized factory parts. If service is required after the warranty expires, Daikin Manufacturing Company, L.P. also recommends contacting an authorized technician and using authorized factory parts.

Daikin Manufacturing Company, L.P. reserves the right to discontinue, or change at any time, specifications or designs without notice or without incurring obligations.

For assistance within the U.S.A. contact:

Homeowner Support  
Daikin North America, LLC  
19001 Kermier Road  
Waller, Texas 77484  
855-770-5678-Telephone  
713-863-2382-Facsimile

For assistance outside the U.S.A. contact:

International Division  
Daikin North America, LLC  
19001 Kermier Road  
Waller, Texas 77484  
713-861-2500-Telephone  
713-863-2382-Facsimile

# Functional Parts

## Part

## No: Description:

20162904	*PRIMARY LIMIT-TEMPERATURE CONTROL (M1, M3, M6, M7, M8, M9)	20162903	PRIMARY LIMIT - BLUE (M2, M4, M5, M11, M12)
0257F00443	ASSY, HEAT EXCHANGER (M2)	0130F00036	PRIMARY LIMIT - PINK 180° (M13)
0257F00450	ASSY, HEAT EXCHANGER (M4)	20162906	PRIMARY LIMIT - WHITE (M10)
0130F00038	AUX LIMIT - LT BLUE 120° (QTY 2)	0130F00435	SWITCH, PRESSURE (M6)
0163F00017	BECKETT BURNER (QTY 2)	0130F00433	SWITCH, PRESSURE (M3)
0271F00161	BLOWER SHELL & WHEEL ASSY (M8, M9, M10, M11, M12)	0130F00433	SWITCH, PRESSURE (M4)
0271F00159	BLOWER SHELL & WHEEL ASSY (M6, M7)	0130F00643	SWITCH, PRESSURE (M2)
0271F00163	BLOWER SHELL & WHEEL ASSY (M13)	0130F00645	SWITCH, PRESSURE (M5)
0130F00010	FLAME SENSOR	0130F00436	SWITCH, PRESSURE (M7)
0151M00027	GAS VALVE	0130F00443	SWITCH, PRESSURE (M8, M9, M11, M12)
0257F00375	HEAT EXCHANGER ASSY (M6)	0130F00445	SWITCH, PRESSURE (M13)
0257F00373	HEAT EXCHANGER ASSY (M3)	0130F00434	SWITCH, PRESSURE (M1, M10)
0257F00397	HEAT EXCHANGER ASSY (M11, M12)	0130M00140	TRANSFORMER 120V TO 24V, 40VA
0257F00394	HEAT EXCHANGER ASSY (M10)	0150M00043	WHEEL, BLOWER (10 X 8) (M1, M3)
0257F00415	HEAT EXCHANGER ASSY (M5)		
0257F00388	HEAT EXCHANGER ASSY. (M1)		
0257F00354	HEAT EXCHANGER ASSY. (M7)		
0257F00292	HEAT EXCHANGER ASSY. (M13)		
0257F00290	HEAT EXCHANGER ASSY. (M8, M9)		
0171M00007	ID BLOWER, 2 Stg (M2, M4, M5)		
0130F00008	IGNITOR-SINI 17 SEC		
0130M00243	INTERLOCK SWITCH		
10123527	MANUAL RESET R.O.S. LIMIT (M13)		
10123517	MANUAL RESET R.O.S. LIMIT (M5)		
10123533	MANUAL RESET R.O.S. LIMIT (M1)		
10123534	MANUAL RESET R.O.S. LIMIT (M10, M11, M12)		
10123538	MANUAL RESET R.O.S. LIMIT (M2, M4)		
10123539	MANUAL RESET R.O.S. LIMIT (M3, M6, M8, M9)		
0130F00123	MANUAL RESET R.O.S. LIMIT (M7)		
0131F00033	MOTOR, BLOWER (M3)		
0131F00050	MOTOR, BLOWER (M2)		
0131F00051	MOTOR, BLOWER (M5)		
0131F00052	MOTOR, BLOWER (M4)		
0131F00037	MOTOR, BLOWER (M13)		
0131F00032	MOTOR, BLOWER (M1)		
0131F00035	MOTOR, BLOWER (M7)		
0131F00034	MOTOR, BLOWER (M6)		
0131F00036	MOTOR, BLOWER (M10)		
0131F00040	MOTOR,BLOWER (M11, M12)		
0131F00039	MOTOR,BLOWER (M8, M9)		
0171M00002	MOTOR-ID, BLOWER (M1, M3, M6, M7, M8, M9, M10, M11, M12, M13)		
0171M00002	MOTOR-ID, BLOWER (M1, M3, M6, M7, M8, M9, M10, M11, M12, M13)		
PCBBF137	PCB IGNITION HSI INTEG (M8, M11)		
PCBBF139	PCB, IGNITION CONTROL (M1, M2, M3, M4, M5, M6, M7, M9, M10, M12, M13)		
0130F00429	PRESSURE SWITCH (M6, M7, M8, M9, M10, M11, M12, M13)		
0130F00646	PRESSURE SWITCH (M5)		
0130F00485	PRESSURE SWITCH (M1, M3)		
0130F00647	PRESSURE SWITCH (M2, M4)		

### SPECIAL PARTS

0161F00039 DAIKIN NAMEPLATE

### Expanded Model Nomenclature

M1 - DM96VE0302BNAC
M2 - DM96VE0303ANAA
M3 - DM96VE0402BNAC
M4 - DM96VE0403ANAA
M5 - DM96VE0603ANAA
M6 - DM96VE0603BNAC
M7 - DM96VE0803BNAC
M8 - DM96VE0804CNAB
M9 - DM96VE0804CNAC
M10 - DM96VE1004CNAC
M11 - DM96VE1005CNAB
M12 - DM96VE1005CNAC
M13 - DM96VE1205DNAC

# Cabinet Assembly

IMAGE 1

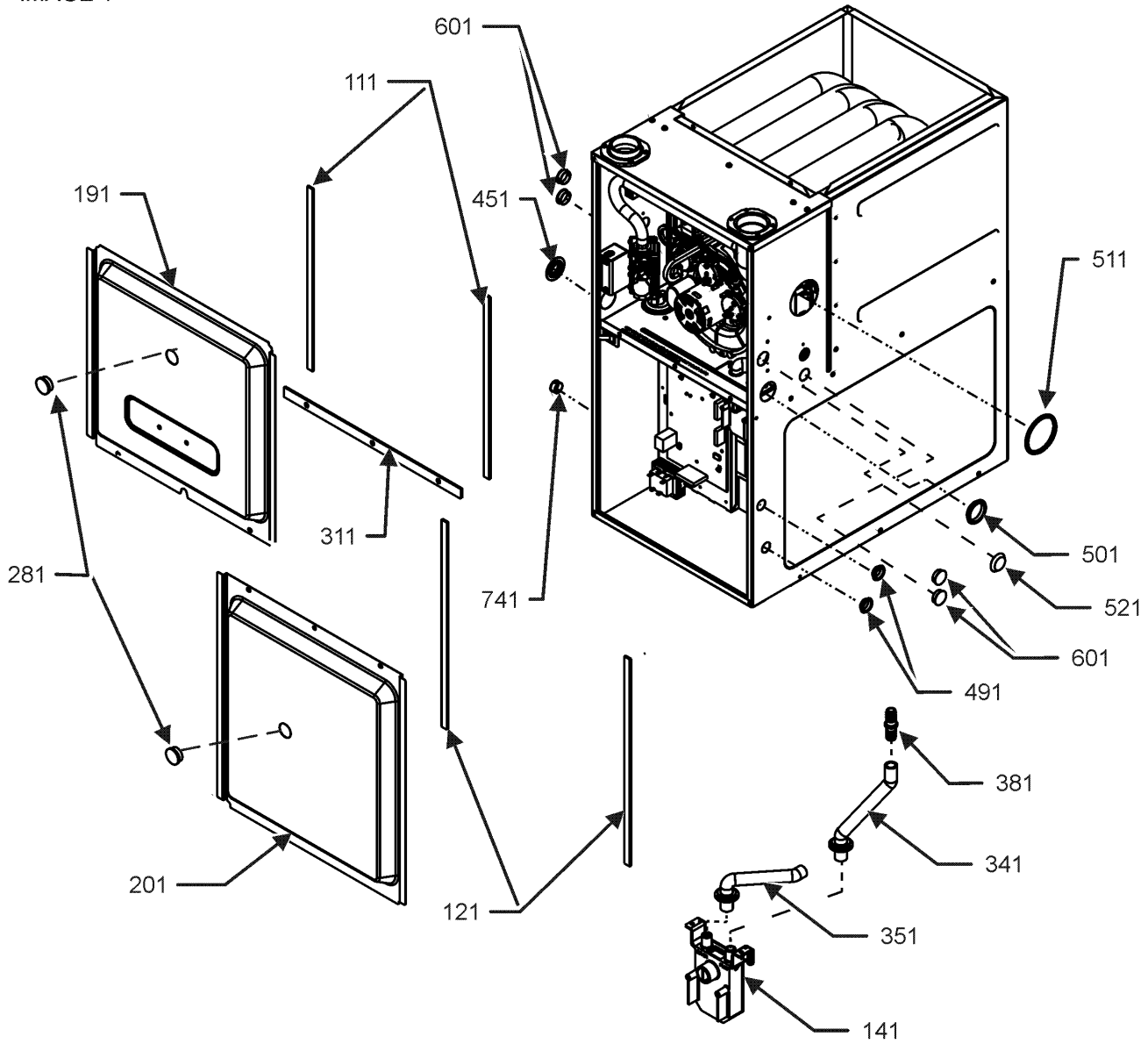
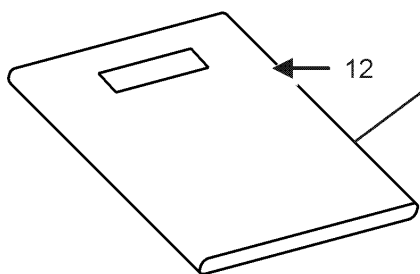
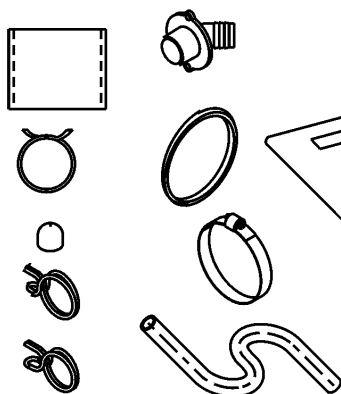


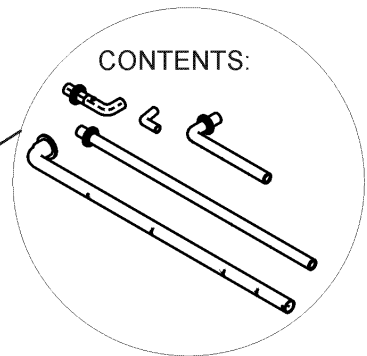
IMAGE 2



CONTENTS:



CONTENTS:



# Cabinet Assembly

Ref. Part No:	Part No:	Description:	Ref. Part No:	Part No:	Description:
---------------	----------	--------------	---------------	----------	--------------

**Image 1:**

111	0154F00024	GASKET (QTY 2)
121	0154F00025	GASKET (QTY 2)
141	0161F00046	DRAIN TRAP
191	0121F00337NG	DOOR, ACCESS 17.5" PNT (M1, M3, M6, M7)
191	0121F00338NG	DOOR, ACCESS 21" PNT (M8, M9, M10, M11, M12)
191	0121F00339NG	DOOR, ACCESS 24.5" PNT (M13)
191	0121F00673NG	PNT, DOOR, ACCESS 14" (M2, M4, M5)
201	0121F00340NG	DOOR, BLOWER 17.5" PNT (M1, M3, M6, M7)
201	0121F00341NG	DOOR, BLOWER 21" PNT (M8, M9, M10, M11, M12)
201	0121F00342NG	DOOR, BLOWER 24.5" PNT (M13)
201	0121F00671NG	PNT, DOOR, BLOWER 14" (M2, M4, M5)
281	B1392139	VIEW PORT BUSHING-BLOWER DOOR (QTY 2)
311	0154F00020	GASKET, DECK (M1, M3, M6, M7)
311	0154F00021	GASKET, DECK (M8, M9, M10, M11, M12)
311	0154F00022	GASKET, DECK (M13)
311	0154F00063	GASKET, DECK (M2, M4, M5)
341	0164F00017	HOSE-ELBOW/TRAP
351	0164F00020	DRAIN HOSE (M2, M4, M5)
351	0164F00006	HOSE, COVER/TRAP (M1, M3, M6, M7, M8, M9, M10, M11, M12, M13)
381	0161F00047	COUPLING, HOSE BARBED
451	M0501301	PIPE GROMMET
491	M0570808	BUTTON PLUG (QTY 3)
501	M0570806	BUTTON PLUG
511	M0570807	BUTTON PLUG
521	0161M00027	PLUG, HOLE
601	B1392021	PLASTIC PLUG, 1" (2713-BLK) (QTY 4)
741	B1392104	UNIVERSAL BUSHING UB 875
NS	M0310345	BUTTON PLUG (QTY 2)
NS	0161F00039	DAIKIN NAMEPLATE
NS	M0209730	SCREW-DECORATIVE (QTY 3)

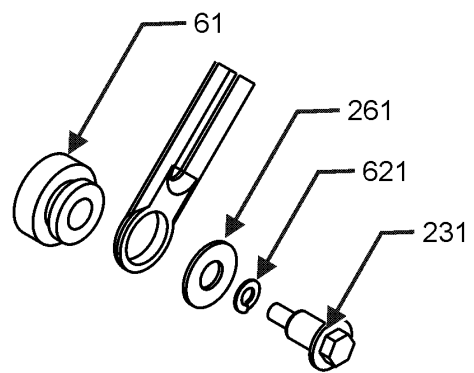
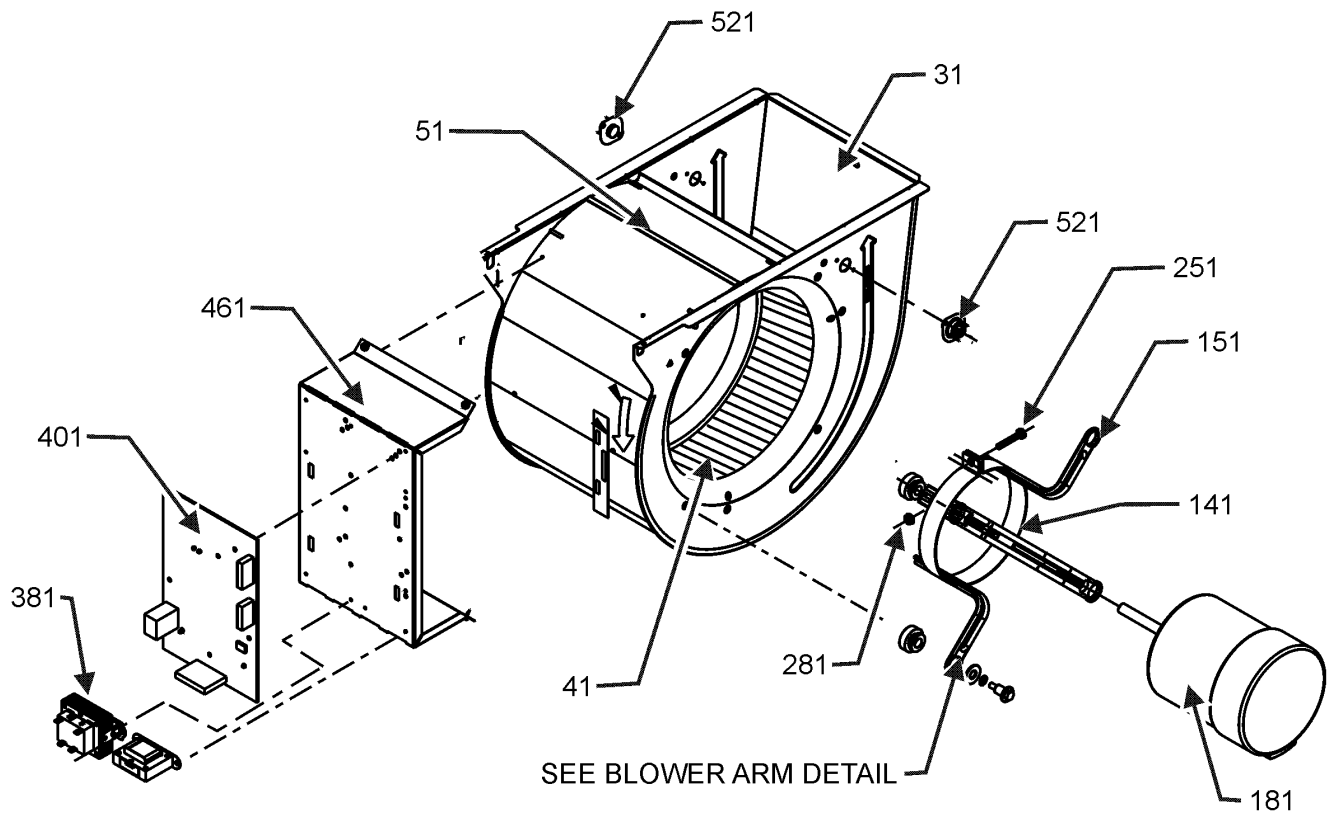
**Image 2:**

12	0270F03140	DRAIN PART BAG ASSY UF
22	0270F03667	BAG ASSY UF

**Expanded Model Nomenclature**

- |                      |
|----------------------|
| M1 - DM96VE0302BNAC  |
| M2 - DM96VE0303ANAA  |
| M3 - DM96VE0402BNAC  |
| M4 - DM96VE0403ANAA  |
| M5 - DM96VE0603ANAA  |
| M6 - DM96VE0603BNAC  |
| M7 - DM96VE0803BNAC  |
| M8 - DM96VE0804CNAB  |
| M9 - DM96VE0804CNAC  |
| M10 - DM96VE1004CNAC |
| M11 - DM96VE1005CNAB |
| M12 - DM96VE1005CNAC |
| M13 - DM96VE1205DNAC |

# Blower Assembly



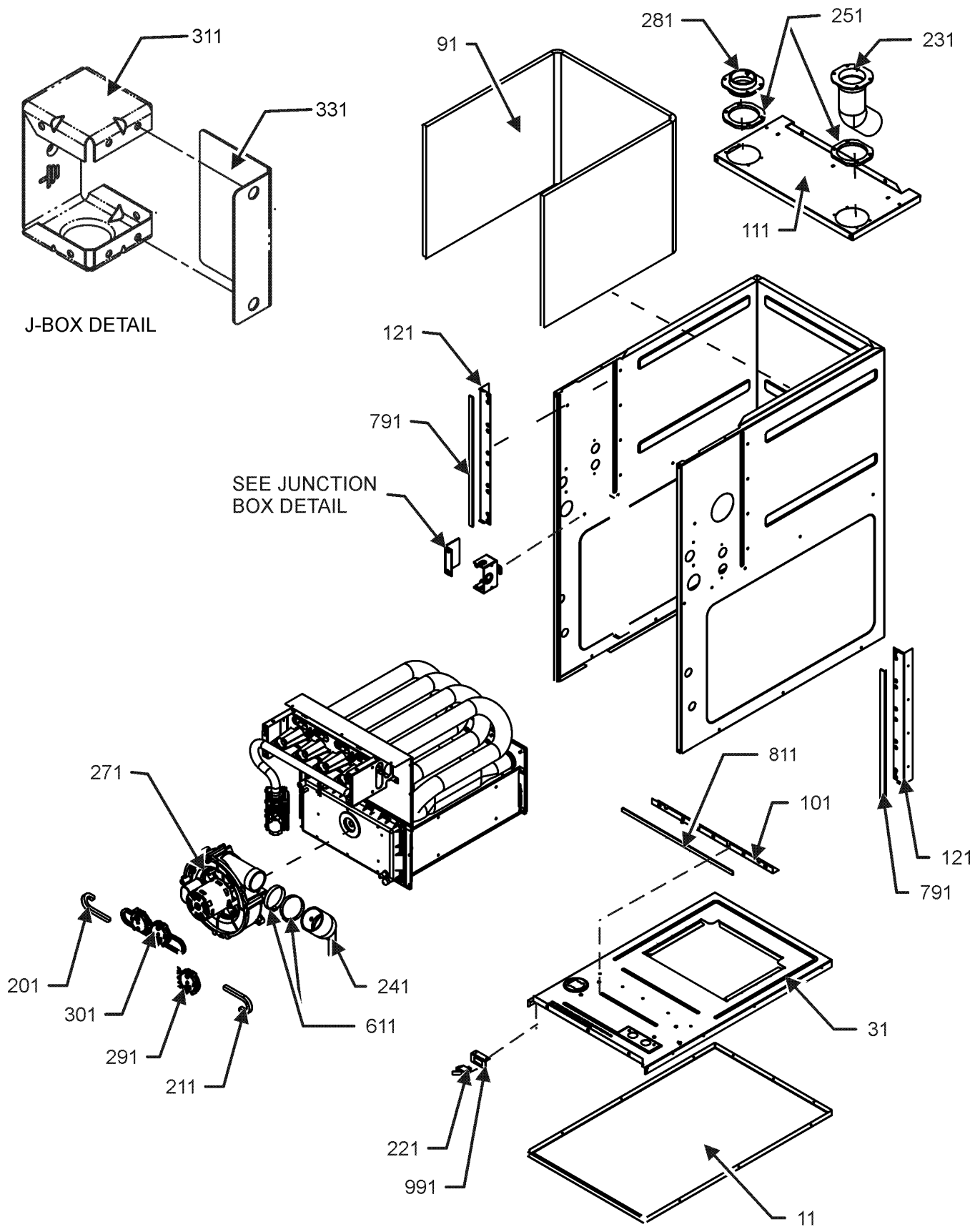
BLOWER ARM DETAIL

BLOWER ASSEMBLY MAY DIFFER FROM WHAT IS SHOWN

# Blower Assembly

Ref. Part No:	Ref. Part No:	Description:	Description:
<b>Image 1:</b>		<b>Expanded Model Nomenclature</b>	
31	0271F00181	BLOWER HSG ASSY (M1, M3)	M1 - DM96VE0302BNAC
31	0271F00159	BLOWER SHELL & WHEEL ASSY (M6, M7)	M2 - DM96VE0303ANAA
31	0271F00161	BLOWER SHELL & WHEEL ASSY (M8, M9, M10, M11, M12)	M3 - DM96VE0402BNAC
31	0271F00163	BLOWER SHELL & WHEEL ASSY (M13)	M4 - DM96VE0403ANAA
31	0271F00322	BLOWER SHELL & WHEEL ASSY (M2, M4, M5)	M5 - DM96VE0603ANAA
41	0150M00043	WHEEL, BLOWER (10 X 8) (M1, M3)	M6 - DM96VE0603BNAC
51	764740	BLOWER BLOCK-OFF 10 X 8 (M1, M3)	M7 - DM96VE0803BNAC
61	A4002702	BLOWER MOTOR GROMMET (M8, M9, M10, M11, M12, M13)	M8 - DM96VE0804CNAB
141	0121M00038	MOTOR MOUNT BAND (M1, M2, M3, M4, M5, M6, M7)	M9 - DM96VE0804CNAC
141	10441601	MOTOR MOUNT BAND (M8, M9, M10, M11, M12, M13)	M10 - DM96VE1004CNAC
151	10441501	MOTOR MOUNT ARM (M8, M9, M10, M11, M12, M13)	M11 - DM96VE1005CNAB
151	B1376857	MOTOR MOUNT ARM (M1, M2, M3, M4, M5, M6, M7)	M12 - DM96VE1005CNAC
181	0131F00032	MOTOR, BLOWER (M1)	M13 - DM96VE1205DNAC
181	0131F00033	MOTOR, BLOWER (M3)	
181	0131F00034	MOTOR, BLOWER (M6)	
181	0131F00035	MOTOR, BLOWER (M7)	
181	0131F00036	MOTOR, BLOWER (M10)	
181	0131F00037	MOTOR, BLOWER (M13)	
181	0131F00050	MOTOR, BLOWER (M2)	
181	0131F00051	MOTOR, BLOWER (M5)	
181	0131F00052	MOTOR, BLOWER (M4)	
181	0131F00039	MOTOR, BLOWER (M8, M9)	
181	0131F00040	MOTOR, BLOWER (M11, M12)	
181	0171M00002	MOTOR-ID, BLOWER (M1, M3, M6, M7, M8, M9, M10, M11, M12, M13)	
231	0163F00028	SCREW (M8, M9, M10, M11, M12, M13)	
231	M0250565	TC SCREW 1.25" (M1, M2, M3, M4, M5, M6, M7)	
251	M0267144	MACHINE SCREW (M8, M9, M10, M11, M12, M13)	
251	B1393323	MACHINE SCREW HWH 1/4-20 X 1-1/2 BZ (M1, M2, M3, M4, M5, M6, M7)	
261	B1392918	WASHER, FLAT 1/4 ID X 1 OD (M1, M2, M3, M4, M5, M6, M7)	
261	M0274008	WASHER-FLAT (M8, M9, M10, M11, M12, M13)	
281	M0282015	KEPS NUT (M8, M9, M10, M11, M12, M13)	
281	B1393800	LOCKNUT, NYLON, INSERT 1/4, 20 (M1, M2, M3, M4, M5, M6, M7)	
381	0130M00140	TRANSFORMER 120V TO 24V, 40VA	
401	PCBBF137	PCB IGNITION HSI INTEG (M8, M11)	
401	PCBBF139	PCB, IGNITION CONTROL (M1, M2, M3, M4, M5, M6, M7, M9, M10, M12, M13)	
461	0121F00464	MOUNTING PLATE-CONTROLS	
521	0130F00038	AUX LIMIT - LT BLUE 120° (QTY 2)	
621	B1392820	WASHER, SPLIT LOCK 1/4 BZ (M8, M9, M10, M11, M12, M13)	
NS	B1392021	PLASTIC PLUG, 1" (2713-BLK) (QTY 4)	
NS	0259F00024	WIRE HARNESS-BLOWER	

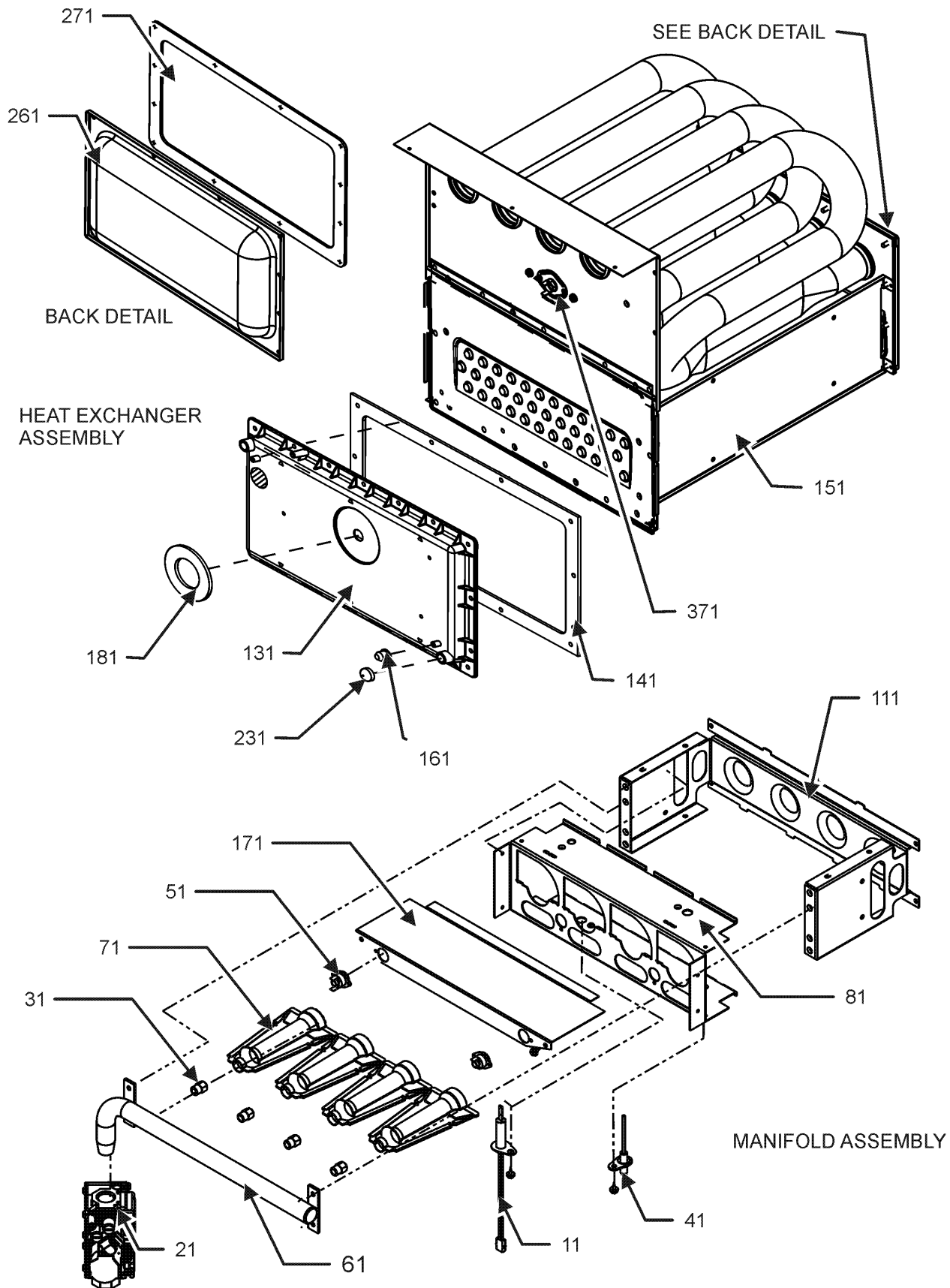
# Chassis Assembly



# Chassis Assembly

Ref. Part No: No:	Description:	Ref. Part No: No:	Description:
<b>Image 1:</b>		<b>Image 1:</b>	
11	0121F00530DG BASEPAN, 17.5 (M1, M3, M6, M7)	991	0121F00389 BRACKET, DOOR SWITCH
11	0121F00531DG BASEPAN, 21 PNT (M8, M9, M10, M11, M12)	NS	0159F00034 HARNESS-WIRING (M8, M11)
11	0121F00532DG BASEPAN, 24.5 PNT (M13)	NS	0159F00035 HARNESS-WIRING (M8, M11)
11	0121F00664DG BASEPAN, 14 PNT (M2, M4, M5)	NS	0159F00068 HARNESS-WIRING
31	0121F00663 DECK, BLOWER 14" (M2, M4, M5)	NS	0159F00076 HARNESS-WIRING (M1, M2, M3, M4, M5, M6, M7, M9, M10, M12, M13)
31	0121F00533 DECK-BLOWER 17.5" (M1, M3, M6, M7)	NS	M0326804 PLUG-TUBE
31	0121F00534 DECK-BLOWER 21" (M8, M9, M10, M11, M12)	<b>Expanded Model Nomenclature</b>	
31	0121F00535 DECK-BLOWER 24.5" (M13)	<div style="border: 1px solid black; padding: 5px;"> M1 - DM96VE0302BNAC  M2 - DM96VE0303ANAA  M3 - DM96VE0402BNAC  M4 - DM96VE0403ANAA  M5 - DM96VE0603ANAA  M6 - DM96VE0603BNAC  M7 - DM96VE0803BNAC  M8 - DM96VE0804CNAB  M9 - DM96VE0804CNAC  M10 - DM96VE1004CNAC  M11 - DM96VE1005CNAB  M12 - DM96VE1005CNAC  M13 - DM96VE1205DNAC </div>	
91	0160F00025 INSULATION, HT EXCHANGER (M2, M4, M5)		
91	0160F00015 INSULATION, HT EXCHANGER 17.5" (M1, M3, M6, M7)		
91	0160F00016 INSULATION, HT EXCHANGER 21" (M8, M9, M10, M11, M12)		
91	0160F00017 INSULATION, HT EXCHANGER 24.5" (M13)		
101	0121F00314 ANGLE, DECK (M1, M3, M6, M7)		
101	0121F00315 ANGLE, DECK (M8, M9, M10, M11, M12)		
101	0121F00316 ANGLE, DECK (M13)		
101	0121F00661 ANGLE, DECK (M2, M4, M5)		
111	0121F00279DG PAINTED TOP, FURNACE 17.5 (M1, M3, M6, M7)		
111	0121F00280DG PAINTED TOP, FURNACE 21 (M8, M9, M10, M11, M12)		
111	0121F00281DG PAINTED TOP, FURNACE 24.5 (M13)		
111	0121F00662DG PNT, FURNACE TOP 14" (M2, M4, M5)		
121	0121F00313 ANGLE, SIDE (QTY 2)		
201	0164M00019 HOSE-PRESSURE SW 6" (QTY 2)		
211	0164M00010 HOSE-PRESSURE SW (M2, M4, M5)		
221	0130M00243 INTERLOCK SWITCH		
231	0164F00002 FLUE PIPE W/BEND		
241	0164F00001 ELBOW-FLUE, UPFLOW		
251	0154F00041 FRESH AIR GASKET (QTY 2)		
271	0171M00007 ID BLOWER, 2 Stg (M2, M4, M5)		
271	0171M00002 MOTOR-ID, BLOWER (M1, M3, M6, M7, M8, M9, M10, M11, M12, M13)		
281	0161F00037 COUPLING		
291	0130F00429 PRESSURE SWITCH (M6, M7, M8, M9, M10, M11, M12, M13)		
291	0130F00485 PRESSURE SWITCH (M1, M3)		
291	0130F00646 PRESSURE SWITCH (M5)		
291	0130F00647 PRESSURE SWITCH (M2, M4)		
301	0130F00433 SWITCH, PRESSURE (M4)		
301	0130F00433 SWITCH, PRESSURE (M3)		
301	0130F00434 SWITCH, PRESSURE (M1, M10)		
301	0130F00435 SWITCH, PRESSURE (M6)		
301	0130F00436 SWITCH, PRESSURE (M7)		
301	0130F00443 SWITCH, PRESSURE (M8, M9, M11, M12)		
301	0130F00445 SWITCH, PRESSURE (M13)		
301	0130F00643 SWITCH, PRESSURE (M2)		
301	0130F00645 SWITCH, PRESSURE (M5)		
311	0161F00042 JUNCTION BOX PLA		
331	0161F00043 JUNCTION BOX LID		
611	0163M00049 CLAMP HOSE (QTY 2)		
791	0154F00015 GASKET (QTY 2)		
811	0154F00014 GASKET (M1, M3, M6, M7)		
811	0154F00016 GASKET (M8, M9, M10, M11, M12)		
811	0154F00064 GASKET (M2, M4, M5)		
811	20194607 GASKET (M13)		

# Heat Exchanger Assembly



# Heat Exchanger Assembly

Ref. Part No:	Ref. Part No:	Description:	Description:
<b>Image 1:</b>		<b>Image 1:</b>	
11	0130F00008	IGNITOR-SINI 17 SEC	151 0257F00290 HEAT EXCHANGER ASSY. (M8, M9)
21	0151M00027	GAS VALVE	151 0257F00292 HEAT EXCHANGER ASSY. (M13)
31	0163F00019	ORIFICE (M1, M2)	151 0257F00354 HEAT EXCHANGER ASSY. (M7)
31	10716005	ORIFICE (M3, M4, M5, M6, M7, M8, M9, M10, M11, M12, M13)	151 0257F00388 HEAT EXCHANGER ASSY. (M1)
41	0130F00010	FLAME SENSOR	161 M0326804 TUBE PLUG
51	0130F00123	MANUAL RESET R.O.S. LIMIT (M7)	171 0121F00539 SHEILD, BURNER (M1, M2, M3, M4)
51	10123517	MANUAL RESET R.O.S. LIMIT (M5)	171 0121F00540 SHEILD, BURNER (M5, M6)
51	10123527	MANUAL RESET R.O.S. LIMIT (M13)	171 0121F00541 SHEILD, BURNER (M7, M8, M9)
51	10123533	MANUAL RESET R.O.S. LIMIT (M1)	171 0121F00542 SHEILD, BURNER (M10, M11, M12)
51	10123534	MANUAL RESET R.O.S. LIMIT (M10, M11, M12)	171 0121F00543 SHEILD, BURNER (M13)
51	10123538	MANUAL RESET R.O.S. LIMIT (M2, M4)	181 0154F00043 GASKET ID BLOWER
51	10123539	MANUAL RESET R.O.S. LIMIT (M3, M6, M8, M9)	231 A1781105 CAP-VINYL .500
61	0163F00007	MANIFOLD (M1, M2, M3, M4)	261 0121F00317 COVER, REAR (M1, M3, M6, M7)
61	0163F00008	MANIFOLD (M6)	261 0121F00318 COVER, REAR (M8, M9, M10, M11, M12)
61	0163F00009	MANIFOLD (M8, M9)	261 0121F00319 COVER, REAR (M13)
61	0163F00010	MANIFOLD (M10, M11, M12)	261 0121F00670 COVER, REAR (M2, M4, M5)
61	0163F00011	MANIFOLD (M13)	271 0154F00058 GASKET REAR CVR (M2, M4, M5)
61	0163F00014	MANIFOLD (M7)	271 0154F00037 GASKET, REAR CVR (M1, M3, M6, M7)
61	0163F00037	MANIFOLD (M5)	271 0154F00038 GASKET, REAR CVR (M8, M9, M10, M11, M12)
71	0163F00017	BECKETT BURNER (QTY 2)	271 0154F00039 GASKET, REAR CVR (M13)
81	0121F00456	BRACKET-BURNER 2 (M1, M2, M3, M4)	371 20162904 *PRIMARY LIMIT-TEMPERATURE CONTROL (M1, M3, M6, M7, M8, M9)
81	0121F00455	BRACKET-BURNER 3 (M5, M6)	371 20162903 PRIMARY LIMIT - BLUE (M2, M4, M5, M11, M12)
81	0121F00454	BRACKET-BURNER 4 (M7, M8, M9)	371 0130F00036 PRIMARY LIMIT - PINK 180° (M13)
81	0121F00453	BRACKET-BURNER 5 (M10, M11, M12)	371 20162906 PRIMARY LIMIT - WHITE (M10)
81	0121F00451	BRACKET-BURNER 6 (M13)	NS 0121F00582 INSULATION, RETAINER (M2, M4, M5)
111	0121F00469	ORIFICE BRACKET-BURNER 2 (M1, M2, M3, M4)	NS 0121F00583 INSULATION, RETAINER (M1, M3, M6, M7)
111	0121F00468	ORIFICE BRACKET-BURNER 3 (M5, M6)	NS 0121F00584 INSULATION, RETAINER (M8, M9, M10, M11, M12)
111	0121F00467	ORIFICE BRACKET-BURNER 4 (M7, M8, M9)	NS 0121F00585 INSULATION, RETAINER (M13)
111	0121F00466	ORIFICE BRACKET-BURNER 5 (M10, M11, M12)	NS 0121F00439 PRIMARY LIMIT-HEAT SHIELD
111	0121F00465	ORIFICE BRACKET-BURNER 6 (M13)	NS 0121F00355 SHIELD, COIL (QTY 2)
131	0161F00072	COVER FRONT (M11, M12)	
131	0161F00015	COVER, FRONT (M3)	
131	0161F00024	COVER, FRONT (M7)	
131	0161F00030	COVER, FRONT (M8, M9)	
131	0161F00032	COVER, FRONT (M1)	
131	0161F00054	COVER, FRONT (M6)	
131	0161F00063	COVER, FRONT (M13)	
131	0161F00081	COVER, FRONT (M2)	
131	0161F00082	COVER, FRONT (M4)	
131	0161F00083	COVER, FRONT (M5)	
131	0161F00065	COVER,FRONT (M10)	
141	0154F00026	GASKET FRONT COVER (M1, M3, M6, M7)	
141	0154F00030	GASKET FRONT COVER (M8, M9, M10, M11, M12)	
141	0154F00034	GASKET FRONT COVER (M13)	
141	0154F00059	GASKET FRONT COVER	
141	0154F00059	GASKET FRONT COVER	
141	0154F00059	GASKET FRONT COVER	
141	0154F00062	GASKET FRONT COVER (M2, M4, M5)	
151	0257F00443	ASSY, HEAT EXCHANGER (M2)	
151	0257F00450	ASSY. HEAT EXCHANGER (M4)	
151	0257F00373	HEAT EXCHANGER ASSY (M3)	
151	0257F00375	HEAT EXCHANGER ASSY (M6)	
151	0257F00394	HEAT EXCHANGER ASSY (M10)	
151	0257F00397	HEAT EXCHANGER ASSY (M11, M12)	
151	0257F00415	HEAT EXCHANGER ASSY (M5)	

### Expanded Model Nomenclature

M1 - DM96VE0302BNAC
M2 - DM96VE0303ANAA
M3 - DM96VE0402BNAC
M4 - DM96VE0403ANAA
M5 - DM96VE0603ANAA
M6 - DM96VE0603BNAC
M7 - DM96VE0803BNAC
M8 - DM96VE0804CNAB
M9 - DM96VE0804CNAC
M10 - DM96VE1004CNAC
M11 - DM96VE1005CNAB
M12 - DM96VE1005CNAC
M13 - DM96VE1205DNAC