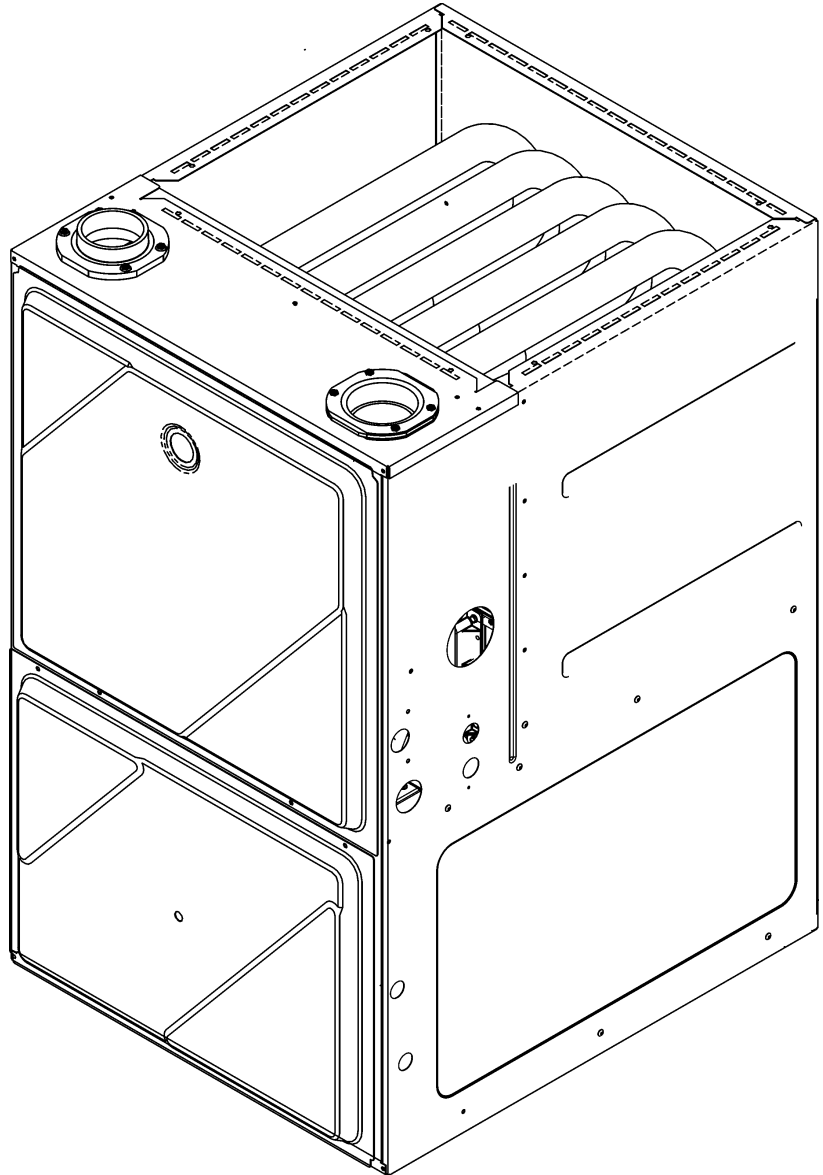


DM96VE 96% ECM Up Flow Furnace

DM96VE0302BNAB
DM96VE0402BNAA
DM96VE0402BNAB
DM96VE0603BNAA
DM96VE0603BNAB
DM96VE0803BNAA
DM96VE0803BNAB
DM96VE1004CNAA
DM96VE1004CNAB
DM96VE1205DNAA
DM96VE1205DNAB



This manual is to be used by qualified technicians only.

This manual replaces RP-D2019C.

Important Information

Index

Functional Parts List	3
Illustration and Parts	4 - 11

Views shown are for parts illustrations only, not servicing procedures

Text Codes:

AR - As Required

NA - Not Available

NS - Not Shown

00000000 - See Note

QTY - Quantity Example (QTY 3) (If Quantity not shown, Quantity = 1)

M - Model Example (M1) (If M Code not shown, then part is used on all Models)

Expanded Model Nomenclature:

Example M1 - Model#1 M2 - Model#2 M3 - Model#3

Daikin Company, L.P. is not responsible for personal injury or property damage resulting from improper service. Review all service information before beginning repairs.

Warranty service must be performed by an authorized technician, using authorized factory parts. If service is required after the warranty expires, Daikin Company, L.P. also recommends contacting an authorized technician and using authorized factory parts.

Daikin Company, L.P. reserves the right to discontinue, or change at any time, specifications or designs without notice or without incurring obligations.

For assistance within the U.S.A. contact:

Consumer Affairs Department
Daikin North America, LLC
7401 Security Way
Houston, Texas 77040
855-770-5678-Telephone
713-863-2382-Facsimile

For assistance outside the U.S.A. contact:

International Division
Daikin North America, LLC
7401 Security Way
Houston, Texas 77040
713-861-2500-Telephone
713-863-2382-Facsimile

Functional Parts

Part

No: Description:

20162904	*PRIMARY LIMIT-TEMPERATURE CONTROL (M1, M2, M3, M4, M5, M6, M7) *Refer to SF-054
0130F00038	AUX LIMIT - LT BLUE 120° (QTY 2)
0163F00017	BECKETT BURNER (QTY 2)
764740	BLOWER BLOCK-OFF 10 X 8 (M1, M2, M3)
0271F00181	BLOWER HSG ASSY (M1, M2, M3)
0271F00159	BLOWER SHELL & WHEEL ASSY (M4, M5, M6, M7)
0271F00163	BLOWER SHELL & WHEEL ASSY (M10, M11)
0271F00161	BLOWER SHELL & WHEEL ASSY (M8, M9)
0130F00010	FLAME SENSOR
0151M00027	GAS VALVE
0257F00388	HEAT EXCHANGER ASSY (M1)
0257F00391	HEAT EXCHANGER ASSY (M10, M11)
0257F00394	HEAT EXCHANGER ASSY (M8, M9)
0257F00375	HEAT EXCHANGER ASSY. (M4, M5)
0257F00354	HEAT EXCHANGER ASSY. (M6, M7)
0257F00385	HEAT EXCHANGER ASSY. (M2, M3)
0130M00243	INTERLOCK SWITCH
10123527	MANUAL RESET R.O.S. LIMIT (M10, M11)
0130F00123	MANUAL RESET R.O.S. LIMIT (M6, M7)
10123534	MANUAL RESET R.O.S. LIMIT (M8, M9)
10123539	MANUAL RESET R.O.S. LIMIT (M2, M3, M4, M5)
10123533	MANUAL RESET R.O.S. LIMIT (M1)
0131F00036	MOTOR, BLOWER (M8, M9)
0131F00034	MOTOR, BLOWER (M4, M5)
0131F00037	MOTOR, BLOWER (M10, M11)
0131F00032	MOTOR, BLOWER (M1)
0131F00035	MOTOR, BLOWER (M6, M7)
0131F00033	MOTOR, BLOWER (M2, M3)
PCBBF137	PCB IGNITION HSI INTEG (M1, M3, M5, M7, M9, M11)
PCBBF133	PCB, IGNITION, HSI, INTEG. (M2, M4, M6, M8, M10)
0130F00481	PRESSURE SWITCH (-.1 (COL BOX)) (M4, M5, M6, M7, M8, M9, M10, M11)
0130F00486	PRESSURE SWITCH (-.1 (COL BOX)) (M1, M2, M3)
0130F00472	PRESSURE SWITCH (-.67 / -1.15) (M1, M8, M9)
0130F00471	PRESSURE SWITCH (-.72 / -.97) (M2, M3)
0130F00474	PRESSURE SWITCH (-.72 / -1.47) (M6, M7)
0130F00446	PRESSURE SWITCH (-.76 / -1.25) (M10, M11)
0130F00473	PRESSURE SWITCH (-.92 / -1.47) (M4, M5)
0130F00036	PRIMARY LIMIT - PINK (M10, M11)
20162906	PRIMARY LIMIT - WHITE (M8, M9)
0130F00008	SINI IGNITOR
0130M00140	TRANSFORMER 120V TO 24V, 40VA
0150M00043	WHEEL, BLOWER (10 X 8) (M1, M2, M3)

Expanded Model Nomenclature

M1 - DM96VE0302BNAB
M2 - DM96VE0402BNAA
M3 - DM96VE0402BNAB
M4 - DM96VE0603BNAA
M5 - DM96VE0603BNAB
M6 - DM96VE0803BNAA
M7 - DM96VE0803BNAB
M8 - DM96VE1004CNAA
M9 - DM96VE1004CNAB
M10 - DM96VE1205DNAA
M11 - DM96VE1205DNAB

SPECIAL PARTS

0161F00039	DAIKIN NAMEPLATE
------------	------------------

Cabinet

Image 1

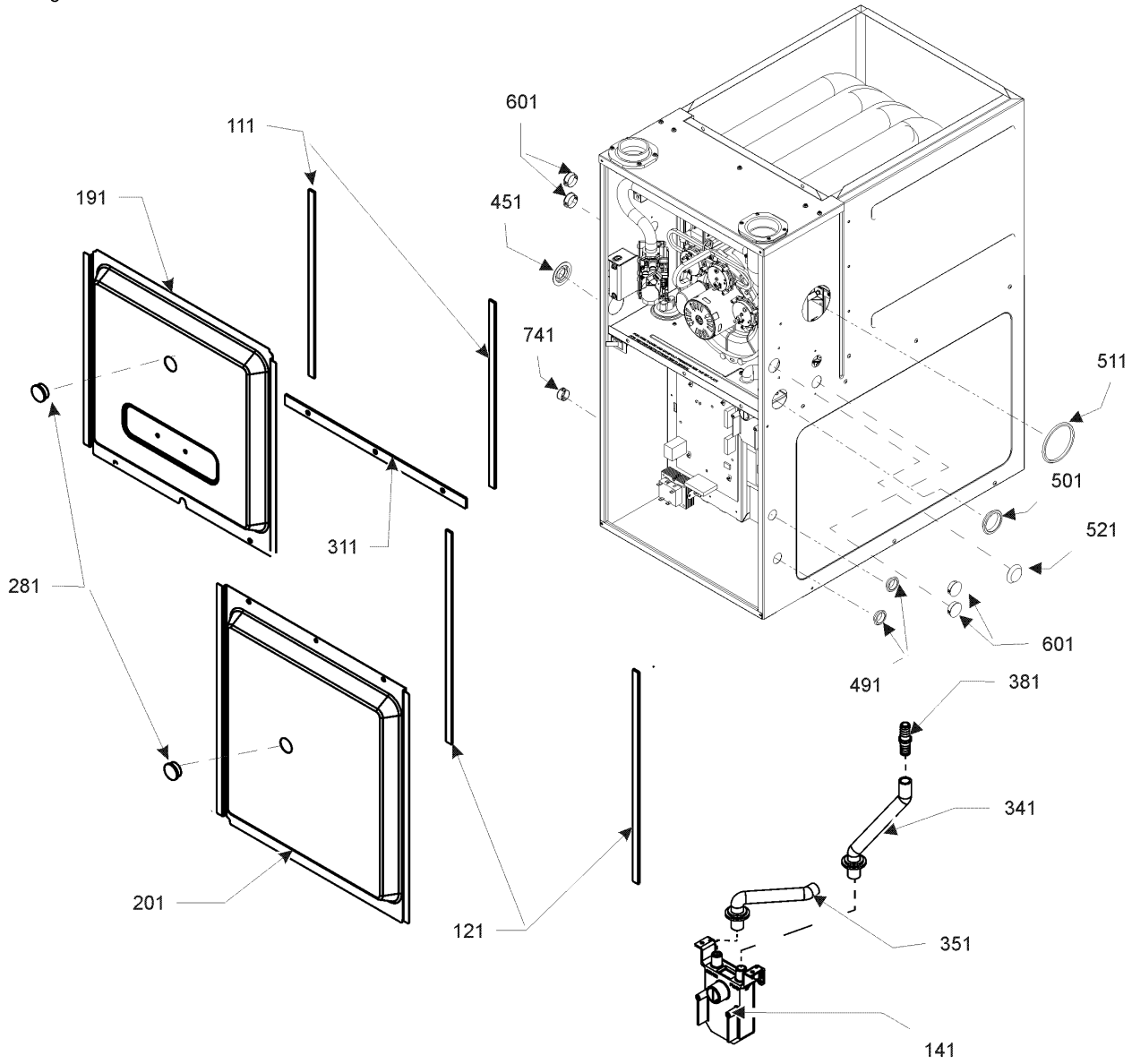
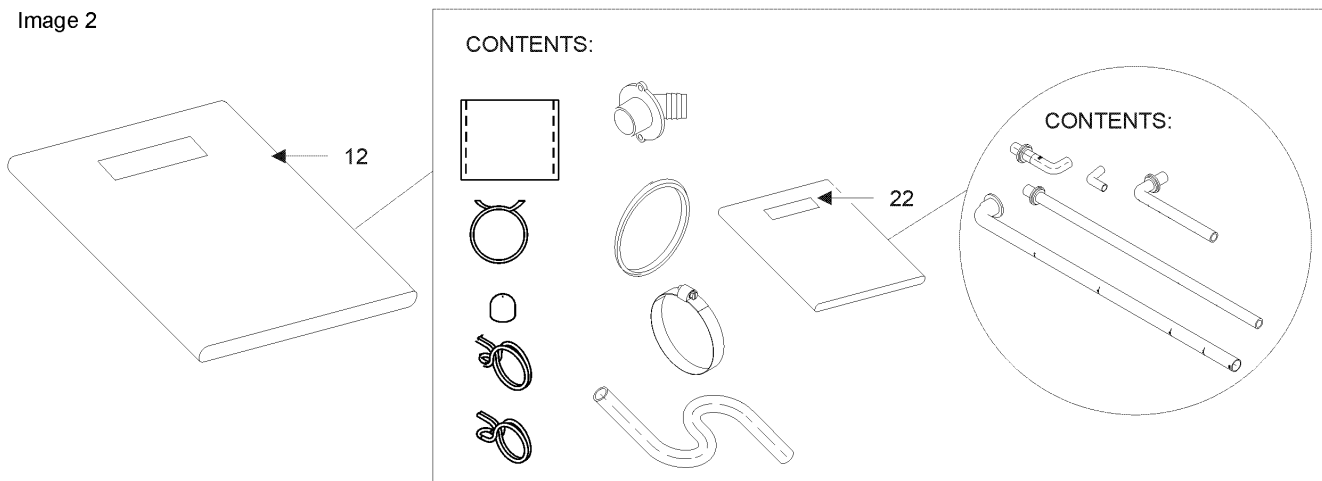


Image 2



Cabinet

Ref. Part No: No:	Description:	Ref. Part No: No:	Description:
Image 1:			
111	0154F00024		GASKET (QTY 2)
121	0154F00025		GASKET (QTY 2)
141	0161F00046		DRAIN TRAP
191	0121F00338NG		DOOR ACCESS 21" PNT (M8, M9)
191	0121F00337NG		DOOR, ACCESS 17.5" PNT (M1, M2, M3, M4, M5, M6, M7)
191	0121F00339NG		DOOR, ACCESS 24.5" PNT (M10, M11)
201	0121F00340NG		DOOR, BLOWER 17.5" PNT (M1, M2, M3, M4, M5, M6, M7)
201	0121F00341NG		DOOR, BLOWER 21" PNT (M8, M9)
201	0121F00342NG		DOOR, BLOWER 24.5" PNT (M10, M11)
281	B1392139		VIEW PORT BUSHING-BLOWER DOOR (QTY 2)
311	0154F00020		DECK GASKET (M1, M2, M3, M4, M5, M6, M7)
311	0154F00021		DECK GASKET (M8, M9)
311	0154F00022		DECK GASKET (M10, M11)
341	0164F00017		ELBOW/TRAP HOSE
351	0164F00006		COVER/TRAP HOSE
381	0161F00047		BARDED HOSE COUPLING
451	M0501301		PIPE GROMMET
491	M0570808		BUTTON PLUG (QTY 3)
501	M0570806		BUTTON PLUG
511	M0570807		BUTTON PLUG
521	0161M00027		HOLE PLUG
601	B1392021		PLASTIC PLUG, 1" (2713-BLK) (QTY 4)
741	B1392104		UNIVERSAL BUSHING UB 875
NS	M0310345		BUTTON PLUG (QTY 2)
NS	0161F00039		DAIKIN NAMEPLATE
NS	M0209730		DECORATIVE SCREW (QTY 3)
NS	0163M00049		HOSE CLAMP (QTY 2)

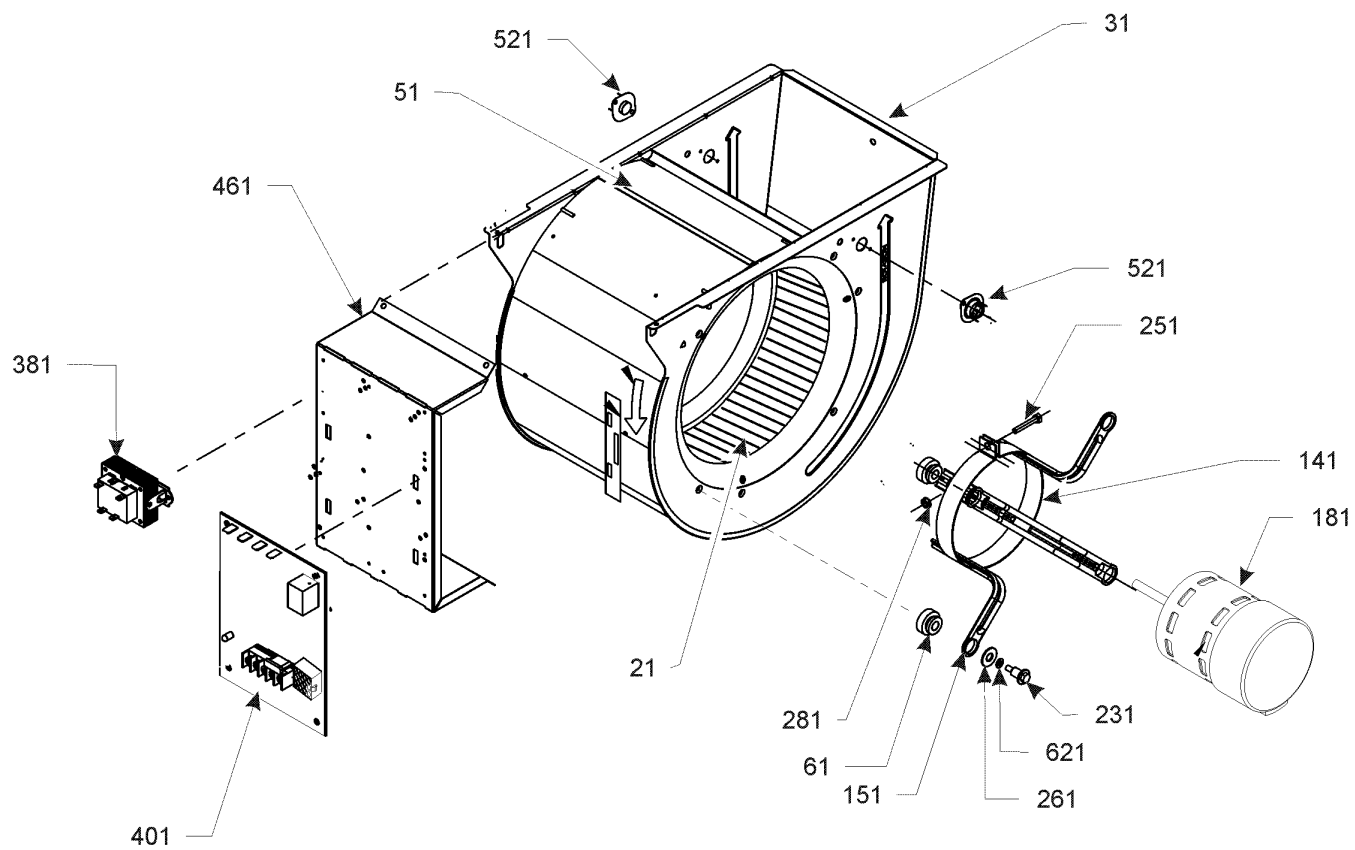
Image 2:

12	0270F03140	DRAIN PART BAG ASSY UF
22	0270F03138	BAG ASSY UF

Expanded Model Nomenclature

- | |
|----------------------|
| M1 - DM96VE0302BNAB |
| M2 - DM96VE0402BNAA |
| M3 - DM96VE0402BNAB |
| M4 - DM96VE0603BNAA |
| M5 - DM96VE0603BNAB |
| M6 - DM96VE0803BNAA |
| M7 - DM96VE0803BNAB |
| M8 - DM96VE1004CNAA |
| M9 - DM96VE1004CNAB |
| M10 - DM96VE1205DNAA |
| M11 - DM96VE1205DNAB |

Blower Assembly



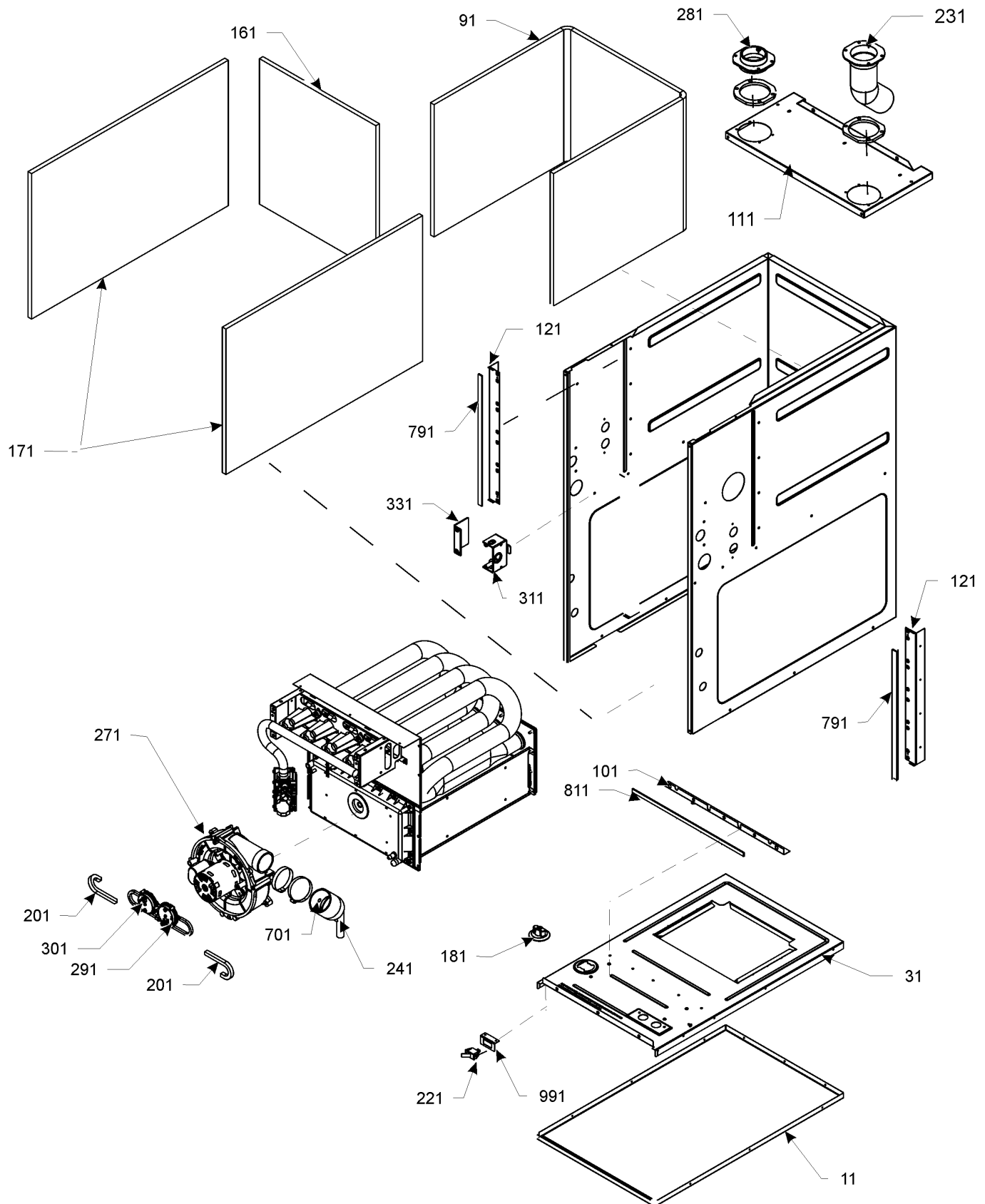
Blower Assembly

Ref. Part No:	No:	Description:	Ref. Part No:	No:	Description:
Image 1:					
21	0150M00043	WHEEL, BLOWER (10 X 8) (M1, M2, M3)			
31	0271F00181	BLOWER HSG ASSY (M1, M2, M3)			
31	0271F00159	BLOWER SHELL & WHEEL ASSY (M4, M5, M6, M7)			
31	0271F00161	BLOWER SHELL & WHEEL ASSY (M8, M9)			
31	0271F00163	BLOWER SHELL & WHEEL ASSY (M10, M11)			
51	764740	BLOWER BLOCK-OFF 10 X 8 (M1, M2, M3)			
61	A4002702	BLOWER MOTOR GROMMET (M8, M9, M10, M11)			
141	0121M00038	MOTOR MOUNT BAND (M1, M2, M3, M4, M5, M6, M7)			
141	10441601	MOTOR MOUNT BAND (M8, M9, M10, M11)			
151	10441501	MOTOR MOUNT ARM (M8, M9, M10, M11)			
151	B1376857	MOTOR MOUNT ARM (M1, M2, M3, M4, M5, M6, M7)			
181	0131F00032	MOTOR, BLOWER (M1)			
181	0131F00033	MOTOR, BLOWER (M2, M3)			
181	0131F00034	MOTOR, BLOWER (M4, M5)			
181	0131F00035	MOTOR, BLOWER (M6, M7)			
181	0131F00036	MOTOR, BLOWER (M8, M9)			
181	0131F00037	MOTOR, BLOWER (M10, M11)			
231	M0221461	TC SCREW (M8, M9, M10, M11)			
231	M0250565	TC SCREW 1.25" (M1, M2, M3, M4, M5, M6, M7)			
251	M0267144	MACHINE SCREW (M8, M9, M10, M11)			
251	B1393323	MACHINE SCREW HWH 1/4-20 X 1-1/2 BZ (M1, M2, M3, M4, M5, M6, M7)			
261	M0274008	FLAT WASHER (M8, M9, M10, M11)			
261	B1392918	WASHER, FLAT 1/4 ID X 1 OD (M1, M2, M3, M4, M5, M6, M7)			
281	M0282015	KEPS NUT (M8, M9, M10, M11)			
381	0130M00140	TRANSFORMER 120V TO 24V, 40VA			
401	PCBBF137	PCB IGNITION HSI INTEG (M1, M3, M5, M7, M9, M11)			
401	PCBBF133	PCB, IGNITION, HSI, INTEG. (M2, M4, M6, M8, M10)			
461	0121F00464	CONTROL MOUNTING PLATE			
521	0130F00038	AUX LIMIT - LT BLUE 120° (QTY 2)			
621	B1392820	SLIT LOCK WASHER (M8, M9, M10, M11)			
NS	B1392021	1" PLASTIC PLUG (QTY 4)			
NS	0259F00024	HARNESS - BLOWER			

Expanded Model Nomenclature

M1 - DM96VE0302BNAB
M2 - DM96VE0402BNAA
M3 - DM96VE0402BNAB
M4 - DM96VE0603BNAA
M5 - DM96VE0603BNAB
M6 - DM96VE0803BNAA
M7 - DM96VE0803BNAB
M8 - DM96VE1004CNAA
M9 - DM96VE1004CNAB
M10 - DM96VE1205DNAA
M11 - DM96VE1205DNAB

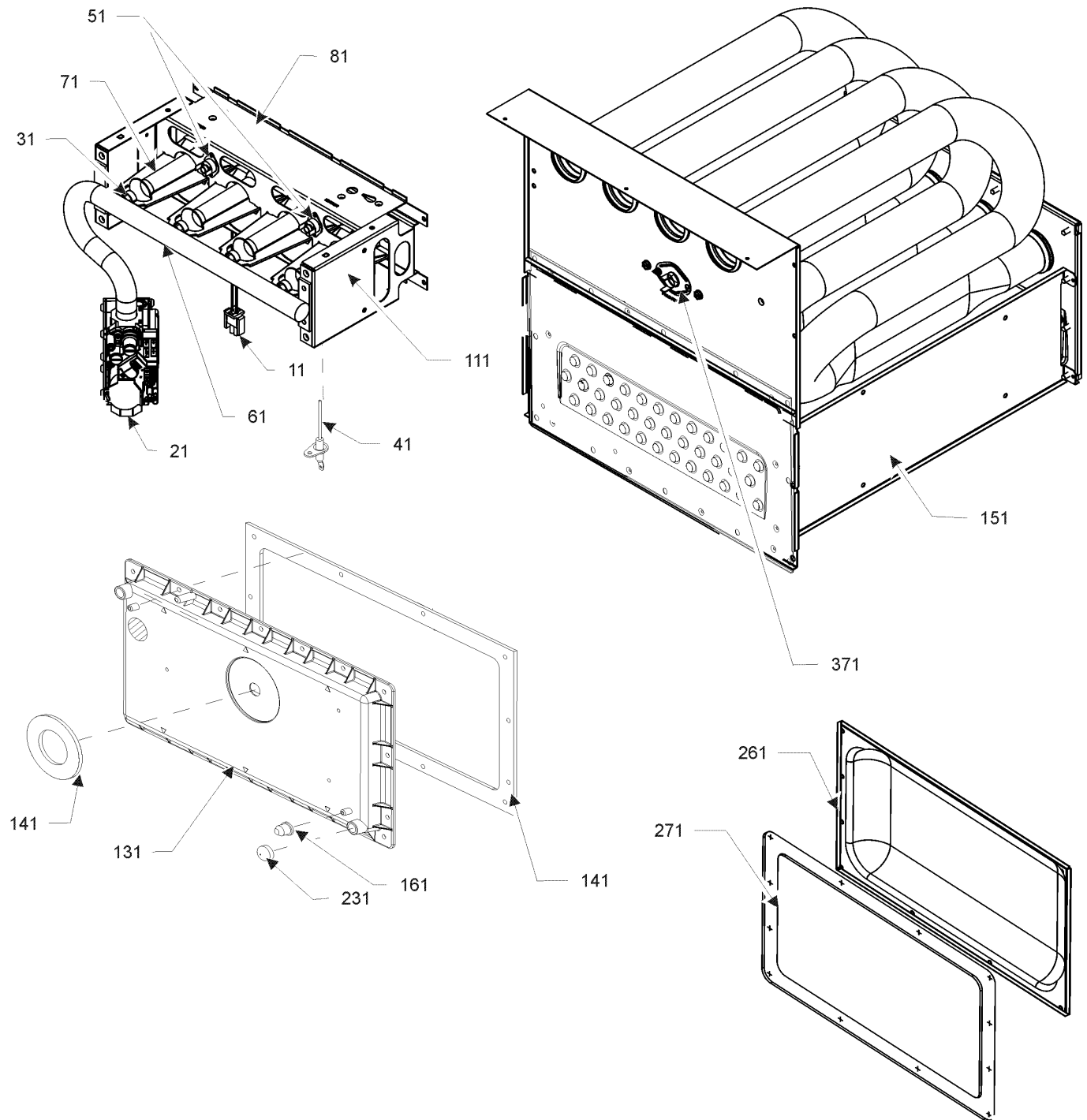
Chassis



Chassis

Ref. Part No: No:	Description:	Ref. Part No: No:	Description:
Image 1:		Expanded Model Nomenclature	
11	0121F00386DG BASEPAN, UPFLOW PNT (M1, M2, M3, M4, M5, M6, M7)	M1	DM96VE0302BNAB
11	0121F00387DG BASEPAN, UPFLOW PNT (M8, M9)	M2	DM96VE0402BNAA
11	0121F00388DG BASEPAN, UPFLOW PNT (M10, M11)	M3	DM96VE0402BNAB
31	0121F00285 DECK, BLOWER 17.5 (M1, M2, M3, M4, M5, M6, M7)	M4	DM96VE0603BNAA
31	0121F00286 DECK, BLOWER 21 (M8, M9)	M5	DM96VE0603BNAB
31	0121F00287 DECK, BLOWER 24.5 (M10, M11)	M6	DM96VE0803BNAA
91	0160F00015 INSULATION, HT EXCHANGER 17.5" (M1, M2, M3, M4, M5, M6, M7)	M7	DM96VE0803BNAB
91	0160F00016 INSULATION, HT EXCHANGER 21" (M8, M9)	M8	DM96VE1004CNAA
91	0160F00017 INSULATION, HT EXCHANGER 24.5" (M10, M11)	M9	DM96VE1004CNAB
101	0121F00314 ANGLE, DECK (M1, M2, M3, M4, M5, M6, M7)	M10	DM96VE1205DNAA
101	0121F00315 ANGLE, DECK (M8, M9)	M11	DM96VE1205DNAB
101	0121F00316 ANGLE, DECK (M10, M11)		
111	0121F00279DG PAINTED TOP, FURNACE 17.5 (M1, M2, M3, M4, M5, M6, M7)		
111	0121F00280DG PAINTED TOP, FURNACE 21 (M8, M9)		
111	0121F00281DG PAINTED TOP, FURNACE 24.5 (M10, M11)		
121	0121F00313 SIDE ANGLE (QTY 2)		
161	0160F00012 INSULATION-BACK 17.5" (M1, M2, M3, M4, M5, M6, M7)		
161	0160F00013 INSULATION-BACK 21" (M8, M9)		
161	0160F00014 INSULATION-BACK 24.5" (M10, M11)		
171	0160F00018 INSULATION, SIDE (QTY 2)		
181	0159F00034 HARNESS, WIRING		
181	0159F00035 HARNESS, WIRING		
181	0159F00037 HARNESS, WIRING		
201	0164M00019 PRESSURE SW HOSE 6" (QTY 2)		
221	0130M00243 INTERLOCK SWITCH		
231	0164F00002 FLUE PIPE W/BEND		
241	0164F00001 ELBOW-FLUE, UPFLOW		
271	0171M00002 MOTOR-ID, BLOWER		
281	0161F00037 COUPLING		
291	0130F00481 PRESSURE SWITCH (-.1 (COL BOX)) (M4, M5, M6, M7, M8, M9, M10, M11)		
291	0130F00486 PRESSURE SWITCH (-.1 (COL BOX)) (M1, M2, M3)		
301	0130F00472 PRESSURE SWITCH (-.67 / -1.15) (M1, M8, M9)		
301	0130F00471 PRESSURE SWITCH (-.72 / -.97) (M2, M3)		
301	0130F00474 PRESSURE SWITCH (-.72 / -1.47) (M6, M7)		
301	0130F00446 PRESSURE SWITCH (-.76 / -1.25) (M10, M11)		
301	0130F00473 PRESSURE SWITCH (-.92 / -1.47) (M4, M5)		
311	0161F00042 JUNCTION BOX		
331	0161F00043 JUNCTION BOX LID		
701	M0326804 TUBE PLUG		
791	0154F00015 GASKET (QTY 2)		
811	0154F00014 GASKET (M1, M2, M3, M4, M5, M6, M7)		
811	0154F00016 GASKET (M8, M9)		
811	20194607 GASKET (M10, M11)		
991	0121F00389 BRACKET, DOOR SWITCH		

Heat Exchanger / Manifold / Gas Valve



Heat Exchanger / Manifold / Gas Valve

Ref. Part No:	Description:	Ref. Part No:	Description:
Image 1:		Expanded Model Nomenclature	
11	0130F00008 SINI IGNITOR	M1	DM96VE0302BNAB
21	0151M00027 GAS VALVE	M2	DM96VE0402BNAA
31	0163F00004 ORIFICE (M2, M3, M4, M5, M6, M7, M8, M9, M10, M11)	M3	DM96VE0402BNAB
31	0163F00019 ORIFICE (M1)	M4	DM96VE0603BNAA
41	0130F00010 FLAME SENSOR	M5	DM96VE0603BNAB
51	0130F00123 MANUAL RESET R.O.S. LIMIT (M6, M7)	M6	DM96VE0803BNAA
51	10123527 MANUAL RESET R.O.S. LIMIT (M10, M11)	M7	DM96VE0803BNAB
51	10123533 MANUAL RESET R.O.S. LIMIT (M1)	M8	DM96VE1004CNAA
51	10123534 MANUAL RESET R.O.S. LIMIT (M8, M9)	M9	DM96VE1004CNAB
51	10123539 MANUAL RESET R.O.S. LIMIT (M2, M3, M4, M5)	M10	DM96VE1205DNAA
61	0163F00007 MANIFOLD (M1, M2, M3)	M11	DM96VE1205DNAB
61	0163F00008 MANIFOLD (M4, M5)		
61	0163F00010 MANIFOLD (M8, M9)		
61	0163F00011 MANIFOLD (M10, M11)		
61	0163F00014 MANIFOLD (M6, M7)		
71	0163F00017 BECKETT BURNER (QTY 2)		
81	0121F00456 BRACKET-BURNER 2 (M1, M2, M3)		
81	0121F00455 BRACKET-BURNER 3 (M4, M5)		
81	0121F00454 BRACKET-BURNER 4 (M6, M7)		
81	0121F00453 BRACKET-BURNER 5 (M8, M9)		
81	0121F00451 BRACKET-BURNER 6 (M10, M11)		
111	0121F00469 ORIFICE BRACKET-BURNER 2 (M1, M2, M3)		
111	0121F00468 ORIFICE BRACKET-BURNER 3 (M4, M5)		
111	0121F00467 ORIFICE BRACKET-BURNER 4 (M6, M7)		
111	0121F00466 ORIFICE BRACKET-BURNER 5 (M8, M9)		
111	0121F00465 ORIFICE BRACKET-BURNER 6 (M10, M11)		
131	0161F00015 FRONT COVER (M2, M3)		
131	0161F00024 FRONT COVER (M6, M7)		
131	0161F00032 FRONT COVER (M1)		
131	0161F00054 FRONT COVER (M4, M5)		
131	0161F00063 FRONT COVER (M10, M11)		
131	0161F00065 FRONT COVER (M8, M9)		
141	0154F00011 FRONT GASKET (M1, M2, M3, M4, M5, M6, M7)		
141	0154F00012 FRONT GASKET (M8, M9)		
141	0154F00013 FRONT GASKET (M10, M11)		
151	0257F00388 HEAT EXCHANGER ASSY (M1)		
151	0257F00391 HEAT EXCHANGER ASSY (M10, M11)		
151	0257F00394 HEAT EXCHANGER ASSY (M8, M9)		
151	0257F00354 HEAT EXCHANGER ASSY. (M6, M7)		
151	0257F00375 HEAT EXCHANGER ASSY. (M4, M5)		
151	0257F00385 HEAT EXCHANGER ASSY. (M2, M3)		
161	M0326804 TUBE PLUG		
231	A1781105 CAP-VINYL .500		
261	0121F00317 REAR COVER (M1, M2, M3, M4, M5, M6, M7)		
261	0121F00318 REAR COVER (M8, M9)		
261	0121F00319 REAR COVER (M10, M11)		
271	0154F00037 REAR COVER GASKET (M1, M2, M3, M4, M5, M6, M7)		
271	0154F00038 REAR COVER GASKET (M8, M9)		
271	0154F00039 REAR COVER GASKET (M10, M11)		
371	20162904 *PRIMARY LIMIT-TEMPERATURE CONTROL (M1, M2, M3, M4, M5, M6, M7) *Refer to SF-054		
371	0130F00036 PRIMARY LIMIT - PINK (M10, M11)		
371	20162906 PRIMARY LIMIT - WHITE (M8, M9)		
NS	0121F00439 PRIMARY LIMIT-HEAT SHIELD		
NS	0121F00355 SHIELD, COIL (QTY 2)		