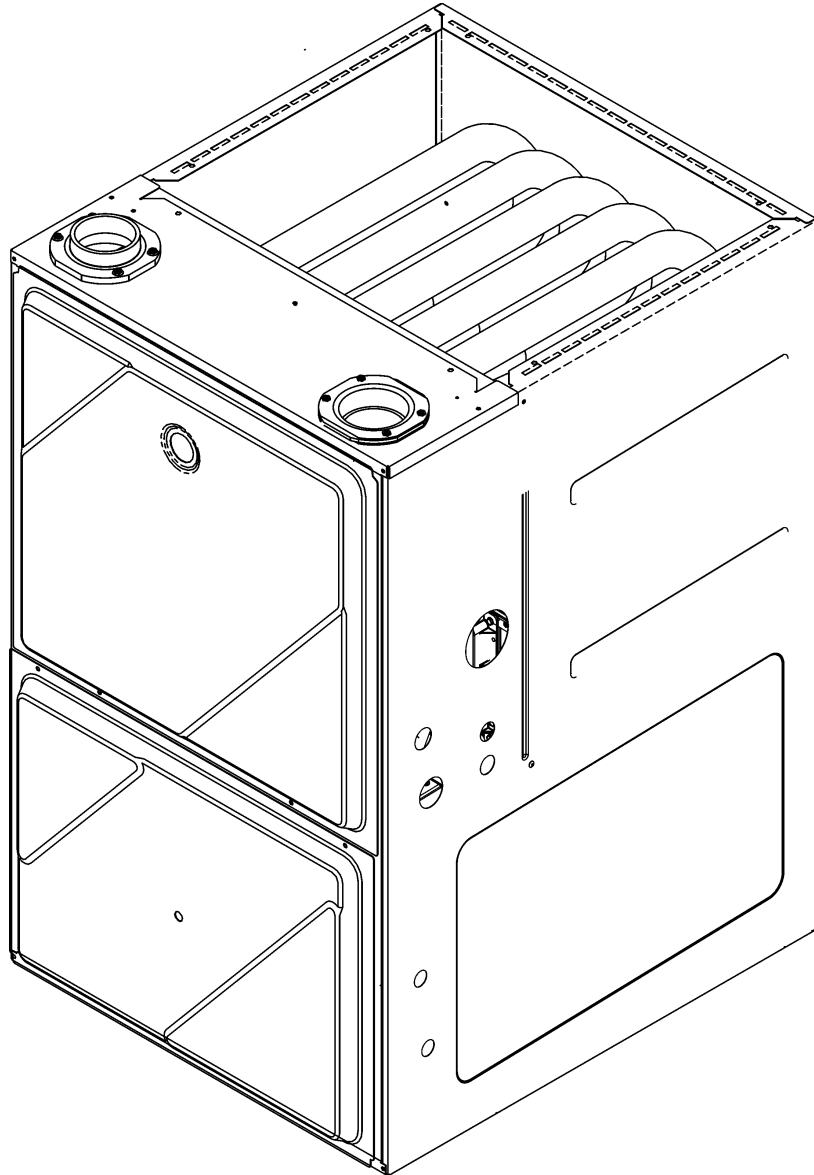


DM96VC 96% ECM Up Flow Furnace (34.5" Cabinet)

DM96VC0403BNAA
DM96VC0603BNAA
DM96VC0803BNAA
DM96VC0804CNAA
DM96VC1005CNAA
DM96VC1205DNAA



This manual is to be used by qualified technicians only.

This manual replaces RP-D2021A.

Important Information

Index

Functional Parts List	3
Illustration and Parts	4 - 11

Views shown are for parts illustrations only, not servicing procedures

Text Codes:

AR - As Required

NA - Not Available

NS - Not Shown

00000000 - See Note

QTY - Quantity Example (QTY 3) (If Quantity not shown, Quantity = 1)

M - Model Example (M1) (If M Code not shown, then part is used on all Models)

Expanded Model Nomenclature:

Example M1 - Model#1 M2 - Model#2 M3 - Model#3

Daikin Company, L.P. is not responsible for personal injury or property damage resulting from improper service. Review all service information before beginning repairs.

Warranty service must be performed by an authorized technician, using authorized factory parts. If service is required after the warranty expires, Daikin Company, L.P. also recommends contacting an authorized technician and using authorized factory parts.

Daikin Company, L.P. reserves the right to discontinue, or change at any time, specifications or designs without notice or without incurring obligations.

For assistance within the U.S.A. contact:

Consumer Affairs Department

Daikin North America, LLC

7401 Security Way

Houston, Texas 77040

855-770-5678-Telephone

713-863-2382-Facsimile

For assistance outside the U.S.A. contact:

International Division

Daikin North America, LLC

7401 Security Way

Houston, Texas 77040

713-861-2500-Telephone

713-863-2382-Facsimile

Functional Parts

Part No: **Description:**

20162904	*PRIMARY LIMIT-TEMPERATURE CONTROL (M1, M2, M3, M4) *Refer to service bulletin SF-054r1
0130F00038	AUX LIMIT - LT BLUE 120° (QTY 2)
0163F00017	BECKETT BURNER (QTY A/R)
0271F00161	BLOWER SHELL & WHEEL ASSY (M4, M5)
0271F00159	BLOWER SHELL & WHEEL ASSY (M2, M3)
0271F00163	BLOWER SHELL & WHEEL ASSY (M6)
0130F00403	DATA, FURNACE PCB (M1)
0130F00404	DATA, FURNACE PCB (M2)
0130F00405	DATA, FURNACE PCB (M3)
0130F00406	DATA, FURNACE PCB (M4)
0130F00407	DATA, FURNACE PCB (M5)
0130F00408	DATA, FURNACE PCB (M6)
0130F00010	FLAME SENSOR
0151M00027	GAS VALVE
0257F00292	HEAT EXCHANGER ASSY. (M6)
0257F00291	HEAT EXCHANGER ASSY. (M5)
0257F00290	HEAT EXCHANGER ASSY. (M4)
0257F00289	HEAT EXCHANGER ASSY. (M3)
0257F00288	HEAT EXCHANGER ASSY. (M2)
0257F00287	HEAT EXCHANGER ASSY. (M1)
0130F00008	IGNITOR-SINI 17 SEC
0130M00141	INDUCTOR, 5.9 AMPS (GMPE100-4) (M4, M5, M6)
0130F00123	MANUAL RESET R.O.S. LIMIT (M3, M4)
10123534	MANUAL RESET R.O.S. LIMIT (M5)
10123539	MANUAL RESET R.O.S. LIMIT (M1, M2)
10123527	MANUAL RESET R.O.S. LIMIT (M6)
0131M00272	MOTOR, 1 HP, SERIAL ECM (M5, M6)
0131M00270	MOTOR, 1/2 HP, SERIAL ECM (M1, M2, M3)
0131M00271	MOTOR, 3/4 HP, SERIAL ECM (M4)
PCBKF104	PCB, CONTROL, FURNACE
0130F00486	PRESSURE SWITCH (-.1 (COL BOX)) (M1)
0130F00481	PRESSURE SWITCH (-.1 (COL BOX)) (M2, M3, M4, M5, M6)
0130F00472	PRESSURE SWITCH (-.67 / -1.15) (M5)
0130F00471	PRESSURE SWITCH (-.72 / -.97) (M1)
0130F00474	PRESSURE SWITCH (-.72 / -1.47) (M3, M4)
0130F00444	PRESSURE SWITCH (-.76 / -1.25) (M6)
0130F00473	PRESSURE SWITCH (-.92 / -1.47) (M2)
0130F00036	PRIMARY LIMIT - PINK 180° (M6)
20162906	PRIMARY LIMIT - WHITE (M5)
0130M00140	TRANSFORMER 120V TO 24V, 40VA
0150M00043	WHEEL, BLOWER (10 X 8) (M1)

Expanded Model Nomenclature

M1 - DM96VC0403BNAA
M2 - DM96VC0603BNAA
M3 - DM96VC0803BNAA
M4 - DM96VC0804CNAA
M5 - DM96VC1005CNAA
M6 - DM96VC1205DNAA

SPECIAL PARTS

0161F00039	NAMEPLATE, DAIKIN
------------	-------------------

Cabinet

Image 1

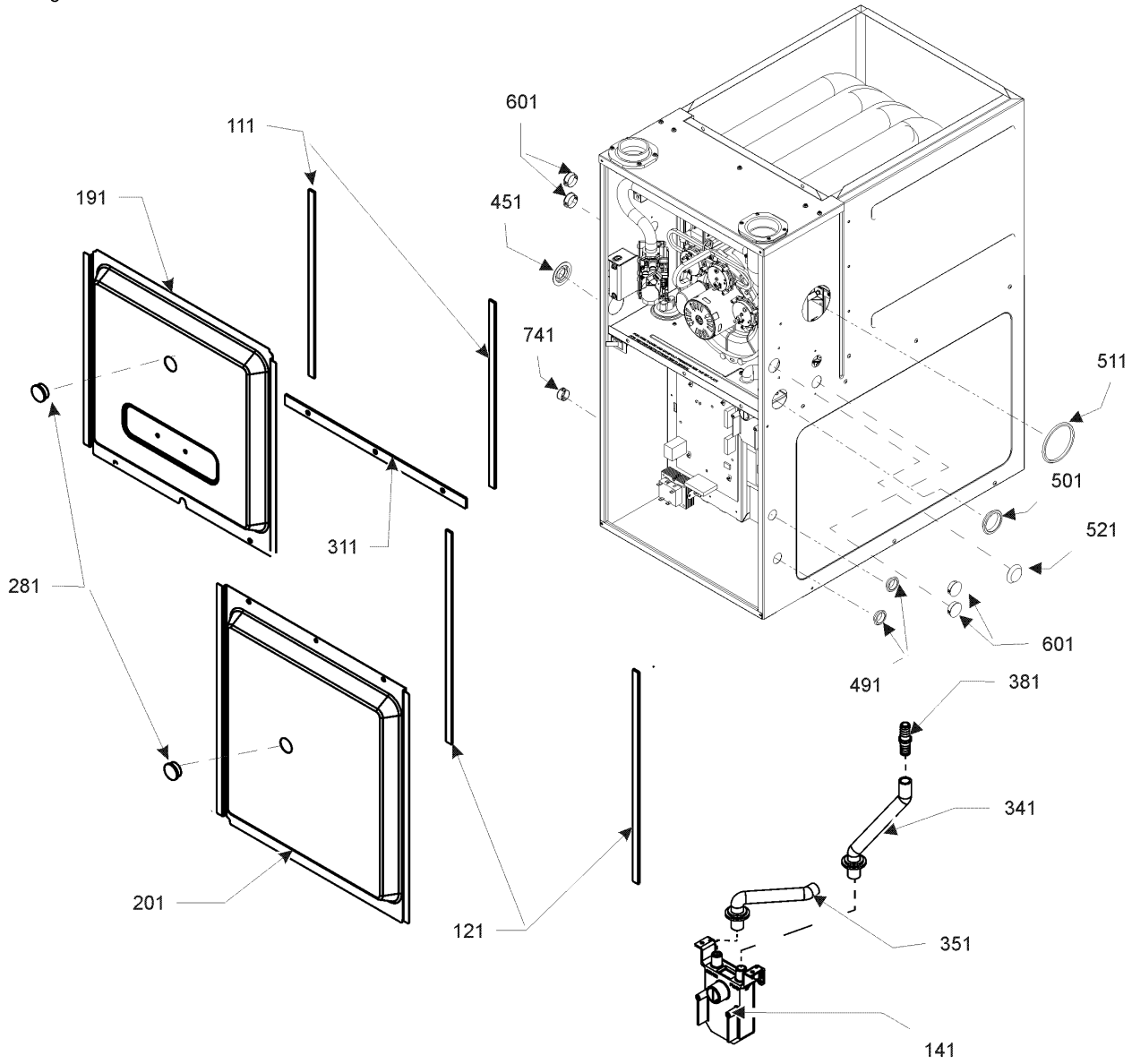
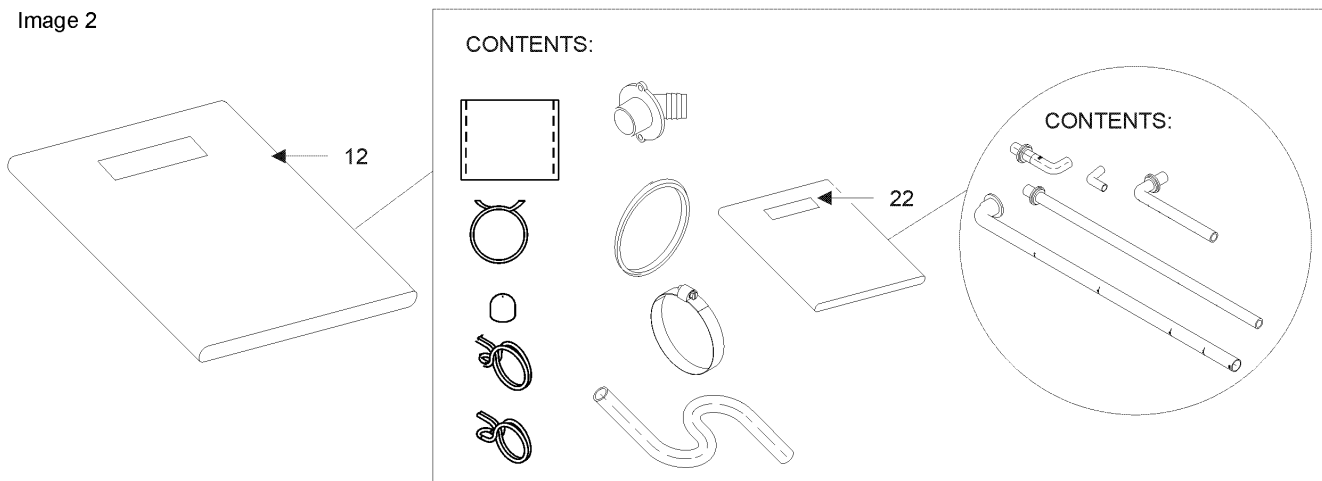


Image 2



Cabinet

Ref. Part No: No:	Description:	Ref. Part No: No:	Description:
-------------------	--------------	-------------------	--------------

Image 1:

111	0154F00024	GASKET (QTY 2)
121	0154F00025	GASKET (QTY 2)
141	0161F00046	DRAIN TRAP
191	0121F00337NG	DOOR, ACCESS 17.5" PNT (M1, M2, M3)
191	0121F00338NG	DOOR, ACCESS 21" PNT (M4, M5)
191	0121F00339NG	DOOR, ACCESS 24.5" PNT (M6)
201	0121F00340NG	DOOR, BLOWER 17.5" PNT (M1, M2, M3)
201	0121F00341NG	DOOR, BLOWER 21" PNT (M4, M5)
201	0121F00342NG	DOOR, BLOWER 24.5" PNT (M6)
281	B1392139	VIEW PORT BUSHING-BLOWER DOOR (QTY 2)
311	0154F00020	GASKET, DECK (M1, M2, M3)
311	0154F00021	GASKET, DECK (M4, M5)
311	0154F00022	GASKET, DECK (M6)
341	0164F00017	HOSE-ELBOW/TRAP
351	0164F00006	HOSE, COVER/TRAP
381	0161F00047	COUPLING, HOSE BARBED
451	M0501301	PIPE GROMMET
491	M0570808	BUTTON PLUG (QTY 3)
501	M0570806	BUTTON PLUG
511	M0570807	BUTTON PLUG
521	0161M00027	PLUG, HOLE
601	B1392021	PLASTIC PLUG, 1" (2713-BLK) (QTY 4)
741	B1392104	UNIVERSAL BUSHING UB 875
NS	M0310345	BUTTON PLUG (QTY 2)
NS	0163M00049	HOSE CLAMP (QTY 2)
NS	0161F00039	NAMEPLATE, DAIKIN
NS	M0209730	SCREW-DECORATIVE (QTY 3)

Image 2:

12	0270F03140	DRAIN PART BAG ASSY UF
22	0270F03138	BAG ASSY UF

Expanded Model Nomenclature

M1 - DM96VC0403BNAA
M2 - DM96VC0603BNAA
M3 - DM96VC0803BNAA
M4 - DM96VC0804CNAA
M5 - DM96VC1005CNAA
M6 - DM96VC1205DNAA

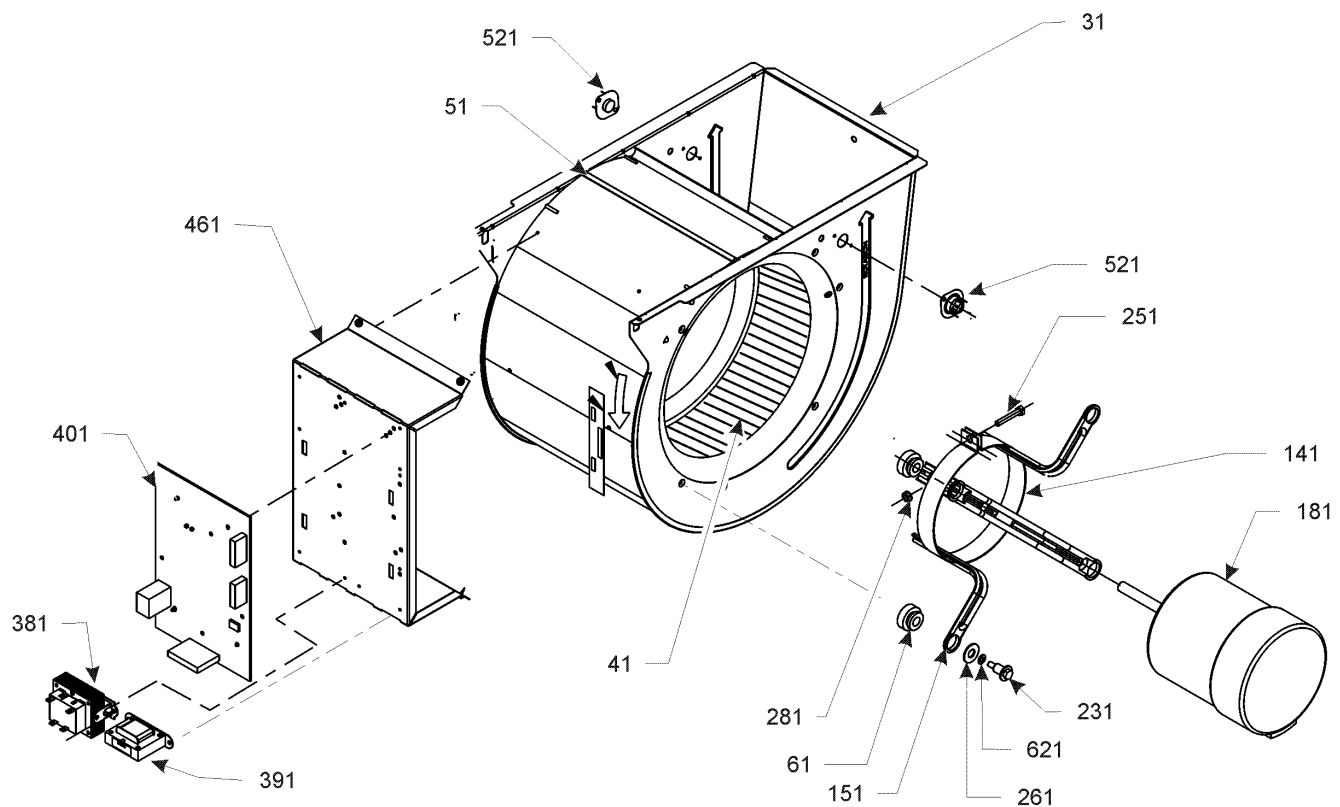
Blower Assembly

*If end bells are needed please order the following:

0131M00182 - 1/2 HP

0131M00183 - 3/4 HP

0131M00184 - 1 HP



Blower Assembly

Ref. Part No: No:	Description:	Ref. Part No: No:	Description:
Image 1:			
31	0271F00181		BLOWER HSG ASSY (M1)
31	0271F00159		BLOWER SHELL & WHEEL ASSY (M2, M3)
31	0271F00161		BLOWER SHELL & WHEEL ASSY (M4, M5)
31	0271F00163		BLOWER SHELL & WHEEL ASSY (M6)
41	0150M00043		WHEEL, BLOWER (10 X 8) (M1)
51	764740		BLOWER BLOCK-OFF 10 X 8 (M1)
61	A4002702		BLOWER MOTOR GROMMET (M4, M5, M6)
141	0121M00038		MOTOR MOUNT BAND (M1, M2, M3)
141	10441601		MOTOR MOUNT BAND (M4, M5, M6)
151	10441501		MOTOR MOUNT ARM (M4, M5, M6)
151	B1376857		MOTOR MOUNT ARM (M1, M2, M3)
181	0131M00272		MOTOR, 1 HP, SERIAL ECM (M5, M6)
181	0131M00270		MOTOR, 1/2 HP, SERIAL ECM (M1, M2, M3)
181	0131M00271		MOTOR, 3/4 HP, SERIAL ECM (M4)
231	M0221461		TC SCREW (M4, M5, M6)
231	M0250565		TC SCREW 1.25" (M1, M2, M3)
251	M0267144		MACHINE SCREW (M4, M5, M6)
251	B1393323		MACHINE SCREW HWH 1/4-20 X 1-1/2 BZ (M1, M2, M3)
261	B1392918		WASHER, FLAT 1/4 ID X 1 OD (M1, M2, M3)
261	M0274008		WASHER-FLAT (M4, M5, M6)
281	M0282015		KEPS NUT (M4, M5, M6)
281	B1393800		LOCKNUT, NYLON, INSERT 1/4, 20 (M1, M2, M3)
381	0130M00140		TRANSFORMER 120V TO 24V, 40VA
391	0130M00141		INDUCTOR, 5.9 AMPS (GMPE100-4) (M4, M5, M6)
401	PCBKF104		PCB, CONTROL, FURNACE
461	0121F00464		MOUNTING PLATE-CONTROLS
521	0130F00038		AUX LIMIT - LT BLUE 120° (QTY 2)
621	B1392820		WASHER, SPLIT LOCK 1/4 BZ (M4, M5, M6)
NS	0259F00040		CONTROL HARNESS
NS	0130F00403		DATA, FURNACE PCB (M1)
NS	0130F00404		DATA, FURNACE PCB (M2)
NS	0130F00405		DATA, FURNACE PCB (M3)
NS	0130F00406		DATA, FURNACE PCB (M4)
NS	0130F00407		DATA, FURNACE PCB (M5)
NS	0130F00408		DATA, FURNACE PCB (M6)
NS	B1392021		PLASTIC PLUG, 1" (2713-BLK) (QTY 4)
NS	0259F00041		POWER HARNESS HIGH VOLTAGE
NS	0259F00024		WIRE HARNESS-BLOWER

Expanded Model Nomenclature

M1 - DM96VC0403BNAA
M2 - DM96VC0603BNAA
M3 - DM96VC0803BNAA
M4 - DM96VC0804CNAA
M5 - DM96VC1005CNAA
M6 - DM96VC1205DNAA

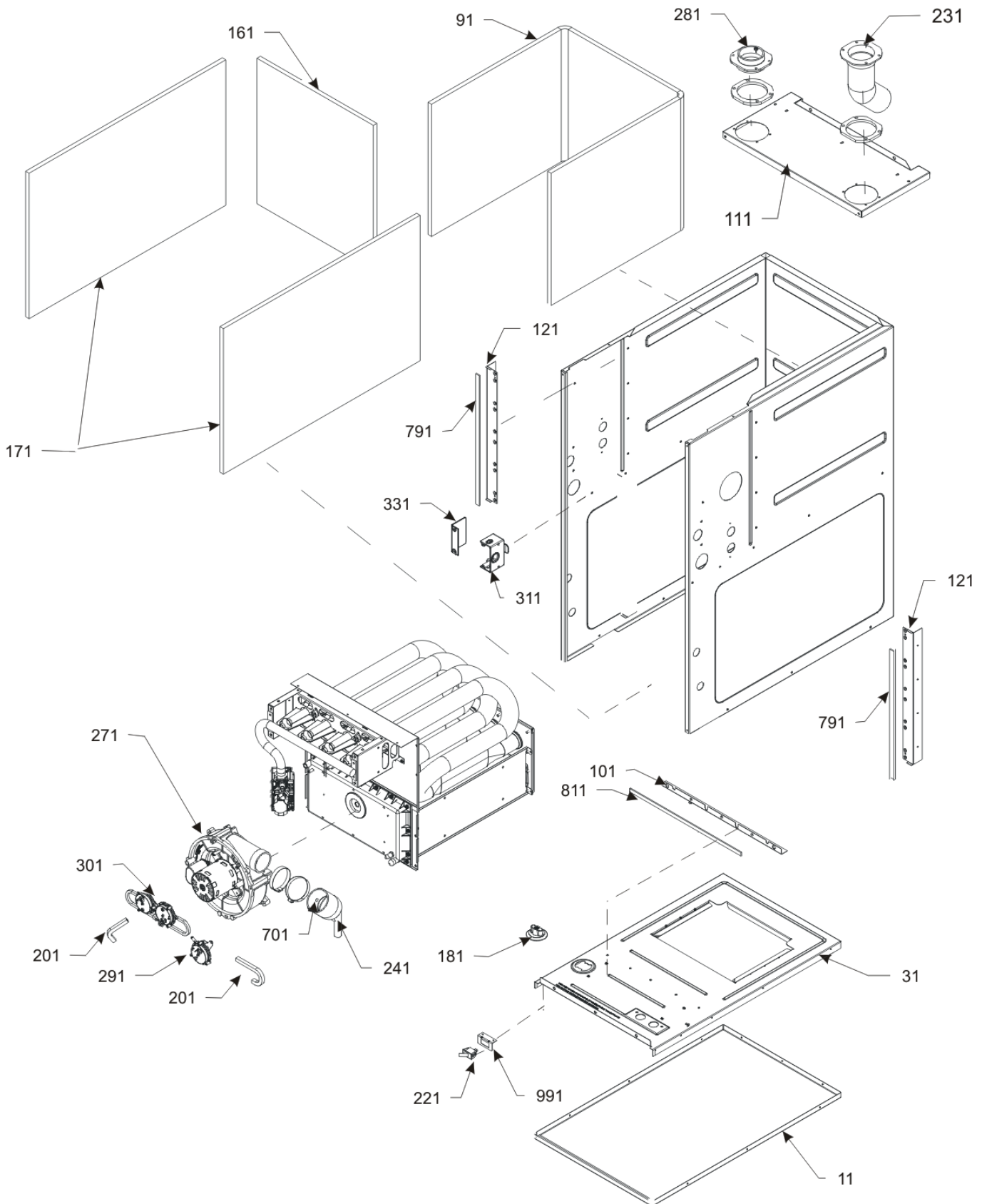
*If end bells are needed please order the following:

0131M00182 - 1/2 HP

0131M00183 - 3/4 HP

0131M00184 - 1 HP

Chassis



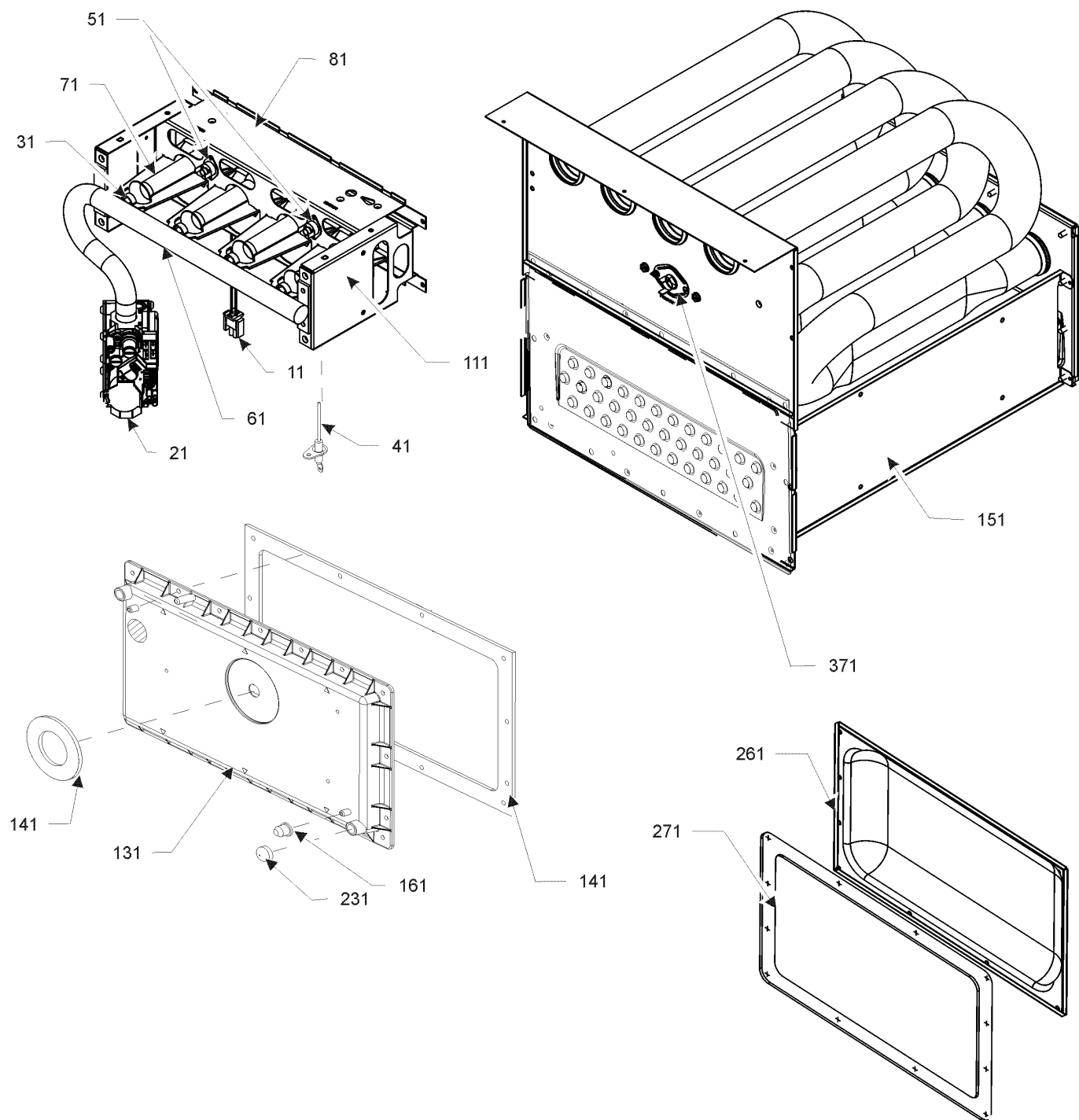
Chassis

Ref. Part No:	No:	Description:	Ref. Part No:	No:	Description:
Image 1:					
11	0121F00386DG	BASEPAN, UPFLOW (M1, M2, M3)			
11	0121F00387DG	BASEPAN, UPFLOW (M4, M5)			
11	0121F00388DG	BASEPAN, UPFLOW (M6)			
31	0121F00285	DECK, BLOWER 17.5 (M1, M2, M3)			
31	0121F00286	DECK, BLOWER 21 (M4, M5)			
31	0121F00287	DECK, BLOWER 24.5 (M6)			
91	0160F00015	INSULATION, HT EXCHANGER 17.5" (M1, M2, M3)			
91	0160F00016	INSULATION, HT EXCHANGER 21" (M4, M5)			
91	0160F00017	INSULATION, HT EXCHANGER 24.5" (M6)			
101	0121F00314	ANGLE, DECK (M1, M2, M3)			
101	0121F00315	ANGLE, DECK (M4, M5)			
101	0121F00316	ANGLE, DECK (M6)			
111	0121F00279DG	PAINTED TOP, FURNACE 17.5 (M1, M2, M3)			
111	0121F00280DG	PAINTED TOP, FURNACE 21 (M4, M5)			
111	0121F00281DG	PAINTED TOP, FURNACE 24.5 (M6)			
121	0121F00313	ANGLE, SIDE (QTY 2)			
161	0160F00012	INSULATION-BACK 17.5" (M1, M2, M3)			
161	0160F00013	INSULATION-BACK 21" (M4, M5)			
161	0160F00014	INSULATION-BACK 24.5" (M6)			
171	0160F00018	INSULATION, SIDE (QTY 2)			
181	0159F00052	HARNESS-WIRING (M4, M5, M6)			
181	0159F00053	HARNESS-WIRING (M1, M2, M3)			
201	0164M00019	HOSE-PRESSURE SW 6" (QTY 2)			
221	0130M00243	INTERLOCK SWITCH			
231	0164F00002	FLUE PIPE W/BEND			
241	0164F00001	ELBOW-FLUE, UPFLOW			
271	0171M00002	MOTOR-ID, BLOWER			
281	0161F00037	COUPLING			
291	0130F00481	PRESSURE SWITCH (-.1 (COL BOX)) (M2, M3, M4, M5, M6)			
291	0130F00486	PRESSURE SWITCH (-.1 (COL BOX)) (M1)			
301	0130F00472	PRESSURE SWITCH (-.67 / -1.15) (M5)			
301	0130F00471	PRESSURE SWITCH (-.72 / -.97) (M1)			
301	0130F00474	PRESSURE SWITCH (-.72 / -1.47) (M3, M4)			
301	0130F00444	PRESSURE SWITCH (-.76 / -1.25) (M6)			
301	0130F00473	PRESSURE SWITCH (-.92 / -1.47) (M2)			
311	0161F00042	JUNCTION BOX PLA			
331	0161F00043	JUNCTION BOX LID			
701	M0326804	PLUG-TUBE			
791	0154F00015	GASKET (QTY 2)			
811	0154F00014	GASKET (M1, M2, M3, M5)			
811	0154F00016	GASKET (M4)			
811	20194607	GASKET (M6)			
991	0121F00389	BRACKET, DOOR SWITCH			

Expanded Model Nomenclature

M1 - DM96VC0403BNAA
M2 - DM96VC0603BNAA
M3 - DM96VC0803BNAA
M4 - DM96VC0804CNAA
M5 - DM96VC1005CNAA
M6 - DM96VC1205DNAA

Heat Exchanger / Manifold / Gas Valve



Heat Exchanger / Manifold / Gas Valve

Ref. Part No: No:	Description:	Ref. Part No: No:	Description:
Image 1:		Expanded Model Nomenclature	
11	0130F00008	M1 - DM96VC0403BNAA	
21	0151M00027	M2 - DM96VC0603BNAA	
31	0163F00004	M3 - DM96VC0803BNAA	
41	0130F00010	M4 - DM96VC0804CNAA	
51	0130F00123	M5 - DM96VC1005CNAA	
51	10123527	M6 - DM96VC1205DNAA	
51	10123534		
51	10123539		
61	0163F00007		
61	0163F00008		
61	0163F00009		
61	0163F00010		
61	0163F00011		
61	0163F00014		
71	0163F00017		
81	0121F00456		
81	0121F00455		
81	0121F00454		
81	0121F00453		
81	0121F00451		
111	0121F00469		
111	0121F00468		
111	0121F00467		
111	0121F00466		
111	0121F00465		
131	0161F00022		
131	0161F00026		
131	0161F00030		
131	0161F00053		
131	0161F00055		
131	0161F00063		
141	0154F00011		
141	0154F00012		
141	0154F00013		
151	0257F00287		
151	0257F00288		
151	0257F00289		
151	0257F00290		
151	0257F00291		
151	0257F00292		
161	M0326804		
231	A1781105		
261	0121F00317		
261	0121F00318		
261	0121F00319		
271	0154F00008		
271	0154F00009		
271	0154F00010		
371	20162904	*PRIMARY LIMIT-TEMPERATURE CONTROL (M1, M2, M3, M4)	
		* Refer to service bulletin SF-054r1	
371	0130F00036	PRIMARY LIMIT - PINK 180° (M6)	
371	20162906	PRIMARY LIMIT - WHITE (M5)	