
DM96VC 96% ECM Up Flow Furnace

DM96VC0403BNAB
DM96VC0603BNAB
DM96VC0603BNAC
DM96VC0803BNAB
DM96VC0804CNAB
DM96VC1005CNAB
DM96VC1005DNAA
DM96VC1005DNAC
DM96VC1205DNAC



This manual is to be used by qualified technicians only.

This manual replaces RP-D2312B.

© 2017-2018, 2021, 2023 **DAIKIN COMFORT TECHNOLOGIES MANUFACTURING, L.P.** ♦ 19001 Kermier Rd. ♦ Waller, TX 77484

Important Information

Index

Functional Parts List	3
Illustration and Parts	4 - 11

Views shown are for parts illustrations only, not servicing procedures.

Text Codes:

AR - As Required

NA - Not Available

NS - Not Shown

00000000 - See Note

QTY - Quantity Example (QTY 3) (If Quantity not shown, Quantity = 1)

M - Model Example (M1) (If M Code not shown, then part is used on all Models)

Expanded Model Nomenclature:

Example
M1 - Model#1
M2 - Model#2
M3 - Model#3

Daikin Comfort Technologies Manufacturing , L.P. is not responsible for personal injury or property damage resulting from improper service. Review all service information before beginning repairs.

Warranty service must be performed by an authorized technician, using authorized factory parts. If service is required after the warranty expires, Daikin Comfort Technologies Manufacturing , L.P. also recommends contacting an authorized technician and using authorized factory parts.

Daikin Comfort Technologies Manufacturing , L.P. reserves the right to discontinue, or change at any time, specifications or designs without notice or without incurring obligations.

For assistance within the U.S.A. contact:
Homeowner Support
Daikin Comfort Technologies Manufacturing , L.P.
19001 Kermier Road
Waller, Texas 77484
855-770-5678-Telephone
713-863-2382-Facsimile

For assistance outside the U.S.A. contact:
International Division
Daikin Comfort Technologies Manufacturing , L.P.
19001 Kermier Road
Waller, Texas 77484
713-861-2500-Telephone
713-863-2382-Facsimile

Functional Parts

Part No: **Description:**

20162904	*PRIMARY LIMIT-TEMPERATURE CONTROL (M1, M4, M5)
0130F00038	AUX LIMIT - LT BLUE 120° (QTY 2)
SHARED DATA	Available thru CoolCloud HVAC app.
0163F00017	BECKETT BURNER (QTY 2)
0271F00462	BLOWER HOUSING ASSY (M1)
0130F00010	FLAME SENSOR
0151M00027	GAS VALVE
0257F00375	HEAT EXCHANGER ASSY (M2, M3)
0257F00441	HEAT EXCHANGER ASSY. (M7, M8)
0257F00289	HEAT EXCHANGER ASSY. (M4)
0257F00287	HEAT EXCHANGER ASSY. (M1)
0257F00291	HEAT EXCHANGER ASSY. (M6)
0257F00292	HEAT EXCHANGER ASSY. (M9)
0257F00290	HEAT EXCHANGER ASSY. (M5)
0130F00008	IGNITOR-SINI 17 SEC
0130M00141	INDUCTOR, 5.9 AMPS (M5, M6, M7, M8, M9)
0130M00243	INTERLOCK SWITCH
0130F00123	LIMIT, RESET MAN (M4, M5)
10123527	LIMIT-RESET MAN-BROWN (M7, M8, M9)
10123539	LIMIT-RESET MAN-ORANGE (M1, M2, M3)
10123534	LIMIT-RESET MAN-ORANGE (M6)
0271F00507	MORRISON 11 X 10 BLOWER (M5, M6)
0271F00508	MORRISON 11 X 11 BLOWER (M7, M8, M9)
0271F00506	MORRISON 11 X 8 BLOWER (M2, M3, M4)
0131M01011	MOTOR, 1 HP (M6, M8, M9)
0131M00272	MOTOR, 1 HP, SERIAL ECM (M7)
0131M01002	MOTOR, 1/2 HP (M1, M3, M4)
0131M00270	MOTOR, 1/2 HP, SERIAL ECM (M2)
0131M01003	MOTOR, 3/4 HP (M5)
0171M00002	MOTOR-ID, BLOWER
PCBKF105	PCB CONTROL BOARD
0130F00429	PRESSURE SWITCH (M2, M3, M4, M5, M6, M7, M8, M9)
0130F00036	PRIMARY LIMIT - PINK 180° (M7, M8, M9)
20162906	PRIMARY LIMIT - WHITE (M2, M3, M6)
0130F00434	SWITCH, PRESSURE (M6)
0130F00433	SWITCH, PRESSURE (M1, M2, M3)
0130F00436	SWITCH, PRESSURE (M4, M5)
0130F00443	SWITCH, PRESSURE (M7, M8, M9)
0130F00485	SWITCH, PRESSURE (M1)
0130M00140	TRANSFORMER 120V TO 24V, 40VA
0150M00043	WHEEL, BLOWER (10 X 8) (M1)

Expanded Model Nomenclature

M1 - DM96VC0403BNAB
M2 - DM96VC0603BNAB
M3 - DM96VC0603BNAC
M4 - DM96VC0803BNAB
M5 - DM96VC0804CNAB
M6 - DM96VC1005CNAB
M7 - DM96VC1005DNAA
M8 - DM96VC1005DNAC
M9 - DM96VC1205DNAC

SPECIAL PARTS

0161F00090	NAMEPLATE, DAIKIN
------------	-------------------

Cabinet Assembly

IMAGE 1

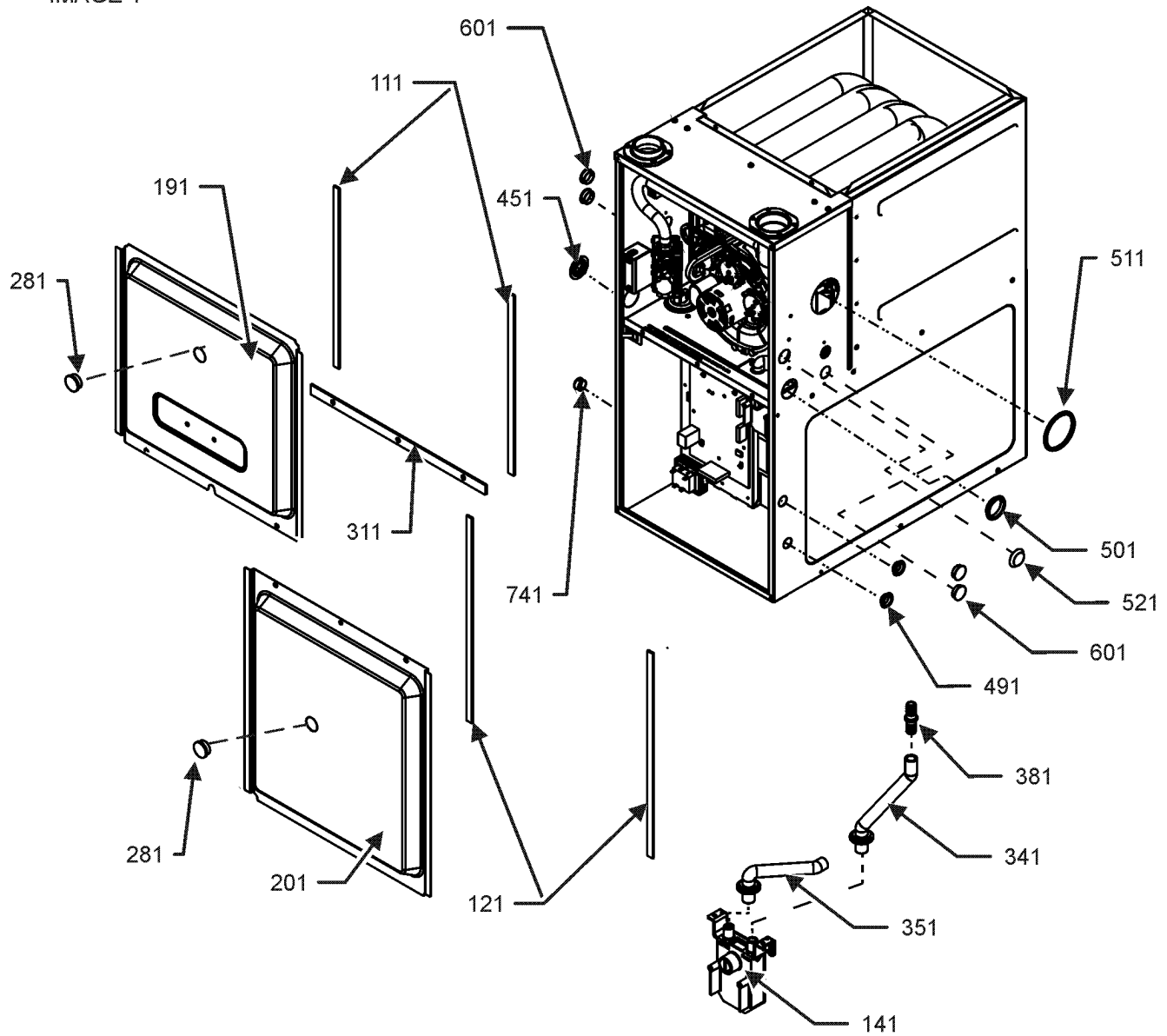
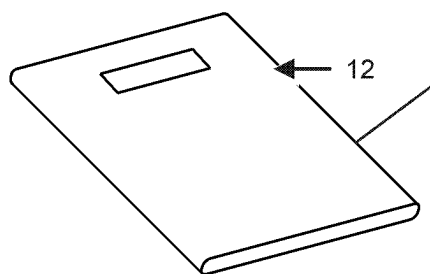
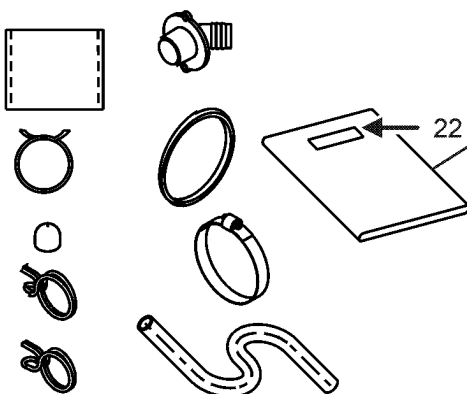


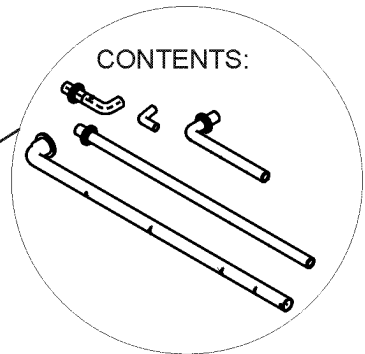
IMAGE 2



CONTENTS:



CONTENTS:



Cabinet Assembly

Ref. Part No:	Part No:	Description:	Ref. Part No:	Part No:	Description:
---------------	----------	--------------	---------------	----------	--------------

Image 1:

111	0154F00024	GASKET (QTY 2)
121	0154F00025	GASKET (QTY 2)
141	0161F00046	DRAIN TRAP
191	0121F00337NG	DOOR, ACCESS 17.5" PNT (M1, M2, M3, M4)
191	0121F00338NG	DOOR, ACCESS 21" PNT (M5, M6)
191	0121F00339NG	DOOR, ACCESS 24.5" PNT (M7, M8, M9)
201	0121F00340NG	DOOR, BLOWER 17.5" PNT (M1, M2, M3, M4)
201	0121F00341NG	DOOR, BLOWER 21" PNT (M5, M6)
201	0121F00342NG	DOOR, BLOWER 24.5" PNT (M7, M8, M9)
281	B1392139	VIEW PORT BUSHING-BLOWER DOOR (QTY 2)
311	0154F00020	GASKET, DECK (M1, M2, M3, M4)
311	0154F00021	GASKET, DECK (M5, M6)
311	0154F00022	GASKET, DECK (M7, M8, M9)
341	0164F00017	HOSE-ELBOW/TRAP
351	0164F00006	HOSE, COVER/TRAP (M7, M8, M9)
351	0164F00024	HOSE, COVER/TRAP (M1, M2, M3, M4, M5, M6)
381	0161F00047	COUPLING, HOSE BARBED
451	M0501301	PIPE GROMMET
491	M0570808	BUTTON PLUG (QTY 3)
501	M0570806	BUTTON PLUG
511	M0570807	BUTTON PLUG
521	0161M00027	PLUG, HOLE
601	B1392021	PLASTIC PLUG, 1" (2713-BLK) (QTY 4)
741	B1392104	UNIVERSAL BUSHING UB 875
NS	M0310345	BUTTON PLUG (QTY 2)
NS	0163M00460	CLAMP-HOSE (QTY 2)
NS	0163M00319	HEX NUT-INSERT (QTY 3)
NS	0161F00090	NAMEPLATE, DAIKIN
NS	M0273904	RETAINER SCREW (QTY 3)
NS	M0209730	SCREW-DECORATIVE (QTY 3)

Image 2:

12	0270F05402	DRAIN KIT ASSY
22	0270F05402	DRAIN KIT ASSY

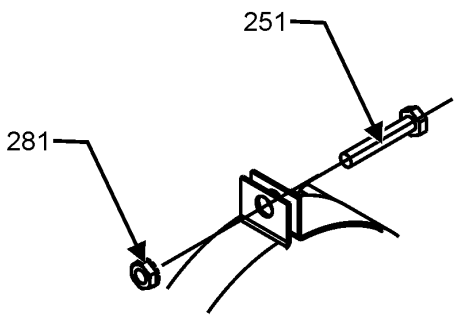
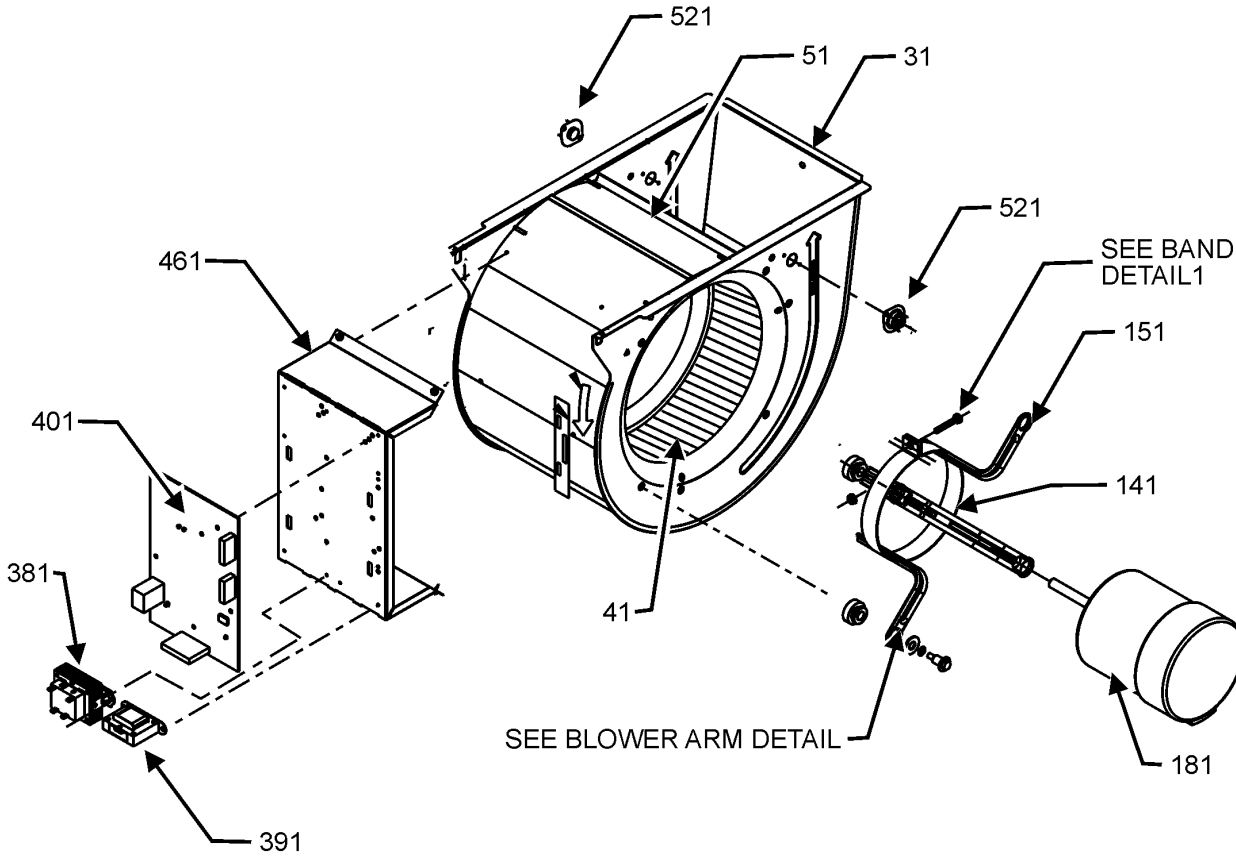
Expanded Model Nomenclature

- | |
|---------------------|
| M1 - DM96VC0403BNAB |
| M2 - DM96VC0603BNAB |
| M3 - DM96VC0603BNAC |
| M4 - DM96VC0803BNAB |
| M5 - DM96VC0804CNAB |
| M6 - DM96VC1005CNAB |
| M7 - DM96VC1005DNAA |
| M8 - DM96VC1005DNAC |
| M9 - DM96VC1205DNAC |

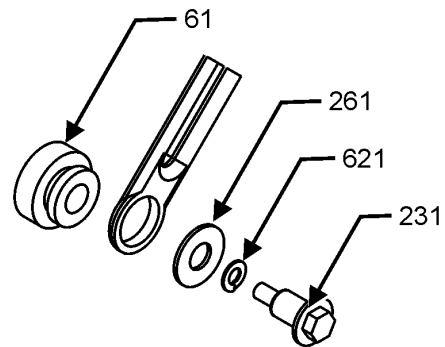
Blower Assembly

BLOWER ASSEMBLY

*If end bells are needed please order the following:
 0131M00182 - 1/2 HP
 0131M00183 - 3/4 HP
 0131M00184 - 1 HP



BAND DETAIL



BLOWER ARM DETAIL

BLOWER ASSEMBLY MAY DIFFER FROM WHAT IS SHOWN

Blower Assembly

Ref. Part No:	Part No:	Description:	Ref. Part No:	Part No:	Description:
---------------	----------	--------------	---------------	----------	--------------

Image 1:

31	0271F00462	BLOWER HOUSING ASSY (M1)
31	0271F00507	MORRISON 11 X 10 BLOWER (M5, M6)
31	0271F00508	MORRISON 11 X 11 BLOWER (M7, M8, M9)
31	0271F00506	MORRISON 11 X 8 BLOWER (M2, M3, M4)
41	0150M00043	WHEEL, BLOWER (10 X 8) (M1)
51	764740	BLWR BLK-OFF, 10X8 (M1)
61	A4002702	BLOWER MOTOR GROMMET (M5, M6, M7, M8, M9)
141	10441601	MOTOR MOUNT BAND (M5, M6, M7, M8, M9)
141	0121M00038	MOUNT BAND, MOTOR (M1, M2, M3, M4)
151	10441501	MOTOR MOUNT ARM (M5, M6, M7, M8, M9)
151	B1376857	MOTOR MOUNT ARM (M1, M2, M3, M4)
181	0131M01011	MOTOR, 1 HP (M6, M8, M9)
181	0131M00272	MOTOR, 1 HP, SERIAL ECM (M7)
181	0131M01002	MOTOR, 1/2 HP (M1, M3, M4)
181	0131M00270	MOTOR, 1/2 HP, SERIAL ECM (M2)
181	0131M01003	MOTOR, 3/4 HP (M5)
231	0163F00028	SCREW (M5, M6, M7, M8, M9)
231	M0250565	SCREW-TC 1.25" (M1, M2, M3, M4)
251	M0267144	MACHINE SCREW (M6, M7, M8, M9)
251	B1393323	SCREW, MACH HWH 1/4-20X1 1/2 BZ (M1, M2, M3, M4, M5)
261	B1392918	WASHER, FLAT 1/4 ID X 1 OD (M1, M2, M3, M4)
261	M0274008	WASHER-FLAT (M5, M6, M7, M8, M9)
281	M0282015	KEPS NUT (M6, M7, M8, M9)
281	B1393800	LOCKNUT, NYLON, INSERT 1/4, 20 (M1, M2, M3, M4, M5)
381	0130M00140	TRANSFORMER 120V TO 24V, 40VA
391	0130M00141	INDUCTOR, 5.9 AMPS (M5, M6, M7, M8, M9)
401	PCBKF105	PCB CONTROL BOARD
461	0121F00464	MOUNTING PLATE-CONTROLS
521	0130F00038	AUX LIMIT - LT BLUE 120° (QTY 2)
621	B1392820	WASHER, SPLIT LOCK 1/4 BZ (M5, M6, M7, M8, M9)
NS	SHARED DATA	Available thru CoolCloud HVAC app.
NS	0259F00040	CONTROL HARNESS
NS	B1392021	PLASTIC PLUG, 1" (2713-BLK) (QTY 4)
NS	0259F00041	POWER HARNESS HIGH VOLTAGE
NS	0259F00024	WIRE HARNESS-BLOWER

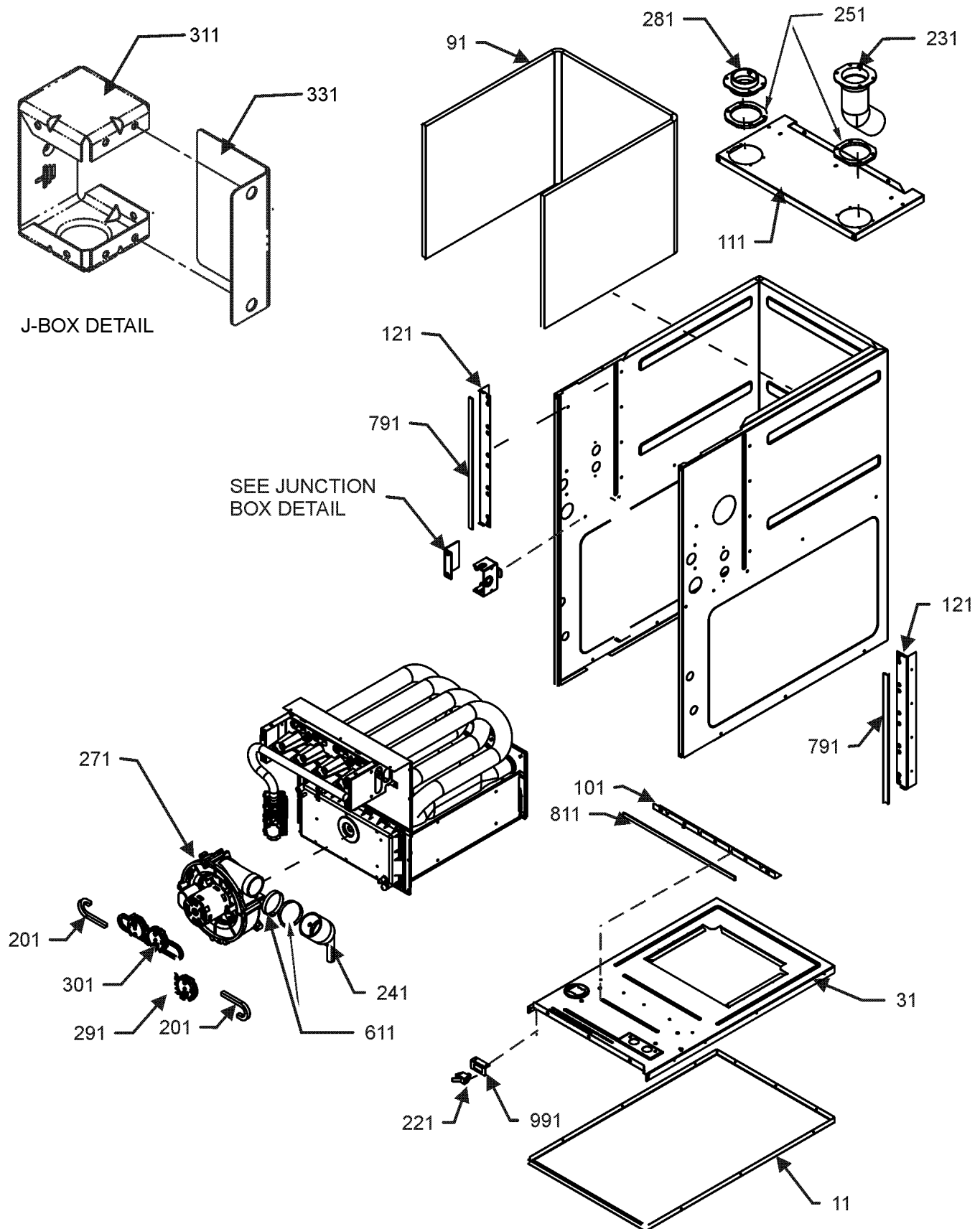
Expanded Model Nomenclature

- | |
|---------------------|
| M1 - DM96VC0403BNAB |
| M2 - DM96VC0603BNAB |
| M3 - DM96VC0603BNAC |
| M4 - DM96VC0803BNAB |
| M5 - DM96VC0804CNAB |
| M6 - DM96VC1005CNAB |
| M7 - DM96VC1005DNAA |
| M8 - DM96VC1005DNAC |
| M9 - DM96VC1205DNAC |

*If end bells are needed please order the following:

- 0131M00182 - 1/2 HP
- 0131M00183 - 3/4 HP
- 0131M00184 - 1 HP

Chassis Assembly



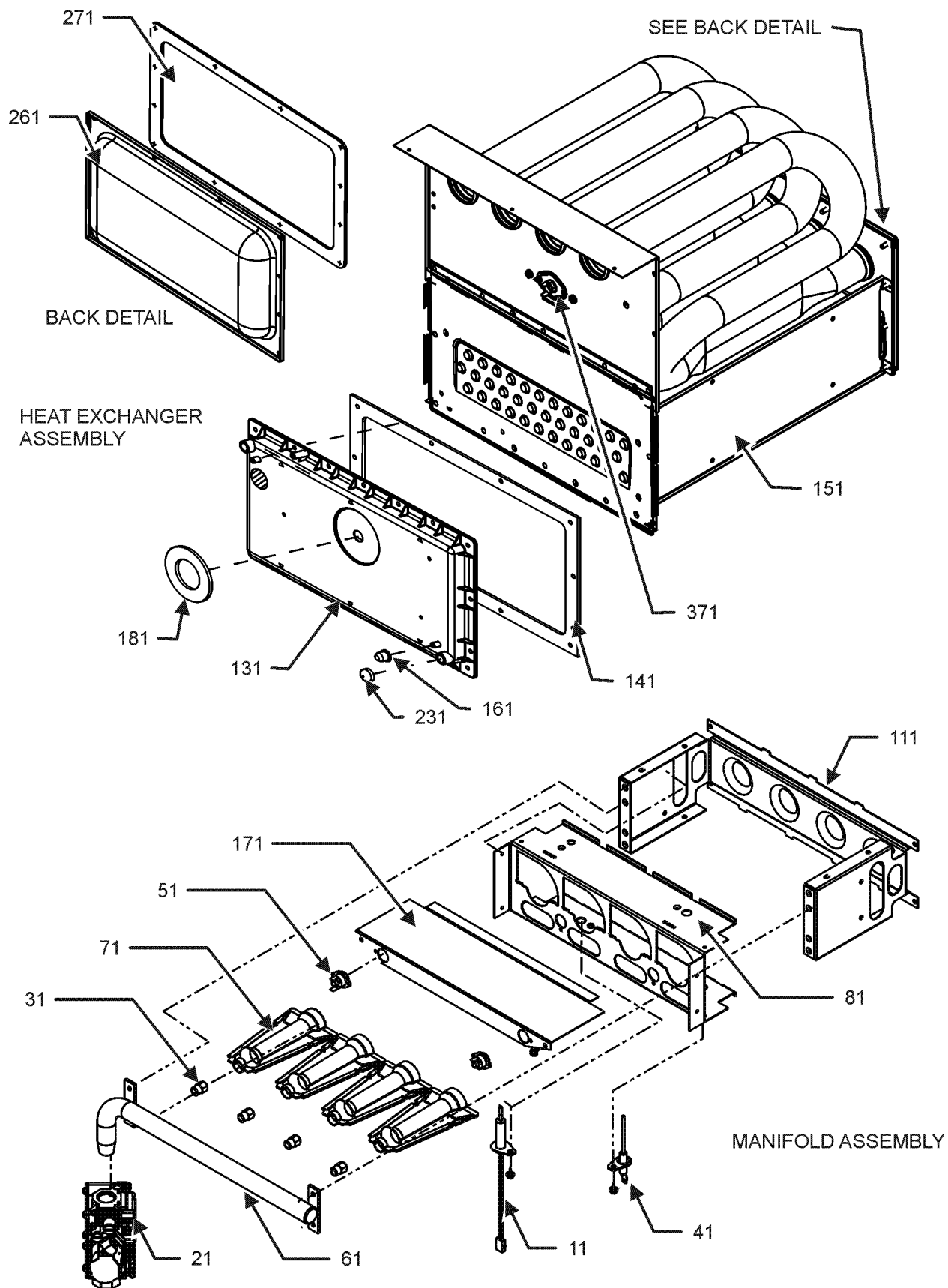
Chassis Assembly

Ref. Part No:	Ref. Part No:	Description:	Description:
Image 1:			
11	0121F00530DG	BASEPAN, 17.5 (M1, M2, M3, M4)	
11	0121F00531DG	BASEPAN, 21 PNT (M5, M6)	
11	0121F00532DG	BASEPAN, 24.5 PNT (M7, M8, M9)	
31	0121F00766	DECK- BLOWER 17.5" (M1, M2, M3, M4)	
31	0121F00767	DECK- BLOWER 21" (M5, M6)	
31	0121F00768	DECK- BLOWER 24.5" (M7, M8, M9)	
91	0160F00015	INSULATION, HT EXCHANGER 17.5" (M1, M2, M3, M4)	
91	0160F00016	INSULATION, HT EXCHANGER 21" (M5, M6)	
91	0160F00017	INSULATION, HT EXCHANGER 24.5" (M7, M8, M9)	
101	0121F00314	ANGLE, DECK (M1, M2, M3, M4)	
101	0121F00315	ANGLE, DECK (M5, M6)	
101	0121F00316	ANGLE, DECK (M7, M8, M9)	
111	0121F00279DG	PAINTED TOP, FURNACE 17.5 (M1, M2, M3, M4)	
111	0121F00280DG	PAINTED TOP, FURNACE 21 (M5, M6)	
111	0121F00281DG	PAINTED TOP, FURNACE 24.5 (M7, M8, M9)	
121	0121F00313	ANGLE, SIDE (QTY 2)	
201	0164M00115	HOSE- PRESSURE SW 6" (QTY 2)	
221	0130M00243	INTERLOCK SWITCH	
231	0164F00002	FLUE PIPE W/BEND	
241	0164F00025	ELBOW-FLUE,UPFLOW	
251	0154F00041	FRESH AIR GASKET (QTY 2)	
271	0171M00002	MOTOR-ID, BLOWER	
281	0161F00037	COUPLING	
291	0130F00429	PRESSURE SWITCH (M2, M3, M4, M5, M6, M7, M8, M9)	
291	0130F00485	SWITCH, PRESSURE (M1)	
301	0130F00433	SWITCH, PRESSURE (M1, M2, M3)	
301	0130F00434	SWITCH, PRESSURE (M6)	
301	0130F00436	SWITCH, PRESSURE (M4, M5)	
301	0130F00443	SWITCH, PRESSURE (M7, M8, M9)	
311	0161F00042	JUNCTION BOX PLA	
331	0161F00043	JUNCTION BOX LID	
611	0163M00460	CLAMP-HOSE (QTY 2)	
791	0154F00015	GASKET (QTY 2)	
811	0154F00014	GASKET (M1, M2, M3, M4, M6)	
811	0154F00016	GASKET (M5)	
811	20194607	GASKET (M7, M8, M9)	
991	0121F00389	BRACKET, DOOR SWITCH	
NS	0159F00071	HARNESS, WIRING (M5, M6, M7, M8, M9)	
NS	0159F00089	HARNESS, WIRING (M1, M2, M3, M4)	
NS	M0326804	PLUG-TUBE	

Expanded Model Nomenclature

M1 - DM96VC0403BNAB
M2 - DM96VC0603BNAB
M3 - DM96VC0603BNAC
M4 - DM96VC0803BNAB
M5 - DM96VC0804CNAB
M6 - DM96VC1005CNAB
M7 - DM96VC1005DNAA
M8 - DM96VC1005DNAC
M9 - DM96VC1205DNAC

Heat Exchange Assembly



Heat Exchange Assembly

Ref. Part No:	Ref. Part No:	Description:	Description:
Image 1:		Image 1:	
11	0130F00008	IGNITOR-SINI 17 SEC	371 20162904 *PRIMARY LIMIT-TEMPERATURE CONTROL (M1, M4, M5)
21	0151M00027	GAS VALVE	371 0130F00036 PRIMARY LIMIT - PINK 180° (M7, M8, M9)
31	10716005	ORIFICE (QTY 2)	371 20162906 PRIMARY LIMIT - WHITE (M2, M3, M6)
41	0130F00010	FLAME SENSOR	NS 0121F00583 INSULATION, RETAINER (M1, M2, M3, M4)
51	0130F00123	LIMIT, RESET MAN (M4, M5)	NS 0121F00584 INSULATION, RETAINER (M5, M6)
51	10123527	LIMIT-RESET MAN-BROWN (M7, M8, M9)	NS 0121F00585 INSULATION, RETAINER (M7, M8, M9)
51	10123534	LIMIT-RESET MAN-ORANGE (M6)	NS 0121F00439 PRIMARY LIMIT-HEAT SHIELD
51	10123539	LIMIT-RESET MAN-ORANGE (M1, M2, M3)	NS 0121F00355 SHIELD, COIL (QTY 2)
61	0163F00007	MANIFOLD (M1)	
61	0163F00008	MANIFOLD (M2, M3)	
61	0163F00009	MANIFOLD (M5)	
61	0163F00010	MANIFOLD (M6, M7, M8)	
61	0163F00011	MANIFOLD (M9)	
61	0163F00014	MANIFOLD (M4)	
71	0163F00017	BECKETT BURNER (QTY 2)	
81	0121F00456	BRACKET-BURNER 2 (M1)	
81	0121F00455	BRACKET-BURNER 3 (M2, M3)	
81	0121F00454	BRACKET-BURNER 4 (M4, M5)	
81	0121F00453	BRACKET-BURNER 5 (M6, M7, M8)	
81	0121F00451	BRACKET-BURNER 6 (M9)	
111	0121F00469	ORIFICE BRACKET-BURNER 2 (M1)	
111	0121F00468	ORIFICE BRACKET-BURNER 3 (M2, M3)	
111	0121F00467	ORIFICE BRACKET-BURNER 4 (M4, M5)	
111	0121F00466	ORIFICE BRACKET-BURNER 5 (M6, M7, M8)	
111	0121F00465	ORIFICE BRACKET-BURNER 6 (M9)	
131	0161F00022	COVER, FRONT (M4)	
131	0161F00026	COVER, FRONT (M6)	
131	0161F00030	COVER, FRONT (M5)	
131	0161F00053	COVER, FRONT (M1)	
131	0161F00054	COVER, FRONT (M2, M3)	
131	0161F00063	COVER, FRONT (M9)	
131	0161F00084	COVER, FRONT (M7, M8)	
141	0154F00026	GASKET FRONT COVER (M1, M2, M3, M4)	
141	0154F00030	GASKET FRONT COVER (M5, M6)	
141	0154F00034	GASKET FRONT COVER (M7, M8, M9)	
151	0257F00375	HEAT EXCHANGER ASSY (M2, M3)	
151	0257F00287	HEAT EXCHANGER ASSY. (M1)	
151	0257F00289	HEAT EXCHANGER ASSY. (M4)	
151	0257F00290	HEAT EXCHANGER ASSY. (M5)	
151	0257F00291	HEAT EXCHANGER ASSY. (M6)	
151	0257F00292	HEAT EXCHANGER ASSY. (M9)	
151	0257F00441	HEAT EXCHANGER ASSY. (M7, M8)	
161	M0326804	TUBE PLUG	
171	0121F00539	SHEILD, BURNER (M1)	
171	0121F00540	SHEILD, BURNER (M2, M3)	
171	0121F00541	SHEILD, BURNER (M4, M5)	
171	0121F00542	SHEILD, BURNER (M6, M7, M8)	
171	0121F00543	SHEILD, BURNER (M9)	
181	0154F00043	GASKET ID BLOWER	
231	A1781105	CAP-VINYL .500	
261	0121F00317	COVER, REAR (M1, M2, M3, M4)	
261	0121F00318	COVER, REAR (M5, M6)	
261	0121F00319	COVER, REAR (M7, M8, M9)	
271	0154F00037	GASKET, REAR CVR (M1, M2, M3, M4)	
271	0154F00038	GASKET, REAR CVR (M5, M6)	
271	0154F00039	GASKET, REAR CVR (M7, M8, M9)	

Expanded Model Nomenclature

- M1 - DM96V C0403BNAB
- M2 - DM96V C0603BNAB
- M3 - DM96V C0603BNAC
- M4 - DM96V C0803BNAB
- M5 - DM96V C0804CNAB
- M6 - DM96V C1005CNAB
- M7 - DM96V C1005DNAA
- M8 - DM96V C1005DNAC
- M9 - DM96V C1205DNAC