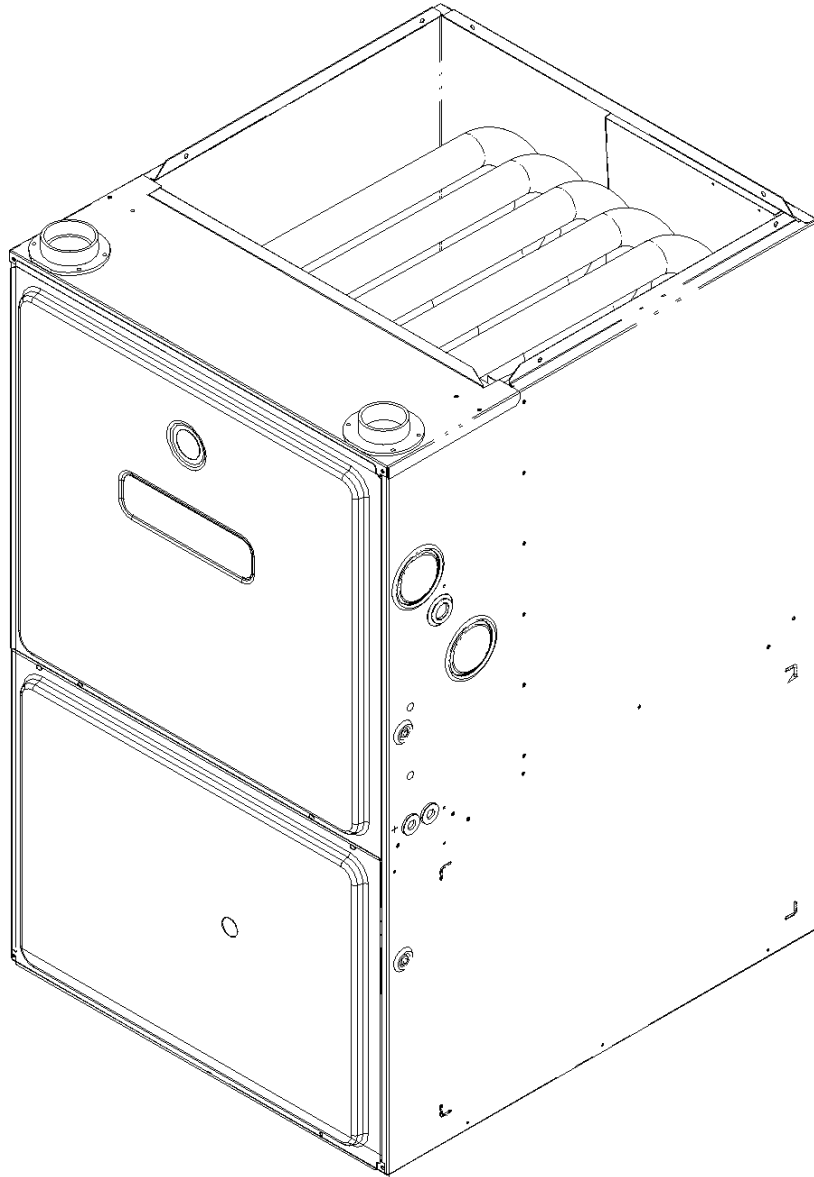


DM96VC 96% Variable Speed Furnace

DM96VC0453BXAA
DM96VC0704CXAA
DM96VC0905CXAA
DM96VC0905DXAA
DM96VC1155DXAA



This manual is to be used by qualified technicians only.

© 2013 Daikin Company, L.P. ♦ 5151 San Felipe St., Suite 500 ♦ Houston, TX 77056

Important Information

Index

Functional Parts List	3
Illustration and Parts	4 - 11

Views shown are for parts illustrations only, not servicing procedures

Introduction of Daikin products.
11/18/13: Updated blower wheel B1368047A to B1360847.

Text Codes:

- AR - As Required
- NA - Not Available
- NS - Not Shown
- 00000000 - See Note
- QTY - Quantity Example (QTY 3) (If Quantity not shown, Quantity = 1)
- M - Model Example (M1) (If M Code not shown, then part is used on all Models)

Expanded Model Nomenclature:

Example M1 - Model#1 M2 - Model#2 M3 - Model#3

Daikin Company, L.P. is not responsible for personal injury or property damage resulting from improper service. Review all service information before beginning repairs.

Warranty service must be performed by an authorized technician, using authorized factory parts. If service is required after the warranty expires, Daikin Company, L.P. also recommends contacting an authorized technician and using authorized factory parts.

Daikin Company, L.P. reserves the right to discontinue, or change at any time, specifications or designs without notice or without incurring obligations.

For assistance within the U.S.A. contact:
Consumer Affairs Department
Daikin North America, LLC
7401 Security Way
Houston, Texas 77040
855-770-5678-Telephone
713-863-2382-Facsimile

For assistance outside the U.S.A. contact:
International Division
Daikin North America, LLC
7401 Security Way
Houston, Texas 77040
713-861-2500-Telephone
713-863-2382-Facsimile

Functional Parts

Part

No: Description:

10735102	BECKETT BURNER (QTY A/R)
D6723311	BLOWER WHEEL (M3, M4, M5)
B1368047	BLOWER WHEEL 10 X 10 (M2)
B1368016	BLOWER WHEEL 10 X 8 (M1)
0130F00366	DATA, FURNACE PCB MEMORY CHIP (M2)
0130F00367	DATA, FURNACE PCB MEMORY CHIP (M3)
0130F00368	DATA, FURNACE PCB MEMORY CHIP (M4)
0130F00369	DATA, FURNACE PCB MEMORY CHIP (M5)
0130F00365	DATA, FURNACE PCB MEMORY CHIP (M1)
0130F00010	FLAME SENSOR
0130F00008	IGNITOR-SINI 17 SEC
0130M00141	INDUCTOR-5.9 AMP (M2, M3, M4, M5)
10123518	MANUAL RESET LIMIT (M1)
10123536	MANUAL RESET LIMIT 180°F (M3, M4)
10123537	MANUAL RESET LIMIT-GRAY (M2)
10123535	MANUAL RESET LIMIT-RED (M1)
10123533	MANUAL RESET LIMIT-YELLOW (M2, M3, M5)
0131M00272	MOTOR, 1 HP, SERIAL ECM (M3, M4, M5)
0131M00270	MOTOR, 1/2 HP, SERIAL ECM (M1)
0131M00271	MOTOR, 3/4 HP, SERIAL ECM (M2)
PCBKF103	PCB, CONTROL, FURNACE
0130F00251	PRESSURE SWITCH (M3)
11177113	PRESSURE SWITCH-GRAY (M1, M2)
11177114	PRESSURE SWITCH-OLIVE (M4, M5)
20197308	PRESSURE SWITCH-YELLOW
20162907	PRIMARY LIMIT (M2)
20162904	*PRIMARY LIMIT-TEMPERATURE CONTROL (M5) *Refer to service bulletin SF-054r1
20162905	PRIMARY LIMIT-YELLOW (M1, M4)
B1141605	TRANSFORMER 120V TO 24V, 40 VA
0151M00028	VALVE,GAS(HW)VR92

SPECIAL PARTS

0161F00039 NAMEPLATE, DAIKIN

Expanded Model Nomenclature

M1 - DM96VC0453BXAA
M2 - DM96VC0704CXAA
M3 - DM96VC0905CXAA
M4 - DM96VC0905DXAA
M5 - DM96VC1155DXAA

Cabinet

Image 1

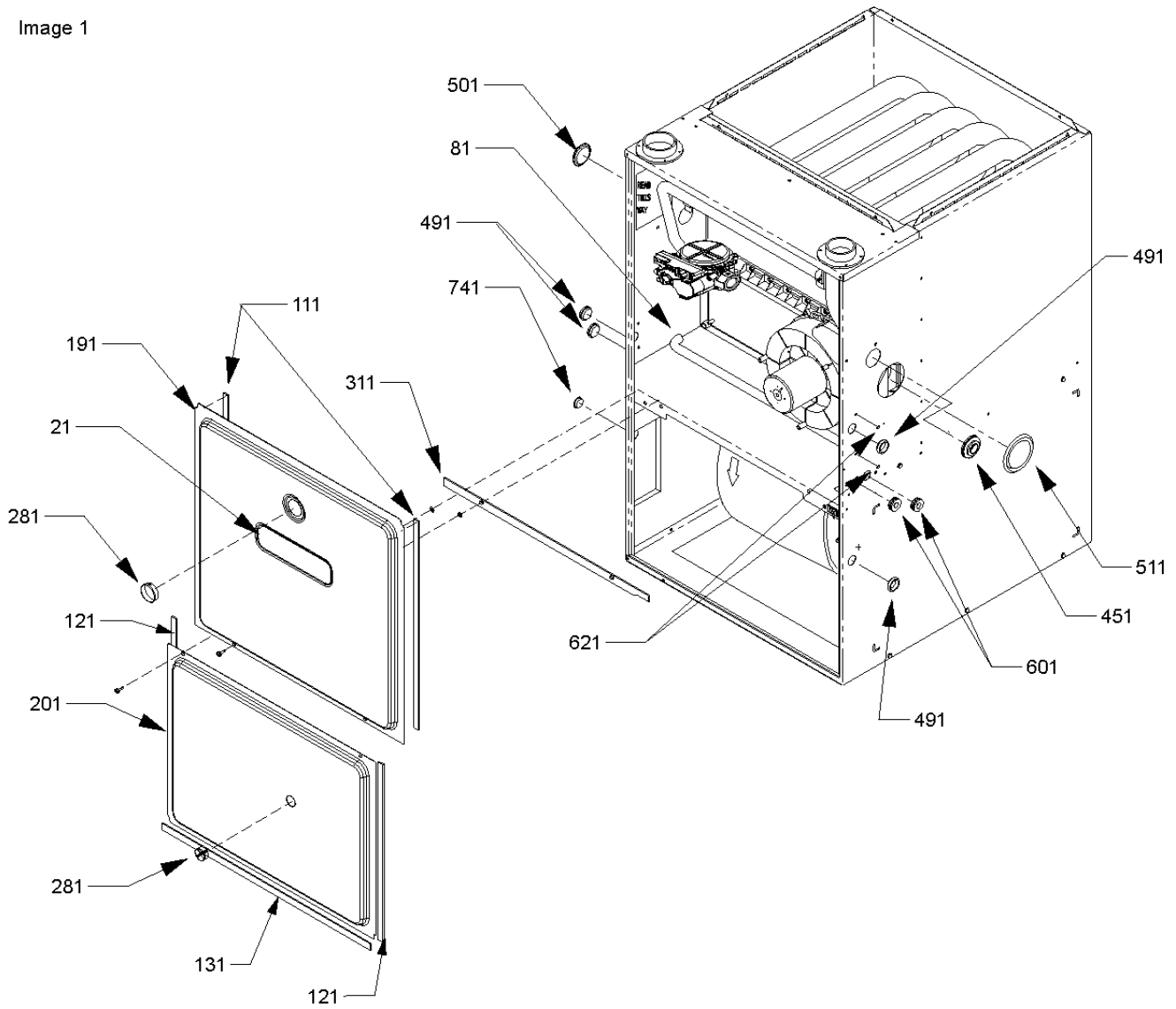
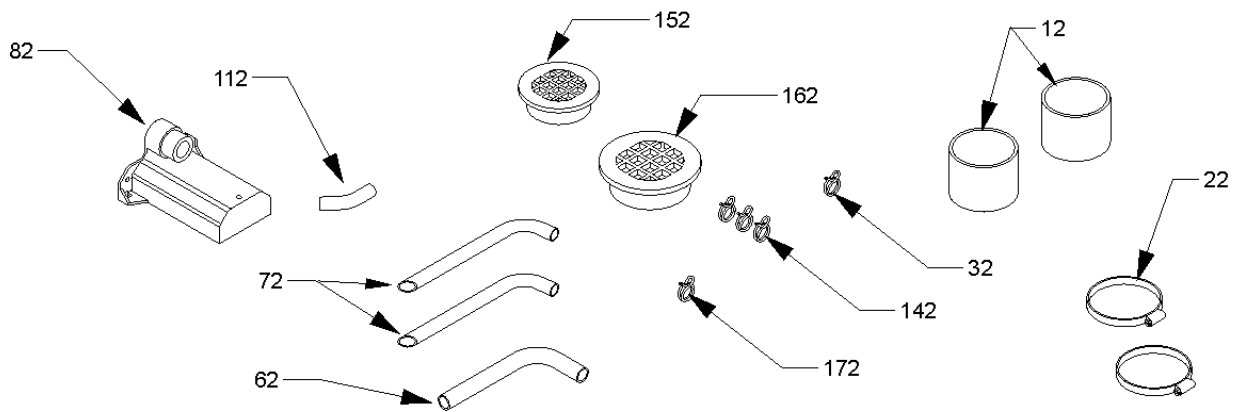


Image 2



Cabinet

Ref. Part No: No:	Description:	Ref. Part No: No:	Description:
-------------------	--------------	-------------------	--------------

Image 1:

21	0161F00039	NAMEPLATE, DAIKIN
81	20201902	DRAIN HOSE
111	20179308	GASKET (QTY 2)
121	20179311	GASKET (QTY 2)
131	20179312	GASKET (M2, M3)
131	20179313	GASKET (M4, M5)
131	20194605	GASKET (M1)
191	0121F00066NG	ACCESS DOOR (M1)
191	0121F00067NG	ACCESS DOOR (M2, M3)
191	0121F00068NG	ACCESS DOOR (M4, M5)
201	0121F00063NG	BLOWER DOOR (M1)
201	0121F00064NG	BLOWER DOOR (M2, M3)
201	0121F00065NG	BLOWER DOOR (M4, M5)
281	B1392139	VIEW PORT BUSHING-BLOWER DOOR (QTY 2)
311	22320001	DECK GASKET (M1)
311	22320002	DECK GASKET (M2, M3)
311	22320003	DECK GASKET (M4, M5)
451	M0501301	PIPE GROMMET
491	M0570808	BUTTON PLUG (QTY 4)
501	M0570806	BUTTON PLUG
511	M0570807	BUTTON PLUG
601	A4691701	GROMMET (QTY 2)
621	M0310345	BUTTON PLUG (QTY 2)
741	B1392104	UNIVERSAL BUSHING UB 875
NS	10195517	STANDPIPE BAG ASSY

Image 2:

12	10254303	RUBBER COUPLING
22	0163M00049	HOSE CLAMP (QTY 2)
32	M0119207	HOSE CLAMP
62	20201901	DRAIN HOSE
72	20201802	DRAIN TUBE (QTY 2)
82	20171701	DRAIN TRAP
112	20214202	DRAIN-ANGLE
142	M0119205	HOSE CLAMP (QTY 3)
152	B2810816	2" MESH INSERT
162	B2810814	3" MESH INSERT
172	M0119206	HOSE CLAMP

Expanded Model Nomenclature

- | |
|---------------------|
| M1 - DM96VC0453BXAA |
| M2 - DM96VC0704CXAA |
| M3 - DM96VC0905CXAA |
| M4 - DM96VC0905DXAA |
| M5 - DM96VC1155DXAA |

Blower Assembly

*If end bells are needed please order the following:

0131M00182 - 1/2 HP

0131M00183 - 3/4 HP

0131M00184 - 1 HP

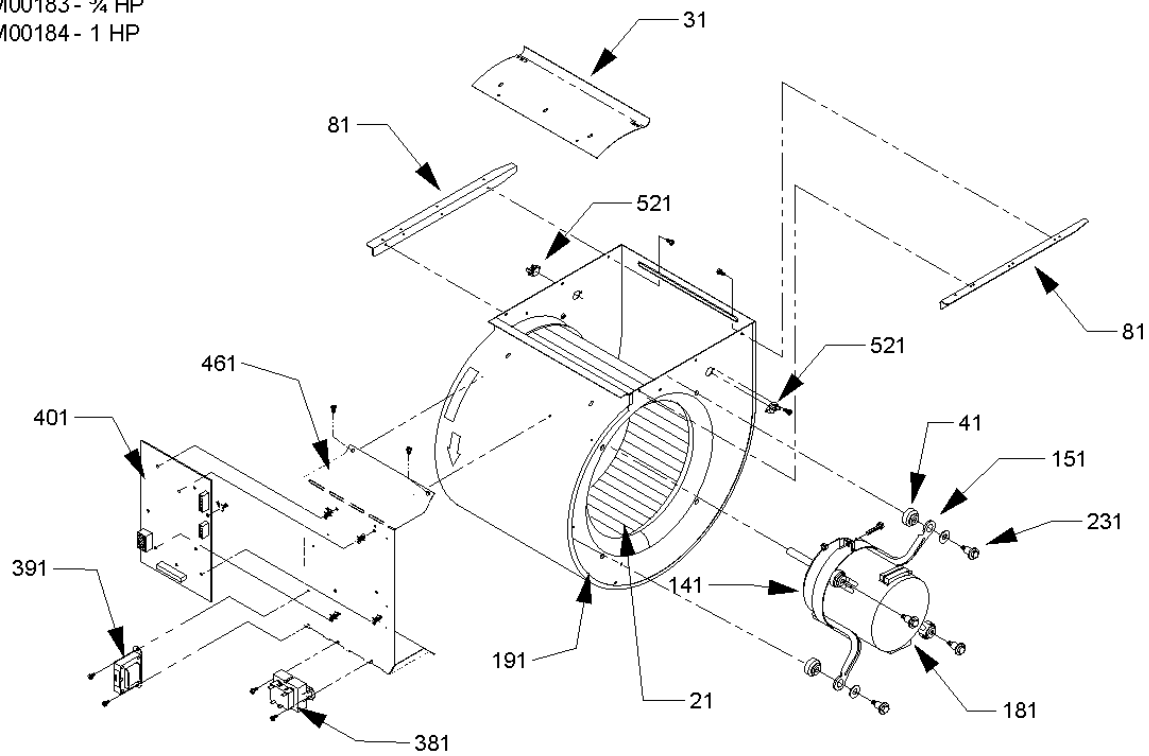
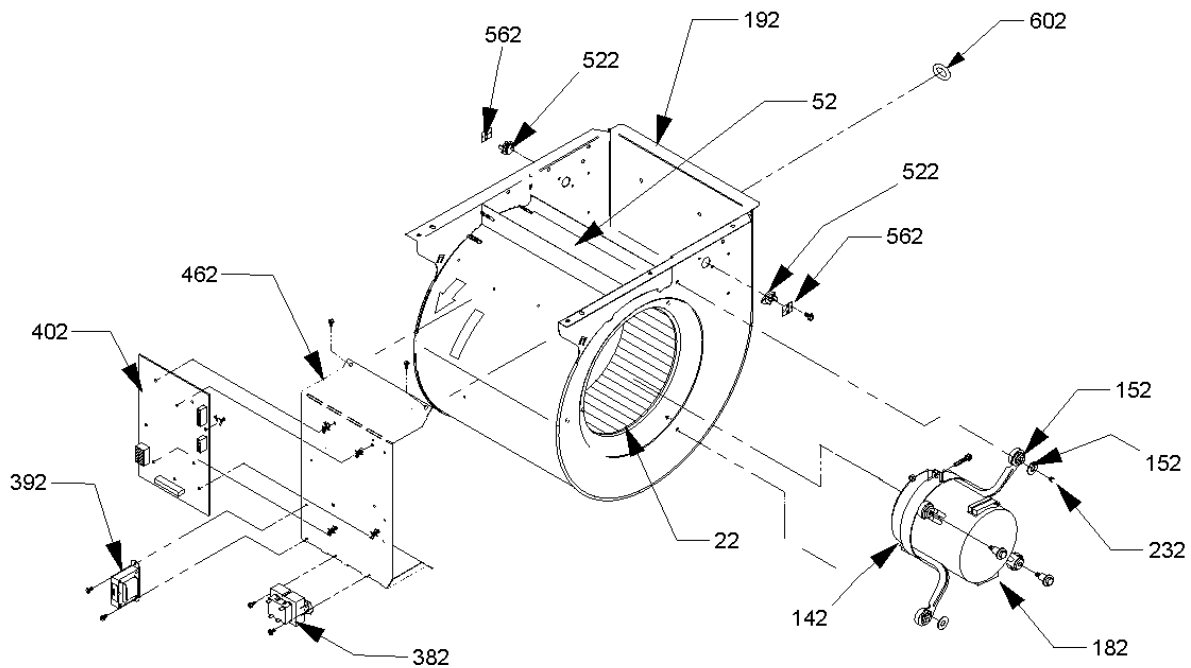


Image 1

Image 2



Blower Assembly

**Ref. Part
No: No:**

Description:

**Ref. Part
No: No:**

Description:

Image 1:

21	D6723311	BLOWER WHEEL (M3, M4, M5)
31	C6121807	BLOWER CUT-OFF (M3, M4, M5)
41	A4002702	BLOWER MOTOR GROMMET (M3, M4, M5)
141	10441601	MOTOR MOUNT BAND (M3, M4, M5)
151	10441501	MOTOR MOUNT ARM (M3, M4, M5)
181	0131M00272	MOTOR, 1 HP, SERIAL ECM (M3, M4, M5)
191	0271F00047	BLOWER HOUSING ASSY 11 X 10 (M3, M4, M5)
231	M0221461	TC SCREW (M3, M4, M5)
381	0130M00140	TRANSFORMER 120V TO 24V, 40 VA (M3, M4, M5)
391	0130M00141	INDUCTOR, 5.9 AMPS (GMPE100-4) (M3, M4, M5)
401	PCBKF103	PCB, CONTROL, FURNACE (M3, M4, M5)
461	0121F00094	CONTROL MOUNT PANEL (M3, M4, M5)
521	10123536	MANUAL RESET LIMIT 180°F (M3, M4)
521	10123533	MANUAL RESET LIMIT-YELLOW (M2, M3, M5)
NS	0259F00024	BLOWER WIRE HARNESS (M3, M4, M5)
NS	0259F00040	CONTROL HARNESS (M3, M4, M5)
NS	0130F00367	DATA, FURNACE PCB MEMORY CHIP (M3)
NS	0130F00368	DATA, FURNACE PCB MEMORY CHIP (M4)
NS	0130F00369	DATA, FURNACE PCB MEMORY CHIP (M5)
NS	0259F00041	POWER HARNESS (M3, M4, M5)
NS	0159F00022	WIRING HARNESS (M3, M4, M5)

Image 2:

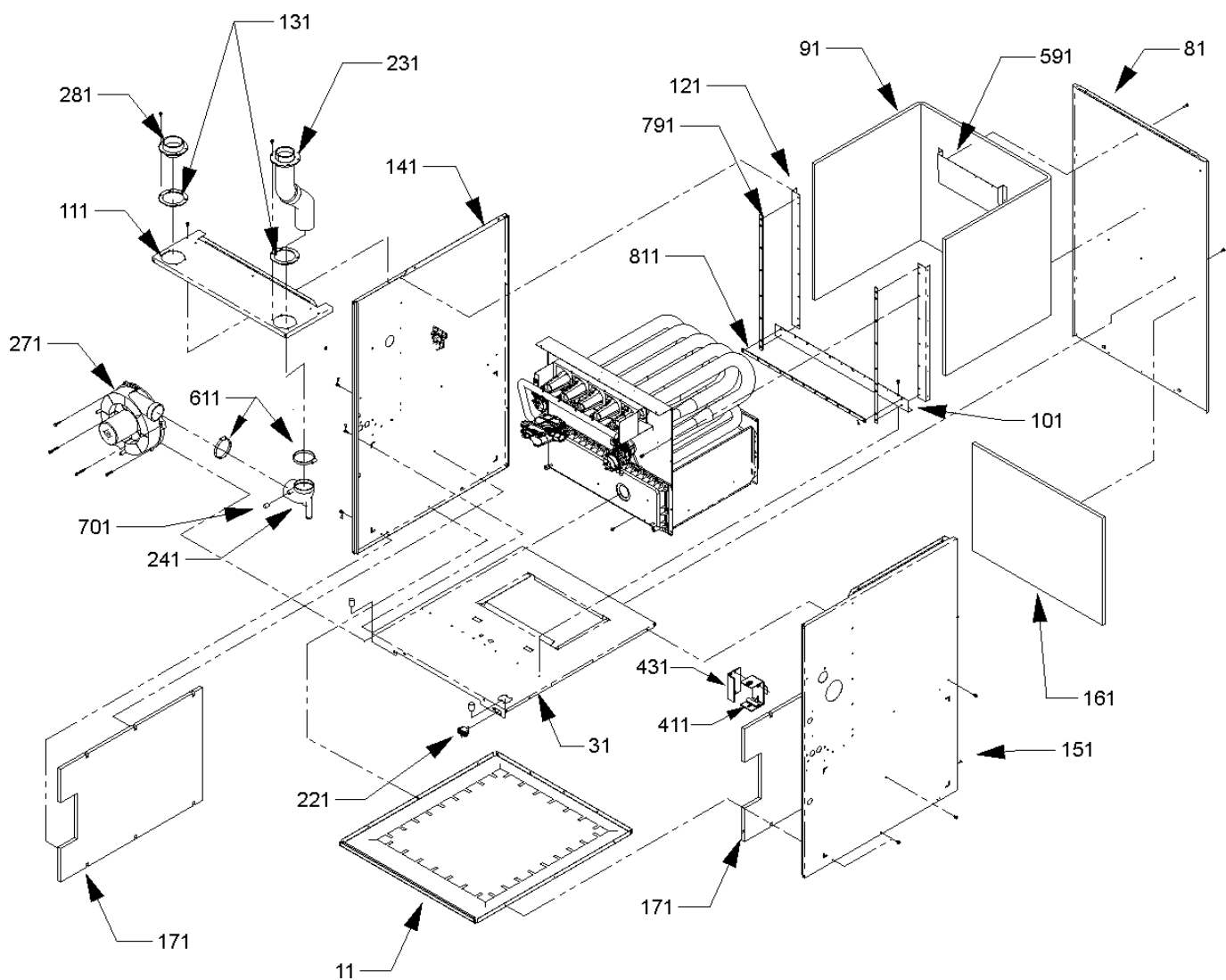
22	B1368047	BLOWER WHEEL 10 X 10 (M2)
22	B1368016	BLOWER WHEEL 10 X 8 (M1)
42	B1392918	WASHER, FLAT 1/4 (M1, M2)
52	764741F	BLOWER BLOCK-OFF 10 X 10 (M2)
52	764740	BLOWER BLOCK-OFF 10 X 8 (M1)
142	0121M00038	MOTOR MOUNT BAND (M1, M2)
152	B1376857	MOTOR MOUNT ARM (M1, M2)
182	0131M00270	MOTOR, 1/2 HP, SERIAL ECM (M1)
182	0131M00271	MOTOR, 3/4 HP, SERIAL ECM (M2)
192	0271F00004P	BLOWER HOUSING ASSY 10 X 10 (M2)
192	0271F00074	BLOWER HOUSING ASSY 10 X 8 (M1)
232	M0250565	TC SCREW 1.25" (M1, M2)
382	0130M00140	TRANSFORMER 120V TO 24V, 40 VA (M1, M2)
392	0130M00141	INDUCTOR, 5.9 AMPS (GMPE100-4) (M2)
402	PCBKF103	PCB, CONTROL, FURNACE (M1, M2)
462	0121F00094	CONTROL MOUNT PANEL
522	10123537	MANUAL RESET LIMIT-GRAY (M2)
522	10123535	MANUAL RESET LIMIT-RED (M1)
562	2509503F	AUXILIARY LIMIT BRACKET (M1, M2)
602	B1392021	PLASTIC PLUG, 1" (2713-BLK) (M1, M2)
NS	0259F00040	CONTROL HARNESS (M1, M2)
NS	0130F00365	DATA, FURNACE PCB MEMORY CHIP (M1)
NS	0130F00366	DATA, FURNACE PCB MEMORY CHIP (M2)
NS	0259F00041	POWER HARNESS HIGH VOLTAGE (M1, M2)
NS	0259F00024	WIRE HARNESS-BLOWER (M1, M2)
NS	0159F00022	WIRING HARNESS (M1, M2)

Expanded Model Nomenclature

M1 - DM96VC0453BXAA
M2 - DM96VC0704CXAA
M3 - DM96VC0905CXAA
M4 - DM96VC0905DXAA
M5 - DM96VC1155DXAA

*If end bells are needed please order the following:
0131M00182 - 1/2 HP
0131M00183 - 3/4 HP
0131M00184 - 1 HP

Chassis



Chassis

Ref. Part No:	Description:	Ref. Part No:	Description:
---------------	--------------	---------------	--------------

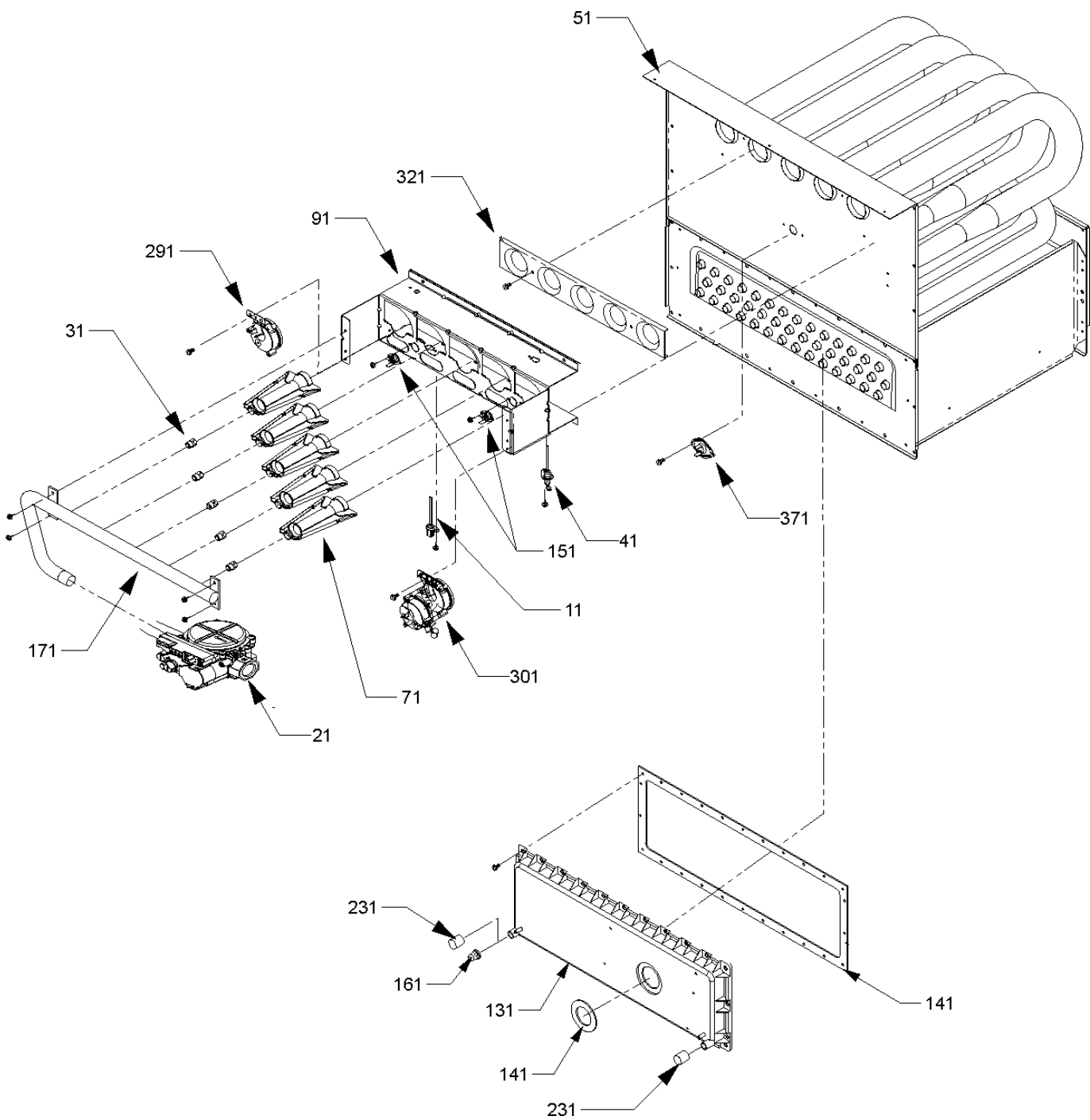
Image 1:

11	0121F00050DG	BASE PAN (M1)
11	0121F00051DG	BASE PAN (M2, M3)
11	0121F00052DG	BASE PAN (M4, M5)
31	0121F00043	BLOWER DECK (M1)
31	0121F00045	BLOWER DECK (M2)
31	0121F00048	BLOWER DECK (M4, M5)
31	0121F00246	BLOWER DECK (M3)
81	20273208	BACK PANEL (M1)
81	20273209	BACK PANEL (M2, M3)
81	20273211	BACK PANEL (M4, M5)
91	C6415909	HEAT EXCHANGER INSULATION (M4, M5)
91	C6415910	HEAT EXCHANGER INSULATION (M1)
91	C6415911	HEAT EXCHANGER INSULATION (M2, M3)
101	0121F00018P	DECK RAIL (M1)
101	0121F00019P	DECK RAIL (M2, M3)
101	20191303	DECK RAIL (M4, M5)
111	0270F00100P	TOP COVER ASSY (M1)
111	0270F00101P	TOP COVER ASSY (M2, M3)
111	0270F00102P	TOP COVER ASSY (M4, M5)
121	20191602	SIDE RAIL (M1)
121	20191603	SIDE RAIL (M2, M3)
121	20191604	SIDE RAIL (M4, M5)
131	0154F00000P	COIL GASKET (M1)
131	0154F00001P	COIL GASKET (M2, M3)
131	0154F00002P	COIL GASKET (M4, M5)
141	0121F00429DG	PANEL- SIDE LH UF FUR PNT
151	0121F00428DG	PANEL- SIDE RH UF FUR PNT
161	20006601	INSULATION (M1)
161	20006602	INSULATION (M2, M3)
161	20006603	INSULATION (M4, M5)
171	20243503	SIDE INSULATION (QTY 2)
221	B1370818	INTERLOCK SWITCH
231	22309501	FLUE PIPE
241	20171802	ELBOW
271	0271F00126	ID BLOWER ASSEMBLY
281	20049701	FA COUPLING
411	0161F00012	JUNCTION BOX-PLA
431	0161F00013	JUNCTION BOX-LID
591	11165107	ID BLOWER SHIELD
611	0163M00049	HOSE CLAMP (QTY 2)
701	M0326804	TUBE PLUG
791	20194607	GASKET (QTY 2)
811	20194605	GASKET (M1)
811	20194607	GASKET (QTY 2)
NS	0164M00002	PRESSURE SWITCH HOSE (QTY 2)
NS	0164M00008	PRESSURE SWITCH HOSE
NS	0164M00012	PRESSURE SWITCH HOSE (M1)
NS	0164M00013	PRESSURE SWITCH HOSE (M3)
NS	0164M00014	PRESSURE SWITCH HOSE (M2, M4, M5)

Expanded Model Nomenclature

M1 - DM96VC0453BXAA
M2 - DM96VC0704CXAA
M3 - DM96VC0905CXAA
M4 - DM96VC0905DXAA
M5 - DM96VC1155DXAA

Heat Exchanger / Manifold / Gas Valve



Heat Exchanger / Manifold / Gas Valve

Ref. Part No: No:	Description:	Ref. Part No: No:	Description:
-------------------	--------------	-------------------	--------------

Image 1:

11	0130F00008	IGNITOR-SINI 17 SEC
21	0151M00028	VALVE,GAS(HW)VR92
31	10716003	ORIFICE (QTY A/R)
41	0130F00010	FLAME SENSOR
51	0257F00205	HEAT EXCHANGER ASSY (M3)
51	0257F00143	HEAT EXCHANGER ASSY 2B (M1)
51	0257F00146	HEAT EXCHANGER ASSY 3B (M2)
51	0257F00140	HEAT EXCHANGER ASSY 4B (M4)
51	0257F00174	HEAT EXCHANGER ASSY 5B (M5)
71	10735102	BECKETT BURNER (QTY A/R)
91	20190410	BURNER BRACKET 2B (M1)
91	20190411	BURNER BRACKET 3B (M2)
91	20190412	BURNER BRACKET 4B (M3, M4)
91	20190413	BURNER BRACKET 5B (M5)
131	20170804A	FRONT COVER (M1)
131	20170903A	FRONT COVER (M2)
131	20170906A	FRONT COVER (M3)
131	20171003A	FRONT COVER (M4)
131	20171004A	FRONT COVER (M5)
141	0154F00000P	COIL GASKET (M1)
141	0154F00001P	COIL GASKET (M2, M3)
141	0154F00002P	COIL GASKET (M4, M5)
151	10123537	LIMIT-RESET-GRAY (M2)
151	10123518	MANUAL RESET LIMIT (M1)
161	M0326804	TUBE PLUG
171	20196401	MANIFOLD - 2 BRNR (M1)
171	20196402	MANIFOLD - 3 BRNR (M2)
171	20196403	MANIFOLD - 4 BRNR (M3, M4)
171	20196404	MANIFOLD - 5 BRNR (M5)
231	A1781105	CAP-VINYL .500 (QTY 2)
291	20197308	PRESSURE SWITCH-YELLOW
301	0130F00251	PRESSURE SWITCH (M3)
301	11177113	PRESSURE SWITCH-GRAY (M1, M2)
301	11177114	PRESSURE SWITCH-OLIVE (M4, M5)
321	11072201	ORIFICE SHIELD (M1)
321	11072202	ORIFICE SHIELD (M2)
321	11072203	ORIFICE SHIELD (M3, M4)
321	11072204	ORIFICE SHIELD (M5)
371	20162907	PRIMARY LIMIT (M2)
371	20162904	*PRIMARY LIMIT-TEMPERATURE CONTROL (M5) *Refer to service bulletin SF-054r1
371	20162905	PRIMARY LIMIT-YELLOW (M1, M4)

Expanded Model Nomenclature

M1 - DM96VC0453BXAA
M2 - DM96VC0704CXAA
M3 - DM96VC0905CXAA
M4 - DM96VC0905DXAA
M5 - DM96VC1155DXAA