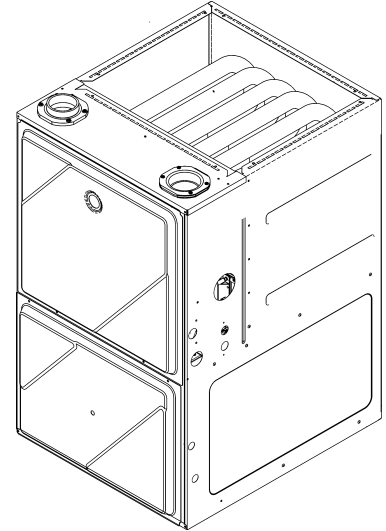


## DM96TN 96% Multi-Speed ECM Up Flow Furnace

DM96TN0303ANAA  
DM96TN0303ANAB  
DM96TN0403ANAA  
DM96TN0403ANAB  
DM96TN0603ANAA  
DM96TN0603ANAB  
DM96TN0603BNAA  
DM96TN0603BNAB  
DM96TN0803BNAA  
DM96TN0803BNAB  
DM96TN0804CNAA  
DM96TN0804CNAB  
DM96TN1004CNAA  
DM96TN1004CNAB  
DM96TN1005CNAA  
DM96TN1005CNAB  
DM96TN1205DNAA  
DM96TN1205DNAB



This manual is to be used by qualified technicians only.

This manual replaces RP-D2329

# Important Information

---

## Index

Functional Parts List .....	3
Illustration and Parts .....	4 - 11

*Views shown are for parts illustrations only, not servicing procedures.*

### Text Codes:

AR - As Required

NA - Not Available

NS - Not Shown

00000000 - See Note

QTY - Quantity Example (QTY 3) (If Quantity not shown, Quantity = 1)

M - Model Example (M1) (If M Code not shown, then part is used on all Models)

### Expanded Model Nomenclature:

Example
M1 - Model#1
M2 - Model#2
M3 - Model#3

Daikin Comfort Technologies Manufacturing , L.P. is not responsible for personal injury or property damage resulting from improper service. Review all service information before beginning repairs.

Warranty service must be performed by an authorized technician, using authorized factory parts. If service is required after the warranty expires, Daikin Comfort Technologies Manufacturing , L.P. also recommends contacting an authorized technician and using authorized factory parts.

Daikin Comfort Technologies Manufacturing , L.P. reserves the right to discontinue, or change at any time, specifications or designs without notice or without incurring obligations.

For assistance within the U.S.A. contact:  
Homeowner Support  
Daikin Comfort Technologies Manufacturing , L.P.  
19001 Kermier Road  
Waller, Texas 77484  
855-770-5678-Telephone  
713-863-2382-Facsimile

For assistance outside the U.S.A. contact:  
International Division  
Daikin Comfort Technologies Manufacturing , L.P.  
19001 Kermier Road  
Waller, Texas 77484  
713-861-2500-Telephone  
713-863-2382-Facsimile

# Functional Parts

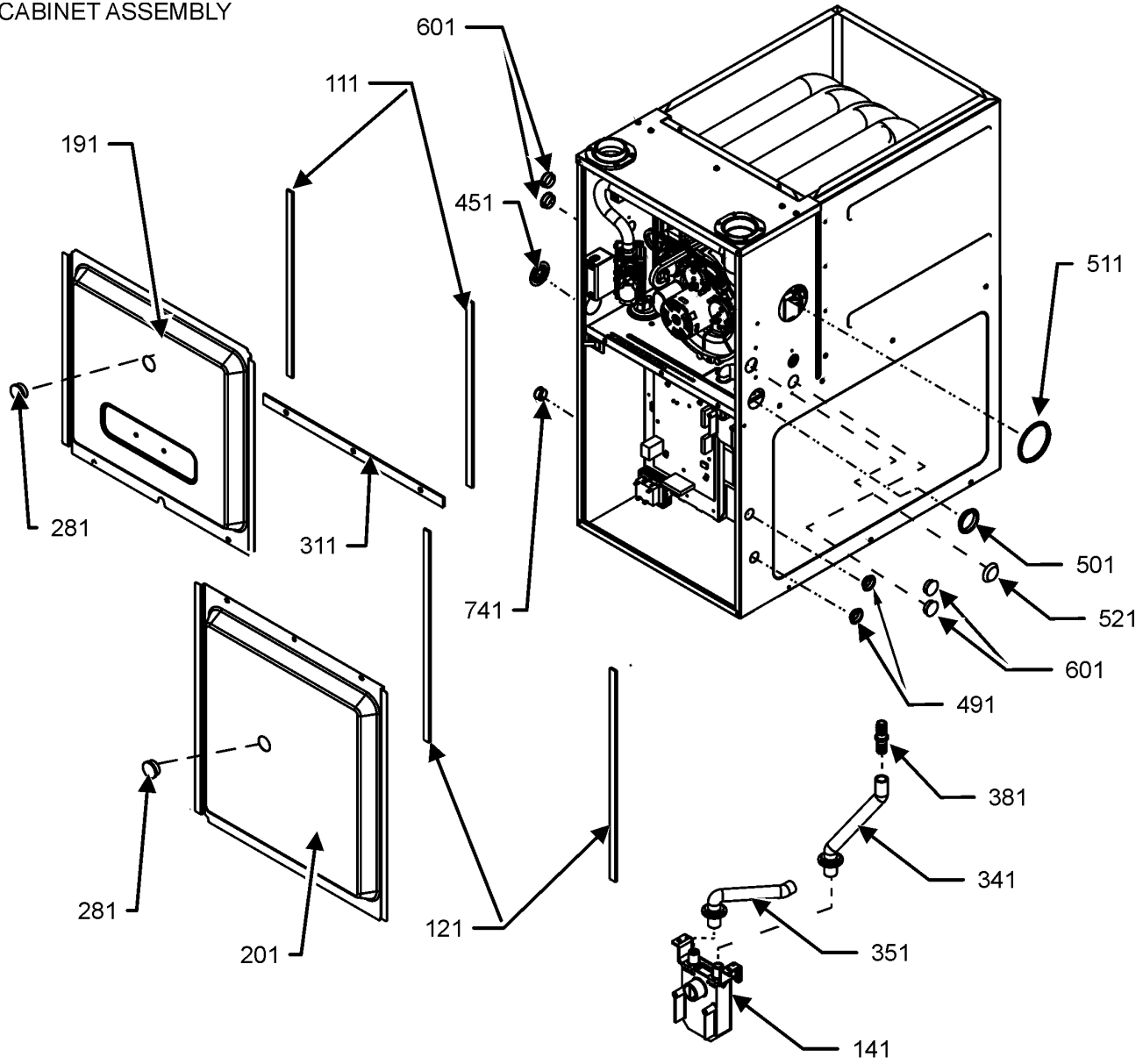
## Part

## No: Description:

20162904	*PRIMARY LIMIT-TEMPERATURE CONTROL (M9, M10, M11, M12)	0130F00643	PRESSURE SWITCH (M1, M2)																		
PCBBF167	2 STAGE IFC (M2, M4, M6, M8, M10, M12, M14, M16, M18)	20162903	PRIMARY LIMIT - BLUE (M1, M2, M3, M4, M5, M6, M15, M16)																		
0257F00443	ASSY, HEAT EXCHANGER (M1, M2)	0130F00036	PRIMARY LIMIT - PINK 180° (M17, M18)																		
0257F00450	ASSY. HEAT EXCHANGER (M3, M4)	20162906	PRIMARY LIMIT - WHITE (M7, M8, M13, M14)																		
0130F00038	AUX LIMIT - LT BLUE 120° (QTY 2)	0130F00443	SWITCH, PRESSURE (M11, M12, M15, M16)																		
0163F00017	BECKETT BURNER (QTY 2)	0130F00434	SWITCH, PRESSURE (M13, M14)																		
PCBBF164	CIRCUIT BOARD FURNACE (M1, M3, M5, M7, M9, M11, M13, M15, M17)	0130F00436	SWITCH, PRESSURE (M9, M10)																		
0130F00010	FLAME SENSOR	0130F00445	SWITCH, PRESSURE (M17, M18)																		
0151M00027	GAS VALVE	0130F00435	SWITCH, PRESSURE (M7, M8)																		
0257F00397	HEAT EXCHANGER ASSY (M15, M16)	0130M00140	TRANSFORMER 120V TO 24V, 40VA																		
0257F00394	HEAT EXCHANGER ASSY (M13, M14)	<b>SPECIAL PARTS</b>																			
0257F00415	HEAT EXCHANGER ASSY (M5, M6)	0161F00090	NAMEPLATE, DAIKIN																		
0257F00375	HEAT EXCHANGER ASSY (M7, M8)	<b>Expanded Model Nomenclature</b>																			
0257F00354	HEAT EXCHANGER ASSY. (M9, M10)	<table border="1"> <tbody> <tr><td>M1 - DM96TN0303ANAA</td></tr> <tr><td>M2 - DM96TN0303ANAB</td></tr> <tr><td>M3 - DM96TN0403ANAA</td></tr> <tr><td>M4 - DM96TN0403ANAB</td></tr> <tr><td>M5 - DM96TN0603ANAA</td></tr> <tr><td>M6 - DM96TN0603ANAB</td></tr> <tr><td>M7 - DM96TN0603BNAA</td></tr> <tr><td>M8 - DM96TN0603BNAB</td></tr> <tr><td>M9 - DM96TN0803BNAA</td></tr> <tr><td>M10 - DM96TN0803BNAB</td></tr> <tr><td>M11 - DM96TN0804CNAA</td></tr> <tr><td>M12 - DM96TN0804CNAB</td></tr> <tr><td>M13 - DM96TN1004CNAA</td></tr> <tr><td>M14 - DM96TN1004CNAB</td></tr> <tr><td>M15 - DM96TN1005CNAA</td></tr> <tr><td>M16 - DM96TN1005CNAB</td></tr> <tr><td>M17 - DM96TN1205DNAA</td></tr> <tr><td>M18 - DM96TN1205DNAB</td></tr> </tbody> </table>		M1 - DM96TN0303ANAA	M2 - DM96TN0303ANAB	M3 - DM96TN0403ANAA	M4 - DM96TN0403ANAB	M5 - DM96TN0603ANAA	M6 - DM96TN0603ANAB	M7 - DM96TN0603BNAA	M8 - DM96TN0603BNAB	M9 - DM96TN0803BNAA	M10 - DM96TN0803BNAB	M11 - DM96TN0804CNAA	M12 - DM96TN0804CNAB	M13 - DM96TN1004CNAA	M14 - DM96TN1004CNAB	M15 - DM96TN1005CNAA	M16 - DM96TN1005CNAB	M17 - DM96TN1205DNAA	M18 - DM96TN1205DNAB
M1 - DM96TN0303ANAA																					
M2 - DM96TN0303ANAB																					
M3 - DM96TN0403ANAA																					
M4 - DM96TN0403ANAB																					
M5 - DM96TN0603ANAA																					
M6 - DM96TN0603ANAB																					
M7 - DM96TN0603BNAA																					
M8 - DM96TN0603BNAB																					
M9 - DM96TN0803BNAA																					
M10 - DM96TN0803BNAB																					
M11 - DM96TN0804CNAA																					
M12 - DM96TN0804CNAB																					
M13 - DM96TN1004CNAA																					
M14 - DM96TN1004CNAB																					
M15 - DM96TN1005CNAA																					
M16 - DM96TN1005CNAB																					
M17 - DM96TN1205DNAA																					
M18 - DM96TN1205DNAB																					
0257F00292	HEAT EXCHANGER ASSY. (M17, M18)																				
0257F00290	HEAT EXCHANGER ASSY. (M11, M12)																				
0171M00007	ID BLOWER, 2 Stg (M1, M2, M3, M4, M5, M6)																				
0130F00008	IGNITOR-SINI 17 SEC																				
0130M00243	INTERLOCK SWITCH																				
10123527	MANUAL RESET LIMIT - ROS (M17, M18)																				
10123534	MANUAL RESET LIMIT - ROS (M13, M14, M15, M16)																				
10123539	MANUAL RESET LIMIT - ROS (M7, M8, M11, M12)																				
10123538	MANUAL RESET LIMIT - ROS (M1, M2, M3, M4)																				
10123517	MANUAL RESET LIMIT - ROS (M5, M6)																				
0130F00123	MANUAL RESET LIMIT - ROS (M9, M10)																				
0271F00507	MORRISON 11 X 10 BLOWER (M11, M12, M13, M14, M15, M16)																				
0271F00508	MORRISON 11 X 11 BLOWER (M17, M18)																				
0271F00506	MORRISON 11 X 8 BLOWER (M7, M8, M9, M10)																				
0131F00114M	MOTOR 1 HP W/O CONTROLLER (M13, M14, M15, M16, M17, M18)																				
0131F00112M	MOTOR 1/2 HP W/O CONTROLLER (M1, M2, M3, M4, M5, M6, M7, M8, M9, M10)																				
0131F00113M	MOTOR 3/4 HP W/O CONTROLLER (M11, M12)																				
0131F00232	MOTOR PROGRAMMED (M1, M2)																				
0131F00233	MOTOR PROGRAMMED (M3, M4)																				
0131F00240	MOTOR PROGRAMMED (M17, M18)																				
0131F00239	MOTOR PROGRAMMED (M15, M16)																				
0131F00238	MOTOR PROGRAMMED (M13, M14)																				
0131F00237	MOTOR PROGRAMMED (M11, M12)																				
0131F00235	MOTOR PROGRAMMED (M7, M8)																				
0131F00234	MOTOR PROGRAMMED (M5, M6)																				
0131F00236	MOTOR PROGRAMMED (M9, M10)																				
0171M00002	MOTOR-ID, BLOWER (M7, M8, M9, M10, M11, M12, M13, M14, M15, M16, M17, M18)																				
0130F00429	PRESSURE SWITCH (M7, M8, M9, M10, M11, M12, M13, M14, M15, M16, M17, M18)																				
0130F00646	PRESSURE SWITCH (M5, M6)																				
0130F00647	PRESSURE SWITCH (M1, M2, M3, M4)																				
0130F00644	PRESSURE SWITCH (M3, M4)																				
0130F00645	PRESSURE SWITCH (M5, M6)																				

# Cabinet Assembly

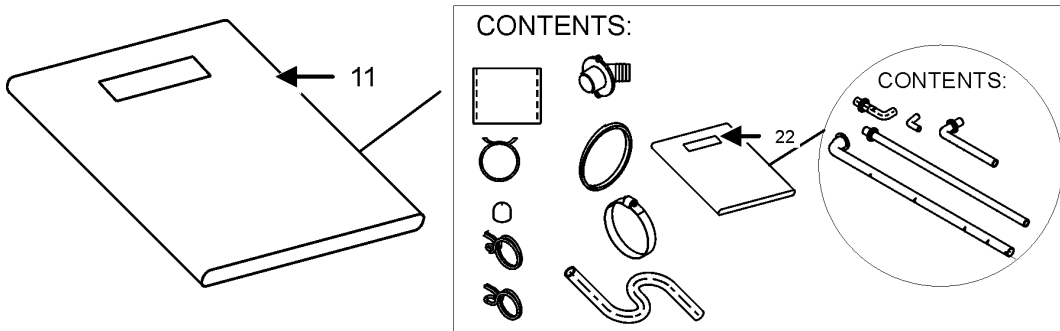
## CABINET ASSEMBLY



CABINET ASSEMBLY MAY DIFFER FROM WHAT IS SHOWN

## DRAIN TRAP ASSEMBLY

## DRAIN KIT ASSEMBLY

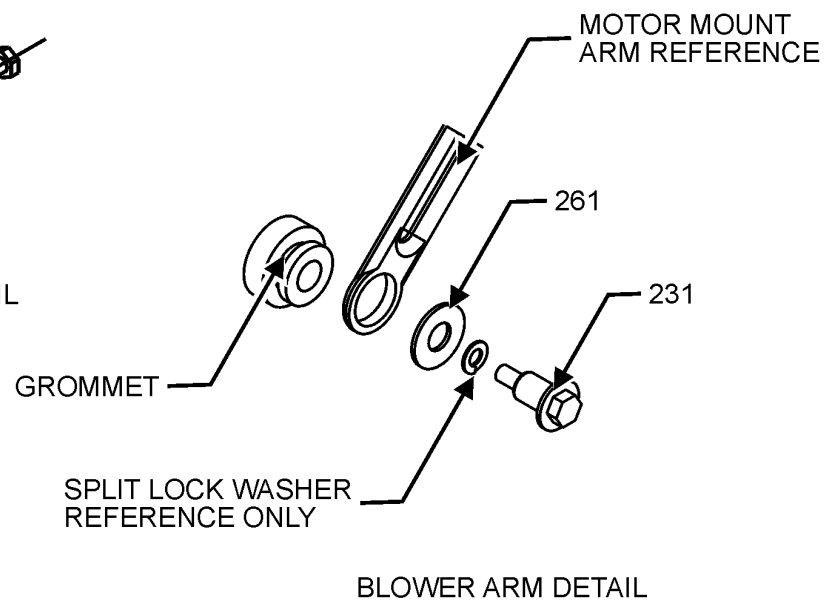
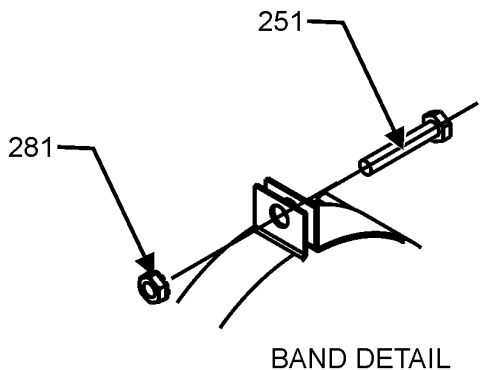
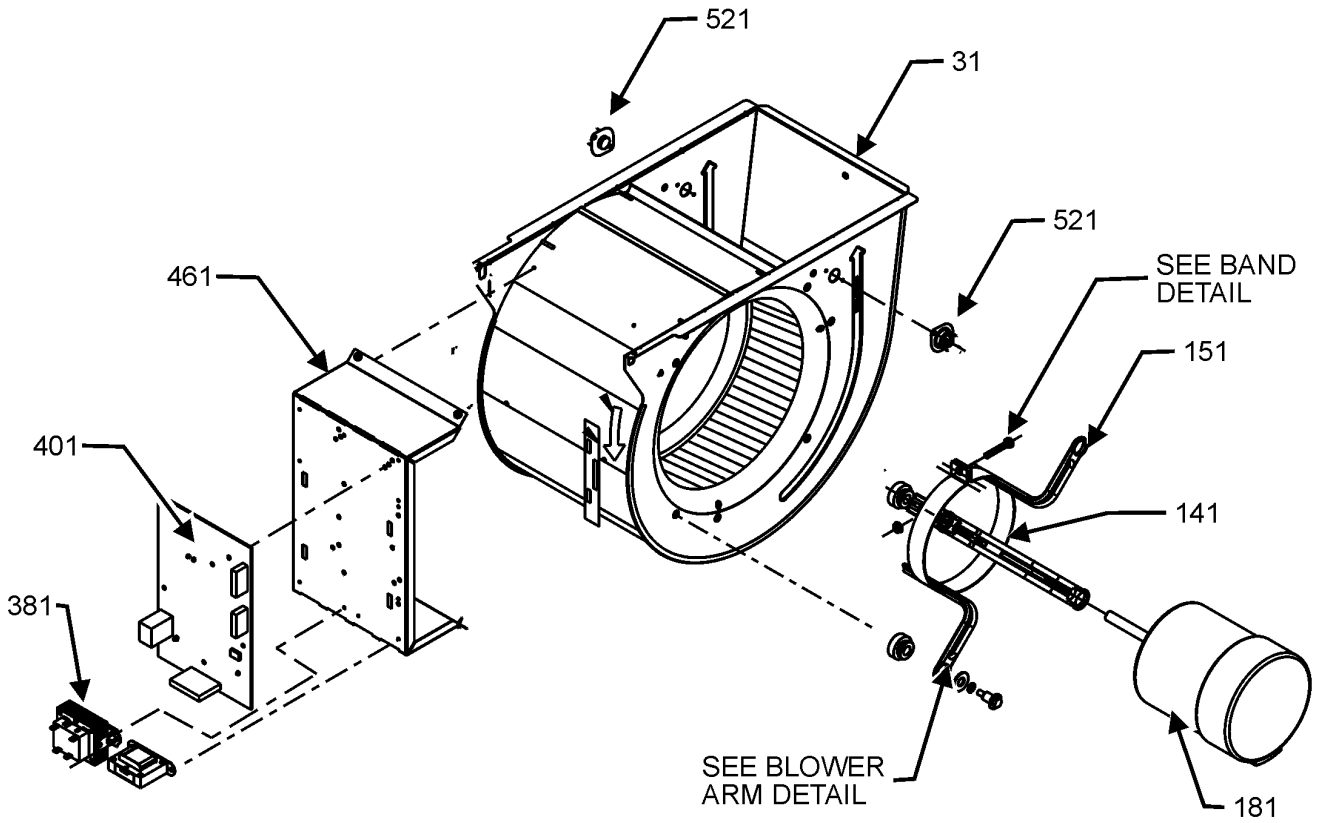


# Cabinet Assembly

Ref. Part No:	Description:	Ref. Part No:	Description:
<b>Image 1:</b>		<b>Expanded Model Nomenclature</b>	
11	0270F05402 DRAIN KIT ASSY	M1	- DM96TN0303ANAA
21	0270F05402 DRAIN KIT ASSY	M2	- DM96TN0303ANAB
111	0154F00024 GASKET (QTY 2)	M3	- DM96TN0403ANAA
121	0154F00025 GASKET (QTY 2)	M4	- DM96TN0403ANAB
141	0161F00046 DRAIN TRAP	M5	- DM96TN0603ANAA
191	0121F00337NG DOOR, ACCESS 17.5" PNT (M7, M8, M9, M10)	M6	- DM96TN0603ANAB
191	0121F00338NG DOOR, ACCESS 21" PNT (M11, M12, M13, M14, M15, M16)	M7	- DM96TN0603BNAA
191	0121F00339NG DOOR, ACCESS 24.5" PNT (M17, M18)	M8	- DM96TN0603BNAB
191	0121F00673NG PNT, DOOR, ACCESS 14" (M1, M2, M3, M4, M5,	M9	- DM96TN0803BNAA
201	0121F00340NG DOOR, BLOWER 17.5" PNT (M7, M8, M9, M10)	M10	- DM96TN0803BNAB
201	0121F00341NG DOOR, BLOWER 21" PNT (M11, M12, M13, M14, M15, M16)	M11	- DM96TN0804CNAA
201	0121F00342NG DOOR, BLOWER 24.5" PNT (M17, M18)	M12	- DM96TN0804CNAB
201	0121F00671NG PNT, DOOR, BLOWER 14" (M1, M2, M3, M4, M5, M6)	M13	- DM96TN1004CNAA
281	B1392139 VIEW PORT BUSHING-BLOWER DOOR (QTY 2)	M14	- DM96TN1004CNAB
311	0154F00020 GASKET, DECK (M7, M8, M9, M10)	M15	- DM96TN1005CNAA
311	0154F00021 GASKET, DECK (M11, M12, M13, M14, M15, M16)	M16	- DM96TN1005CNAB
311	0154F00022 GASKET, DECK (M17, M18)	M17	- DM96TN1205DNAA
311	0154F00063 GASKET, DECK (M1, M2, M3, M4, M5, M6)	M18	- DM96TN1205DNAB
341	0164F00017 HOSE-ELBOW/TRAP		
351	0164F00020 DRAIN HOSE (M1, M2, M3, M4, M5, M6)		
351	0164F00006 HOSE, COVER/TRAP (M17, M18)		
351	0164F00024 HOSE, COVER/TRAP (M7, M8, M9, M10, M11, M12, M13, M14, M15, M16)		
381	0161F00047 COUPLING, HOSE BARBED		
451	M0501301 PIPE GROMMET		
491	M0570808 BUTTON PLUG (QTY 3)		
501	M0570806 BUTTON PLUG		
511	M0570807 BUTTON PLUG		
521	0161M00027 PLUG, HOLE		
601	B1392021 PLASTIC PLUG, 1" (2713-BLK) (QTY 4)		
741	B1392104 UNIVERSAL BUSHING UB 875		
NS	M0310345 BUTTON PLUG (QTY 2)		
NS	0163M00319 HEX NUT-INSERT (QTY 3)		
NS	0161F00090 NAMEPLATE, DAIKIN		
NS	M0273904 RETAINER-SCREW (QTY 3)		
NS	M0209730 SCREW-DECORATIVE (QTY 3)		

# Blower Assembly

## BLOWER ASSEMBLY



BLOWER ASSEMBLY MAY DIFFER FROM WHAT IS SHOWN

# Blower Assembly

Ref. Part  
No: No:

Description:

Ref. Part  
No: No:

Description:

**Image 1:**

31	0271F00322	BLOWER SHELL & WHEEL ASSY (M1, M2, M3, M4, M5, M6)
31	0271F00507	MORRISON 11 X 10 BLOWER (M11, M12, M13, M14, M15, M16)
31	0271F00508	MORRISON 11 X 11 BLOWER (M17, M18)
31	0271F00506	MORRISON 11 X 8 BLOWER (M7, M8, M9, M10)
141	0121M00039	MOUNT BAND, MOTOR (HEAVY DUTY)
151	0163M00538	MOUNT ARM, MOTOR (QTY 3)
181	0131F00114M	MOTOR 1 HP W/O CONTROLLER (M13, M14, M15, M16, M17, M18)
181	0131F00112M	MOTOR 1/2 HP W/O CONTROLLER (M1, M2, M3, M4, M5, M6, M7, M8, M9, M10)
181	0131F00113M	MOTOR 3/4 HP W/O CONTROLLER (M11, M12)
181	0131F00232	MOTOR PROGRAMMED (M1, M2)
181	0131F00233	MOTOR PROGRAMMED (M3, M4)
181	0131F00234	MOTOR PROGRAMMED (M5, M6)
181	0131F00235	MOTOR PROGRAMMED (M7, M8)
181	0131F00236	MOTOR PROGRAMMED (M9, M10)
181	0131F00237	MOTOR PROGRAMMED (M11, M12)
181	0131F00238	MOTOR PROGRAMMED (M13, M14)
181	0131F00239	MOTOR PROGRAMMED (M15, M16)
181	0131F00240	MOTOR PROGRAMMED (M17, M18)
231	M0250565	TC SCREW 1.25" (QTY 3)
251	0163M00320	HEX HEAD ALL THREAD TAP BOLT
261	B1392918	WASHER, FLAT 1/4 ID X 1 OD (QTY 3)
281	B1393800	LOCKNUT, NYLON, INSERT 1/4, 20
381	0130M00140	TRANSFORMER 120V TO 24V, 40VA
401	PCBBF167	2 STAGE IFC (M2, M4, M6, M8, M10, M12, M14, M16, M18)
401	PCBBF164	CIRCUIT BOARD FURNACE (M1, M3, M5, M7, M9, M11, M13, M15, M17)
461	0121F00464	MOUNTING PLATE-CONTROLS
521	0130F00038	AUX LIMIT - LT BLUE 120° (QTY 2)
NS	0159F00160	CTM, MOTOR HARNESS
NS	M0282015	KEPS NUT (M13, M14, M15, M16, M17, M18)
NS	M0267144	MACHINE SCREW (M13, M14, M15, M16, M17, M18)
NS	B1392021	PLASTIC PLUG, 1" (2713-BLK) (QTY 4)
NS	B1392820	WASHER, SPLIT LOCK 1/4 BZ (M13, M14, M15, M16, M17, M18)
NS	0259F00024	WIRE HARNESS-BLOWER

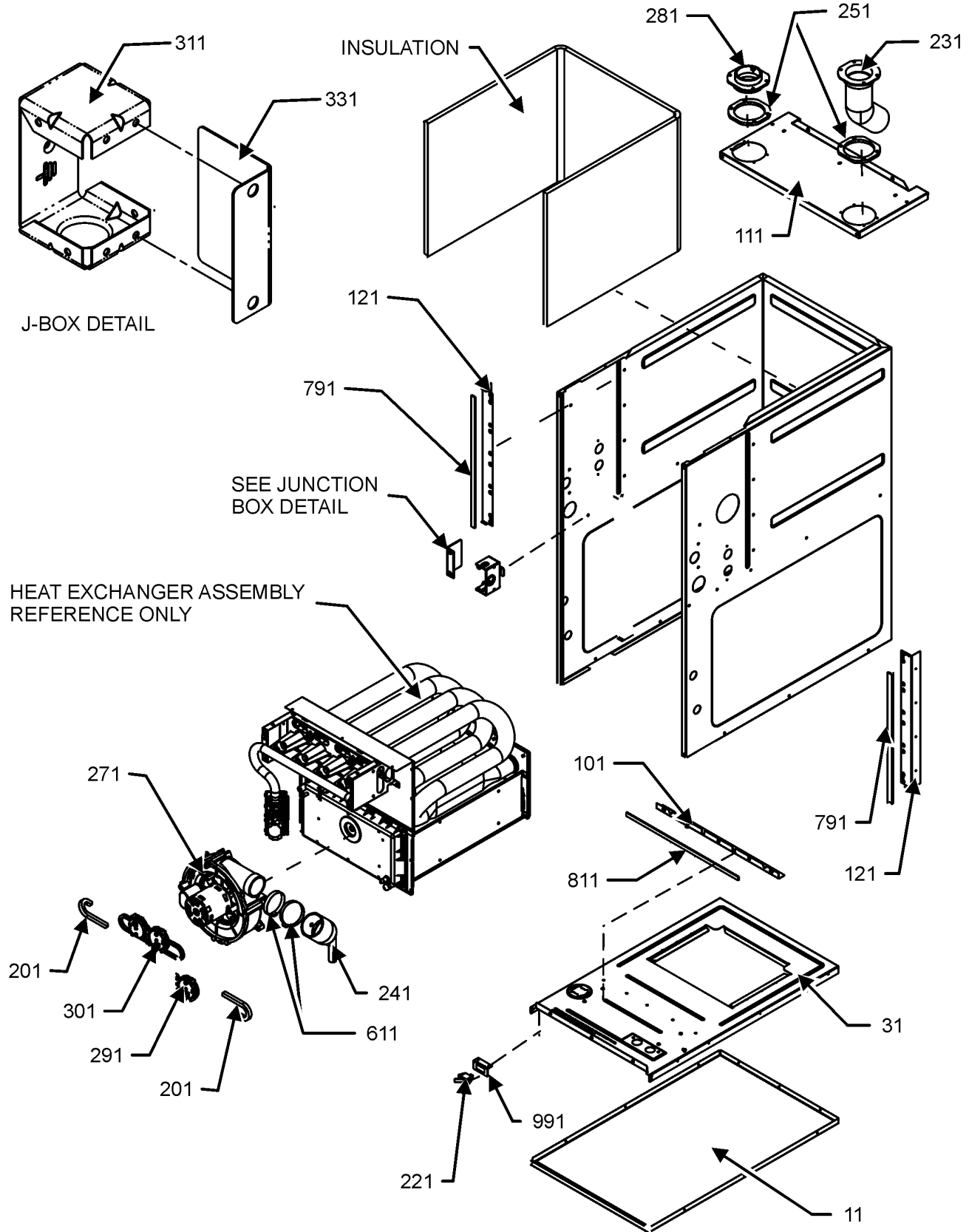
**Expanded Model Nomenclature**

M1 - DM96TN0303ANAA
M2 - DM96TN0303ANAB
M3 - DM96TN0403ANAA
M4 - DM96TN0403ANAB
M5 - DM96TN0603ANAA
M6 - DM96TN0603ANAB
M7 - DM96TN0603BNAA
M8 - DM96TN0603BNAB
M9 - DM96TN0803BNAA
M10 - DM96TN0803BNAB
M11 - DM96TN0804CNAA
M12 - DM96TN0804CNAB
M13 - DM96TN1004CNAA
M14 - DM96TN1004CNAB
M15 - DM96TN1005CNAA
M16 - DM96TN1005CNAB
M17 - DM96TN1205DNAA
M18 - DM96TN1205DNAB

To replace the Shaft end of motor order:  
 0131F00112M MOTOR 1/2 HP W/O CONTROLLER  
 0131F00113M MOTOR 3/4 HP W/O CONTROLLER  
 0131F00114M MOTOR 1 HP W/O CONTROLLER

# Chassis Assembly

## CHASSIS ASSEMBLY



CHASSIS ASSEMBLY MAY DIFFER FROM WHAT IS SHOWN

# Chassis Assembly

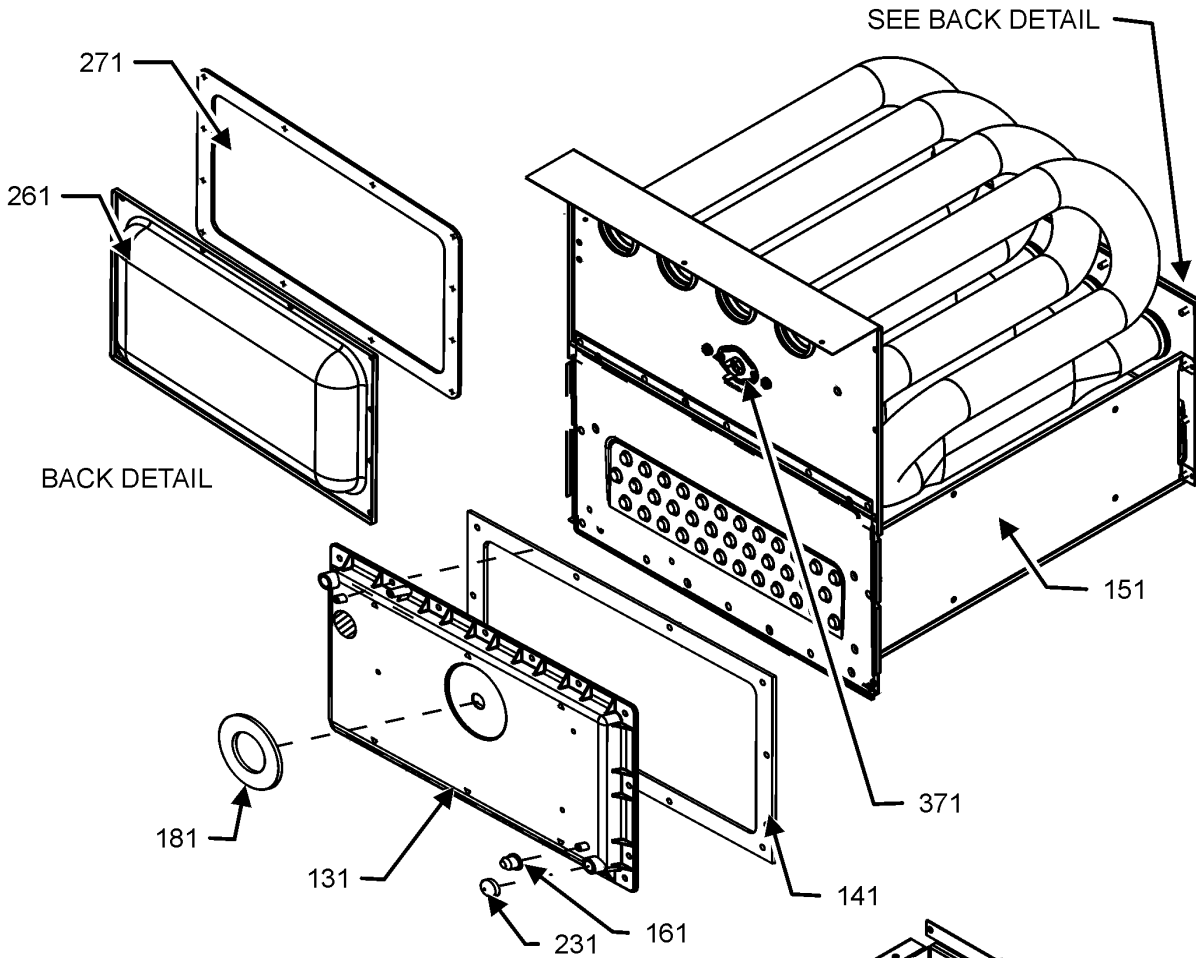
Ref. Part No:	Ref. Part No:	Description:	Description:
<b>Image 1:</b>		<b>Image 1:</b>	
11	0121F00530DG	BASEPAN, 17.5 (M7, M8, M9, M10)	NS 0160F00015 INSULATION, HT EXCHANGER 17.5" (M7, M8, M9, M10)
11	0121F00531DG	BASEPAN, 21 PNT (M11, M12, M13, M14, M15, M16)	
11	0121F00532DG	BASEPAN, 24.5 PNT (M17, M18)	NS 0160F00016 INSULATION, HT EXCHANGER 21" (M11, M12, M13, M14, M15, M16)
11	0121F00664DG	BASEPAN, 14 PNT (M1, M2, M3, M4, M5, M6)	
31	0121F00766	DECK- BLOWER 17.5" (M7, M8, M9, M10)	NS 0160F00017 INSULATION, HT EXCHANGER 24.5" (M17, M18)
31	0121F00767	DECK- BLOWER 21" (M11, M12, M13, M14, M15, M16)	NS M0326804 PLUG-TUBE
			NS 0159F00140 WIRE HARNESS (M1, M2, M3, M4)
31	0121F00768	DECK- BLOWER 24.5" (M17, M18)	NS 0159F00141 WIRE HARNESS (M5, M6, M7, M8, M9, M10, M11, M12, M13, M14, M15, M16, M17, M18)
31	0121F00663	DECK, BLOWER 14" (M1, M2, M3, M4, M5, M6)	
101	0121F00314	ANGLE, DECK (M7, M8, M9, M10)	
101	0121F00315	ANGLE, DECK (M11, M12, M13, M14, M15, M16)	
101	0121F00316	ANGLE, DECK (M17, M18)	
101	0121F00661	ANGLE, DECK (M1, M2, M3, M4, M5, M6)	
111	0121F00279DG	PAINTED TOP, FURNACE 17.5 (M7, M8, M9, M10)	
111	0121F00280DG	PAINTED TOP, FURNACE 21 (M11, M12, M13, M14, M15, M16)	
111	0121F00281DG	PAINTED TOP, FURNACE 24.5 (M17, M18)	
111	0121F00662DG	PNT, FURNACE TOP 14" (M1, M2, M3, M4, M5, M6)	
121	0121F00313	ANGLE, SIDE (QTY 2)	
201	0164M00121	HOSE- PRESSURE SW 16" (M1, M2, M3, M4, M5, M6)	
201	0164M00115	HOSE- PRESSURE SW 6" (M7, M8, M9, M10, M11, M12, M13, M14, M15, M16, M17, M18)	
201	0164M00116	HOSE- PRESSURE SW 7" (M1, M2, M3, M4, M5,	
221	0130M00243	INTERLOCK SWITCH	
231	0164F00002	FLUE PIPE W/BEND	
241	0164F00025	ELBOW-FLUE,UPFLOW	
251	0154F00041	FRESH AIR GASKET	
271	0171M00007	ID BLOWER, 2 Stg (M1, M2, M3, M4, M5, M6)	
271	0171M00002	MOTOR-ID, BLOWER (M7, M8, M9, M10, M11, M12, M13, M14, M15, M16, M17, M18)	
281	0161F00037	COUPLING	
291	0130F00429	PRESSURE SWITCH (M7, M8, M9, M10, M11, M12, M13, M14, M15, M16, M17, M18)	
291	0130F00646	PRESSURE SWITCH (M5, M6)	
291	0130F00647	PRESSURE SWITCH (M1, M2, M3, M4)	
301	0130F00643	PRESSURE SWITCH (M1, M2)	
301	0130F00644	PRESSURE SWITCH (M3, M4)	
301	0130F00645	PRESSURE SWITCH (M5, M6)	
301	0130F00434	SWITCH, PRESSURE (M13, M14)	
301	0130F00435	SWITCH, PRESSURE (M7, M8)	
301	0130F00436	SWITCH, PRESSURE (M9, M10)	
301	0130F00443	SWITCH, PRESSURE (M11, M12, M15, M16)	
301	0130F00445	SWITCH, PRESSURE (M17, M18)	
311	0161F00042	JUNCTION BOX PLA	
331	0161F00043	JUNCTION BOX LID	
611	0163M00460	CLAMP-HOSE (QTY 2)	
791	0154F00015	GASKET (QTY 2)	
811	0154F00014	GASKET (M7, M8, M9, M10)	
811	0154F00016	GASKET (M11, M12, M13, M14, M15, M16)	
811	0154F00064	GASKET (M1, M2, M3, M4, M5, M6)	
811	20194607	GASKET (M17, M18)	
991	0121F00389	BRACKET, DOOR SWITCH	
NS	0160F00025	INSULATION, HT EXCHANGER (M1, M2, M3, M4, M5, M6)	

## Expanded Model Nomenclature

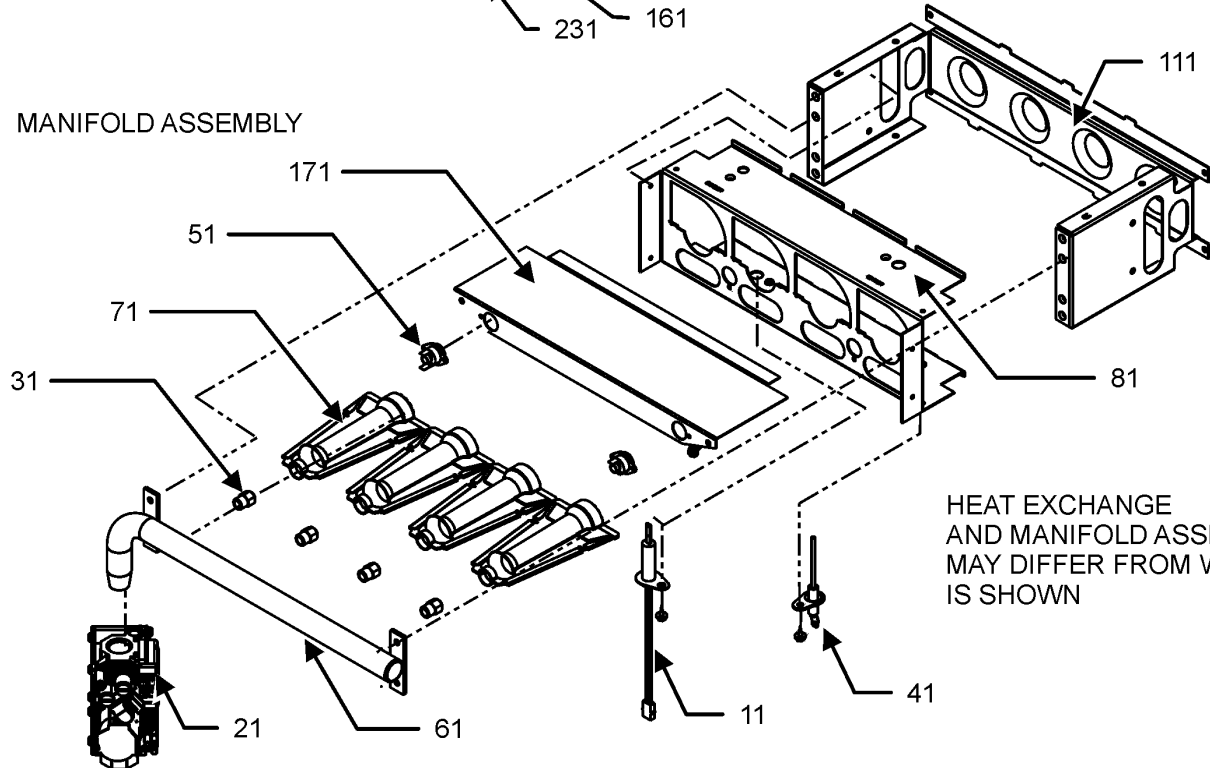
M1 - DM96TN0303ANAA
M2 - DM96TN0303ANAB
M3 - DM96TN0403ANAA
M4 - DM96TN0403ANAB
M5 - DM96TN0603ANAA
M6 - DM96TN0603ANAB
M7 - DM96TN0603BNAA
M8 - DM96TN0603BNAB
M9 - DM96TN0803BNAA
M10 - DM96TN0803BNAB
M11 - DM96TN0804CNAA
M12 - DM96TN0804CNAB
M13 - DM96TN1004CNAA
M14 - DM96TN1004CNAB
M15 - DM96TN1005CNAA
M16 - DM96TN1005CNAB
M17 - DM96TN1205DNAA
M18 - DM96TN1205DNAB

# Heat Exchange and Manifold Assembly

## HEAT EXCHANGE ASSEMBLY



## MANIFOLD ASSEMBLY



HEAT EXCHANGE AND MANIFOLD ASSEMBLY MAY DIFFER FROM WHAT IS SHOWN

# Heat Exchange and Manifold Assembly

Ref. Part No: No:	Description:	Ref. Part No: No:	Description:
<b>Image 1:</b>		<b>Image 1:</b>	
11	0130F00008	171	0121F00540
	IGNITOR-SINI 17 SEC		SHEILD, BURNER (M7, M8)
21	0151M00027	171	0121F00541
	GAS VALVE		SHEILD, BURNER (M9, M10, M11, M12)
31	0163F00019	171	0121F00542
	ORIFICE (M1, M2)		SHEILD, BURNER (M13, M14, M15, M16)
31	10716005	171	0121F00543
	ORIFICE (M3, M4, M5, M6, M7, M8, M9, M10, M11, M12, M13, M14, M15, M16, M17, M18)		SHEILD, BURNER (M17, M18)
41	0130F00010	171	0121F00755
	FLAME SENSOR		SHIELD, BURNER (M1, M2, M3, M4)
51	0130F00123	171	0121F00758
	MANUAL RESET LIMIT - ROS (M9, M10)		SHIELD, BURNER (M5, M6)
51	10123517	181	0154F00043
	MANUAL RESET LIMIT - ROS (M5, M6)		GASKET ID BLOWER
51	10123527	231	A1781105
	MANUAL RESET LIMIT - ROS (M17, M18)		CAP-VINYL .500
51	10123534	261	0121F00317
	MANUAL RESET LIMIT - ROS (M13, M14, M15, M16)		COVER, REAR (M7, M8, M9, M10)
51	10123538	261	0121F00318
	MANUAL RESET LIMIT - ROS (M1, M2, M3, M4)		COVER, REAR (M11, M12, M13, M14, M15, M16)
51	10123539	261	0121F00319
	MANUAL RESET LIMIT - ROS (M7, M8, M11, M12)		COVER, REAR (M17, M18)
61	0163F00007	261	0121F00670
	MANIFOLD (M1, M2, M3, M4)		COVER, REAR (M1, M2, M3, M4, M5, M6)
61	0163F00008	271	0154F00058
	MANIFOLD (M7, M8)		GASKET REAR CVR (M1, M2, M3, M4, M5, M6)
61	0163F00009	271	0154F00037
	MANIFOLD (M11, M12)		GASKET, REAR CVR (M7, M8, M9, M10)
61	0163F00010	271	0154F00038
	MANIFOLD (M13, M14, M15, M16)		GASKET, REAR CVR (M11, M12, M13, M14, M15, M16)
61	0163F00011	271	0154F00039
	MANIFOLD (M17, M18)		GASKET, REAR CVR (M17, M18)
61	0163F00014	371	20162904
	MANIFOLD (M9, M10)		*PRIMARY LIMIT-TEMPERATURE CONTROL (M9, M10, M11, M12)
61	0163F00037		
	MANIFOLD, 3B (M5, M6)		
71	0163F00017	371	20162903
	BECKETT BURNER (QTY 2)		PRIMARY LIMIT - BLUE (M1, M2, M3, M4, M5, M6, M15, M16)
81	0121F00456		
	BRACKET-BURNER 2 (M1, M2, M3, M4)		
81	0121F00455	371	0130F00036
	BRACKET-BURNER 3 (M5, M6, M7, M8)		PRIMARY LIMIT - PINK 180° (M17, M18)
81	0121F00454	371	20162906
	BRACKET-BURNER 4 (M9, M10, M11, M12)		PRIMARY LIMIT - WHITE (M7, M8, M13, M14)
81	0121F00453	NS	0121F00582
	BRACKET-BURNER 5 (M13, M14, M15, M16)		INSULATION, RETAINER (M1, M2, M3, M4, M5, M6)
81	0121F00451	NS	0121F00583
	BRACKET-BURNER 6 (M17, M18)		INSULATION, RETAINER (M7, M8, M9, M10)
111	0121F00469	NS	0121F00584
	ORIFICE BRACKET-BURNER 2 (M1, M2, M3, M4)		INSULATION, RETAINER (M11, M12, M13, M14, M15, M16)
111	0121F00468		
	ORIFICE BRACKET-BURNER 3 (M5, M6, M7, M8)		
111	0121F00467	NS	0121F00585
	ORIFICE BRACKET-BURNER 4 (M9, M10, M11, M12)		INSULATION, RETAINER (M17, M18)
111	0121F00466	NS	0121F00439
	ORIFICE BRACKET-BURNER 5 (M13, M14, M15, M16)		PRIMARY LIMIT-HEAT SHIELD
111	0121F00465	NS	0121F00355
	ORIFICE BRACKET-BURNER 6 (M17, M18)		SHIELD, COIL (QTY 2)
131	0161F00072	<b>Expanded Model Nomenclature</b>	
	COVER FRONT (M15, M16)	M1 - DM96TN0303ANAA	
131	0161F00024	M2 - DM96TN0303ANAB	
	COVER, FRONT (M9, M10)	M3 - DM96TN0403ANAA	
131	0161F00030	M4 - DM96TN0403ANAB	
	COVER, FRONT (M11, M12)	M5 - DM96TN0603ANAA	
131	0161F00054	M6 - DM96TN0603ANAB	
	COVER, FRONT (M7, M8)	M7 - DM96TN0603BNA A	
131	0161F00063	M8 - DM96TN0603BNAB	
	COVER, FRONT (M17, M18)	M9 - DM96TN0803BNA A	
131	0161F00081	M10 - DM96TN0803BNAB	
	COVER, FRONT (M1, M2)	M11 - DM96TN0804CNA A	
131	0161F00082	M12 - DM96TN0804CNAB	
	COVER, FRONT (M3, M4)	M13 - DM96TN1004CNA A	
131	0161F00083	M14 - DM96TN1004CNAB	
	COVER, FRONT (M5, M6)	M15 - DM96TN1005CNA A	
131	0161F00065	M16 - DM96TN1005CNAB	
	COVER,FRONT (M13, M14)	M17 - DM96TN1205DNA A	
141	0154F00026	M18 - DM96TN1205DNAB	
	GASKET FRONT COVER (M7, M8, M9, M10)		
141	0154F00030		
	GASKET FRONT COVER (M11, M12, M13, M14, M15, M16)		
141	0154F00034		
	GASKET FRONT COVER (M17, M18)		
141	0154F00062		
	GASKET FRONT COVER (M1, M2, M3, M4, M5, M6)		
151	0257F00443		
	ASSY, HEAT EXCHANGER (M1, M2)		
151	0257F00450		
	ASSY. HEAT EXCHANGER (M3, M4)		
151	0257F00375		
	HEAT EXCHANGER ASSY (M7, M8)		
151	0257F00394		
	HEAT EXCHANGER ASSY (M13, M14)		
151	0257F00397		
	HEAT EXCHANGER ASSY (M15, M16)		
151	0257F00415		
	HEAT EXCHANGER ASSY (M5, M6)		
151	0257F00290		
	HEAT EXCHANGER ASSY. (M11, M12)		
151	0257F00292		
	HEAT EXCHANGER ASSY. (M17, M18)		
151	0257F00354		
	HEAT EXCHANGER ASSY. (M9, M10)		
161	M0326804		
	TUBE PLUG		