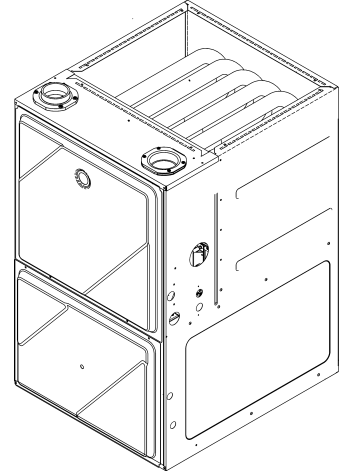


---

**DM96SN 96% Multi Position Furnace**

DM96SN0403BUAA  
DM96SN0603BUAA  
DM96SN0805CUAA



This manual is to be used by qualified technicians only.

# Important Information

---

## Index

Functional Parts List .....	3
Illustration and Parts .....	4 - 11

*Views shown are for parts illustrations only, not servicing procedures.*

### Text Codes:

AR - As Required

NA - Not Available

NS - Not Shown

00000000 - See Note

QTY - Quantity Example (QTY 3) (If Quantity not shown, Quantity = 1)

M - Model Example (M1) (If M Code not shown, then part is used on all Models)

### Expanded Model Nomenclature:

Example
M1 - Model#1
M2 - Model#2
M3 - Model#3

Daikin Manufacturing Company, L.P. is not responsible for personal injury or property damage resulting from improper service. Review all service information before beginning repairs.

Warranty service must be performed by an authorized technician, using authorized factory parts. If service is required after the warranty expires, Daikin Manufacturing Company, L.P. also recommends contacting an authorized technician and using authorized factory parts.

Daikin Manufacturing Company, L.P. reserves the right to discontinue, or change at any time, specifications or designs without notice or without incurring obligations.

For assistance within the U.S.A. contact:

Homeowner Support  
Daikin North America, LLC  
19001 Kermier Road  
Waller, Texas 77484  
855-770-5678-Telephone  
713-863-2382-Facsimile

For assistance outside the U.S.A. contact:

International Division  
Daikin North America, LLC  
19001 Kermier Road  
Waller, Texas 77484  
713-861-2500-Telephone  
713-863-2382-Facsimile

# Functional Parts

## Part

## No: Description:

---

0130F00803	90% PRESSURE TRANSDUCER
0271F00462	BLOWER HOUSING ASSY (M1)
0130F00762	FLAME SENSOR
0151M00094	GAS VALVE
0154F00069	GASKET LIMIT ULN
0257F00436	HEAT EXCHANGER ASSY (M3)
0257F00434	HEAT EXCHANGER ASSY (M2)
0257F00432	HEAT EXCHANGER ASSY (M1)
0130M00243	INTERLOCK SWITCH
0130F00071	LIMIT, PRIMARY (M2)
20162903	LIMIT, PRIMARY (M1, M3)
0130F00037	LIMIT, PRIMARY, 150, GRAY (QTY 2)
0271F00507	MORRISON 11 X 10 BLOWER (M3)
0271F00506	MORRISON 11 X 8 BLOWER (M2)
0131F00307	MOTOR PROGRAMMED (M3)
0131F00305	MOTOR PROGRAMMED (M1)
0131F00306	MOTOR PROGRAMMED (M2)
0171M00009	MOTOR, ID BLOWER
PCBBF241	PCB IGNITION HIS
0130F00596	SWITCH HIGH LIMIT ULN
0130F00596	SWITCH HIGHLIMIT ULN
0130F00684	SWITCH, PRESSURE
0130M00140	TRANSFORMER 120V TO 24V, 40VA
0130F00717	ULN IGNITOR
0150M00043	WHEEL, BLOWER (10 X 8) (M1)

### SPECIAL PARTS

0161F00090 NAMEPLATE, DAIKIN

### Expanded Model Nomenclature

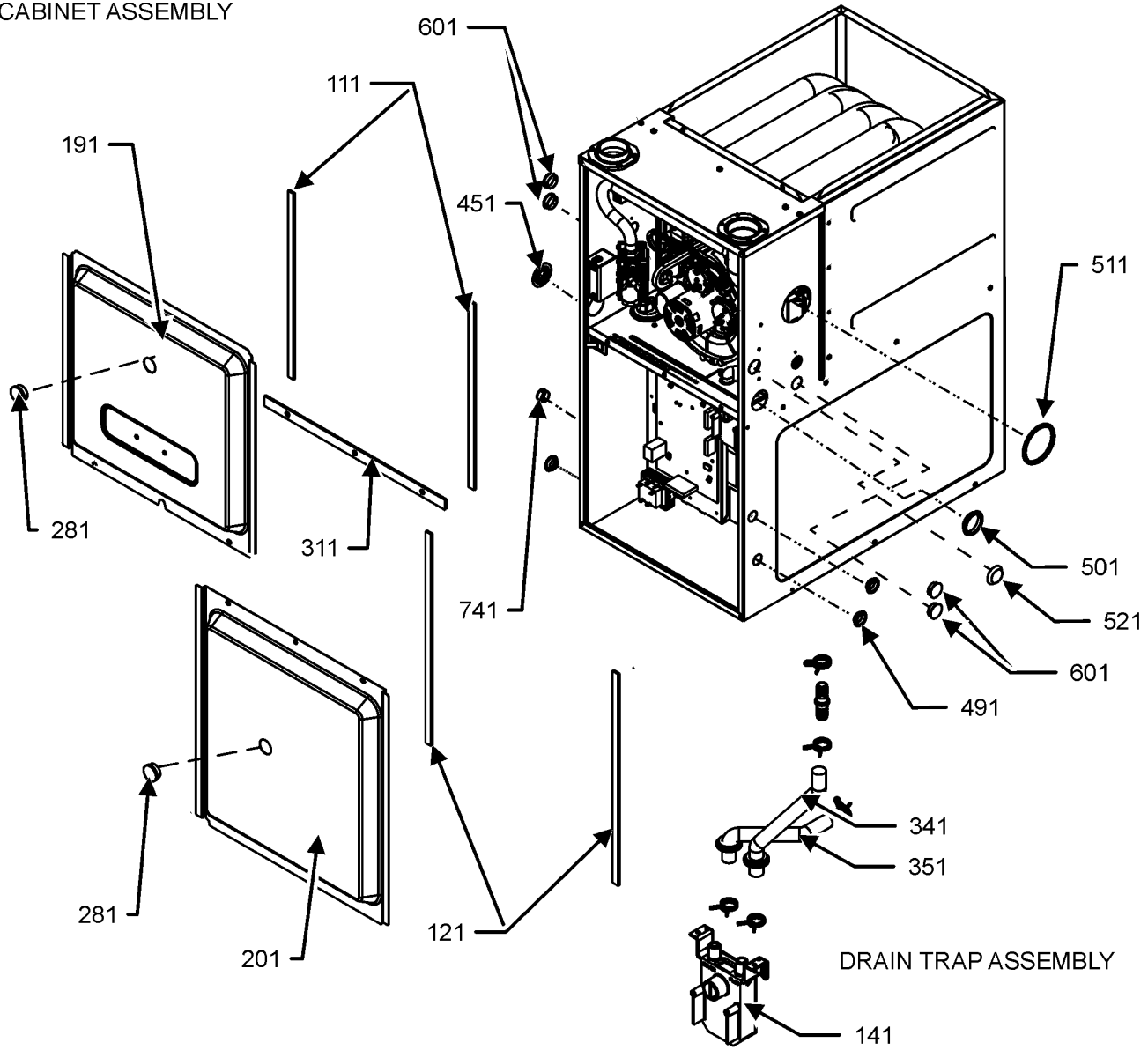
M1 - DM96SN0403BUAA

M2 - DM96SN0603BUAA

M3 - DM96SN0805CUAA

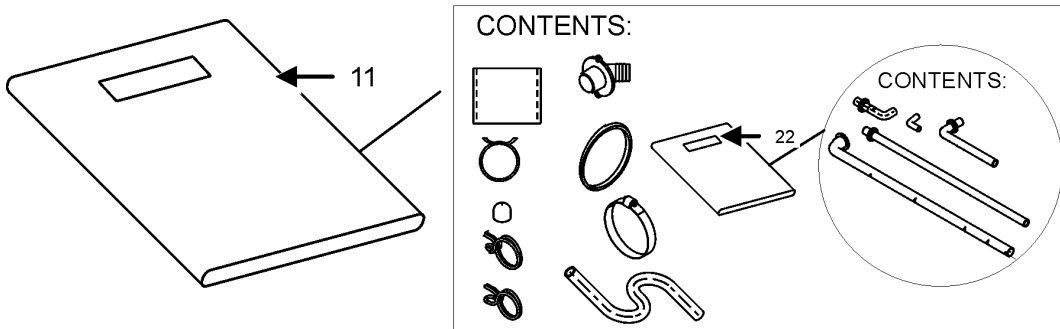
# Cabinet Assembly

## CABINET ASSEMBLY



CABINET ASSEMBLY MAY DIFFER FROM WHAT IS SHOWN

## DRAIN KIT ASSEMBLY



# Cabinet Assembly

Ref. Part No:	Part No:	Description:	Ref. Part No:	Part No:	Description:
---------------	----------	--------------	---------------	----------	--------------

**Image 1:**

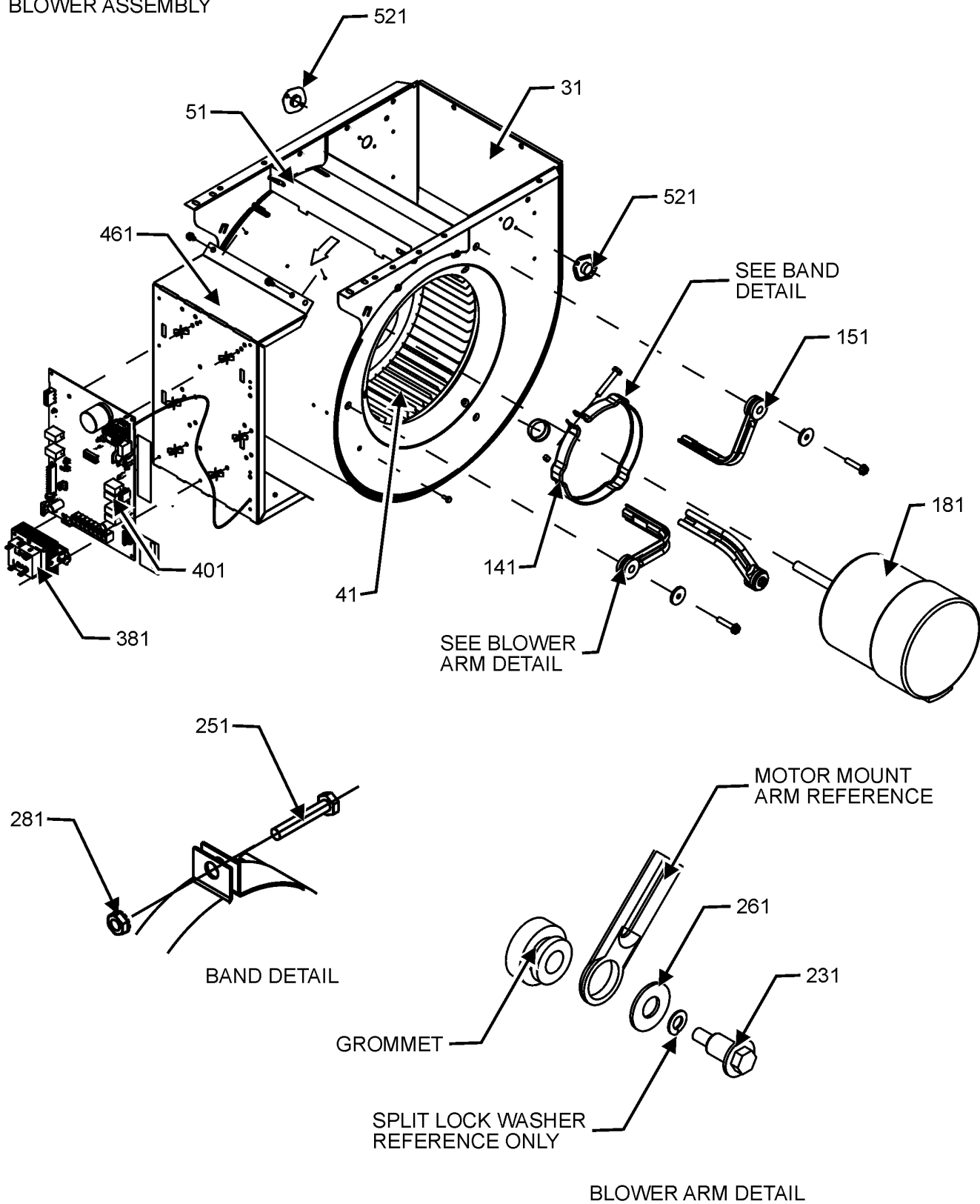
11	0270F05402	DRAIN KIT ASSY			
21	0270F05402	DRAIN KIT ASSY			
111	0154F00024	GASKET (QTY 2)			
121	0154F00025	GASKET (QTY 2)			
141	0161F00046	DRAIN TRAP			
191	0121F00338NG	DOOR ACCESS 21" PNT (M3)			
191	0121F00337NG	DOOR, ACCESS 17.5" PNT (M1, M2)			
201	0121F00340NG	DOOR, BLOWER 17.5" PNT (M1, M2)			
201	0121F00341NG	DOOR, BLOWER 21" PNT (M3)			
281	B1392139	VIEW PORT BUSHING-BLOWER DOOR (QTY 2)			
311	0154F00020	GASKET, DECK (M1, M2)			
311	0154F00021	GASKET, DECK (M3)			
341	0164F00017	HOSE-ELBOW/TRAP			
351	0164F00024	HOSE, COVER/TRAP			
451	M0501301	PIPE GROMMET			
491	M0570808	BUTTON PLUG (QTY 3)			
501	M0570806	BUTTON PLUG			
511	M0570807	BUTTON PLUG			
521	0161M00027	PLUG, HOLE			
601	B1392021	PLASTIC PLUG, 1" (2713-BLK) (QTY 4)			
741	B1392104	UNIVERSAL BUSHING UB 875			
NS	M0310345	BUTTON PLUG (QTY 2)			
NS	0163M00319	HEX NUT-INSERT (QTY 3)			
NS	0161F00090	NAMEPLATE, DAIKIN			
NS	M0273904	RETAINER-SCREW (QTY 3)			
NS	M0209730	SCREW-DECORATIVE (QTY 3)			

**Expanded Model Nomenclature**

M1 - DM96SN0403BUAA
M2 - DM96SN0603BUAA
M3 - DM96SN0805CUAA

# Blower Assembly

BLOWER ASSEMBLY



BLOWER ASSEMBLY MAY DIFFER FROM WHAT IS SHOWN

# Blower Assembly

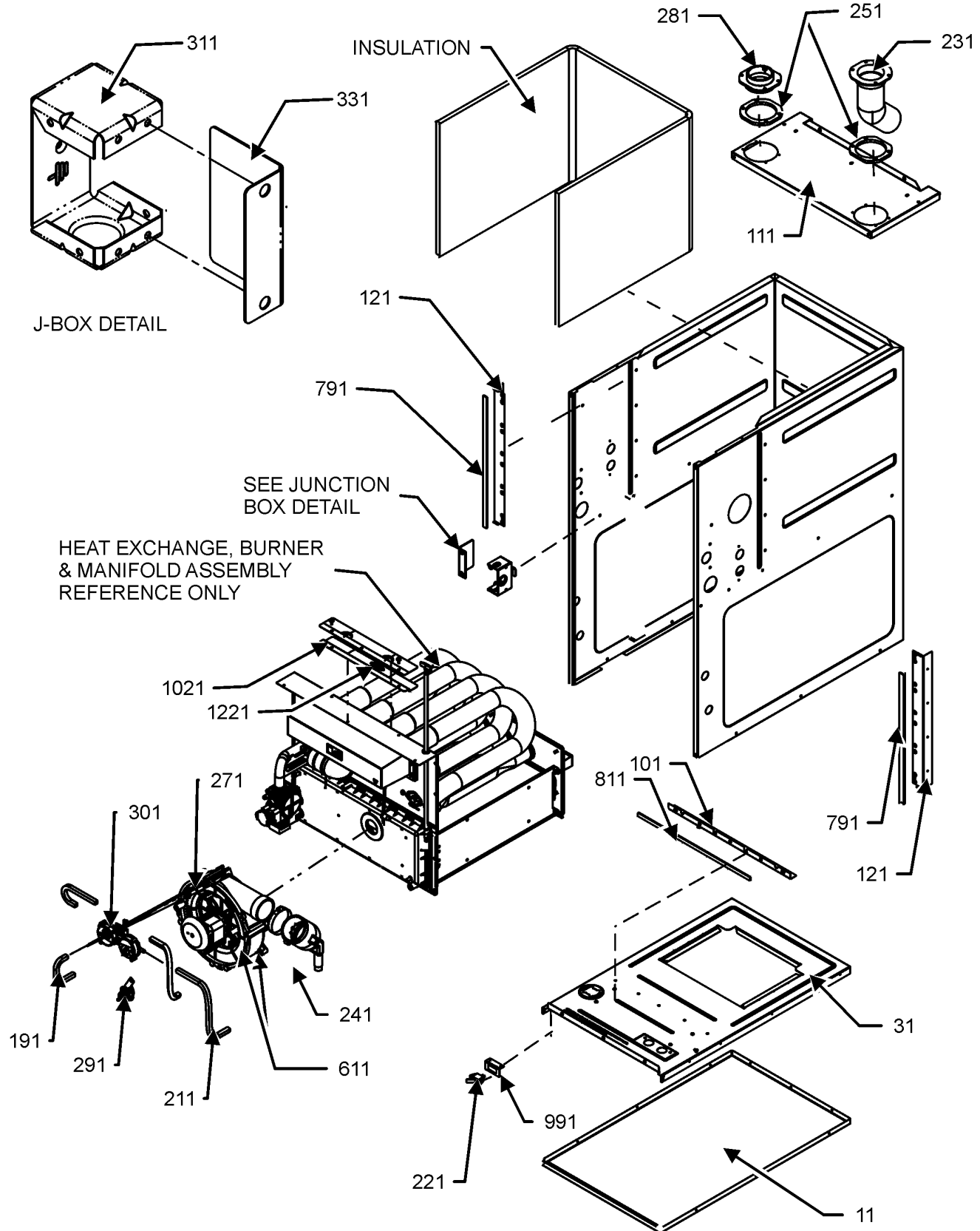
Ref. Part No:	Ref. Part No:	Description:	Description:
<b>Image 1:</b>			
31	0271F00462	BLOWER HOUSING ASSY (M1)	
31	0271F00507	MORRISON 11 X 10 BLOWER (M3)	
31	0271F00506	MORRISON 11 X 8 BLOWER (M2)	
41	0150M00043	WHEEL, BLOWER (10 X 8) (M1)	
51	764740	BLOWER BLOCK-OFF 10 X 8 (M1)	
141	0121M00038	MOUNT BAND, MOTOR (M1, M2)	
141	0121M00039	MOUNT BAND, MOTOR (HEAVY DUTY) (M3)	
151	B1376857	MOTOR MOUNT ARM (M1, M2)	
151	0163M00538	MOUNT ARM, MOTOR (M3)	
181	0131F00305	MOTOR PROGRAMMED (M1)	
181	0131F00306	MOTOR PROGRAMMED (M2)	
181	0131F00307	MOTOR PROGRAMMED (M3)	
231	M0250565	TC SCREW 1.25" (QTY 3)	
251	0163M00320	HEX HEAD ALL THREAD TAP BOLT (M3)	
251	B1393323	SCREW, MACH HWH 1/4-20X1 1/2 BZ (M1, M2)	
261	B1392918	WASHER, FLAT 1/4 ID X 1 OD (QTY 3)	
281	B1393800	LOCKNUT, NYLON, INSERT 1/4, 20 (M1, M2)	
281	M0282015	NUT KEPS (M3)	
381	0130M00140	TRANSFORMER 120V TO 24V, 40VA	
401	PCBBF241	PCB IGNITION HIS	
461	0121F00794	MOUNTING PLATE - CONTROLS	
521	0130F00037	LIMIT, PRIMARY, 150, GRAY (QTY 2)	
NS	0159F00119	CTM, MOTOR HARNESS	
NS	B1392021	PLASTIC PLUG, 1" (2713-BLK) (QTY 4)	
NS	B1392820	WASHER, SPLIT LOCK 1/4 BZ (M3)	
NS	0259F00024	WIRE HARNESS-BLOWER	

## Expanded Model Nomenclature

M1 - DM96SN0403BUAA
M2 - DM96SN0603BUAA
M3 - DM96SN0805CUAA

# Chassis Assembly

## CHASSIS ASSEMBLY



CHASSIS ASSEMBLY MAY DIFFER FROM WHAT IS SHOWN

# Chassis Assembly

Ref. Part No:	Part No:	Description:	Ref. Part No:	Part No:	Description:
---------------	----------	--------------	---------------	----------	--------------

**Image 1:**

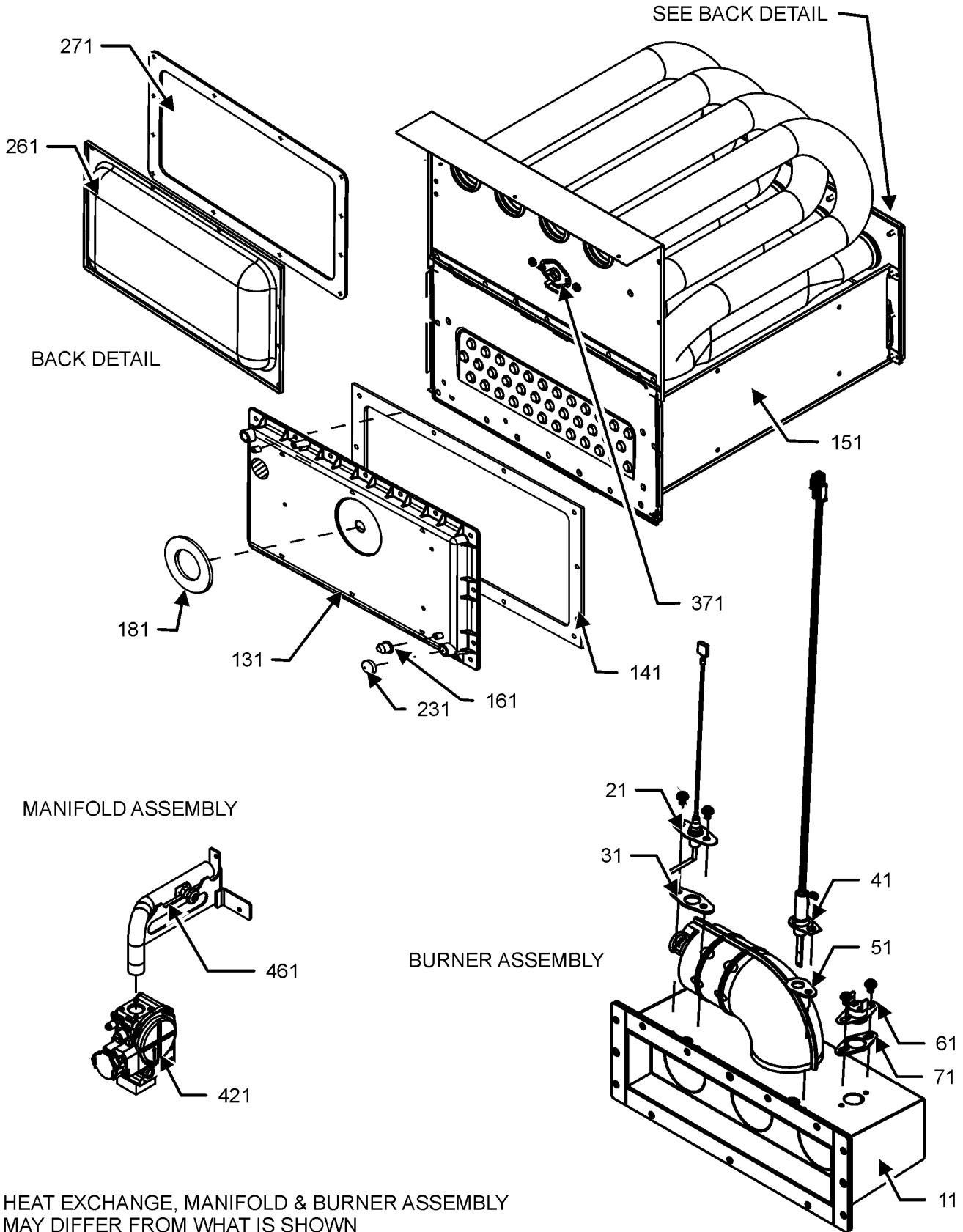
11	0121F00530DG	BASEPAN, 17.5 (M1, M2)
11	0121F00531DG	BASEPAN, 21 PNT (M3)
31	0121F00533	DECK-BLOWER 17.5" (M1, M2)
31	0121F00534	DECK-BLOWER 21" (M3)
101	0121F00314	ANGLE, DECK (M1, M2)
101	0121F00315	ANGLE, DECK (M3)
111	0121F00279DG	PAINTED TOP, FURNACE 17.5 (M1, M2)
111	0121F00280DG	PAINTED TOP, FURNACE 21 (M3)
121	0121F00313	ANGLE, SIDE (QTY 2)
191	0164M00115	HOSE- PRESSURE SW 6"
211	0164M00119	HOSE- PRESSURE SW 12"
221	0130M00243	INTERLOCK SWITCH
231	0164F00002	FLUE PIPE W/BEND
241	0164F00025	ELBOW-FLUE,UPFLOW
251	0154F00041	FRESH AIR GASKET (QTY 2)
271	0171M00009	MOTOR, ID BLOWER
281	0161F00037	COUPLING
291	0130F00803	90% PRESSURE TRANSDUCER
301	0130F00684	SWITCH, PRESSURE
311	0161F00042	JUNCTION BOX PLA
331	0161F00043	JUNCTION BOX LID
611	0163M00460	CLAMP-HOSE (QTY 2)
791	0154F00015	GASKET (QTY 2)
811	0154F00014	GASKET (M1, M2)
811	0154F00016	GASKET (M3)
991	0121F00389	BRACKET, DOOR SWITCH
1021	0121F00704	BAFFLE, AIR ULN
1221	0130F00596	SWITCH HIGHLIMIT ULN
NS	0121F00415	BAFFLE, AIR FURN
NS	0154F00041	FRESH AIR GASKET (QTY 2)
NS	0160F00015	INSULATION, HT EXCHANGER 17.5" (M1, M2)
NS	0160F00016	INSULATION, HT EXCHANGER 21" (M3)
NS	M0326804	PLUG-TUBE
NS	0259F00277	WIRE HARNESS-BAFFLE LIMIT

**Expanded Model Nomenclature**

M1 - DM96SN0403BUAA
M2 - DM96SN0603BUAA
M3 - DM96SN0805CUAA

# Heat Exchange Assembly

## HEAT EXCHANGE ASSEMBLY



HEAT EXCHANGE, MANIFOLD & BURNER ASSEMBLY  
MAY DIFFER FROM WHAT IS SHOWN

# Heat Exchange Assembly

Ref. Part No:	Part No:	Description:	Ref. Part No:	Part No:	Description:
<b>Image 1:</b>					
11	0163F00055	ULN Burner Assy (M1)			
11	0163F00056	ULN Burner Assy (M2)			
11	0163F00057	ULN Burner Assy (M3)			
21	0130F00762	FLAME SENSOR			
31	0154F00068	GASKET ULN FLAME SENOR			
41	0130F00717	ULN IGNITOR			
51	0154F00067	GASKET ULN IGNITOR			
61	0130F00596	SWITCH HIGH LIMIT ULN			
71	0154F00069	GASKET LIMIT ULN			
131	0161F00073	COVER, FRONT (M1, M2)			
131	0161F00074	COVER, FRONT (M3)			
141	0154F00026	GASKET FRONT COVER (M1, M2)			
141	0154F00030	GASKET FRONT COVER (M3)			
151	0257F00432	HEAT EXCHANGER ASSY (M1)			
151	0257F00434	HEAT EXCHANGER ASSY (M2)			
151	0257F00436	HEAT EXCHANGER ASSY (M3)			
161	M0326804	TUBE PLUG			
181	0154F00066	GASKET ID ORIFICE			
231	A1781105	CAP-VINYL .500			
261	0121F00317	COVER, REAR (M1, M2)			
261	0121F00318	COVER, REAR (M3)			
271	0154F00046	GASKET, REAR CVR (M1, M2)			
271	0154F00047	GASKET, REAR CVR (M3)			
371	0130F00071	LIMIT, PRIMARY (M2)			
371	20162903	LIMIT, PRIMARY (M1, M3)			
421	0151M00094	GAS VALVE			
461	0263F00007	ULN MANIFOLD ASSY (M1)			
461	0263F00008	ULN MANIFOLD ASSY (M2)			
461	0263F00009	ULN MANIFOLD ASSY (M3)			
NS	0154F00051	GASKET, BRNR FRONT (M1)			
NS	0154F00052	GASKET, BRNR FRONT (M2)			
NS	0154F00053	GASKET, BRNR FRONT (M3)			
NS	0121F00743	HEAT SHIELD PRIMARY LIMIT			
NS	0121F00583	INSULATION, RETAINER (M1, M2)			
NS	0121F00584	INSULATION, RETAINER (M3)			

## Expanded Model Nomenclature

M1 - DM96SN0403BUAA
M2 - DM96SN0603BUAA
M3 - DM96SN0805CUAA