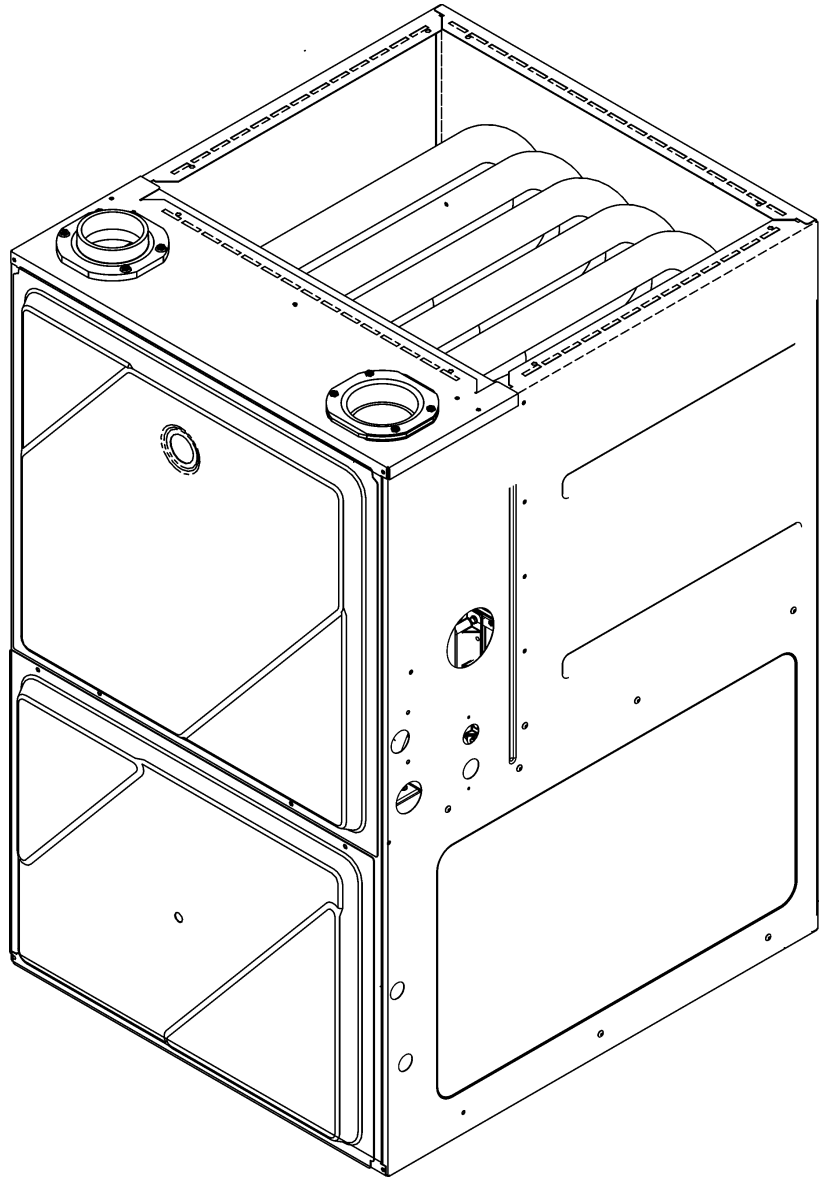


DM96HS 96% PSC Up Flow Furnace

DM96HS0403ANAA



This manual is to be used by qualified technicians only.

Important Information

Index

Functional Parts List	3
Illustration and Parts	4 - 11

Views shown are for parts illustrations only, not servicing procedures.

Text Codes:

AR - As Required

NA - Not Available

NS - Not Shown

00000000 - See Note

QTY - Quantity Example (QTY 3) (If Quantity not shown, Quantity = 1)

M - Model Example (M1) (If M Code not shown, then part is used on all Models)

Expanded Model Nomenclature:

Example M1 - Model#1 M2 - Model#2 M3 - Model#3

Daikin Company, L.P. is not responsible for personal injury or property damage resulting from improper service. Review all service information before beginning repairs.

Warranty service must be performed by an authorized technician, using authorized factory parts. If service is required after the warranty expires, Daikin Company, L.P. also recommends contacting an authorized technician and using authorized factory parts.

Daikin Company, L.P. reserves the right to discontinue, or change at any time, specifications or designs without notice or without incurring obligations.

For assistance within the U.S.A. contact:

Homeowner Support
Daikin North America, LLC
19001 Kermier Road
Waller, Texas 77484
855-770-5678-Telephone
713-863-2382-Facsimile

For assistance outside the U.S.A. contact:

International Division
Daikin North America, LLC
19001 Kermier Road
Waller, Texas 77484
713-861-2500-Telephone
713-863-2382-Facsimile

Functional Parts

Part

No: Description:

0163F00017	BECKETT BURNER (QTY 2)
0271F00330	BLOWER HSG ASSY.
CAP125000370LA	CAPACITOR 12.5/370V
0130F00010	FLAME SENSOR
0151M00027	GAS VALVE
0257F00418	HEAT EXCHANGER ASSY
0130F00008	IGNITOR-SINI 17 SEC
0130M00243	INTERLOCK SWITCH
10123533	MANUAL RESET LIMIT-YELLOW
0131F00027	MOTOR, 1/3HP, 4SP, 6PL
PCBBF132	PCB 2STAGE HYBRID FURNACE CNTL
0130F00642	PRESSURE SWITCH
20162903	PRIMARY LIMIT - BLUE
0130F00038	PRIMARY LIMIT - LT BLUE 120° (AUX) (QTY 2)
0130M00140	TRANSFORMER 120V TO 24V, 40VA

SPECIAL PARTS

0161F00039 DAIKIN NAMEPLATE

Expanded Model Nomenclature

M1 - DM96HS0403ANAA

Cabinet Assembly

IMAGE 1

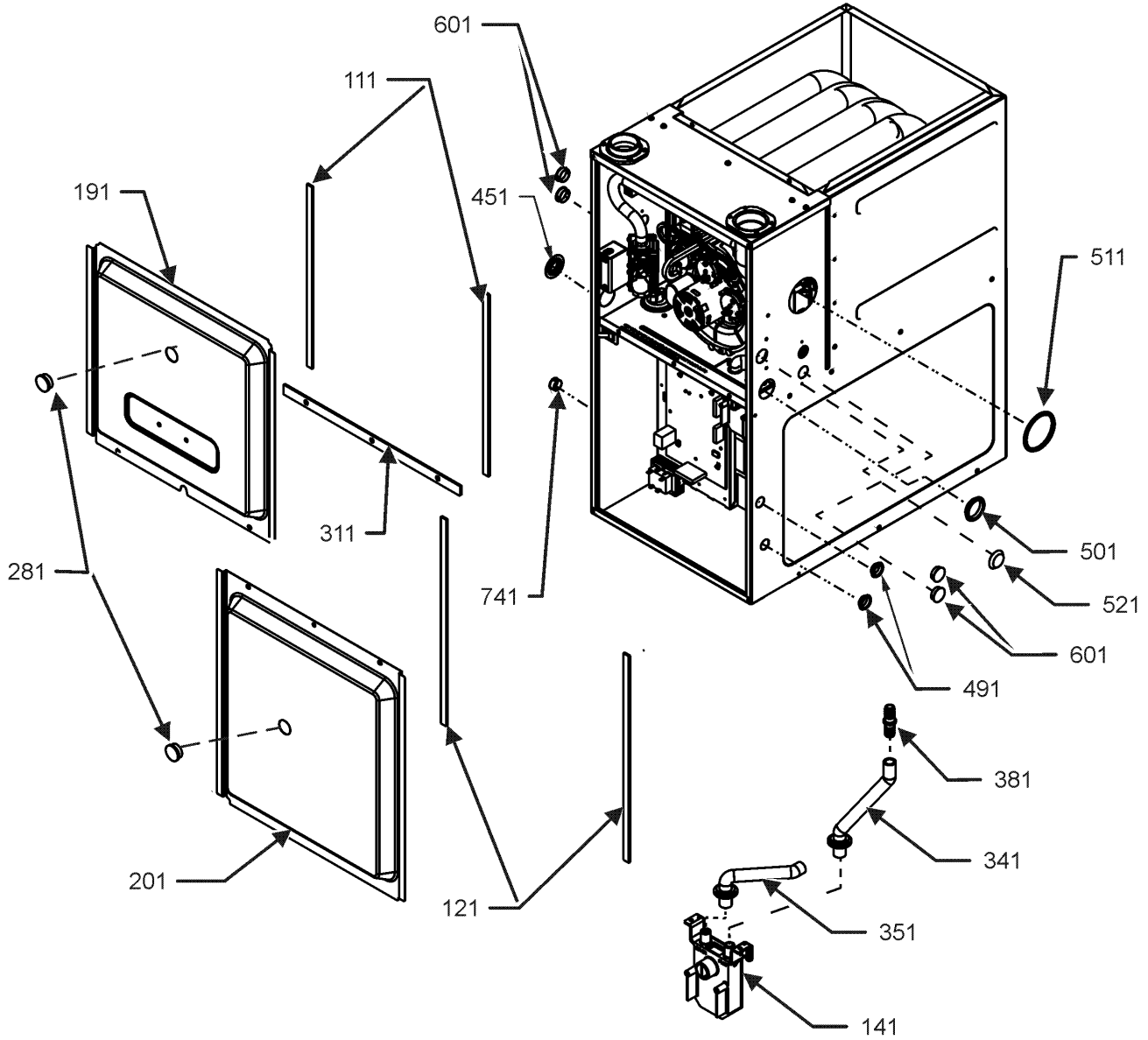
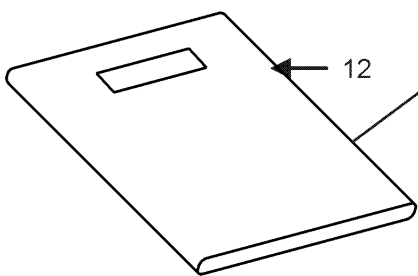
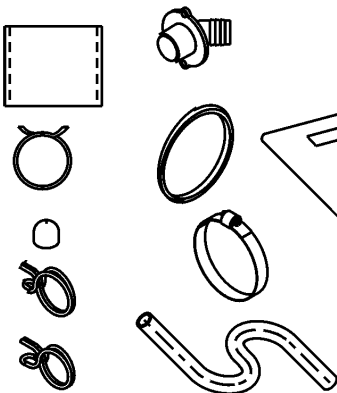


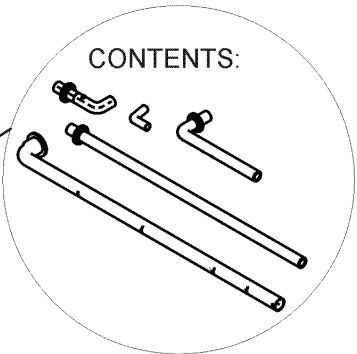
IMAGE 2



CONTENTS:



CONTENTS:



Cabinet Assembly

Ref. Part No: No:	Description:	Ref. Part No: No:	Description:
-------------------	--------------	-------------------	--------------

Image 1:

111	0154F00024	GASKET (QTY 2)
121	0154F00025	GASKET (QTY 2)
141	0161F00046	DRAIN TRAP
191	0121F00673NG	PNT, DOOR, ACCESS 14"
201	0121F00671NG	PNT, DOOR, BLOWER 14"
281	B1392139	VIEW PORT BUSHING-BLOWER DOOR (QTY 2)
311	0154F00063	DECK GASKET
341	0164F00017	ELBOW/TRAP HOSE
351	0164F00020	DRAIN HOSE
381	0161F00047	BARDED HOSE COUPLING
451	M0501301	PIPE GROMMET
491	M0570808	BUTTON PLUG (QTY 3)
501	M0570806	BUTTON PLUG
511	M0570807	BUTTON PLUG
521	0161M00027	HOLE PLUG
601	B1392021	PLASTIC PLUG, 1" (2713-BLK) (QTY 4)
741	B1392104	UNIVERSAL BUSHING UB 875
NS	M0310345	BUTTON PLUG (QTY 2)
NS	0161F00039	DAIKIN NAMEPLATE
NS	M0209730	DECORATIVE SCREW (QTY 3)
NS	0163M00049	HOSE CLAMP (QTY 2)

Image 2:

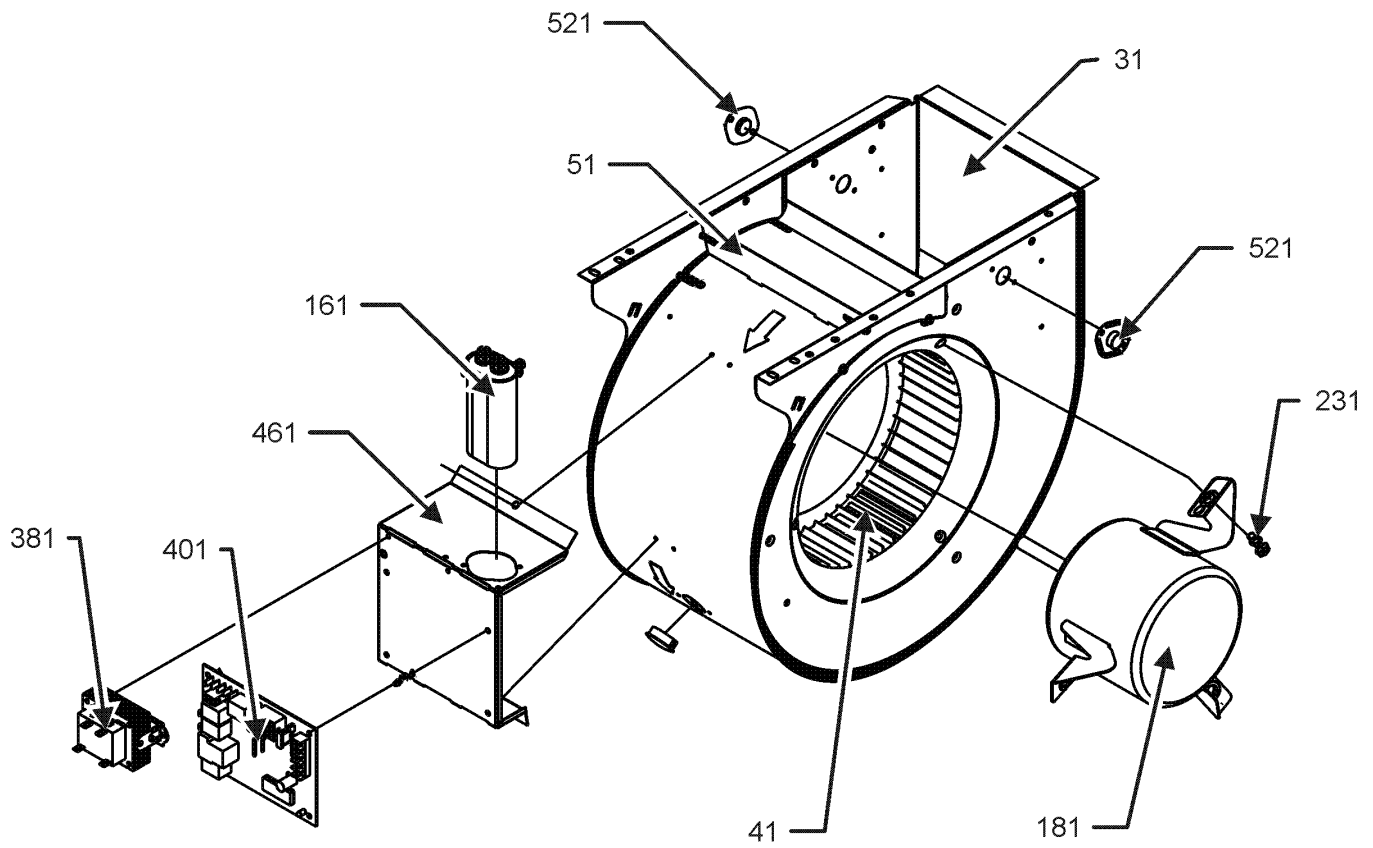
12	0270F03140	DRAIN PART BAG ASSY UF
22	0270F03667	BAG ASSY UF

Expanded Model Nomenclature

M1 - DM96HS0403ANAA

Blower Assembly

BLOWER ASSEMBLY



Blower Assembly

Ref. Part No:	No:	Description:	Ref. Part No:	No:	Description:
---------------	-----	--------------	---------------	-----	--------------

Image 1:

31	0271F00330	BLOWER HSG ASSY.
41	B1368053	BLOWER WHEEL 11 X 6 CW
51	764739	BLOWER CUT-OFF 10 X 6
161	CAP125000370LA	CAPACITOR 12.5/370V
181	0131F00027	MOTOR, 1/3HP, 4SP, 6PL
231	M0250558	TC SCREW (QTY 3)
381	0130M00140	TRANSFORMER 120V TO 24V, 40VA
401	PCBBF132	PCB 2STAGE HYBRID FURNACE CNTL
461	0121F00464	MOUNTING PLATE-CONTROLS
521	0130F00038	PRIMARY LIMIT - LT BLUE 120° (AUX) (QTY 2)
NS	B1392021	PLASTIC PLUG, 1" (2713-BLK) (QTY 4)
NS	0259F00024	WIRE HARNESS-BLOWER

Expanded Model Nomenclature

M1 - DM96HS0403ANAA

Chassis Assembly



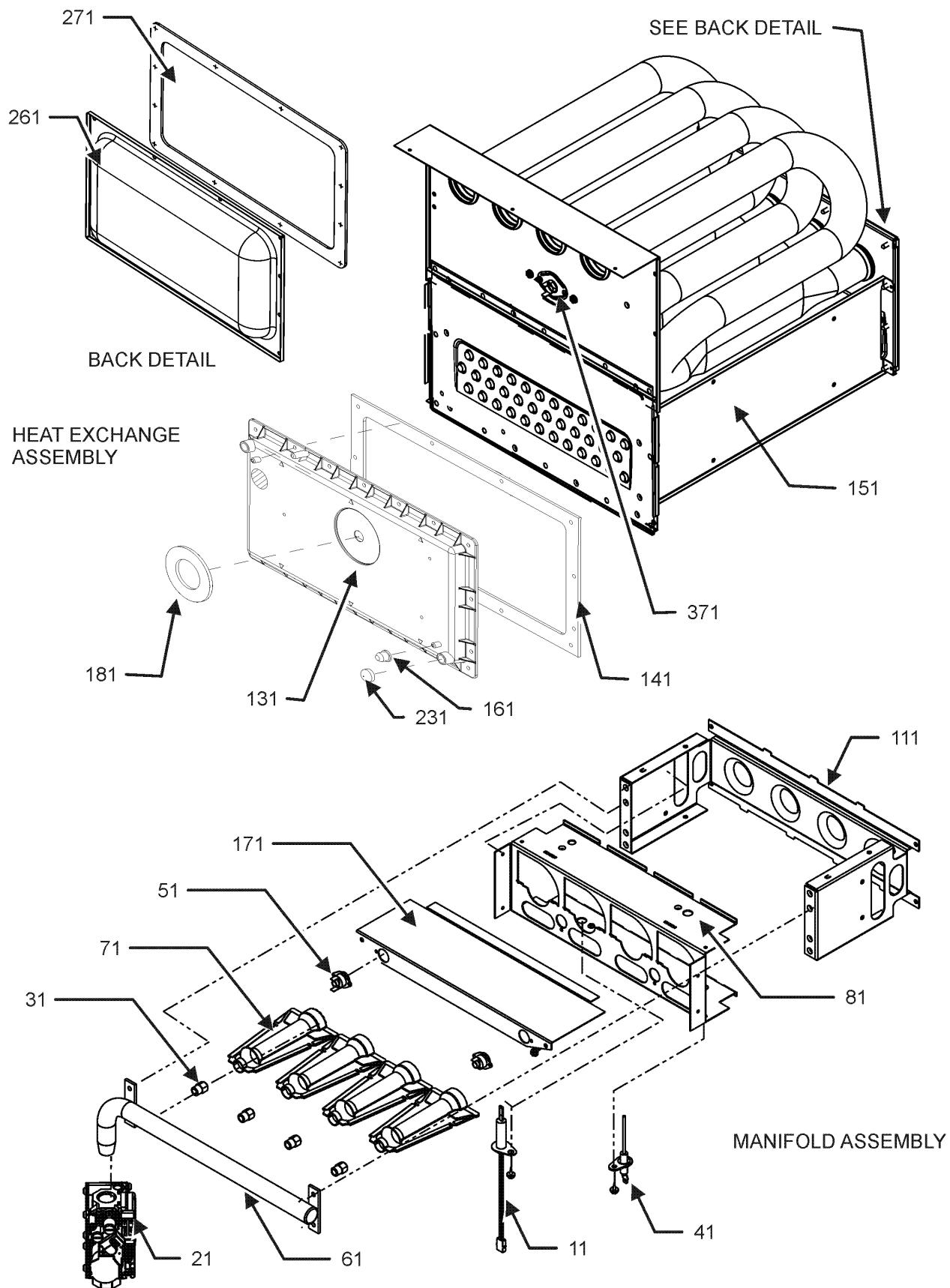
Chassis Assembly

Ref. Part No:	No:	Description:	Ref. Part No:	No:	Description:
Image 1:					
11	0121F00664DG	BASEPAN,14 PNT			
31	0121F00663	DECK, BLOWER 14"			
91	0160F00025	INSULATION, HT EXCHANGER			
101	0121F00661	ANGLE, DECK			
111	0121F00662DG	PNT, FURNACE TOP 14"			
121	0121F00313	ANGLE, SIDE (QTY 2)			
191	0164M00015	PRESSURE SWITCH HOSE			
201	0164M00009	PRESSURE SWITCH HOSE			
221	0130M00243	INTERLOCK SWITCH			
231	0164F00002	FLUE PIPE W/BEND			
241	0164F00001	ELBOW-FLUE, UPFLOW			
251	0154F00041	FRESH AIR GASKET			
271	0171M00008	MOTOR-ID, BLOWER			
281	0161F00037	COUPLING			
291	0130F00642	PRESSURE SWITCH			
311	0161F00042	JUNCTION BOX PLA			
331	0161F00043	JUNCTION BOX LID			
611	0163M00049	HOSE CLAMP (QTY 2)			
791	0154F00015	GASKET (QTY 2)			
811	0154F00064	GASKET			
991	0121F00389	BRACKET, DOOR SWITCH			
NS	0159F00045	HARNESS-WIRING			
NS	M0326804	TUBE PLUG			

Expanded Model Nomenclature

M1 - DM96HS0403ANAA

Heat Exchange Assembly



Heat Exchange Assembly

Ref. Part No: No:	Description:	Ref. Part No: No:	Description:
<i>Image 1:</i>			
11	0130F00008		IGNITOR-SINI 17 SEC
21	0151M00027		GAS VALVE
31	10716005		ORIFICE (QTY 2)
41	0130F00010		FLAME SENSOR
51	10123533		MANUAL RESET LIMIT-YELLOW
61	0163F00007		MANIFOLD
71	0163F00017		BECKETT BURNER (QTY 2)
81	0121F00456		BRACKET-BURNER 2
111	0121F00469		ORIFICE BRACKET-BURNER 2
131	0161F00080		COVER, FRONT
141	0154F00062		GASKET FRONT COVER
151	0257F00418		HEAT EXCHANGER ASSY
161	M0326804		TUBE PLUG
171	0121F00539		SHEILD, BURNER
181	0154F00043		GASKET ID BLOWER
231	A1781105		CAP-VINYL .500
261	0121F00670		COVER, REAR
271	0154F00058		GASKET REAR CVR
371	20162903		PRIMARY LIMIT - BLUE
NS	0121F00582		INSULATION, RETAINER
NS	0121F00439		PRIMARY LIMIT-HEAT SHIELD
NS	0121F00355		SHIELD, COIL (QTY 2)

Expanded Model Nomenclature

M1 - DM96HS0403ANAA