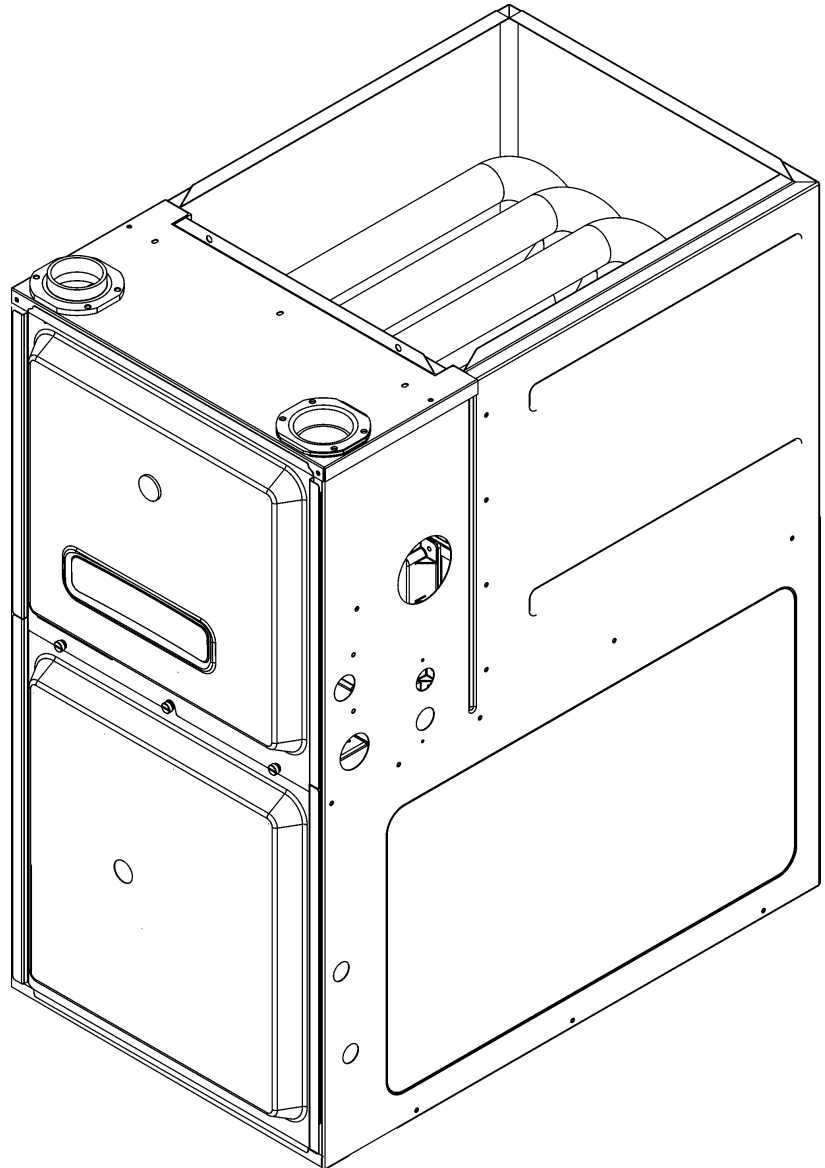


DM92SS 92% Single Stage Up Flow Furnace

DM92SS0403ANAA
DM92SS1005CNAB



This manual is to be used by qualified technicians only.

This manual replaces RP-D2308.

Important Information

Index

Functional Parts List	3
Illustration and Parts	4 - 11

Views shown are for parts illustrations only, not servicing procedures.

Text Codes:

AR - As Required

NA - Not Available

NS - Not Shown

00000000 - See Note

QTY - Quantity Example (QTY 3) (If Quantity not shown, Quantity = 1)

M - Model Example (M1) (If M Code not shown, then part is used on all Models)

Expanded Model Nomenclature:

Example M1 - Model#1 M2 - Model#2 M3 - Model#3

Daikin Company, L.P. is not responsible for personal injury or property damage resulting from improper service. Review all service information before beginning repairs.

Warranty service must be performed by an authorized technician, using authorized factory parts. If service is required after the warranty expires, Daikin Company, L.P. also recommends contacting an authorized technician and using authorized factory parts.

Daikin Company, L.P. reserves the right to discontinue, or change at any time, specifications or designs without notice or without incurring obligations.

For assistance within the U.S.A. contact:

Homeowner Support
Daikin North America, LLC
19001 Kermier Road
Waller, Texas 77484
855-770-5678-Telephone
713-863-2382-Facsimile

For assistance outside the U.S.A. contact:

International Division
Daikin North America, LLC
19001 Kermier Road
Waller, Texas 77484
713-861-2500-Telephone
713-863-2382-Facsimile

Functional Parts

Part

No: Description:

0163F00017	BECKETT BURNER (QTY 2)
0271F00323	BLOWER HSG ASSY (M1)
0271F00161	BLOWER SHELL & WHEEL ASSY (M2)
CAP125000370LA	CAPACITOR 12.5/370V (M1)
CAP150000370LA	CAPACITOR 15/370V (M2)
0130F00010	FLAME SENSOR
0151M00037	GAS VALVE
0257F00414	HEAT EXCHANGER ASSY (M1)
0257F00346	HEAT EXCHANGER ASSY. (M2)
0130F00008	IGNITOR-SINI 17 SEC
0130M00243	INTERLOCK SWITCH
10123539	MANUAL RESET LIMIT-ORANGE (M2)
10123538	MANUAL RESET LIMIT-TAN (M1)
0131F00027	MOTOR, 1/3HP, 4SP, 6PL (M1)
0131F00044	MOTOR, 3/4 HP (M2)
PCBBF136	PCB, IGNITION, HSI, INTEG
0130F00641	PRESSURE SWITCH (M1)
20162907	PRIMARY LIMIT (M2)
20162903	PRIMARY LIMIT - BLUE (M1)
0130F00038	PRIMARY LIMIT - LT BLUE 120° (AUX) (QTY 2)
0130F00441	SWITCH, PRESSURE (M2)
0130M00140	TRANSFORMER 120V TO 24V, 40VA

SPECIAL PARTS

0161F00039 DAIKIN NAMEPLATE

Expanded Model Nomenclature

M1 - DM92SS0403ANAA

M2 - DM92SS1005CNAB

Cabinet Assembly

IMAGE 1

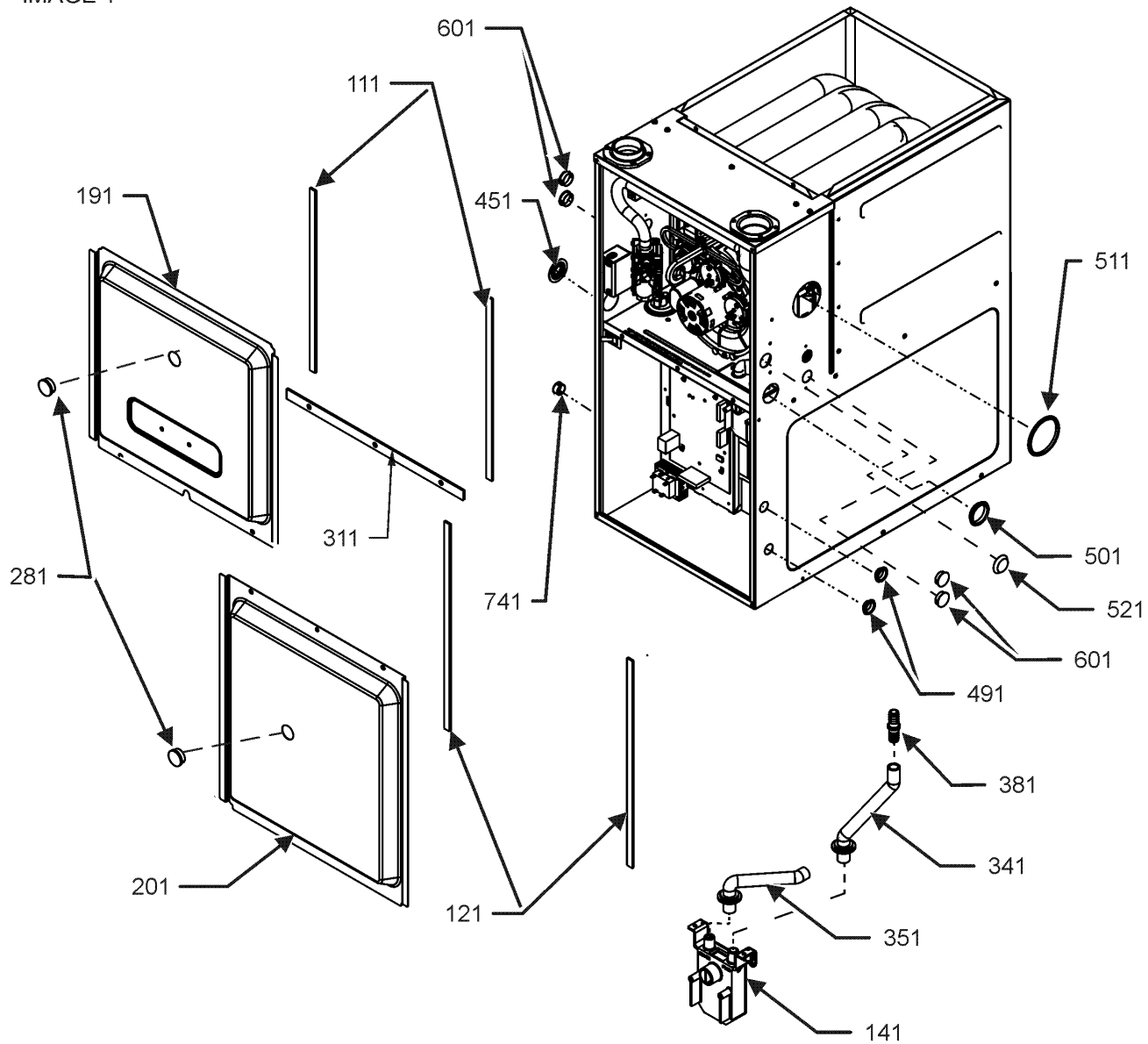
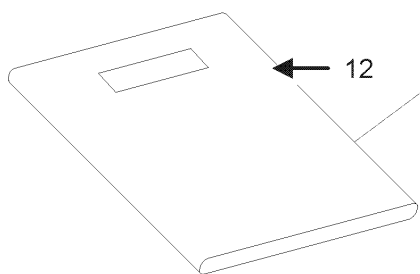
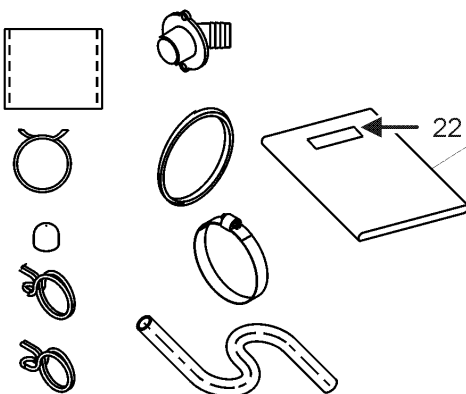


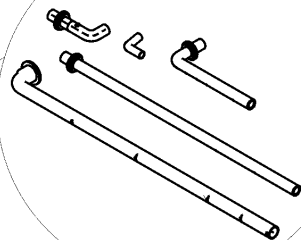
IMAGE 2



CONTENTS:



CONTENTS:



Cabinet Assembly

Ref. Part No:	Part No:	Description:	Ref. Part No:	Part No:	Description:
---------------	----------	--------------	---------------	----------	--------------

Image 1:

111	0154F00024	GASKET (QTY 2)
121	0154F00025	GASKET (QTY 2)
141	0161F00046	DRAIN TRAP
191	0121F00338NG	DOOR ACCESS 21" PNT (M2)
191	0121F00673NG	PNT, DOOR, ACCESS 14" (M1)
201	0121F00341NG	DOOR, BLOWER 21" PNT (M2)
201	0121F00671NG	PNT, DOOR, BLOWER 14" (M1)
281	B1392139	VIEW PORT BUSHING-BLOWER DOOR (QTY 2)
311	0154F00021	DECK GASKET (M2)
311	0154F00063	GASKET, DECK (M1)
341	0164F00017	ELBOW/TRAP HOSE
351	0164F00006	COVER/TRAP HOSE (M2)
351	0164F00020	DRAIN HOSE (M1)
381	0161F00047	BARDED HOSE COUPLING
451	M0501301	PIPE GROMMET
491	M0570808	BUTTON PLUG (QTY 3)
501	M0570806	BUTTON PLUG
511	M0570807	BUTTON PLUG
521	0161M00027	HOLE PLUG
601	B1392021	PLASTIC PLUG, 1" (2713-BLK) (QTY 4)
741	B1392104	UNIVERSAL BUSHING UB 875
NS	M0310345	BUTTON PLUG (QTY 2)
NS	0161F00039	DAIKIN NAMEPLATE
NS	M0209730	DECORATIVE SCREW (QTY 3)
NS	0163M00049	HOSE CLAMP (QTY 2)

Image 2:

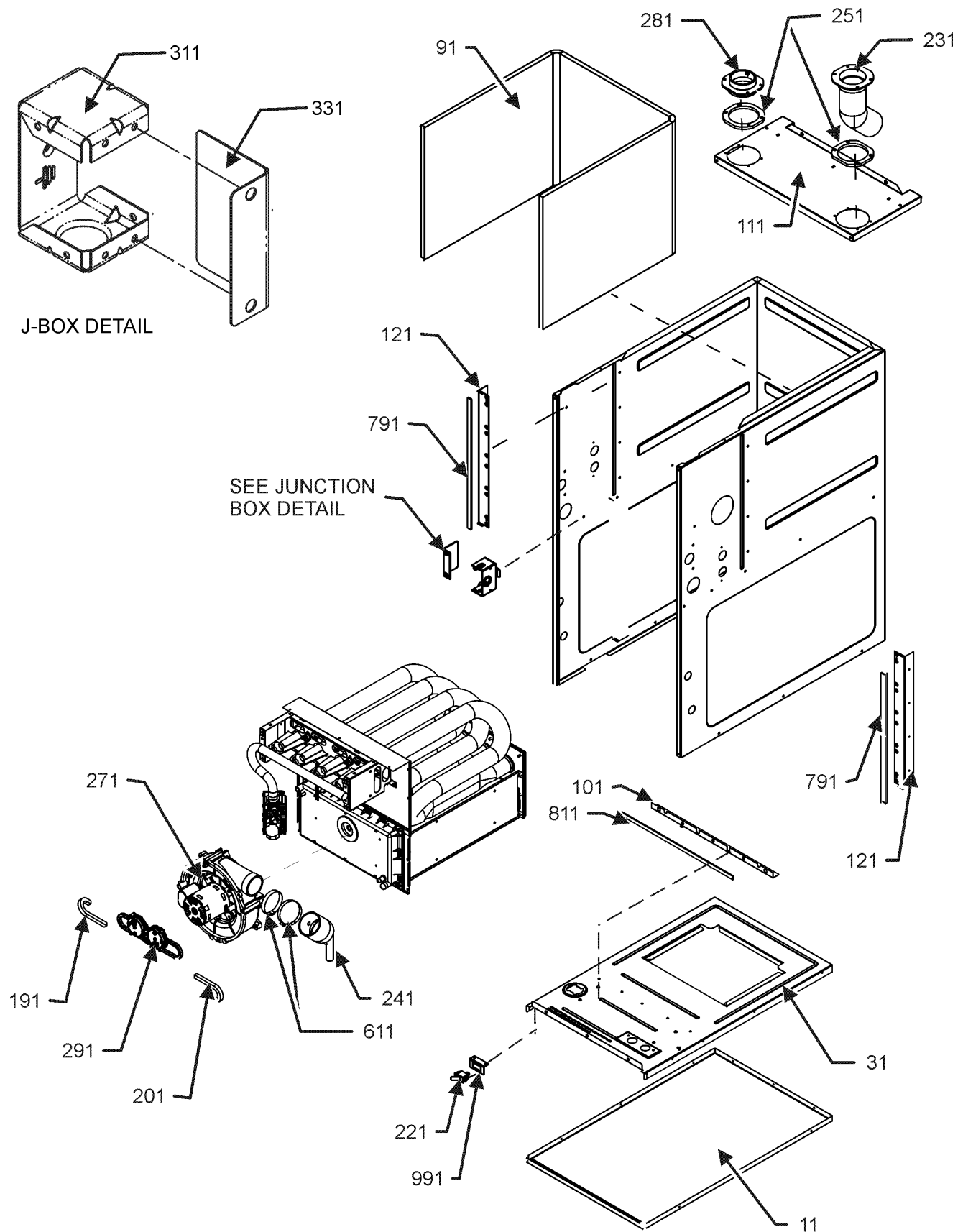
12	0270F03140	DRAIN PART BAG ASSY UF
22	0270F03667	BAG ASSY UF

Expanded Model Nomenclature

M1 - DM92SS0403ANAA

M2 - DM92SS1005CNAB

Chassis Assembly



Chassis Assembly

Ref. Part No:	No:	Description:	Ref. Part No:	No:	Description:
<i>Image 1:</i>					
11	0121F00531DG	BASEPAN, 21 PNT (M2)			
11	0121F00664DG	BASEPAN,14 PNT (M1)			
31	0121F00663	DECK, BLOWER 14" (M1)			
31	0121F00534	DECK-BLOWER 21" (M2)			
91	0160F00025	INSULATION, HT EXCHANGER (M1)			
91	0160F00016	INSULATION, HT EXCHANGER 21" (M2)			
101	0121F00315	ANGLE, DECK (M2)			
101	0121F00661	ANGLE, DECK (M1)			
111	0121F00280DG	PAINTED TOP, FURNACE 21 (M2)			
111	0121F00662DG	PNT, FURNACE TOP 14" (M1)			
121	0121F00313	SIDE ANGLE (QTY 2)			
191	0164M00015	PRESSURE SWITCH HOSE			
201	0164M00008	PRESSURE SWITCH HOSE (M2)			
201	0164M00009	PRESSURE SWITCH HOSE (M1)			
221	0130M00243	INTERLOCK SWITCH			
231	0164F00002	FLUE PIPE W/BEND			
241	0164F00001	ELBOW-FLUE, UPFLOW			
271	0171M00008	MOTOR, ID BLOWER (M1)			
271	0171M00001	MOTOR-ID, BLOWER (M2)			
281	0161F00037	COUPLING			
291	0130F00641	PRESSURE SWITCH (M1)			
291	0130F00441	SWITCH, PRESSURE (M2)			
311	0161F00042	JUNCTION BOX			
331	0161F00043	JUNCTION BOX LID			
611	0163M00049	HOSE CLAMP (QTY 2)			
791	0154F00015	GASKET (QTY 2)			
811	0154F00016	GASKET (M2)			
811	0154F00064	GASKET (M1)			
991	0121F00389	BRACKET, DOOR SWITCH			
NS	0159F00067	HARNESS, WIRING (M2)			
NS	0159F00070	HARNESS, WIRING (M1)			
NS	M0326804	TUBE PLUG			

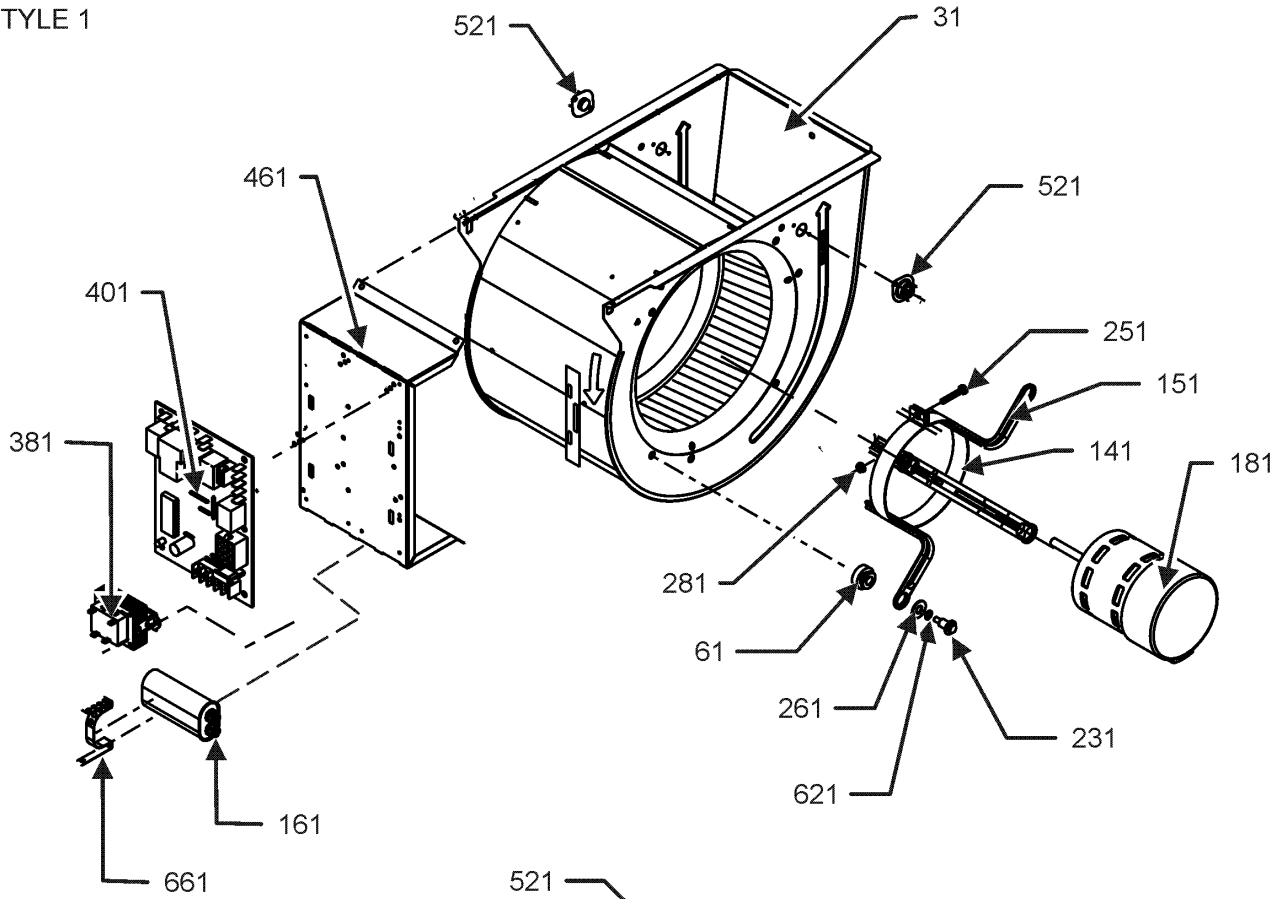
Expanded Model Nomenclature

M1 - DM92SS0403ANAA

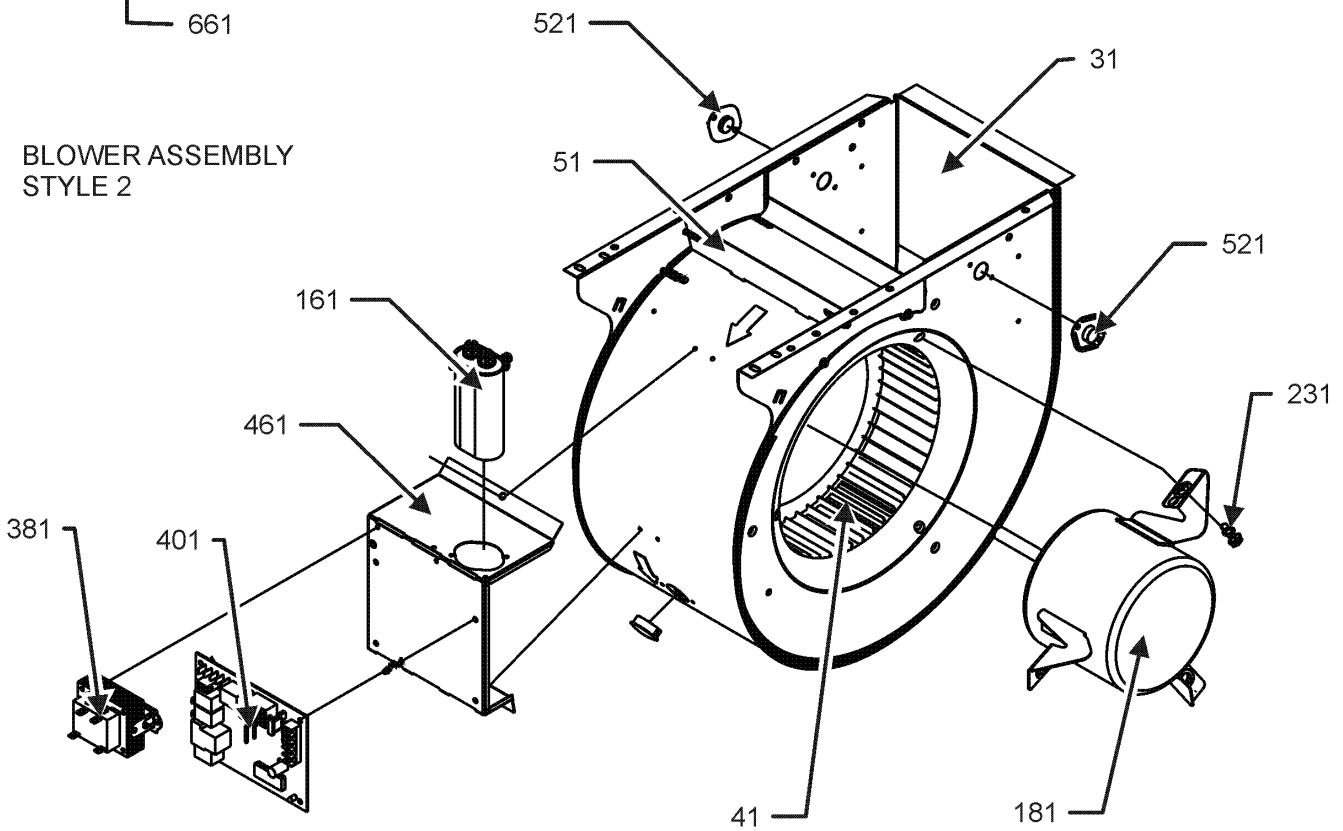
M2 - DM92SS1005CNAB

Blower Assembly

BLOWER ASSEMBLY
STYLE 1



BLOWER ASSEMBLY
STYLE 2



Blower Assembly

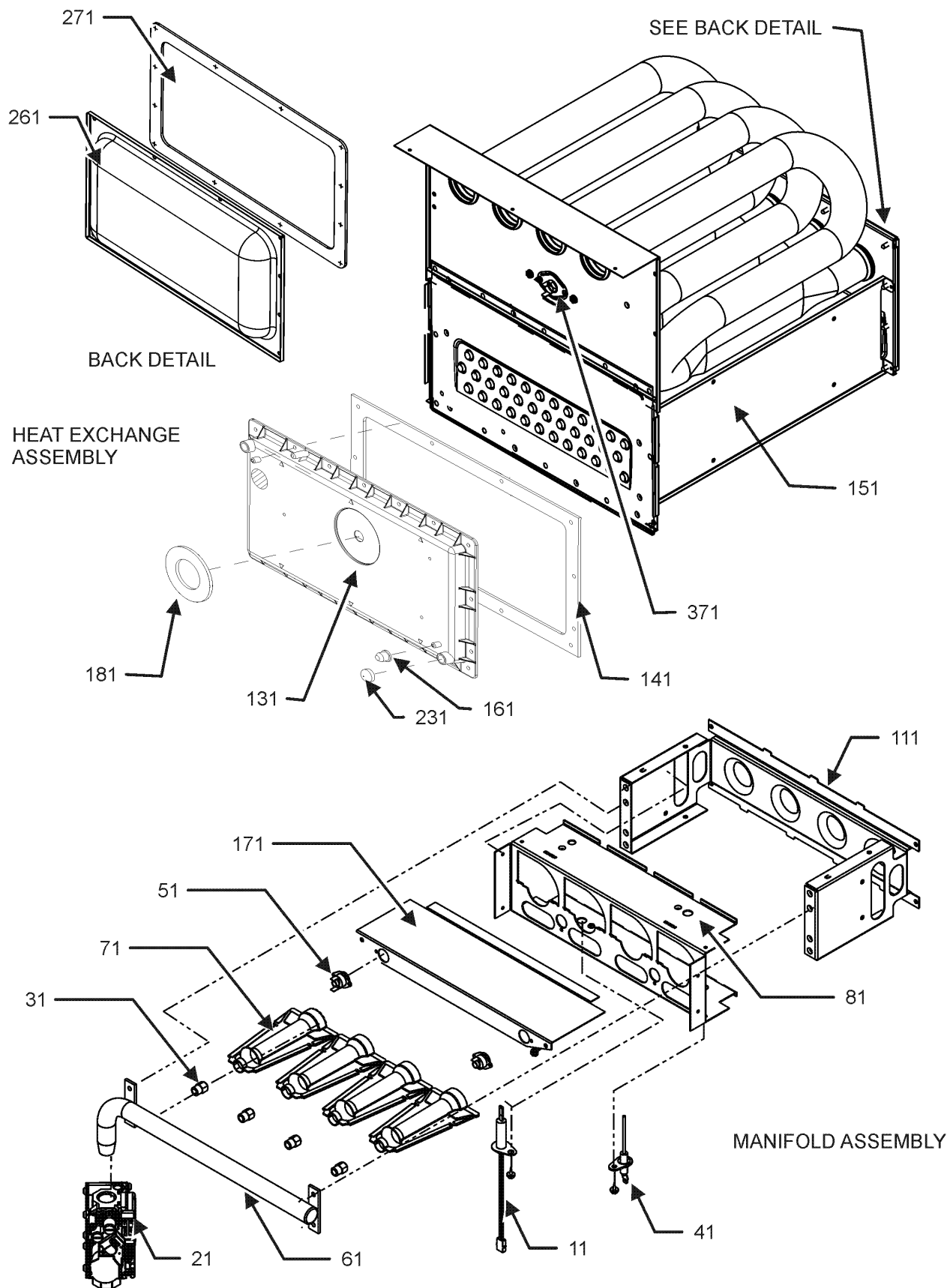
Ref. Part No:	No:	Description:	Ref. Part No:	No:	Description:
<i>Image 1:</i>					
31	0271F00323	BLOWER HSG ASSY (M1)			
31	0271F00161	BLOWER SHELL & WHEEL ASSY (M2)			
41	B1368034	BLOWER WHEEL 10 X 6 (M1)			
51	764739	BLOWER CUT-OFF 10 X 6 (M1)			
61	A4002702	BLOWER MOTOR GROMMET (M2)			
141	10441601	MOTOR MOUNT BAND (M2)			
151	10441501	MOTOR MOUNT ARM (M2)			
161	CAP125000370LA	CAPACITOR 12.5/370V (M1)			
161	CAP150000370LA	CAPACITOR 15/370V (M2)			
181	0131F00027	MOTOR, 1/3HP, 4SP, 6PL (M1)			
181	0131F00044	MOTOR, 3/4 HP (M2)			
231	0163F00028	SCREW (M2)			
231	M0250558	TC SCREW (M1)			
251	M0267144	MACHINE SCREW (M2)			
261	M0274008	WASHER-FLAT (M2)			
281	M0282015	KEPS NUT (M2)			
381	0130M00140	TRANSFORMER 120V TO 24V, 40VA			
401	PCBBF136	PCB, IGNITION, HSI, INTEG			
461	0121F00464	MOUNTING PLATE-CONTROLS			
461	0121F00464	MOUNTING PLATE-CONTROLS			
521	0130F00038	PRIMARY LIMIT - LT BLUE 120° (AUX) (QTY 2)			
621	B1392820	WASHER, SPLIT LOCK 1/4 BZ (M2)			
661	20520901	CAPACITOR STRAP			
NS	B1392021	PLASTIC PLUG, 1" (2713-BLK) (QTY 4)			
NS	0259F00024	WIRE HARNESS-BLOWER			

Expanded Model Nomenclature

M1 - DM92SS0403ANAA

M2 - DM92SS1005CNAB

Heat Exchange Assembly



Heat Exchange Assembly

Ref. Part No:	Part No:	Description:	Ref. Part No:	Part No:	Description:
<i>Image 1:</i>					
11	0130F00008	IGNITOR-SINI 17 SEC			
21	0151M00037	GAS VALVE			
31	10716005	ORIFICE (QTY 2)			
41	0130F00010	FLAME SENSOR			
51	10123539	MANUAL RESET LIMIT-ORANGE (M2)			
51	10123538	MANUAL RESET LIMIT-TAN (M1)			
61	0163F00007	MANIFOLD (M1)			
61	0163F00010	MANIFOLD (M2)			
71	0163F00017	BECKETT BURNER (QTY 2)			
81	0121F00456	BRACKET-BURNER 2 (M1)			
81	0121F00453	BRACKET-BURNER 5 (M2)			
111	0121F00469	ORIFICE BRACKET-BURNER 2 (M1)			
111	0121F00466	ORIFICE BRACKET-BURNER 5 (M2)			
131	0161F00027	COVER, FRONT (M2)			
131	0161F00076	COVER, FRONT (M1)			
141	0154F00030	GASKET FRONT COVER (M2)			
141	0154F00062	GASKET FRONT COVER (M1)			
151	0257F00414	HEAT EXCHANGER ASSY (M1)			
151	0257F00346	HEAT EXCHANGER ASSY. (M2)			
161	M0326804	TUBE PLUG			
171	0121F00539	SHEILD, BURNER (M1)			
171	0121F00542	SHEILD, BURNER (M2)			
181	0154F00043	GASKET ID BLOWER			
231	A1781105	CAP-VINYL .500			
261	0121F00318	COVER, REAR (M2)			
261	0121F00670	COVER, REAR (M1)			
271	0154F00058	GASKET REAR CVR (M1)			
271	0154F00038	GASKET, REAR CVR (M2)			
371	20162907	PRIMARY LIMIT (M2)			
371	20162903	PRIMARY LIMIT - BLUE (M1)			
NS	0121F00582	INSULATION, RETAINER (M1)			
NS	0121F00584	INSULATION, RETAINER (M2)			
NS	0121F00439	PRIMARY LIMIT-HEAT SHIELD			
NS	0121F00355	SHIELD, COIL (QTY 2)			

Expanded Model Nomenclature

M1 - DM92SS0403ANAA

M2 - DM92SS1005CNAB