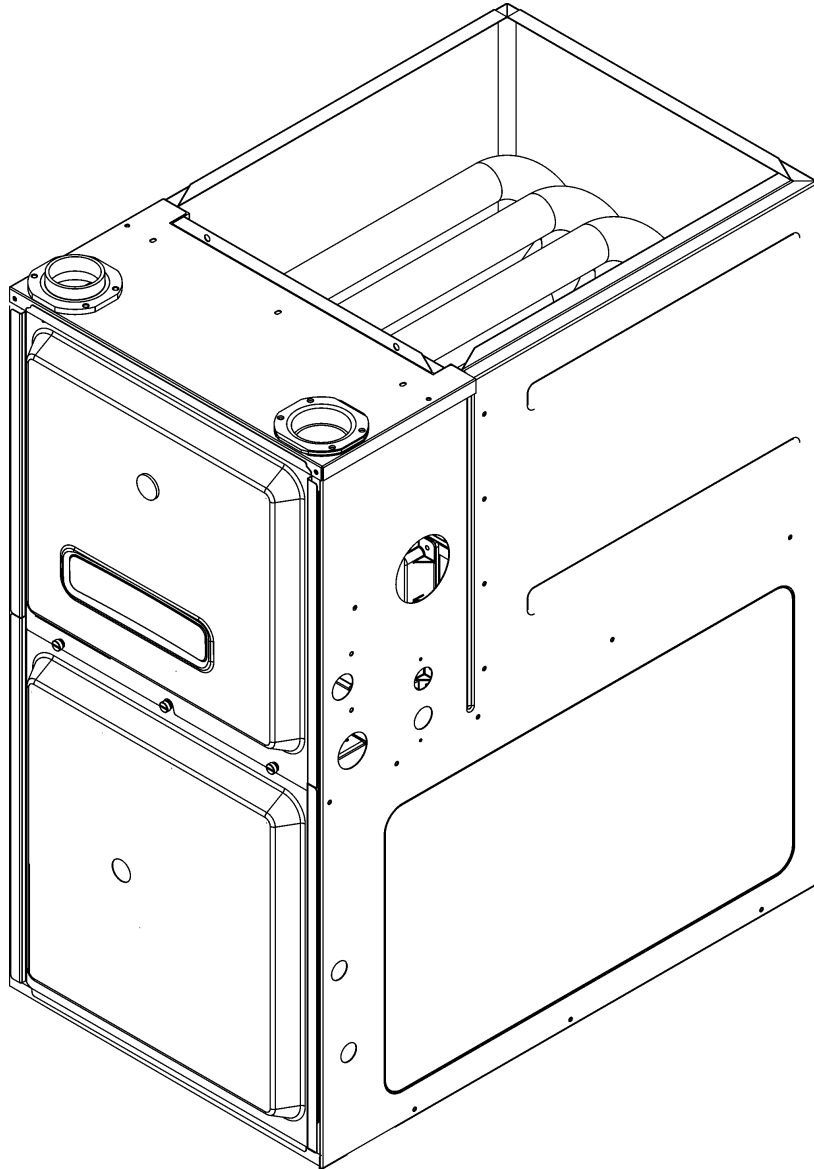


DM92SS 92% PSC Up Flow Furnace (34.5" Cabinet)

DM92SS0402BNAA
DM92SS0603BNAA
DM92SS0803BNAA
DM92SS0804CNAA
DM92SS0805CNAA
DM92SS1004CNAA
DM92SS1005CNAA
DM92SS1205DNAA



This manual is to be used by qualified technicians only.

This manual replaces RP-D2018.

© 2014-2015 **DAIKIN COMPANY, L.P.** ♦ 5151 San Felipe St., Suite 500 ♦ Houston, TX 77056

Important Information

Index

Functional Parts List	3
Illustration and Parts	4 - 11

Views shown are for parts illustrations only, not servicing procedures

Rev A: front cover part number updates of select models

Text Codes:

AR - As Required

NA - Not Available

NS - Not Shown

00000000 - See Note

QTY - Quantity Example (QTY 3) (If Quantity not shown, Quantity = 1)

M - Model Example (M1) (If M Code not shown, then part is used on all Models)

Expanded Model Nomenclature:

Example M1 - Model#1 M2 - Model#2 M3 - Model#3

Daikin Company, L.P. is not responsible for personal injury or property damage resulting from improper service. Review all service information before beginning repairs.

Warranty service must be performed by an authorized technician, using authorized factory parts. If service is required after the warranty expires, Daikin Company, L.P. also recommends contacting an authorized technician and using authorized factory parts.

Daikin Company, L.P. reserves the right to discontinue, or change at any time, specifications or designs without notice or without incurring obligations.

For assistance within the U.S.A. contact:

Consumer Affairs Department
Daikin North America, LLC
7401 Security Way
Houston, Texas 77040
855-770-5678-Telephone
713-863-2382-Facsimile

For assistance outside the U.S.A. contact:

International Division
Daikin North America, LLC
7401 Security Way
Houston, Texas 77040
713-861-2500-Telephone
713-863-2382-Facsimile

Functional Parts

Part

No: Description:

0163F00017	BECKETT BURNER (QTY A/R)
0271F00181	BLOWER HSG ASSY (M1, M2, M3)
0271F00182	BLOWER HSG ASSY (M4, M6)
0271F00161	BLOWER SHELL & WHEEL ASSY (M5, M7)
0271F00163	BLOWER SHELL & WHEEL ASSY (M8)
CAP125000370LA	CAPACITOR 12.5/370V (M1, M2, M3)
CAP150000370LA	CAPACITOR 15/370V (M5, M7, M8)
CAP200000370LA	CAPACITOR 20/370V (M4, M6)
0130F00010	FLAME SENSOR
0151M00037	GAS VALVE
0257F00339	HEAT EXCHANGER ASSY. (M3)
0257F00268	HEAT EXCHANGER ASSY. (M2)
0257F00340	HEAT EXCHANGER ASSY. (M4, M5)
0257F00346	HEAT EXCHANGER ASSY. (M6, M7)
0257F00347	HEAT EXCHANGER ASSY. (M8)
0257F00250	HEAT EXCHANGER ASSY. (M1)
0130M00243	INTERLOCK SWITCH
10123539	MANUAL RESET LIMIT-ROS (M3, M5, M6, M7)
10123517	MANUAL RESET LIMIT-ROS (M1)
10123534	MANUAL RESET LIMIT-ROS (M4)
0130F00123	MANUAL RESET LIMIT-ROS (M2)
10123529	MANUAL RESET LIMIT-ROS (M8)
0131F00038	MOTOR, 1/2 HP (M4, M6)
0131F00027	MOTOR, 1/3HP, 4SP, 6PL (M1, M2, M3)
0131F00031	MOTOR, 3/4 HP (M5, M7, M8)
PCBBF134	PCB, IGNITION, HSI, INTEG
0130F00476	PRESSURE SWITCH (-.1 / -.85) (M1)
0130F00479	PRESSURE SWITCH (-.1 / -.97) (M3, M6, M7)
0130F00480	PRESSURE SWITCH (-.1 / -1.2) (M2, M4, M5, M8)
20162907	PRIMARY LIMIT (M7)
20162903	PRIMARY LIMIT - BLUE (M5, M6)
0130F00038	PRIMARY LIMIT - LT BLUE 120° (AUX) (QTY 2)
0130F00036	PRIMARY LIMIT - PINK (M1, M2, M4)
20162906	PRIMARY LIMIT - WHITE (M3)
20162904	PRIMARY LIMIT-TEMPERATURE CONTROL (M8)
0130F00008	SINI IGNITOR
0130M00140	TRANSFORMER 120V TO 24V, 40VA

SPECIAL PARTS

0161F00039 DAIKIN NAMEPLATE

Expanded Model Nomenclature

M1 - DM92SS0402BNAA
M2 - DM92SS0603BNAA
M3 - DM92SS0803BNAA
M4 - DM92SS0804CNAA
M5 - DM92SS0805CNAA
M6 - DM92SS1004CNAA
M7 - DM92SS1005CNAA
M8 - DM92SS1205DNAA

Cabinet

Image 1

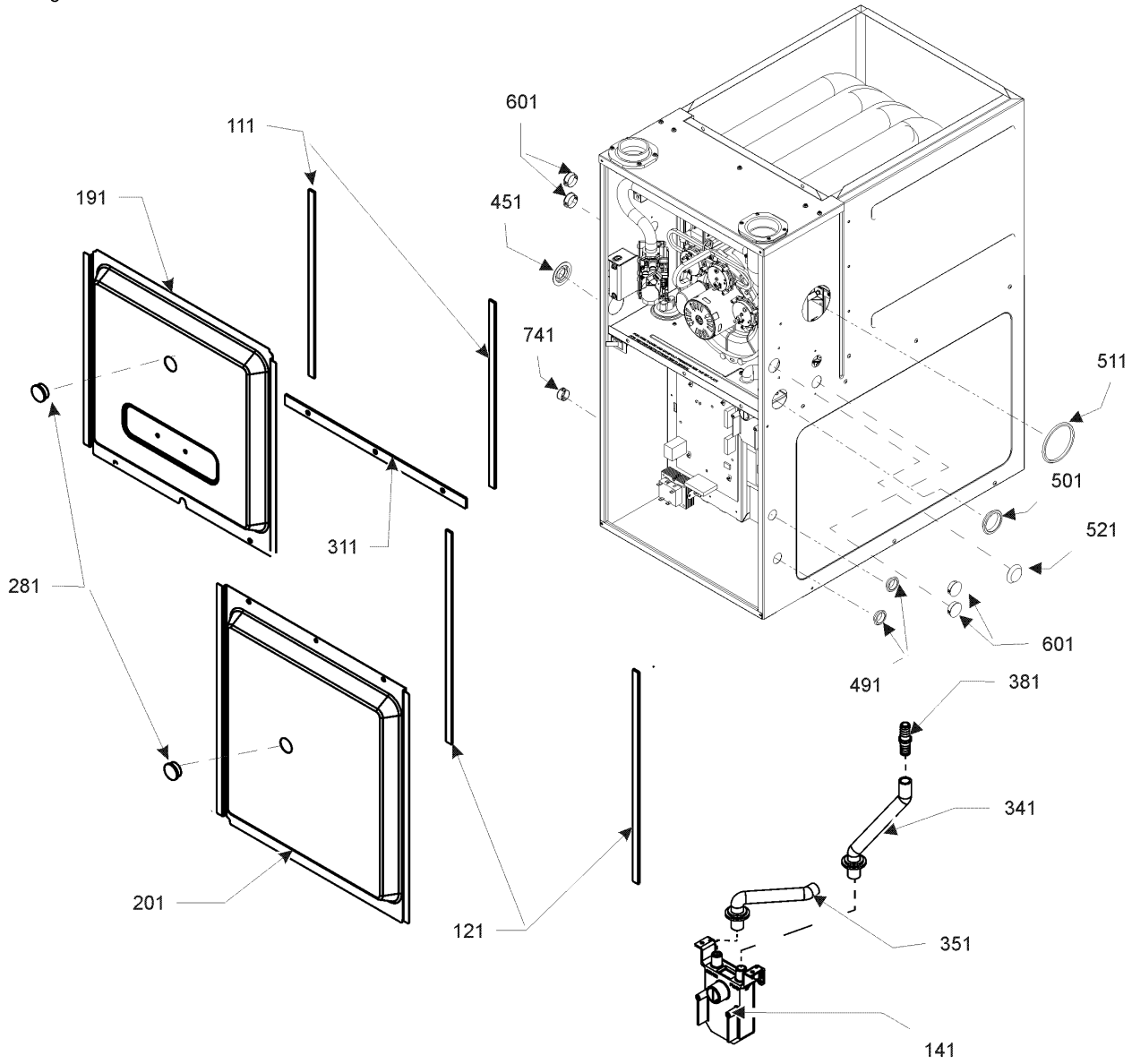
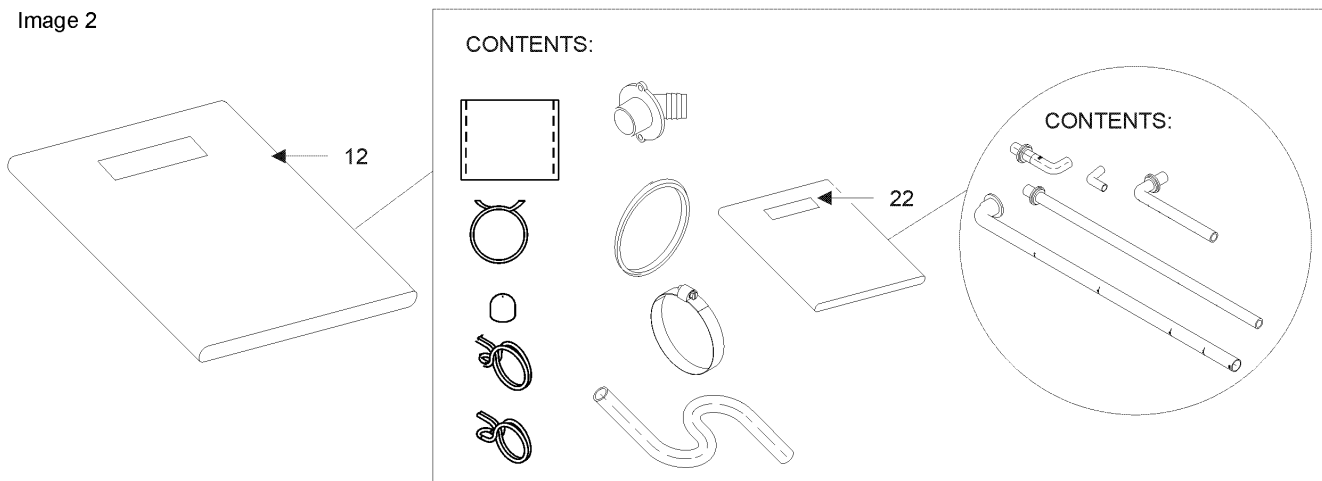


Image 2



Cabinet

Ref. Part No: No:	Description:	Ref. Part No: No:	Description:
-------------------	--------------	-------------------	--------------

Image 1:

111	0154F00024	GASKET (QTY 2)
121	0154F00025	GASKET (QTY 2)
141	0161F00046	DRAIN TRAP
191	0121F00338NG	DOOR ACCESS 21" PNT (M4, M5, M6, M7)
191	0121F00337NG	DOOR, ACCESS 17.5" PNT (M1, M2, M3)
191	0121F00339NG	DOOR, ACCESS 24.5" PNT (M8)
201	0121F00340NG	DOOR, BLOWER 17.5" PNT (M1, M2, M3)
201	0121F00341NG	DOOR, BLOWER 21" PNT (M4, M5, M6, M7)
201	0121F00342NG	DOOR, BLOWER 24.5" PNT (M8)
281	B1392139	VIEW PORT BUSHING-BLOWER DOOR (QTY 2)
311	0154F00020	DECK GASKET (M1, M2, M3)
311	0154F00021	DECK GASKET (M4, M5, M6, M7)
311	0154F00022	DECK GASKET (M8)
341	0164F00017	ELBOW/TRAP HOSE
351	0164F00006	COVER/TRAP HOSE
381	0161F00047	BARDED HOSE COUPLING
451	M0501301	PIPE GROMMET
491	M0570808	BUTTON PLUG (QTY 3)
501	M0570806	BUTTON PLUG
511	M0570807	BUTTON PLUG
521	0161M00027	HOLE PLUG (M1, M2, M3, M6, M7)
601	B1392021	PLASTIC PLUG, 1" (2713-BLK) (QTY 4)
741	B1392104	UNIVERSAL BUSHING UB 875
NS	M0310345	BUTTON PLUG (QTY 2)
NS	0161F00039	DAIKIN NAMEPLATE
NS	M0209730	DECORATIVE SCREW (QTY 3)
NS	0163M00049	HOSE CLAMP (QTY 3)

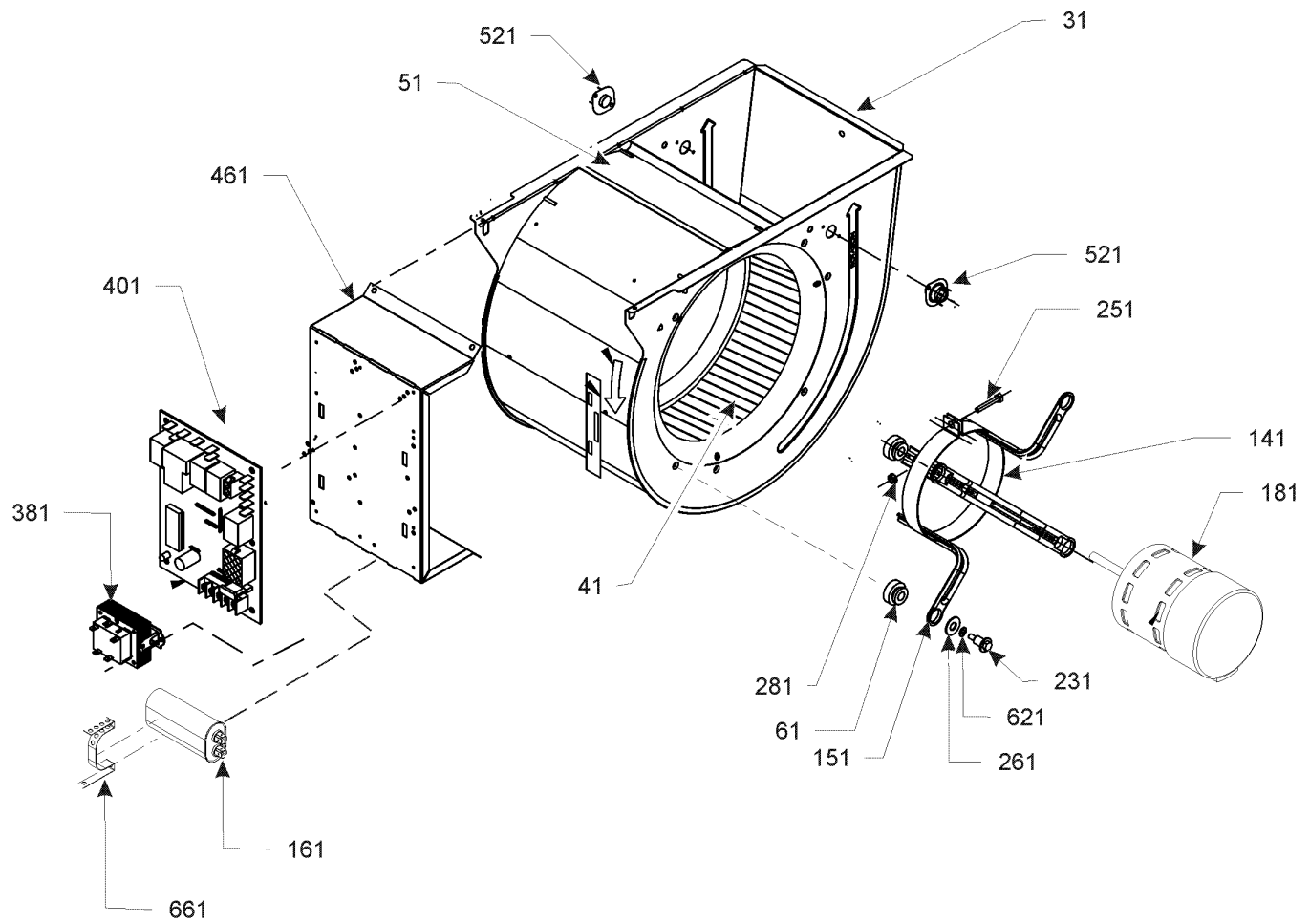
Image 2:

12	0270F03140	DRAIN PART BAG ASSY UF
22	0270F03138	BAG ASSY UF

Expanded Model Nomenclature

- | |
|---------------------|
| M1 - DM92SS0402BNAA |
| M2 - DM92SS0603BNAA |
| M3 - DM92SS0803BNAA |
| M4 - DM92SS0804CNAA |
| M5 - DM92SS0805CNAA |
| M6 - DM92SS1004CNAA |
| M7 - DM92SS1005CNAA |
| M8 - DM92SS1205DNAA |

Blower Assembly



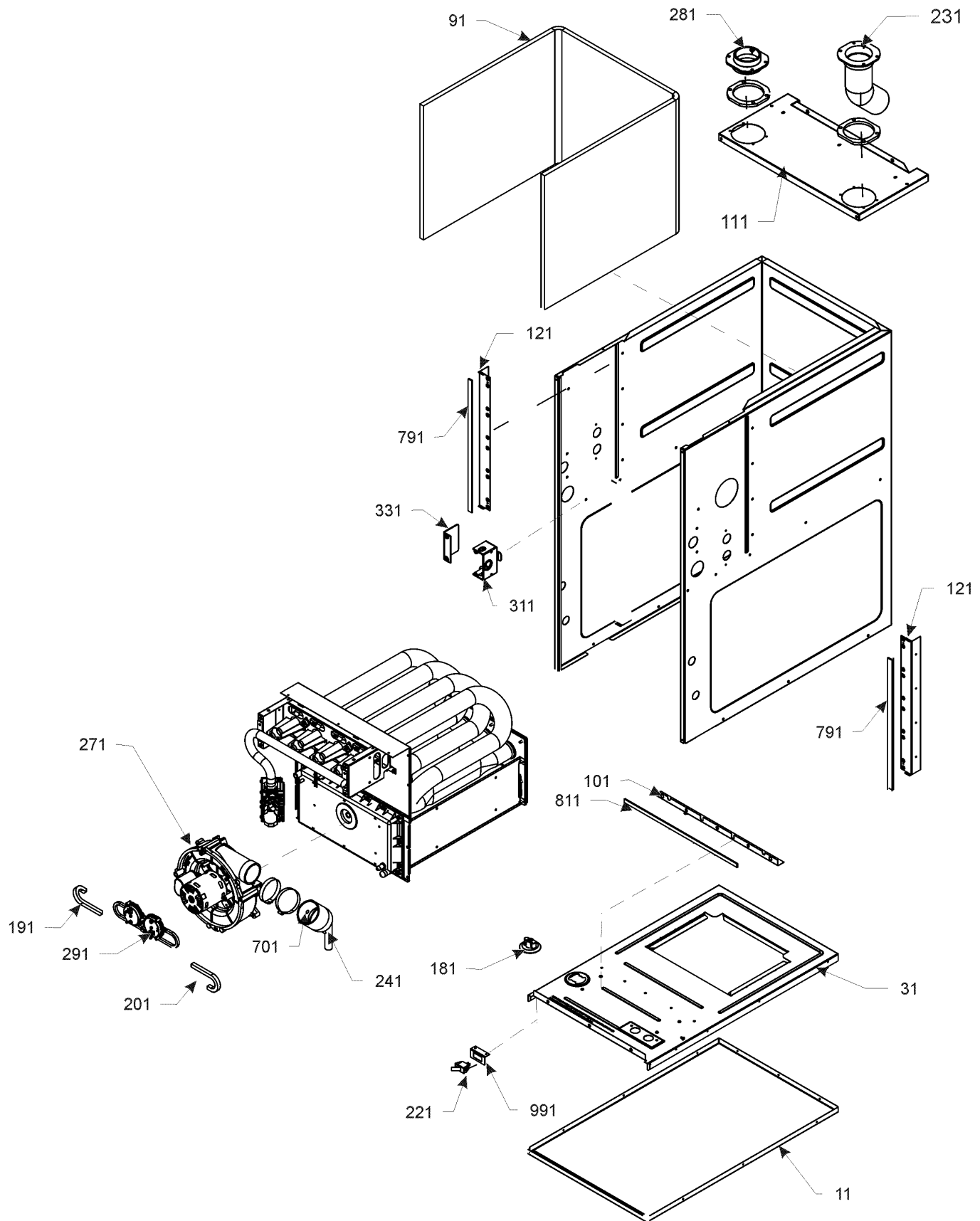
Blower Assembly

Ref. Part No:	Description:	Ref. Part No:	Description:
Image 1:			
31	0271F00181		BLOWER HSG ASSY (M1, M2, M3)
31	0271F00182		BLOWER HSG ASSY (M4, M6)
31	0271F00161		BLOWER SHELL & WHEEL ASSY (M5, M7)
31	0271F00163		BLOWER SHELL & WHEEL ASSY (M8)
41	0150M00042		WHEEL, BLOWER (10 X 10) (M4, M6)
41	0150M00043		WHEEL, BLOWER (10 X 8) (M1, M2, M3)
51	764741		BLOWER BLOCK-OFF 10 X 10 (M4, M6)
51	764740		BLOWER BLOCK-OFF 10 X 8 (M1, M2, M3)
61	A4002702		BLOWER MOTOR GROMMET (M5, M7, M8)
141	10441601		MOTOR MOUNT BAND (M5, M7, M8)
151	10441501		MOTOR MOUNT ARM (M5, M7, M8)
161	CAP125000370LA		CAPACITOR 12.5/370V (M1, M2, M3)
161	CAP150000370LA		CAPACITOR 15/370V (M5, M7, M8)
161	CAP200000370LA		CAPACITOR 20/370V (M4, M6)
181	0131F00038		MOTOR, 1/2 HP (M4, M6)
181	0131F00027		MOTOR, 1/3HP, 4SP, 6PL (M1, M2, M3)
181	0131F00031		MOTOR, 3/4 HP (M5, M7, M8)
231	M0221461		TC SCREW (M5, M7, M8)
231	M0250558		TC SCREW (M1, M2, M3, M4, M6)
251	M0267144		MACHINE SCREW (M5, M7, M8)
261	M0274008		FLAT WASHER (M5, M7, M8)
281	M0282015		KEPS NUT (M5, M7, M8)
381	0130M00140		TRANSFORMER 120V TO 24V, 40VA
401	PCBBF134		PCB, IGNITION, HSI, INTEG
461	0121F00464		CONTROL MOUNTING PLATE
521	0130F00038		PRIMARY LIMIT - LT BLUE 120° (AUX) (QTY 2)
621	B1392820		SLIT LOCK WASHER (M5, M7, M8)
661	20520901		CAPACITOR STRAP
NS	B1392021		1" PLASTIC PLUG (QTY 4)
NS	0259F00024		HARNESS - BLOWER

Expanded Model Nomenclature

- | |
|---------------------|
| M1 - DM92SS0402BNAA |
| M2 - DM92SS0603BNAA |
| M3 - DM92SS0803BNAA |
| M4 - DM92SS0804CNAA |
| M5 - DM92SS0805CNAA |
| M6 - DM92SS1004CNAA |
| M7 - DM92SS1005CNAA |
| M8 - DM92SS1205DNAA |

Chassis



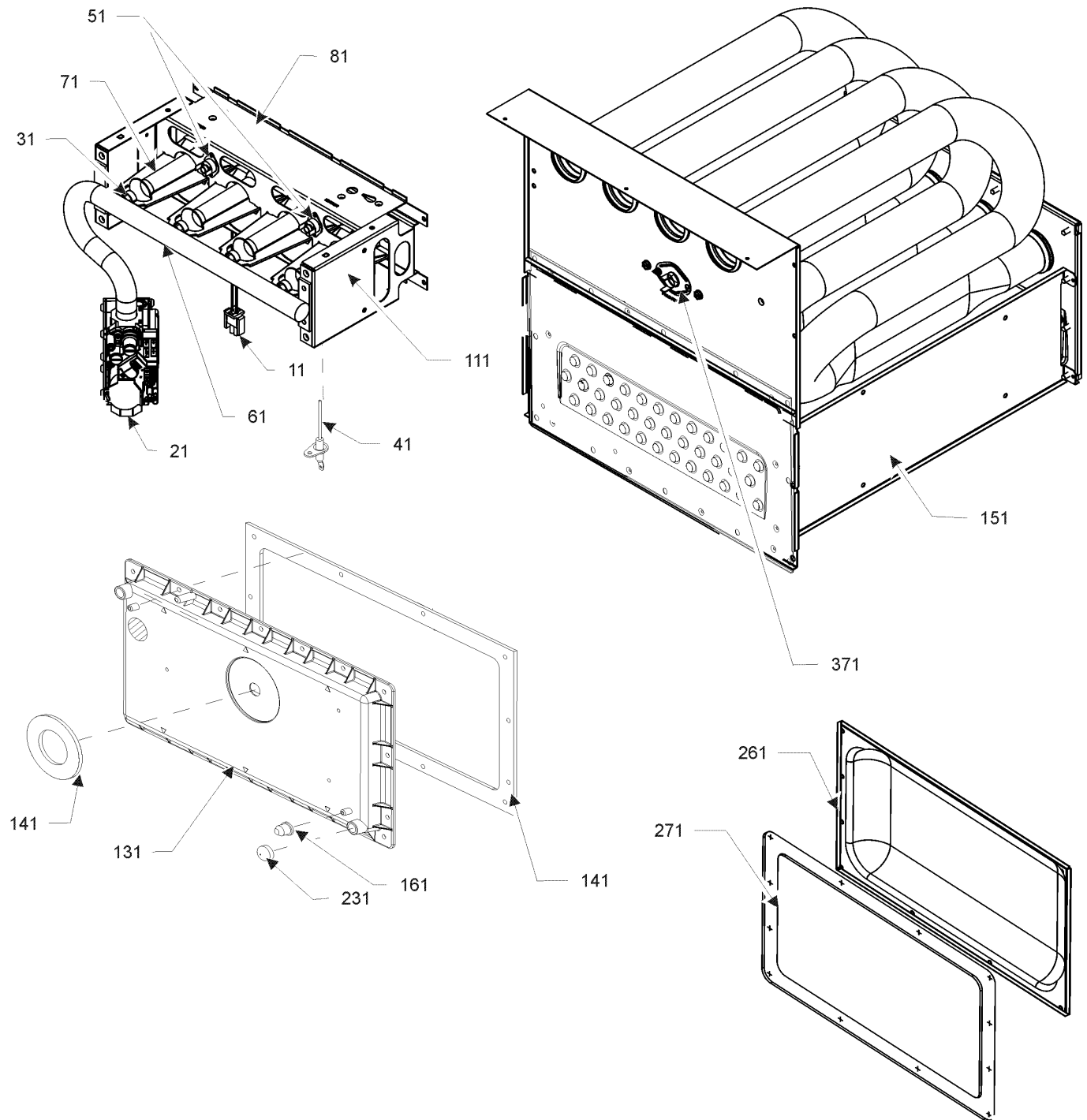
Chassis

Ref. Part No:	No:	Description:	Ref. Part No:	No:	Description:
Image 1:					
11	0121F00386DG	BASEPAN, UPFLOW PNT (M1, M2, M3)			
11	0121F00387DG	BASEPAN, UPFLOW PNT (M4, M5, M6, M7)			
11	0121F00388DG	BASEPAN, UPFLOW PNT (M8)			
31	0121F00285	DECK, BLOWER 17.5 (M1, M2, M3)			
31	0121F00286	DECK, BLOWER 21 (M4, M5, M6, M7)			
31	0121F00287	DECK, BLOWER 24.5 (M8)			
91	0160F00015	INSULATION, HT EXCHANGER 17.5" (M1, M2, M3)			
91	0160F00016	INSULATION, HT EXCHANGER 21" (M4, M5, M6, M7)			
91	0160F00017	INSULATION, HT EXCHANGER 24.5" (M8)			
101	0121F00314	ANGLE, DECK (M1, M2, M3)			
101	0121F00315	ANGLE, DECK (M4, M5, M6, M7)			
101	0121F00316	ANGLE, DECK (M8)			
111	0121F00279DG	PAINTED TOP, FURNACE 17.5 (M1, M2, M3)			
111	0121F00280DG	PAINTED TOP, FURNACE 21 (M4, M5, M6, M7)			
111	0121F00281DG	PAINTED TOP, FURNACE 24.5 (M8)			
121	0121F00313	SIDE ANGLE (QTY 2)			
181	0159F00042	HARNESS, WIRING (M1, M2, M3)			
181	0159F00043	HARNESS, WIRING (M4, M5, M6, M7, M8)			
191	0164M00008	PRESSURE SWITCH HOSE			
201	0164M00015	PRESSURE SWITCH HOSE			
221	0130M00243	INTERLOCK SWITCH			
231	0164F00002	FLUE PIPE W/BEND			
241	0164F00001	ELBOW-FLUE, UPFLOW			
271	0171M00001	MOTOR-ID, BLOWER			
281	0161F00037	COUPLING			
291	0130F00476	PRESSURE SWITCH (-.1 / -.85) (M1)			
291	0130F00479	PRESSURE SWITCH (-.1 / -.97) (M3, M6, M7)			
291	0130F00480	PRESSURE SWITCH (-.1 / -1.2) (M2, M4, M5, M8)			
311	0161F00042	JUNCTION BOX			
331	0161F00043	JUNCTION BOX LID			
701	M0326804	TUBE PLUG			
791	0154F00015	GASKET (QTY 2)			
811	0154F00014	GASKET (M1, M2, M3)			
811	0154F00016	GASKET (M4, M5, M6, M7)			
811	20194607	GASKET (M8)			
991	0121F00389	BRACKET, DOOR SWITCH			

Expanded Model Nomenclature

M1 - DM92SS0402BNAA
M2 - DM92SS0603BNAA
M3 - DM92SS0803BNAA
M4 - DM92SS0804CNAA
M5 - DM92SS0805CNAA
M6 - DM92SS1004CNAA
M7 - DM92SS1005CNAA
M8 - DM92SS1205DNAA

Heat Exchanger / Manifold / Gas Valve



Heat Exchanger / Manifold / Gas Valve

Ref. Part No:	Description:	Ref. Part No:	Description:
Image 1:		Expanded Model Nomenclature	
11	0130F00008	SINI IGNITOR	M1 - DM92SS0402BNAA
21	0151M00037	GAS VALVE	M2 - DM92SS0603BNAA
31	0163F00004	ORIFICE (QTY A/R)	M3 - DM92SS0803BNAA
41	0130F00010	FLAME SENSOR	M4 - DM92SS0804CNAA
51	0130F00123	MANUAL RESET LIMIT-ROS (M2)	M5 - DM92SS0805CNAA
51	10123517	MANUAL RESET LIMIT-ROS (M1)	M6 - DM92SS1004CNAA
51	10123529	MANUAL RESET LIMIT-ROS (M8)	M7 - DM92SS1005CNAA
51	10123534	MANUAL RESET LIMIT-ROS (M4)	M8 - DM92SS1205DNAA
51	10123539	MANUAL RESET LIMIT-ROS (M3, M5, M6, M7)	
61	0163F00007	MANIFOLD (M1)	
61	0163F00008	MANIFOLD (M2)	
61	0163F00009	MANIFOLD (M4, M5)	
61	0163F00010	MANIFOLD (M6, M7)	
61	0163F00011	MANIFOLD (M8)	
61	0163F00014	MANIFOLD (M3)	
71	0163F00017	BECKETT BURNER (QTY A/R)	
81	0121F00456	BRACKET-BURNER 2 (M1)	
81	0121F00455	BRACKET-BURNER 3 (M2)	
81	0121F00454	BRACKET-BURNER 4 (M3, M4, M5)	
81	0121F00453	BRACKET-BURNER 5 (M6, M7)	
81	0121F00451	BRACKET-BURNER 6 (M8)	
111	0121F00469	ORIFICE BRACKET-BURNER 2 (M1)	
111	0121F00468	ORIFICE BRACKET-BURNER 3 (M2)	
111	0121F00467	ORIFICE BRACKET-BURNER 4 (M3, M4, M5)	
111	0121F00466	ORIFICE BRACKET-BURNER 5 (M6, M7)	
111	0121F00465	ORIFICE BRACKET-BURNER 6 (M8)	
131	0161F00016	FRONT COVER (M3)	
131	0161F00018	FRONT COVER (M4, M5)	
131	0161F00023	FRONT COVER (M1)	
131	0161F00027	FRONT COVER (M6, M7)	
131	0161F00028	FRONT COVER (M8)	
131	0161F00031	FRONT COVER (M2)	
141	0154F00011	FRONT GASKET (M1, M2, M3)	
141	0154F00012	FRONT GASKET (M4, M5, M6, M7)	
141	0154F00013	FRONT GASKET (M8)	
151	0257F00250	HEAT EXCHANGER ASSY. (M1)	
151	0257F00268	HEAT EXCHANGER ASSY. (M2)	
151	0257F00339	HEAT EXCHANGER ASSY. (M3)	
151	0257F00340	HEAT EXCHANGER ASSY. (M4, M5)	
151	0257F00346	HEAT EXCHANGER ASSY. (M6, M7)	
151	0257F00347	HEAT EXCHANGER ASSY. (M8)	
161	M0326804	TUBE PLUG	
231	A1781105	CAP-VINYL .500	
261	0121F00317	REAR COVER (M1, M2, M3)	
261	0121F00318	REAR COVER (M4, M5, M6, M7)	
261	0121F00319	REAR COVER (M8)	
271	0154F00037	REAR COVER GASKET (M1, M2, M3)	
271	0154F00038	REAR COVER GASKET (M4, M5, M6, M7)	
271	0154F00039	REAR COVER GASKET (M8)	
371	20162907	PRIMARY LIMIT (M7)	
371	20162903	PRIMARY LIMIT - BLUE (M5, M6)	
371	0130F00036	PRIMARY LIMIT - PINK (M1, M2, M4)	
371	20162906	PRIMARY LIMIT - WHITE (M3)	
371	20162904	PRIMARY LIMIT-TEMPERATURE CONTROL (M8)	
NS	0121F00439	PRIMARY LIMIT-HEAT SHIELD	
NS	0121F00355	SHIELD, COIL (QTY 2)	