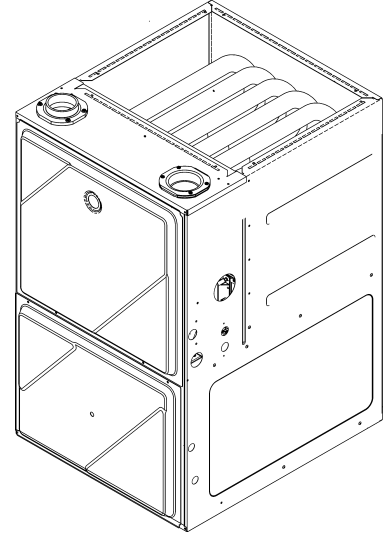


DM92SN 92% FER Up Flow Furnace

DM92SN0403ANAA
DM92SN0403ANAB
DM92SN0603BNAA
DM92SN0603BNAB
DM92SN0803BNAA
DM92SN0803BNAB
DM92SN0804CNAA
DM92SN0804CNAB
DM92SN0805CNAA
DM92SN0805CNAB
DM92SN1004CNAA
DM92SN1004CNAB
DM92SN1005CNAA
DM92SN1005CNAB
DM92SN1205DNAA
DM92SN1205DNAB



This manual is to be used by qualified technicians only.

This manual replaces RP-D2335

Important Information

Index

Functional Parts List	3
Illustration and Parts	4 - 11

Views shown are for parts illustrations only, not servicing procedures.

Text Codes:

AR - As Required

NA - Not Available

NS - Not Shown

00000000 - See Note

QTY - Quantity Example (QTY 3) (If Quantity not shown, Quantity = 1)

M - Model Example (M1) (If M Code not shown, then part is used on all Models)

Expanded Model Nomenclature:

Example
M1 - Model#1
M2 - Model#2
M3 - Model#3

Daikin Comfort Technologies Manufacturing , L.P. is not responsible for personal injury or property damage resulting from improper service. Review all service information before beginning repairs.

Warranty service must be performed by an authorized technician, using authorized factory parts. If service is required after the warranty expires, Daikin Comfort Technologies Manufacturing , L.P. also recommends contacting an authorized technician and using authorized factory parts.

Daikin Comfort Technologies Manufacturing , L.P. reserves the right to discontinue, or change at any time, specifications or designs without notice or without incurring obligations.

For assistance within the U.S.A. contact:
Homeowner Support
Daikin Comfort Technologies Manufacturing , L.P.
19001 Kermier Road
Waller, Texas 77484
855-770-5678-Telephone
713-863-2382-Facsimile

For assistance outside the U.S.A. contact:
International Division
Daikin Comfort Technologies Manufacturing , L.P.
19001 Kermier Road
Waller, Texas 77484
713-861-2500-Telephone
713-863-2382-Facsimile

Functional Parts

Part No: **Description:**

PCBBF166	1 STAGE IFC (M2, M4, M6, M8, M10, M12, M14, M16)
0163F00017	BECKETT BURNER (QTY 2)
0271F00463	BLOWER HOUSING ASSY (M7, M8, M11, M12)
0271F00462	BLOWER HOUSING ASSY (M3, M4, M5, M6)
PCBBF163	CIRCUIT BOARD, FURNACE (M1, M3, M5, M7, M9, M11, M13, M15)
0131F00114M	CONTROLLERLESS MOTOR (M9, M10, M13, M14, M15, M16)
0131F00113M	CONTROLLERLESS MOTOR (M7, M8, M11, M12)
0131F00112M	CONTROLLERLESS MOTOR (M1, M2, M3, M4, M5, M6)
0130F00010	FLAME SENSOR
0151M00037	GAS VALVE
0257F00414	HEAT EXCHANGER ASSY (M1, M2)
0257F00339	HEAT EXCHANGER ASSY. (M5, M6)
0257F00340	HEAT EXCHANGER ASSY. (M7, M8, M9, M10)
0257F00268	HEAT EXCHANGER ASSY. (M3, M4)
0257F00346	HEAT EXCHANGER ASSY. (M11, M12, M13, M14)
0257F00347	HEAT EXCHANGER ASSY. (M15, M16)
0130F00008	IGNITOR-SINI 17 SEC
0130M00243	INTERLOCK SWITCH
20162907	LIMIT, PRIMARY (M13, M14)
20162906	LIMIT, PRIMARY (M5, M6)
20162904	LIMIT, PRIMARY (M15, M16)
20162903	LIMIT, PRIMARY (M1, M2, M9, M10, M11, M12)
0130F00038	LIMIT, PRIMARY, 120, LT BLUE (QTY 2)
0130F00123	LIMIT, RESET MAN (M3, M4)
10123538	LIMIT-MAN-TAN (M1, M2)
10123529	LIMIT-RESET MAN-GREEN (M15, M16)
10123534	LIMIT-RESET MAN-ORANGE (M7, M8)
10123539	LIMIT-RESET MAN-ORANGE (M5, M6, M9, M10, M11, M12, M13, M14)
0271F00507	MORRISON 11 X 10 BLOWER (M9, M10, M13, M14)
0131F00262	MOTOR PROGRAMMED (M3, M4)
0131F00261	MOTOR PROGRAMMED (M1, M2)
0131F00268	MOTOR PROGRAMMED (M15, M16)
0131F00267	MOTOR PROGRAMMED (M13, M14)
0131F00266	MOTOR PROGRAMMED (M11, M12)
0131F00265	MOTOR PROGRAMMED (M9, M10)
0131F00264	MOTOR PROGRAMMED (M7, M8)
0131F00263	MOTOR PROGRAMMED (M5, M6)
0171M00008	MOTOR, ID BLOWER (M1, M2)
0171M00001	MOTOR-ID, BLOWER (M3, M4, M5, M6, M7, M8, M9, M10, M11, M12, M13, M14, M15, M16)
0130F00641	PRESSURE SWITCH (M1, M2)
0130F00036	PRIMARY LIMIT - PINK 180° (M3, M4, M7, M8)
0130F00441	SWITCH, PRESSURE (M5, M6, M11, M12, M13, M14)
0130F00442	SWITCH, PRESSURE (M3, M4, M7, M8, M9, M10, M15, M16)
0130M00140	TRANSFORMER 120V TO 24V, 40VA
0150M00042	WHEEL, BLOWER (10 X 10) (M7, M8, M11, M12)
0150M00043	WHEEL, BLOWER (10 X 8) (M3, M4, M5, M6)
0150M00061	WHEEL,BLOWER (M1, M2)

SPECIAL PARTS

0161F00090 NAMEPLATE, DAIKIN

Expanded Model Nomenclature

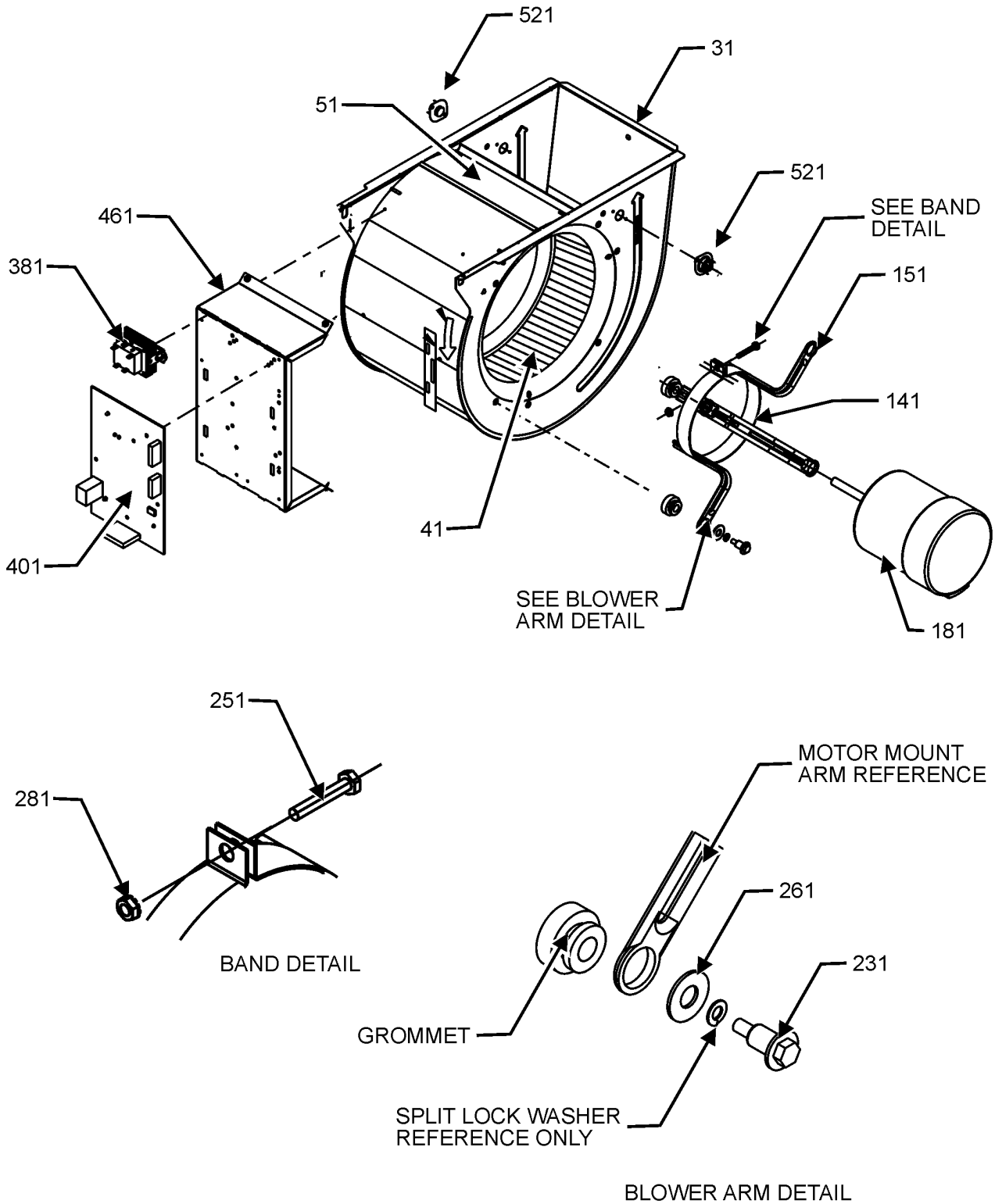
M1 - DM92SN0403ANAA
M2 - DM92SN0403ANAB
M3 - DM92SN0603BNAA
M4 - DM92SN0603BNAB
M5 - DM92SN0803BNAA
M6 - DM92SN0803BNAB
M7 - DM92SN0804CNAA
M8 - DM92SN0804CNAB
M9 - DM92SN0805CNAA
M10 - DM92SN0805CNAB
M11 - DM92SN1004CNAA
M12 - DM92SN1004CNAB
M13 - DM92SN1005CNAA
M14 - DM92SN1005CNAB
M15 - DM92SN1205DNAA
M16 - DM92SN1205DNAB

Cabinet Assembly

Ref. Part No:	Part No:	Description:	Ref. Part No:	Part No:	Description:
Image 1:			Expanded Model Nomenclature		
11	0270F05402	DRAIN KIT ASSY	M1	-	DM92SN0403ANAA
21	0270F05402	DRAIN KIT ASSY	M2	-	DM92SN0403ANAB
111	0154F00024	GASKET (QTY 2)	M3	-	DM92SN0603BNAA
121	0154F00025	GASKET (QTY 2)	M4	-	DM92SN0603BNAB
141	0161F00046	DRAIN TRAP	M5	-	DM92SN0803BNAA
191	0121F00338NG	DOOR ACCESS 21" PNT (M7, M8, M9, M10, M11, M12, M13, M14)	M6	-	DM92SN0803BNAB
191	0121F00337NG	DOOR, ACCESS 17.5" PNT (M3, M4, M5, M6)	M7	-	DM92SN0804CNAA
191	0121F00339NG	DOOR, ACCESS 24.5" PNT (M15, M16)	M8	-	DM92SN0804CNAB
191	0121F00673NG	PNT, DOOR, ACCESS 14" (M1, M2)	M9	-	DM92SN0805CNAA
201	0121F00340NG	DOOR, BLOWER 17.5" PNT (M3, M4, M5, M6)	M10	-	DM92SN0805CNAB
201	0121F00341NG	DOOR, BLOWER 21" PNT (M7, M8, M9, M10, M11, M12, M13, M14)	M11	-	DM92SN1004CNAA
201	0121F00342NG	DOOR, BLOWER 24.5" PNT (M15, M16)	M12	-	DM92SN1004CNAB
201	0121F00671NG	PNT, DOOR, BLOWER 14" (M1, M2)	M13	-	DM92SN1005CNAA
281	B1392139	VIEW PORT BUSHING-BLOWER DOOR (QTY 2)	M14	-	DM92SN1005CNAB
311	0154F00020	GASKET, DECK (M3, M4, M5, M6)	M15	-	DM92SN1205DNAA
311	0154F00021	GASKET, DECK (M7, M8, M9, M10, M11, M12, M13, M14)	M16	-	DM92SN1205DNAB
311	0154F00022	GASKET, DECK (M15, M16)			
311	0154F00063	GASKET, DECK (M1, M2)			
341	0164F00017	HOSE-ELBOW/TRAP			
351	0164F00020	DRAIN HOSE (M1, M2)			
351	0164F00006	HOSE, COVER/TRAP (M15, M16)			
351	0164F00024	HOSE, COVER/TRAP (M3, M4, M5, M6, M7, M8, M9, M10, M11, M12, M13, M14)			
451	M0501301	PIPE GROMMET			
491	M0570808	BUTTON PLUG (QTY 3)			
501	M0570806	BUTTON PLUG			
511	M0570807	BUTTON PLUG			
521	0161M00027	PLUG, HOLE (M1, M2, M3, M4, M5, M6, M11, M12, M13, M14)			
601	B1392021	PLASTIC PLUG, 1" (2713-BLK) (QTY 4)			
741	B1392104	UNIVERSAL BUSHING UB 875			
NS	M0310345	BUTTON PLUG (QTY 2)			
NS	0163M00319	HEX NUT-INSERT (QTY 3)			
NS	0161F00090	NAMEPLATE, DAIKIN			
NS	M0273904	RETAINER-SCREW (QTY 3)			
NS	M0209730	SCREW-DECORATIVE (QTY 3)			

Blower Assembly

BLOWER ASSEMBLY



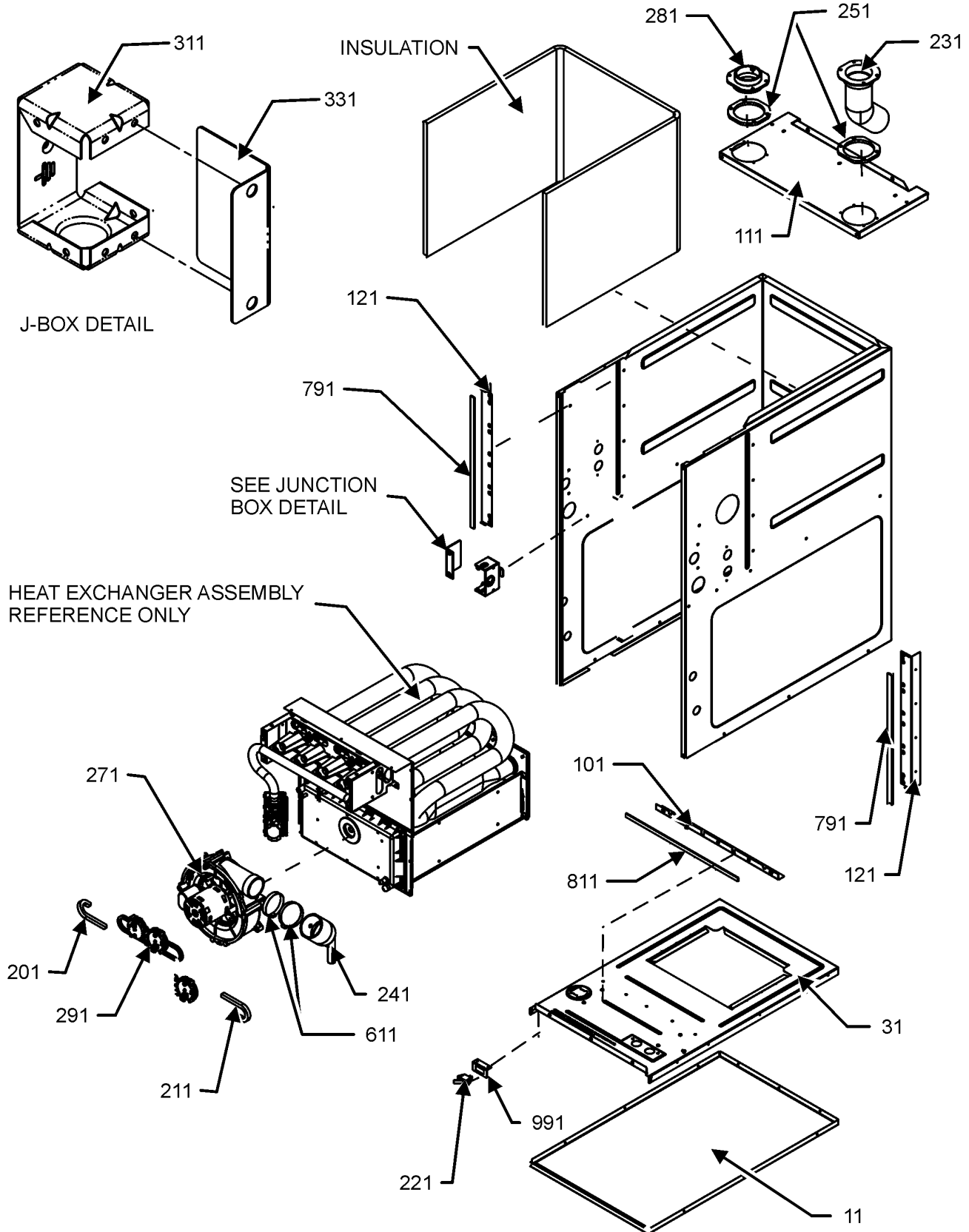
BLOWER ASSEMBLY MAY DIFFER FROM WHAT IS SHOWN

Blower Assembly

Ref. Part No:	Description:	Ref. Part No:	Description:
Image 1:		Expanded Model Nomenclature	
31	0271F00462	BLOWER HOUSING ASSY (M3, M4, M5, M6)	M1 - DM92SN0403ANAA
31	0271F00463	BLOWER HOUSING ASSY (M7, M8, M11, M12)	M2 - DM92SN0403ANAB
31	0271F00323	BLOWER HSG ASSY (M1, M2)	M3 - DM92SN0603BNAA
31	0271F00507	MORRISON 11 X 10 BLOWER (M9, M10, M13, M14)	M4 - DM92SN0603BNAB
31	0271F00508	MORRISON 11 X 11 BLOWER (M15, M16)	M5 - DM92SN0803BNAA
41	0150M00042	WHEEL, BLOWER (10 X 10) (M7, M8, M11, M12)	M6 - DM92SN0803BNAB
41	0150M00043	WHEEL, BLOWER (10 X 8) (M3, M4, M5, M6)	M7 - DM92SN0804CNA A
41	0150M00061	WHEEL, BLOWER (M1, M2)	M8 - DM92SN0804CNAB
51	764741	BLWR BLK-OFF, 10X10 (M7, M8, M11, M12)	M9 - DM92SN0805CNA A
51	764739	BLWR BLK-OFF, 10X6 (M1, M2)	M10 - DM92SN0805CNAB
51	764740	BLWR BLK-OFF, 10X8 (M3, M4, M5, M6)	M11 - DM92SN1004CNA A
141	0121M00039	MOUNT BAND, MOTOR (HEAVY DUTY)	M12 - DM92SN1004CNAB
151	0163M00538	MOUNT ARM, MOTOR (QTY 3)	M13 - DM92SN1005CNA A
181	0131F00112M	CONTROLLERLESS MOTOR (M1, M2, M3, M4, M5, M6)	M14 - DM92SN1005CNAB
181	0131F00113M	CONTROLLERLESS MOTOR (M7, M8, M11, M12)	M15 - DM92SN1205DNA A
181	0131F00114M	CONTROLLERLESS MOTOR (M9, M10, M13, M14, M15, M16)	M16 - DM92SN1205DNAB
181	0131F00261	MOTOR PROGRAMMED (M1, M2)	
181	0131F00262	MOTOR PROGRAMMED (M3, M4)	
181	0131F00263	MOTOR PROGRAMMED (M5, M6)	
181	0131F00264	MOTOR PROGRAMMED (M7, M8)	
181	0131F00265	MOTOR PROGRAMMED (M9, M10)	
181	0131F00266	MOTOR PROGRAMMED (M11, M12)	
181	0131F00267	MOTOR PROGRAMMED (M13, M14)	
181	0131F00268	MOTOR PROGRAMMED (M15, M16)	
231	M0250565	TC SCREW 1.25" (QTY 3)	
251	0163M00320	HEX HEAD ALL THREAD TAP BOLT	
261	B1392918	WASHER, FLAT 1/4 ID X 1 OD (QTY 3)	
281	B1393800	LOCKNUT, NYLON, INSERT 1/4, 20	
381	0130M00140	TRANSFORMER 120V TO 24V, 40VA	
401	PCBBF166	1 STAGE IFC (M2, M4, M6, M8, M10, M12, M14, M16)	
401	PCBBF163	CIRCUIT BOARD, FURNACE (M1, M3, M5, M7, M9, M11, M13, M15)	
461	0121F00464	MOUNTING PLATE-CONTROLS	
521	0130F00038	LIMIT, PRIMARY, 120, LT BLUE (QTY 2)	
NS	0159F00160	CTM, MOTOR HARNESS	
NS	M0282015	KEPS NUT (M9, M10, M13, M14, M15, M16)	
NS	M0267144	MACHINE SCREW (M9, M10, M13, M14, M15, M16)	
NS	B1392021	PLASTIC PLUG, 1" (2713-BLK) (QTY 4)	
NS	B1392820	WASHER, SPLIT LOCK 1/4 BZ (M9, M10, M13, M14, M15, M16)	
NS	0259F00024	WIRE HARNESS-BLOWER	

Chassis Assembly

CHASSIS ASSEMBLY



CHASSIS ASSEMBLY MAY DIFFER FROM WHAT IS SHOWN

Chassis Assembly

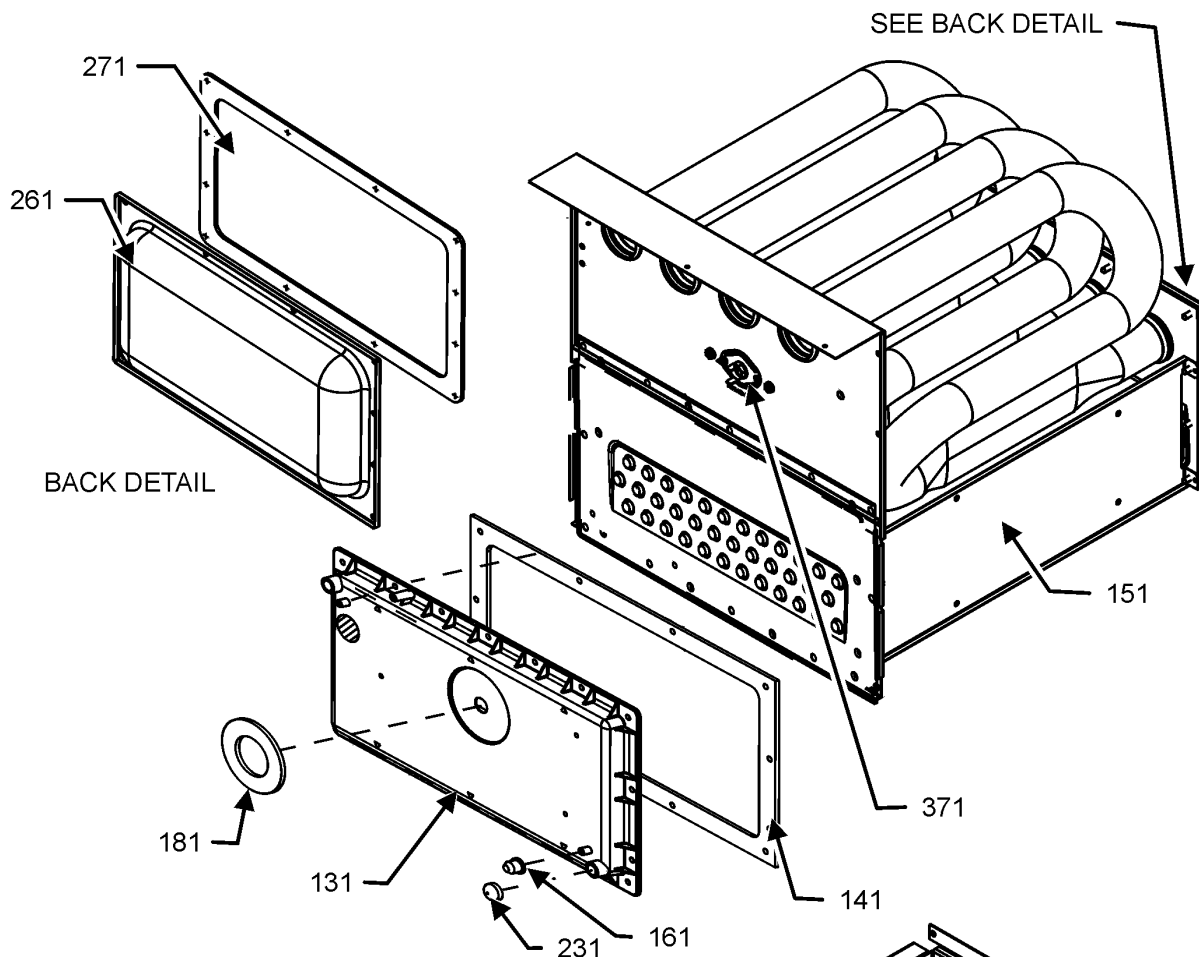
Ref. Part No:	Ref. Part No:	Description:	Description:
Image 1:		Image 1:	
11	0121F00530DG	BASEPAN, 17.5 (M3, M4, M5, M6)	NS 0159F00142 WIRE HARNESS (M1, M2)
11	0121F00531DG	BASEPAN, 21 PNT (M7, M8, M9, M10, M11, M12, M13, M14)	NS 0159F00143 WIRE HARNESS (M3, M4, M5, M6, M7, M8, M9, M10, M11, M12, M13, M14, M15, M16)
11	0121F00532DG	BASEPAN, 24.5 PNT (M15, M16)	
11	0121F00664DG	BASEPAN, 14 PNT (M1, M2)	
31	0121F00766	DECK- BLOWER 17.5" (M3, M4, M5, M6)	
31	0121F00767	DECK- BLOWER 21" (M7, M8, M9, M10, M11, M12, M13, M14)	
31	0121F00768	DECK- BLOWER 24.5" (M15, M16)	
31	0121F00663	DECK, BLOWER 14" (M1, M2)	
101	0121F00314	ANGLE, DECK (M3, M4, M5, M6)	
101	0121F00315	ANGLE, DECK (M7, M8, M9, M10, M11, M12, M13, M14)	
101	0121F00316	ANGLE, DECK (M15, M16)	
101	0121F00661	ANGLE, DECK (M1, M2)	
111	0121F00279DG	PAINTED TOP, FURNACE 17.5 (M3, M4, M5, M6)	
111	0121F00280DG	PAINTED TOP, FURNACE 21 (M7, M8, M9, M10, M11, M12, M13, M14)	
111	0121F00281DG	PAINTED TOP, FURNACE 24.5 (M15, M16)	
111	0121F00662DG	PNT, FURNACE TOP 14" (M1, M2)	
121	0121F00313	ANGLE, SIDE (QTY 2)	
201	0164M00118	HOSE- PRESSURE SW 10" (M1, M2)	
201	0164M00117	HOSE- PRESSURE SW 8" (M3, M4, M5, M6, M7, M8, M9, M10, M11, M12, M13, M14, M15, M16)	
211	0164M00119	HOSE- PRESSURE SW 12"	
221	0130M00243	INTERLOCK SWITCH	
231	0164F00002	FLUE PIPE W/BEND	
241	0164F00025	ELBOW-FLUE, UPFLOW	
251	0154F00041	FRESH AIR GASKET	
271	0171M00008	MOTOR, ID BLOWER (M1, M2)	
271	0171M00001	MOTOR-ID, BLOWER (M3, M4, M5, M6, M7, M8, M9, M10, M11, M12, M13, M14, M15, M16)	
281	0161F00037	COUPLING	
291	0130F00641	PRESSURE SWITCH (M1, M2)	
291	0130F00441	SWITCH, PRESSURE (M5, M6, M11, M12, M13, M14)	
291	0130F00442	SWITCH, PRESSURE (M3, M4, M7, M8, M9, M10, M15, M16)	
311	0161F00042	JUNCTION BOX PLA	
331	0161F00043	JUNCTION BOX LID	
611	0163M00460	CLAMP-HOSE (QTY 2)	
791	0154F00015	GASKET (QTY 2)	
811	0154F00014	GASKET (M3, M4, M5, M6)	
811	0154F00016	GASKET (M7, M8, M9, M10, M11, M12, M13, M14)	
811	0154F00064	GASKET (M1, M2)	
811	20194607	GASKET (M15, M16)	
991	0121F00389	BRACKET, DOOR SWITCH	
NS	0154F00041	FRESH AIR GASKET	
NS	0160F00025	INSULATION, HT EXCHANGER (M1, M2)	
NS	0160F00015	INSULATION, HT EXCHANGER 17.5" (M3, M4, M5, M6)	
NS	0160F00016	INSULATION, HT EXCHANGER 21" (M7, M8, M9, M10, M11, M12, M13, M14)	
NS	0160F00017	INSULATION, HT EXCHANGER 24.5" (M15, M16)	
NS	M0326804	PLUG-TUBE	

Expanded Model Nomenclature

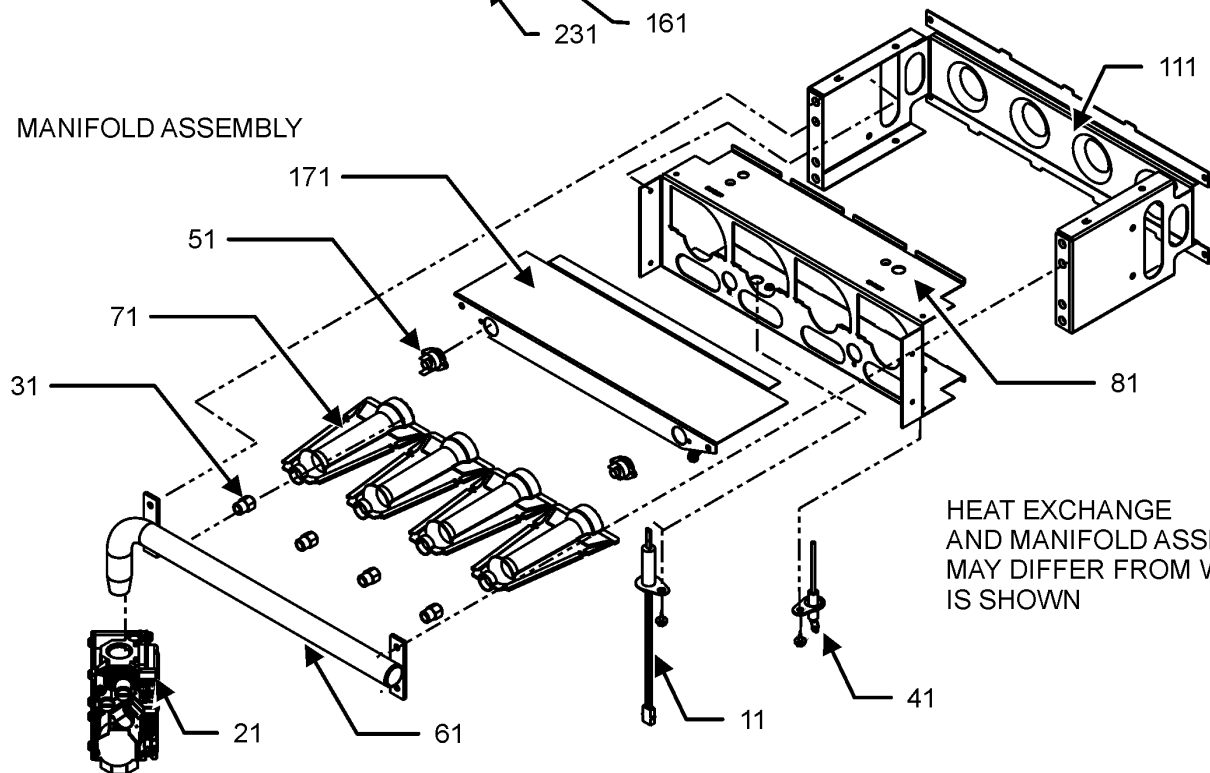
M1 - DM92SN0403ANAA
M2 - DM92SN0403ANAB
M3 - DM92SN0603BNAA
M4 - DM92SN0603BNAB
M5 - DM92SN0803BNAA
M6 - DM92SN0803BNAB
M7 - DM92SN0804CNA A
M8 - DM92SN0804CNAB
M9 - DM92SN0805CNA A
M10 - DM92SN0805CNAB
M11 - DM92SN1004CNA A
M12 - DM92SN1004CNAB
M13 - DM92SN1005CNA A
M14 - DM92SN1005CNAB
M15 - DM92SN1205DNA A
M16 - DM92SN1205DNAB

Heat Exchange and Manifold Assembly

HEAT EXCHANGE ASSEMBLY



MANIFOLD ASSEMBLY



Heat Exchange and Manifold Assembly

Ref. Part No:	Ref. Part No:	Description:	Description:
Image 1:		Image 1:	
11	0130F00008	IGNITOR-SINI 17 SEC	261 0121F00318 COVER, REAR (M7, M8, M9, M10, M11, M12, M13, M14)
21	0151M00037	GAS VALVE	261 0121F00319 COVER, REAR (M15, M16)
31	10716005	ORIFICE (QTY 2)	261 0121F00670 COVER, REAR (M1, M2)
41	0130F00010	FLAME SENSOR	271 0154F00058 GASKET REAR CVR (M1, M2)
51	0130F00123	LIMIT, RESET MAN (M3, M4)	271 0154F00037 GASKET, REAR CVR (M3, M4, M5, M6)
51	10123538	LIMIT-MAN-TAN (M1, M2)	271 0154F00038 GASKET, REAR CVR (M7, M8, M9, M10, M11, M12, M13, M14)
51	10123529	LIMIT-RESET MAN-GREEN (M15, M16)	271 0154F00039 GASKET, REAR CVR (M15, M16)
51	10123534	LIMIT-RESET MAN-ORANGE (M7, M8)	371 20162903 LIMIT, PRIMARY (M1, M2, M9, M10, M11, M12)
51	10123539	LIMIT-RESET MAN-ORANGE (M5, M6, M9, M10, M11, M12, M13, M14)	371 20162904 LIMIT, PRIMARY (M15, M16)
61	0163F00007	MANIFOLD (M1, M2)	371 20162906 LIMIT, PRIMARY (M5, M6)
61	0163F00008	MANIFOLD (M3, M4)	371 20162907 LIMIT, PRIMARY (M13, M14)
61	0163F00009	MANIFOLD (M7, M8, M9, M10)	371 0130F00036 PRIMARY LIMIT - PINK 180° (M3, M4, M7, M8)
61	0163F00010	MANIFOLD (M11, M12, M13, M14)	NS 0121F00582 INSULATION, RETAINER (M1, M2)
61	0163F00011	MANIFOLD (M15, M16)	NS 0121F00583 INSULATION, RETAINER (M3, M4, M5, M6)
61	0163F00014	MANIFOLD (M5, M6)	NS 0121F00584 INSULATION, RETAINER (M7, M8, M9, M10, M11, M12, M13, M14)
71	0163F00017	BECKETT BURNER (QTY 2)	NS 0121F00585 INSULATION, RETAINER (M15, M16)
81	0121F00456	BRACKET-BURNER 2 (M1, M2)	NS 0121F00439 PRIMARY LIMIT-HEAT SHIELD
81	0121F00455	BRACKET-BURNER 3 (M3, M4)	NS 0121F00355 SHIELD, COIL (QTY 2)
81	0121F00454	BRACKET-BURNER 4 (M5, M6, M7, M8, M9, M10)	
81	0121F00453	BRACKET-BURNER 5 (M11, M12, M13, M14)	
81	0121F00451	BRACKET-BURNER 6 (M15, M16)	
111	0121F00469	ORIFICE BRACKET-BURNER 2 (M1, M2)	
111	0121F00468	ORIFICE BRACKET-BURNER 3 (M3, M4)	
111	0121F00467	ORIFICE BRACKET-BURNER 4 (M5, M6, M7, M8, M9, M10)	
111	0121F00466	ORIFICE BRACKET-BURNER 5 (M11, M12, M13, M14)	
111	0121F00465	ORIFICE BRACKET-BURNER 6 (M15, M16)	
131	0161F00016	COVER, FRONT (M5, M6)	
131	0161F00018	COVER, FRONT (M7, M8, M9, M10)	
131	0161F00027	COVER, FRONT (M11, M12, M13, M14)	
131	0161F00028	COVER, FRONT (M15, M16)	
131	0161F00031	COVER, FRONT (M3, M4)	
131	0161F00076	COVER, FRONT (M1, M2)	
141	0154F00026	GASKET FRONT COVER (M3, M4, M5, M6)	
141	0154F00030	GASKET FRONT COVER (M7, M8, M9, M10, M11, M12, M13, M14)	
141	0154F00034	GASKET FRONT COVER (M15, M16)	
141	0154F00062	GASKET FRONT COVER (M1, M2)	
151	0257F00414	HEAT EXCHANGER ASSY (M1, M2)	
151	0257F00268	HEAT EXCHANGER ASSY. (M3, M4)	
151	0257F00339	HEAT EXCHANGER ASSY. (M5, M6)	
151	0257F00340	HEAT EXCHANGER ASSY. (M7, M8, M9, M10)	
151	0257F00346	HEAT EXCHANGER ASSY. (M11, M12, M13, M14)	
151	0257F00347	HEAT EXCHANGER ASSY. (M15, M16)	
161	M0326804	TUBE PLUG	
171	0121F00540	SHEILD, BURNER (M3, M4)	
171	0121F00541	SHEILD, BURNER (M5, M6, M7, M8, M9, M10)	
171	0121F00542	SHEILD, BURNER (M11, M12, M13, M14)	
171	0121F00543	SHEILD, BURNER (M15, M16)	
171	0121F00755	SHIELD, BURNER (M1, M2)	
181	0154F00043	GASKET ID BLOWER	
231	A1781105	CAP-VINYL .500	
261	0121F00317	COVER, REAR (M3, M4, M5, M6)	

Expanded Model Nomenclature

M1 - DM92SN0403ANAA
M2 - DM92SN0403ANAB
M3 - DM92SN0603BNAA
M4 - DM92SN0603BNAB
M5 - DM92SN0803BNAA
M6 - DM92SN0803BNAB
M7 - DM92SN0804CNAA
M8 - DM92SN0804CNAB
M9 - DM92SN0805CNAA
M10 - DM92SN0805CNAB
M11 - DM92SN1004CNAA
M12 - DM92SN1004CNAB
M13 - DM92SN1005CNAA
M14 - DM92SN1005CNAB
M15 - DM92SN1205DNAA
M16 - DM92SN1205DNAB