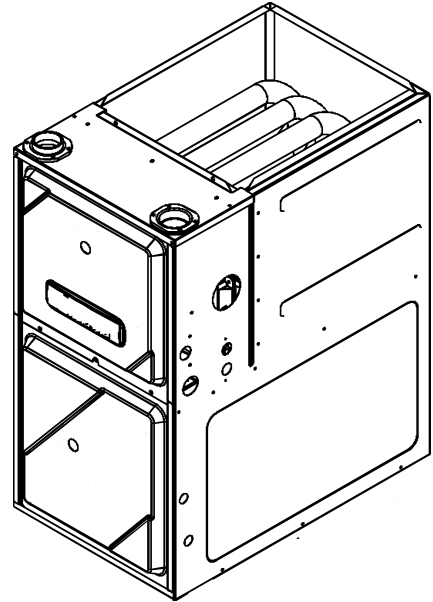


DM92SE High Efficient Furnace

DM92SE0403ANAA
DM92SE0603BNAA
DM92SE0803BNAA
DM92SE0804CNAA
DM92SE0805CNAA
DM92SE1004CNAA
DM92SE1005CNAA
DM92SE1205DNAA



This manual is to be used by qualified technicians only.

Important Information

Index

Functional Parts List	3
Illustration and Parts	4 - 11

Views shown are for parts illustrations only, not servicing procedures

Text Codes:

AR - As Required

NA - Not Available

NS - Not Shown

00000000 - See Note

QTY - Quantity Example (QTY 3) (If Quantity not shown, Quantity = 1)

M - Model Example (M1) (If M Code not shown, then part is used on all Models)

Expanded Model Nomenclature:

Example M1 - Model#1 M2 - Model#2 M3 - Model#3

Daikin Manufacturing Company, L.P. is not responsible for personal injury or property damage resulting from improper service. Review all service information before beginning repairs.

Warranty service must be performed by an authorized technician, using authorized factory parts. If service is required after the warranty expires, Daikin Manufacturing Company, L.P. also recommends contacting an authorized technician and using authorized factory parts.

Daikin Manufacturing Company, L.P. reserves the right to discontinue, or change at any time, specifications or designs without notice or without incurring obligations.

For assistance within the U.S.A. contact:

Homeowner Support
Daikin North America, LLC
19001 Kermier Road
Waller, Texas 77484
855-770-5678-Telephone
713-863-2382-Facsimile

For assistance outside the U.S.A. contact:

International Division
Daikin North America, LLC
19001 Kermier Road
Waller, Texas 77484
713-861-2500-Telephone
713-863-2382-Facsimile

Functional Parts

**Part
No:**

Description:

Expanded Model Nomenclature

0163F00017	BECKETT BURNER (QTY 2)
0271F00323	BLOWER HSG ASSY (M1)
0271F00181	BLOWER HSG ASSY (M2, M3)
0271F00182	BLOWER HSG ASSY (M4, M6)
0271F00161	BLOWER SHELL & WHEEL ASSY (M5, M7)
0271F00163	BLOWER SHELL & WHEEL ASSY (M8)
PCBBF145	CIRCUIT BOARD
0130F00010	FLAME SENSOR
0151M00037	GAS VALVE
0257F00414	HEAT EXCHANGER ASSY (M1)
0257F00268	HEAT EXCHANGER ASSY. (M2)
0257F00339	HEAT EXCHANGER ASSY. (M3)
0257F00340	HEAT EXCHANGER ASSY. (M4, M5)
0257F00347	HEAT EXCHANGER ASSY. (M8)
0257F00346	HEAT EXCHANGER ASSY. (M6, M7)
0130F00008	IGNITOR-SINI 17 SEC
0130M00243	INTERLOCK SWITCH
0130F00036	LIMIT, PRIMARY, 180, PINK (M2, M4)
20162903	LIMIT-BLUE (M1, M5, M6)
20162904	LIMIT-BROWN (M8)
20162907	LIMIT-ORANGE (M7)
20162906	LIMIT-WHITE (M3)
10123529	MANUAL RESET LIMIT - ROS (M8)
10123539	MANUAL RESET LIMIT - ROS (M3, M5, M6, M7)
10123538	MANUAL RESET LIMIT - ROS (M1)
10123534	MANUAL RESET LIMIT - ROS (M4)
0130F00123	MANUAL RESET LIMIT - ROS (M2)

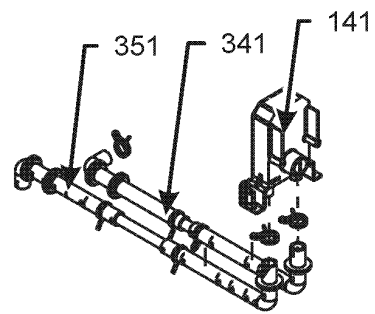
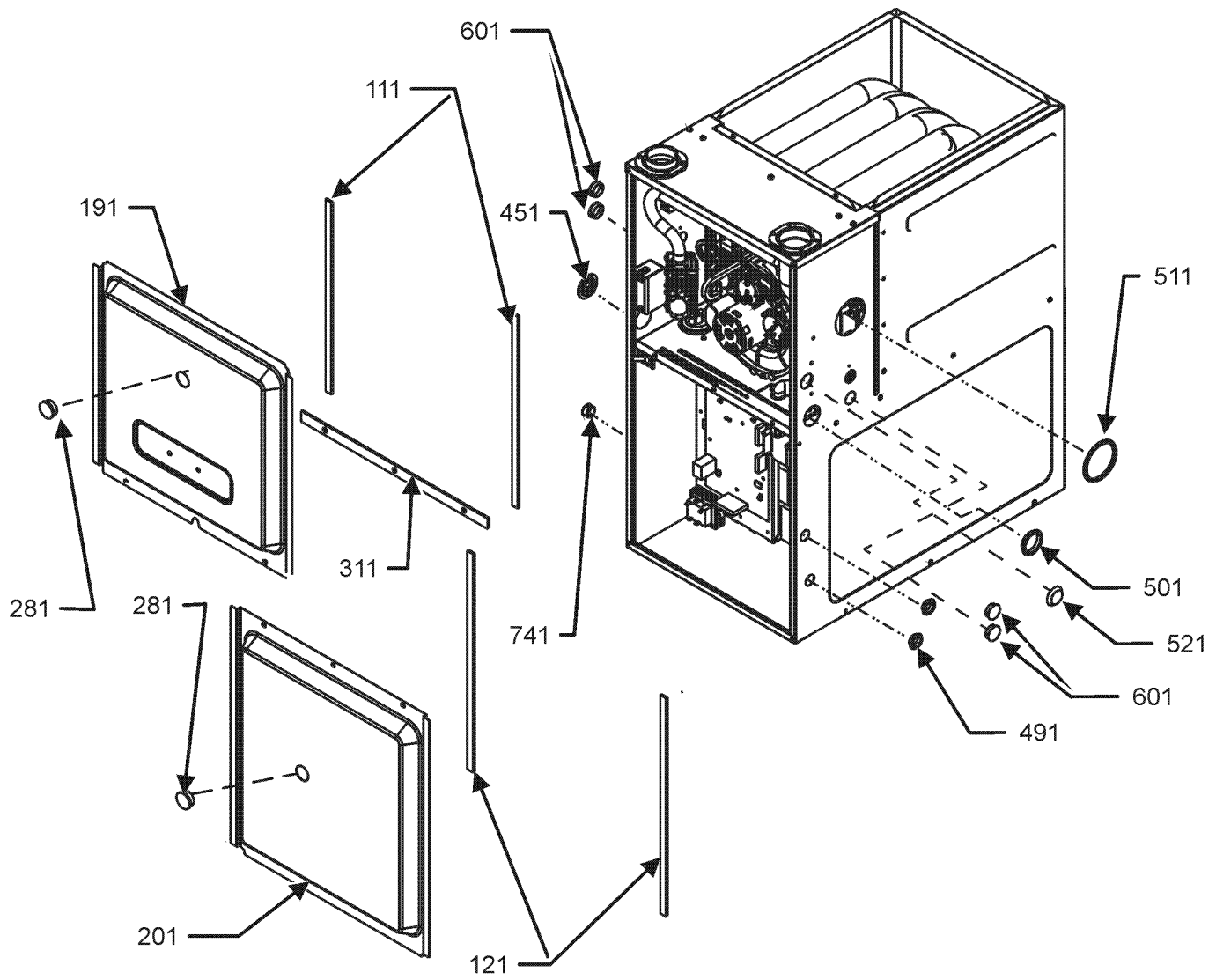
M1 - DM92SE0403ANAA
M2 - DM92SE0603BNAA
M3 - DM92SE0803BNAA
M4 - DM92SE0804CNAA
M5 - DM92SE0805CNAA
M6 - DM92SE1004CNAA
M7 - DM92SE1005CNAA
M8 - DM92SE1205DNAA

0131F00135	MOTOR, PROGRAM-X13 (M1)
0131F00142	MOTOR, PROGRAM-X13 (M8)
0131F00141	MOTOR, PROGRAM-X13 (M7)
0131F00136	MOTOR, PROGRAM-X13 (M2)
0131F00137	MOTOR, PROGRAM-X13 (M3)
0131F00138	MOTOR, PROGRAM-X13 (M4)
0131F00139	MOTOR, PROGRAM-X13 (M5)
0131F00140	MOTOR, PROGRAM-X13 (M6)
0130F00641	PRESSURE SWITCH (M1)
0130F00038	PRIMARY LIMIT - LT BLUE 120° (QTY 2)
0130F00442	SWITCH, PRESSURE (M2, M4, M5, M8)
0130F00441	SWITCH, PRESSURE (M3, M6, M7)
0130M00140	TRANSFORMER 120V TO 24V, 40VA
0150M00042	WHEEL, BLOWER (10 X 10) (M4, M6)
0150M00043	WHEEL, BLOWER (10 X 8) (M2, M3)

SPECIAL PARTS

0161F00090	NAMEPLATE, DAIKIN
------------	-------------------

Cabinet Assembly



DRAIN TRAP ASSEMBLY

Cabinet Assembly

Ref. Part No: No:	Description:	Ref. Part No: No:	Description:
-------------------	--------------	-------------------	--------------

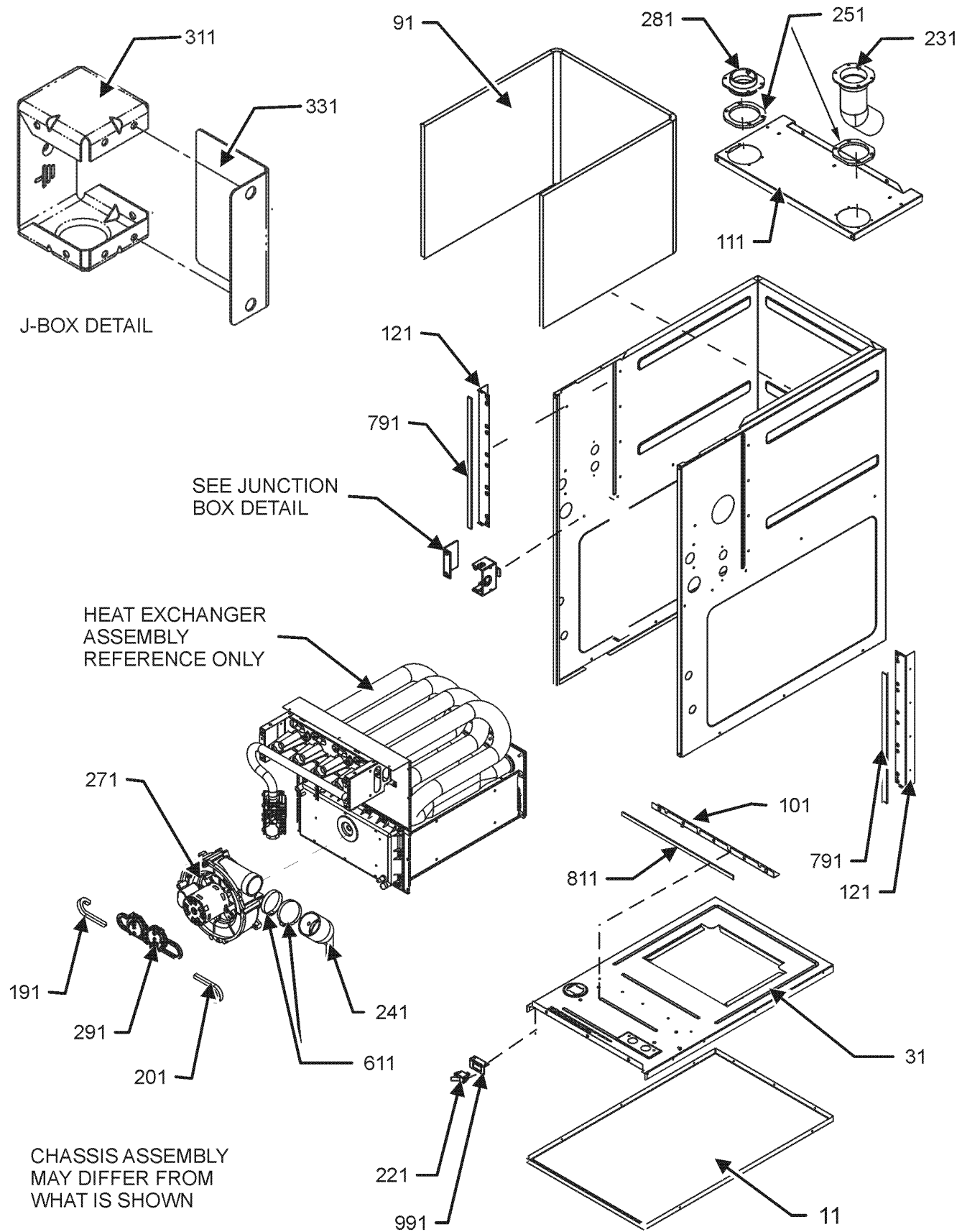
Image 1:

111	0154F00024	GASKET (QTY 2)
121	0154F00025	GASKET (QTY 2)
141	0161F00046	DRAIN TRAP
191	0121F00337NG	DOOR, ACCESS 17.5" PNT (M2, M3)
191	0121F00338NG	DOOR, ACCESS 21" PNT (M4, M5, M6, M7)
191	0121F00339NG	DOOR, ACCESS 24.5" PNT (M8)
191	0121F00673NG	PNT, DOOR, ACCESS 14" (M1)
201	0121F00340NG	DOOR, BLOWER 17.5" PNT (M2, M3)
201	0121F00341NG	DOOR, BLOWER 21" PNT (M4, M5, M6, M7)
201	0121F00342NG	DOOR, BLOWER 24.5" PNT (M8)
201	0121F00671NG	PNT, DOOR, BLOWER 14" (M1)
281	B1392139	VIEW PORT BUSHING-BLOWER DOOR (QTY 2)
311	0154F00020	GASKET, DECK (M2, M3)
311	0154F00021	GASKET, DECK (M4, M5, M6, M7)
311	0154F00022	GASKET, DECK (M8)
311	0154F00063	GASKET, DECK (M1)
341	0164F00017	HOSE-ELBOW/TRAP
351	0164F00020	DRAIN HOSE (M1)
351	0164F00006	HOSE, COVER/TRAP (M2, M3, M4, M5, M6, M7, M8)
381	0161F00047	COUPLING, HOSE BARBED
451	M0501301	PIPE GROMMET
491	M0570808	BUTTON PLUG (QTY 3)
501	M0570806	BUTTON PLUG
511	M0570807	BUTTON PLUG
521	0161M00027	PLUG, HOLE (M1, M2, M3, M6, M7)
601	B1392021	PLASTIC PLUG, 1" (2713-BLK) (QTY 4)
741	B1392104	UNIVERSAL BUSHING UB 875
NS	M0310345	BUTTON PLUG (QTY 2)
NS	0270F04115	DRAIN KIT ASSY UF
NS	0163M00319	HEX NUT-INSERT (QTY 3)
NS	0161F00090	NAMEPLATE, DAIKIN
NS	M0273904	RETAINER-SCREW (QTY 3)
NS	M0209730	SCREW-DECORATIVE (QTY 3)

Expanded Model Nomenclature

- | |
|---------------------|
| M1 - DM92SE0403ANAA |
| M2 - DM92SE0603BNAA |
| M3 - DM92SE0803BNAA |
| M4 - DM92SE0804CNAA |
| M5 - DM92SE0805CNAA |
| M6 - DM92SE1004CNAA |
| M7 - DM92SE1005CNAA |
| M8 - DM92SE1205DNAA |

Chassis Assembly



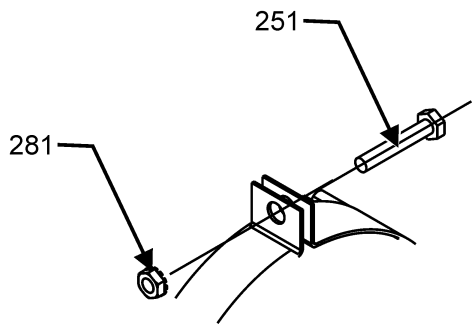
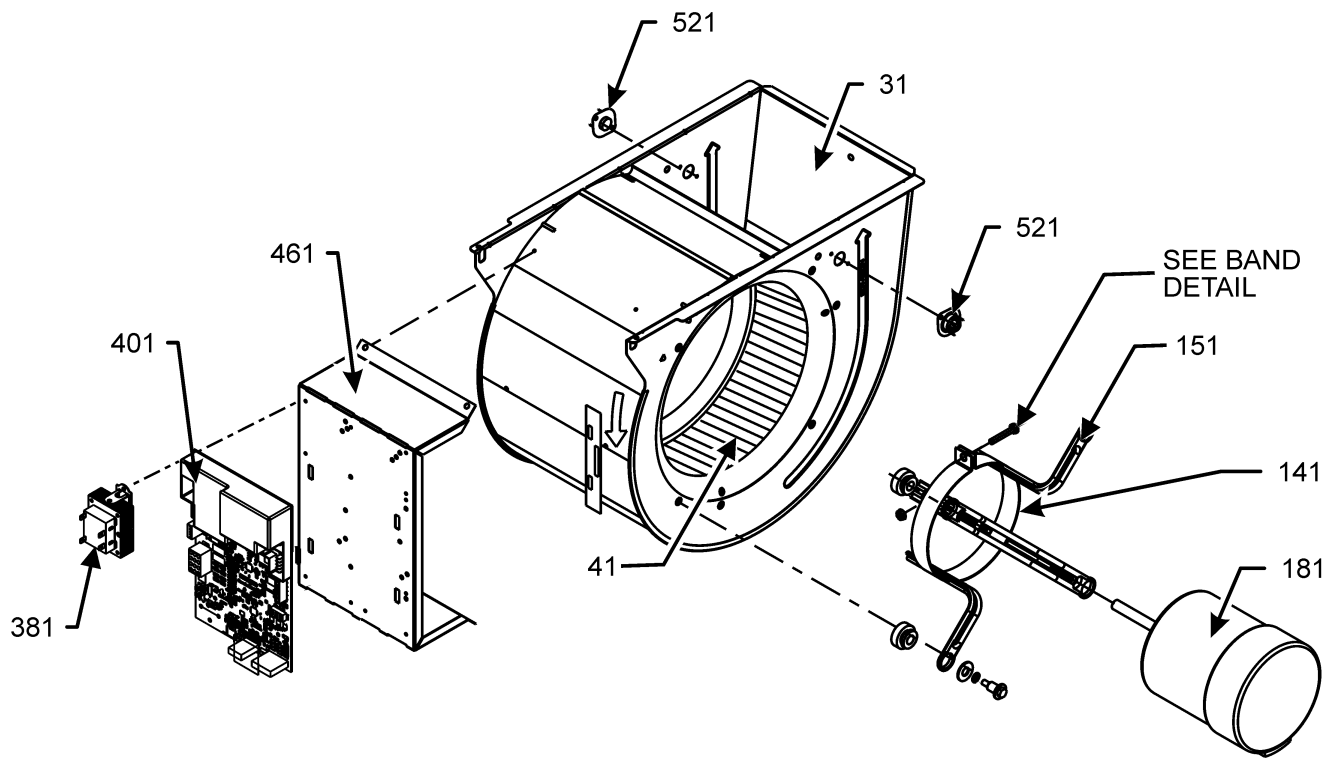
Chassis Assembly

Ref. Part No:	No:	Description:	Ref. Part No:	No:	Description:
Image 1:			Expanded Model Nomenclature		
11	0121F00530DG	BASEPAN, 17.5 (M2, M3)	M1	-	DM92SE0403ANAA
11	0121F00531DG	BASEPAN, 21 PNT (M4, M5, M6, M7)	M2	-	DM92SE0603BNAA
11	0121F00532DG	BASEPAN, 24.5 PNT (M8)	M3	-	DM92SE0803BNAA
11	0121F00664DG	BASEPAN, 14 PNT (M1)	M4	-	DM92SE0804CNAA
31	0121F00663	DECK, BLOWER 14" (M1)	M5	-	DM92SE0805CNAA
31	0121F00533	DECK-BLOWER 17.5" (M2, M3)	M6	-	DM92SE1004CNAA
31	0121F00534	DECK-BLOWER 21" (M4, M5, M6, M7)	M7	-	DM92SE1005CNAA
31	0121F00535	DECK-BLOWER 24.5" (M8)	M8	-	DM92SE1205DNAA
91	0160F00025	INSULATION, HT EXCHANGER (M1)			
91	0160F00015	INSULATION, HT EXCHANGER 17.5" (M2, M3)			
91	0160F00016	INSULATION, HT EXCHANGER 21" (M4, M5, M6, M7)			
91	0160F00017	INSULATION, HT EXCHANGER 24.5" (M8)			
101	0121F00314	ANGLE, DECK (M2, M3)			
101	0121F00315	ANGLE, DECK (M4, M5, M6, M7)			
101	0121F00316	ANGLE, DECK (M8)			
101	0121F00661	ANGLE, DECK (M1)			
111	0121F00279DG	PAINTED TOP, FURNACE 17.5 (M2, M3)			
111	0121F00280DG	PAINTED TOP, FURNACE 21 (M4, M5, M6, M7)			
111	0121F00281DG	PAINTED TOP, FURNACE 24.5 (M8)			
111	0121F00662DG	PNT, FURNACE TOP 14" (M1)			
121	0121F00313	SIDE ANGLE (QTY 2)			
191	0164M00015	PRESSURE SWITCH HOSE			
201	0164M00008	PRESSURE SWITCH HOSE (M2, M3, M4, M5, M6, M7, M8)			
201	0164M00009	PRESSURE SWITCH HOSE (M1)			
221	0130M00243	INTERLOCK SWITCH			
231	0164F00002	FLUE PIPE W/BEND			
241	0164F00001	ELBOW-FLUE, UPFLOW			
251	0154F00041	FRESH AIR GASKET			
271	0171M00008	MOTOR, ID BLOWER (M1)			
271	0171M00001	MOTOR-ID, BLOWER (M2, M3, M4, M5, M6, M7, M8)			
281	0161F00037	COUPLING			
291	0130F00641	PRESSURE SWITCH (M1)			
291	0130F00441	SWITCH, PRESSURE (M3, M6, M7)			
291	0130F00442	SWITCH, PRESSURE (M2, M4, M5, M8)			
311	0161F00042	JUNCTION BOX PLA			
331	0161F00043	JUNCTION BOX LID			
611	0163M00460	CLAMP-HOSE (QTY 2)			
791	0154F00015	GASKET (QTY 2)			
811	0154F00064	GASKET (M1)			
811	20179307	GASKET (M8)			
811	20179309	GASKET (M2, M3)			
811	20179310	GASKET (M4, M5, M6, M7)			
991	0121F00389	BRACKET, DOOR SWITCH			
NS	0159F00067	HARNESS, WIRING (M4, M5, M6, M7, M8)			
NS	0159F00098	HARNESS, WIRING (M1, M2, M3)			
NS	M0326804	PLUG-TUBE			
NS	0159F00076	WIRING HARNESS			

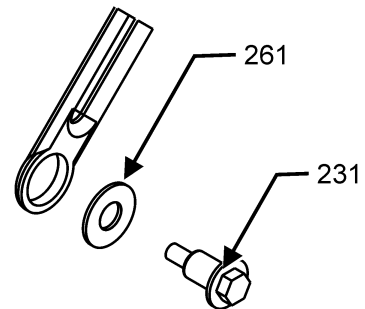
Blower Assembly

BLOWER ASSEMBLY

*If end bells are needed please order the following:
0131M00182 - 1/2 HP
0131M00183 - 3/4 HP
0131M00184 - 1 HP



BAND DETAIL



BLOWER ARM DETAIL

BLOWER ASSEMBLY MAY DIFFER FROM WHAT IS SHOWN

Blower Assembly

Ref. Part No:	Part No:	Description:	Ref. Part No:	Part No:	Description:
---------------	----------	--------------	---------------	----------	--------------

Image 1:

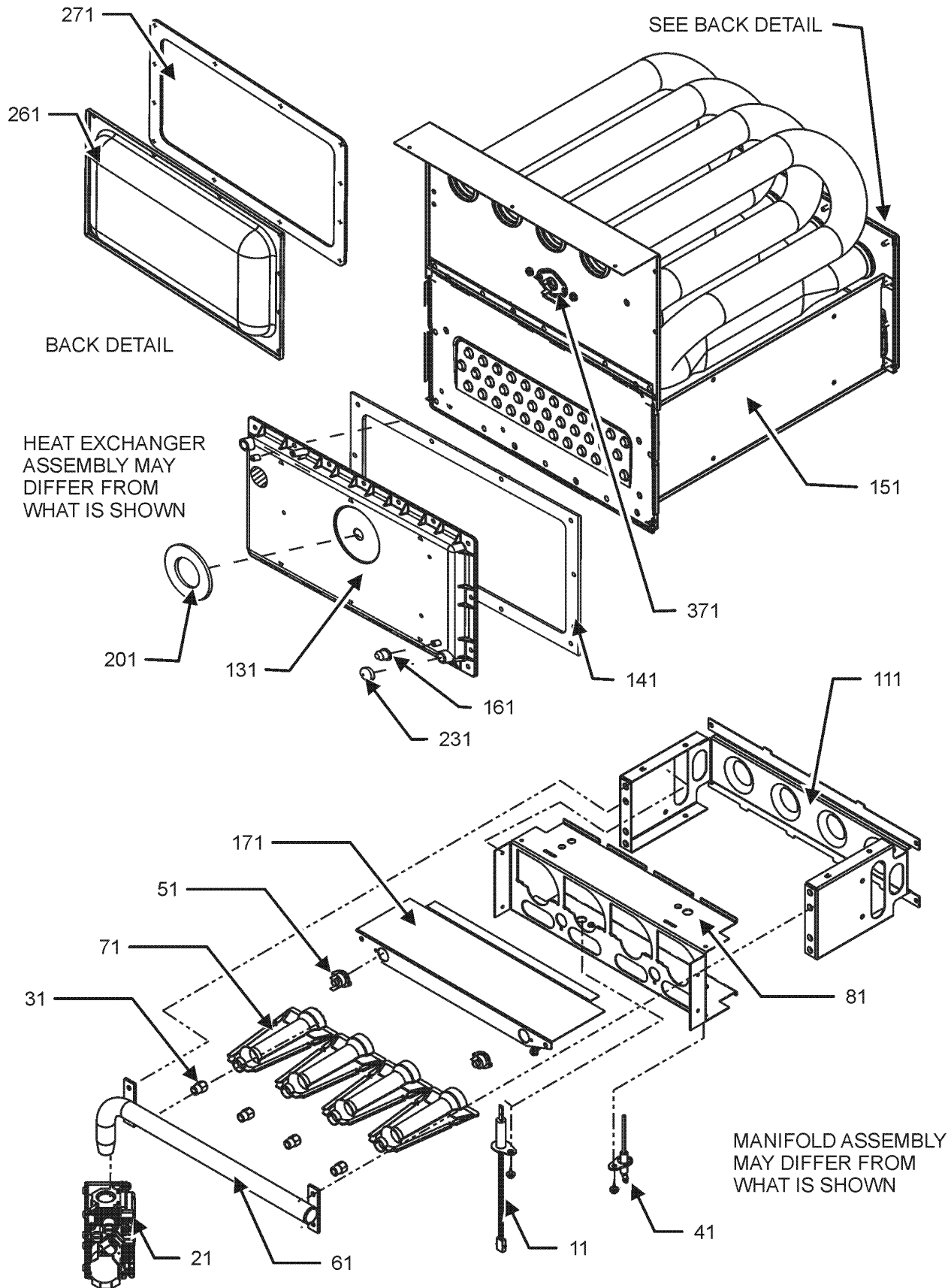
31	0271F00181	BLOWER HSG ASSY (M2, M3)
31	0271F00182	BLOWER HSG ASSY (M4, M6)
31	0271F00323	BLOWER HSG ASSY (M1)
31	0271F00161	BLOWER SHELL & WHEEL ASSY (M5, M7)
31	0271F00163	BLOWER SHELL & WHEEL ASSY (M8)
41	B1368034	BLOWER WHEEL 10 X 6 (M1)
41	0150M00042	WHEEL, BLOWER (10 X 10) (M4, M6)
41	0150M00043	WHEEL, BLOWER (10 X 8) (M2, M3)
51	764741	BLOWER BLOCK-OFF 10 X 10 (M4, M6)
51	764740	BLOWER BLOCK-OFF 10 X 8 (M2, M3)
51	764739	BLOWER CUT-OFF 10 X 6 (M1)
141	0121M00039	MOUNT BAND, MOTOR (HEAVY DUTY)
151	B1376863	MOUNT ARM, MOTOR (HEAVY DUTY) (QTY 3)

231	M0250565	SCREW-TC 1.25" (QTY 3)
251	0163M00320	HEX HEAD ALL THREAD TAP BOLT
261	B1392918	WASHER, FLAT 1/4 ID X 1 OD (QTY 3)
281	B1393800	LOCKNUT, NYLON, INSERT 1/4,20
381	0130M00140	TRANSFORMER 120V TO 24V, 40VA
401	PCBBF145	CIRCUIT BOARD
461	0121F00464	MOUNTING PLATE-CONTROLS
461	0121F00464	MOUNTING PLATE-CONTROLS
521	0130F00038	PRIMARY LIMIT - LT BLUE 120° (QTY 2)
181	0131F00135	MOTOR, PROGRAM-X13 (M1)
181	0131F00136	MOTOR, PROGRAM-X13 (M2)
181	0131F00137	MOTOR, PROGRAM-X13 (M3)
181	0131F00138	MOTOR, PROGRAM-X13 (M4)
181	0131F00139	MOTOR, PROGRAM-X13 (M5)
181	0131F00140	MOTOR, PROGRAM-X13 (M6)
181	0131F00141	MOTOR, PROGRAM-X13 (M7)
181	0131F00142	MOTOR, PROGRAM-X13 (M8)
NS	B1392021	PLASTIC PLUG, 1" (2713-BLK) (QTY 4)
NS	0259F00024	WIRE HARNESS-BLOWER

Expanded Model Nomenclature

M1 - DM92SE0403ANAA
M2 - DM92SE0603BNAA
M3 - DM92SE0803BNAA
M4 - DM92SE0804CNAA
M5 - DM92SE0805CNAA
M6 - DM92SE1004CNAA
M7 - DM92SE1005CNAA
M8 - DM92SE1205DNAA

Heat Exchange Assembly



Heat Exchange Assembly

Ref. Part No:	Part No:	Description:	Ref. Part No:	Part No:	Description:
Image 1:			Image 1:		
11	0130F00008	IGNITOR-SINI 17 SEC	271	0154F00039	GASKET, REAR CVR (M8)
21	0151M00037	GAS VALVE	371	0130F00036	LIMIT, PRIMARY, 180, PINK (M2, M4)
31	10716005	ORIFICE (QTY 2)	371	20162903	LIMIT-BLUE (M1, M5, M6)
41	0130F00010	FLAME SENSOR	371	20162904	LIMIT-BROWN (M8)
51	0130F00123	MANUAL RESET LIMIT - ROS (M2)	371	20162907	LIMIT-ORANGE (M7)
51	10123529	MANUAL RESET LIMIT - ROS (M8)	371	20162906	LIMIT-WHITE (M3)
51	10123534	MANUAL RESET LIMIT - ROS (M4)	NS	0121F00415	BAFFLE, AIR FURN
51	10123538	MANUAL RESET LIMIT - ROS (M1)	NS	0121F00582	INSULATION, RETAINER (M1)
51	10123539	MANUAL RESET LIMIT - ROS (M3, M5, M6, M7)	NS	0121F00583	INSULATION, RETAINER (M2, M3)
61	0163F00007	MANIFOLD (M1)	NS	0121F00584	INSULATION, RETAINER (M4, M5, M6, M7)
61	0163F00008	MANIFOLD (M2)	NS	0121F00585	INSULATION, RETAINER (M8)
61	0163F00009	MANIFOLD (M4, M5)	NS	0121F00439	PRIMARY LIMIT-HEAT SHIELD
61	0163F00010	MANIFOLD (M6, M7)	NS	0121F00355	SHIELD, COIL (QTY 2)
61	0163F00011	MANIFOLD (M8)	Expanded Model Nomenclature <div style="border: 1px solid black; padding: 5px;"> M1 - DM92SE0403ANAA M2 - DM92SE0603BNAA M3 - DM92SE0803BNAA M4 - DM92SE0804CNAA M5 - DM92SE0805CNAA M6 - DM92SE1004CNAA M7 - DM92SE1005CNAA M8 - DM92SE1205DNAA </div>		
61	0163F00014	MANIFOLD (M3)			
71	0163F00017	BECKETT BURNER (QTY 2)			
81	0121F00456	BRACKET-BURNER 2 (M1)			
81	0121F00455	BRACKET-BURNER 3 (M2)			
81	0121F00454	BRACKET-BURNER 4 (M3, M4, M5)			
81	0121F00453	BRACKET-BURNER 5 (M6, M7)			
81	0121F00451	BRACKET-BURNER 6 (M8)			
111	0121F00469	ORIFICE BRACKET-BURNER 2 (M1)			
111	0121F00468	ORIFICE BRACKET-BURNER 3 (M2)			
111	0121F00467	ORIFICE BRACKET-BURNER 4 (M3, M4, M5)			
111	0121F00466	ORIFICE BRACKET-BURNER 5 (M6, M7)			
111	0121F00465	ORIFICE BRACKET-BURNER 6 (M8)			
131	0161F00016	COVER, FRONT (M3)			
131	0161F00018	COVER, FRONT (M4, M5)			
131	0161F00027	COVER, FRONT (M6, M7)			
131	0161F00028	COVER, FRONT (M8)			
131	0161F00031	COVER, FRONT (M2)			
131	0161F00076	COVER, FRONT (M1)			
141	0154F00026	GASKET FRONT COVER (M2, M3)			
141	0154F00030	GASKET FRONT COVER (M4, M5, M6, M7)			
141	0154F00034	GASKET FRONT COVER (M8)			
141	0154F00062	GASKET FRONT COVER (M1)			
151	0257F00414	HEAT EXCHANGER ASSY (M1)			
151	0257F00268	HEAT EXCHANGER ASSY. (M2)			
151	0257F00339	HEAT EXCHANGER ASSY. (M3)			
151	0257F00340	HEAT EXCHANGER ASSY. (M4, M5)			
151	0257F00346	HEAT EXCHANGER ASSY. (M6, M7)			
151	0257F00347	HEAT EXCHANGER ASSY. (M8)			
161	M0326804	TUBE PLUG			
171	0121F00539	SHEILD, BURNER (M1)			
171	0121F00540	SHEILD, BURNER (M2)			
171	0121F00541	SHEILD, BURNER (M3, M4, M5)			
171	0121F00542	SHEILD, BURNER (M6, M7)			
171	0121F00543	SHEILD, BURNER (M8)			
201	0154F00043	GASKET, ID BLOWER			
231	A1781105	CAP-VINYL .500			
261	0121F00317	COVER, REAR (M2, M3)			
261	0121F00318	COVER, REAR (M4, M5, M6, M7)			
261	0121F00319	COVER, REAR (M8)			
261	0121F00670	COVER, REAR (M1)			
271	0154F00058	GASKET REAR CVR (M1)			
271	0154F00037	GASKET, REAR CVR (M2, M3)			
271	0154F00038	GASKET, REAR CVR (M4, M5, M6, M7)			