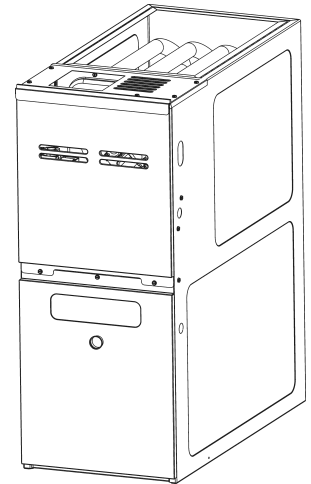


DM80VE 80% High Efficient Furnace

DM80VE0403ANAA
DM80VE0403ANAB
DM80VE0603BNAA
DM80VE0603BNAB
DM80VE0603BXAA
DM80VE0603BXAB
DM80VE0803BNAA
DM80VE0803BNAB
DM80VE0803BXAA
DM80VE0803BXAB
DM80VE0805CNAA
DM80VE0805CNAB
DM80VE0805CXAA
DM80VE0805CXAB
DM80VE0805DXAA
DM80VE0805DXAB
DM80VE1005CNAA
DM80VE1005CNAB
DM80VE1005CXAA
DM80VE1005CXAB
DM80VE1205DXAA
DM80VE1205DXAB



This manual is to be used by qualified technicians only.

This manual replaces RP-D2322

Important Information

Index

Functional Parts List	3
Illustration and Parts	4 - 9

Views shown are for parts illustrations only, not servicing procedures

Text Codes:

AR - As Required

NA - Not Available

NS - Not Shown

00000000 - See Note

QTY - Quantity Example (QTY 3) (If Quantity not shown, Quantity = 1)

M - Model Example (M1) (If M Code not shown, then part is used on all Models)

Expanded Model Nomenclature:

Example M1 - Model#1 M2 - Model#2 M3 - Model#3

Daikin Manufacturing Company, L.P. is not responsible for personal injury or property damage resulting from improper service. Review all service information before beginning repairs.

Warranty service must be performed by an authorized technician, using authorized factory parts. If service is required after the warranty expires, Daikin Manufacturing Company, L.P. also recommends contacting an authorized technician and using authorized factory parts.

Daikin Manufacturing Company, L.P. reserves the right to discontinue, or change at any time, specifications or designs without notice or without incurring obligations.

For assistance within the U.S.A. contact:

Homeowner Support
Daikin North America, LLC
19001 Kermier Road
Waller, Texas 77484
855-770-5678-Telephone
713-863-2382-Facsimile

For assistance outside the U.S.A. contact:

International Division
Daikin North America, LLC
19001 Kermier Road
Waller, Texas 77484
713-861-2500-Telephone
713-863-2382-Facsimile

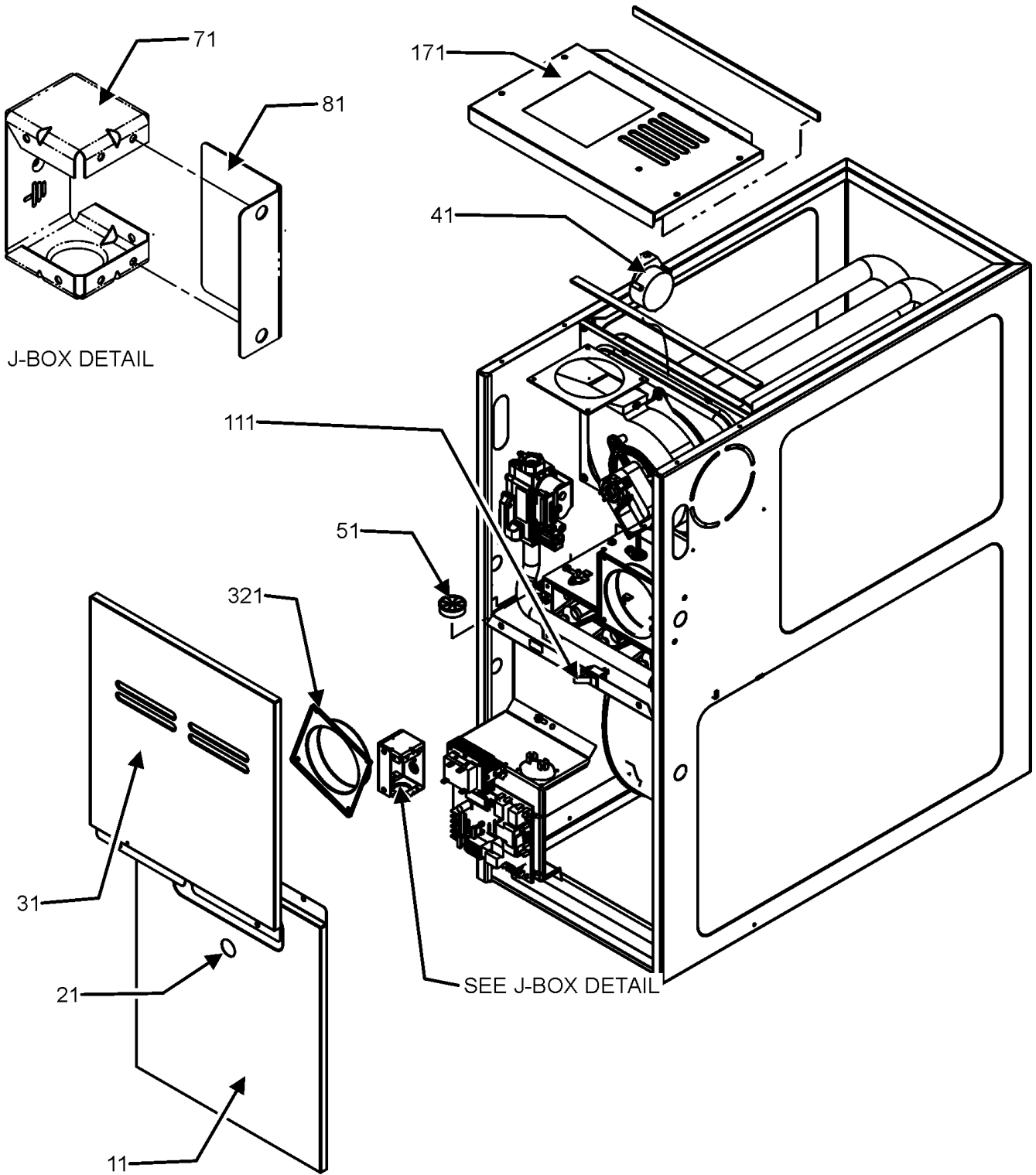
Functional Parts

Part

No: Description:

Part No:	Description:	Expanded Model Nomenclature
20162904	*PRIMARY LIMIT-TEMPERATURE CONTROL (M7, M8, M9, M10, M15, M16) *Refer to service bulletin SF-054	M1 - DM80VE0403ANAA M2 - DM80VE0403ANAB
0130F00792	AIR PRESSURE SWITCH (M7, M8, M9, M10, M11, M12, M13, M14)	M3 - DM80VE0603BNAA M4 - DM80VE0603BNAB
0130F00791	AIR PRESSURE SWITCH (M1, M2, M17, M18, M19, M20, M21, M22)	M5 - DM80VE0603BXAA M6 - DM80VE0603BXAB
0130F00795	AIR PRESSURE SWITCH (M3, M4, M5, M6, M15, M16)	M7 - DM80VE0803BNAA M8 - DM80VE0803BNAB
0130F00010	FLAME SENSOR	M9 - DM80VE0803BXAA M10 - DM80VE0803BXAB
0151M00027	GAS VALVE	M11 - DM80VE0805CNAA M12 - DM80VE0805CNAB
10690402	INTERLOCK SWITCH	M13 - DM80VE0805CXAA M14 - DM80VE0805CXAB
20162903	LIMIT (M3, M4, M5, M6, M21, M22)	M15 - DM80VE0805DXAA M16 - DM80VE0805DXAB
0130F00038	LIMIT, PRIMARY 120 LT BLUE	M17 - DM80VE1005CNAA M18 - DM80VE1005CNAB
0130M00063	LIMIT, PRIMARY, 140, GOLD (M11, M12, M13, M14)	M19 - DM80VE1005CXAA M20 - DM80VE1005CXAB
20162906	LIMIT-WHITE (M1, M2)	M21 - DM80VE1205DXAA M22 - DM80VE1205DXAB
20162905	LIMIT-YELLOW (M17, M18, M19, M20)	
10123529	MANUAL RESET R.O.S. LIMIT (QTY 2)	
0131M00781P	MOTOR, VENT 2-STAGE	
PCBBF139	PCB, IGNITION CONTROL	
0131F00151	PROGRAMMED MOTOR (M11, M12, M13, M14)	
0131F00163	PROGRAMMED MOTOR (M1, M2)	
0131F00152	PROGRAMMED MOTOR (M21, M22)	
0131F00154	PROGRAMMED MOTOR (M17, M18, M19, M20)	
0131F00159	PROGRAMMED MOTOR (M15, M16)	
0131F00162	PROGRAMMED MOTOR (M7, M8, M9, M10)	
0131F00160	PROGRAMMED MOTOR (M3, M4, M5, M6)	
0130F00008	SINI IGNITOR	
0130M00140	TRANSFORMER,(120V TO 24V,40VA,	

Wrapper Assembly



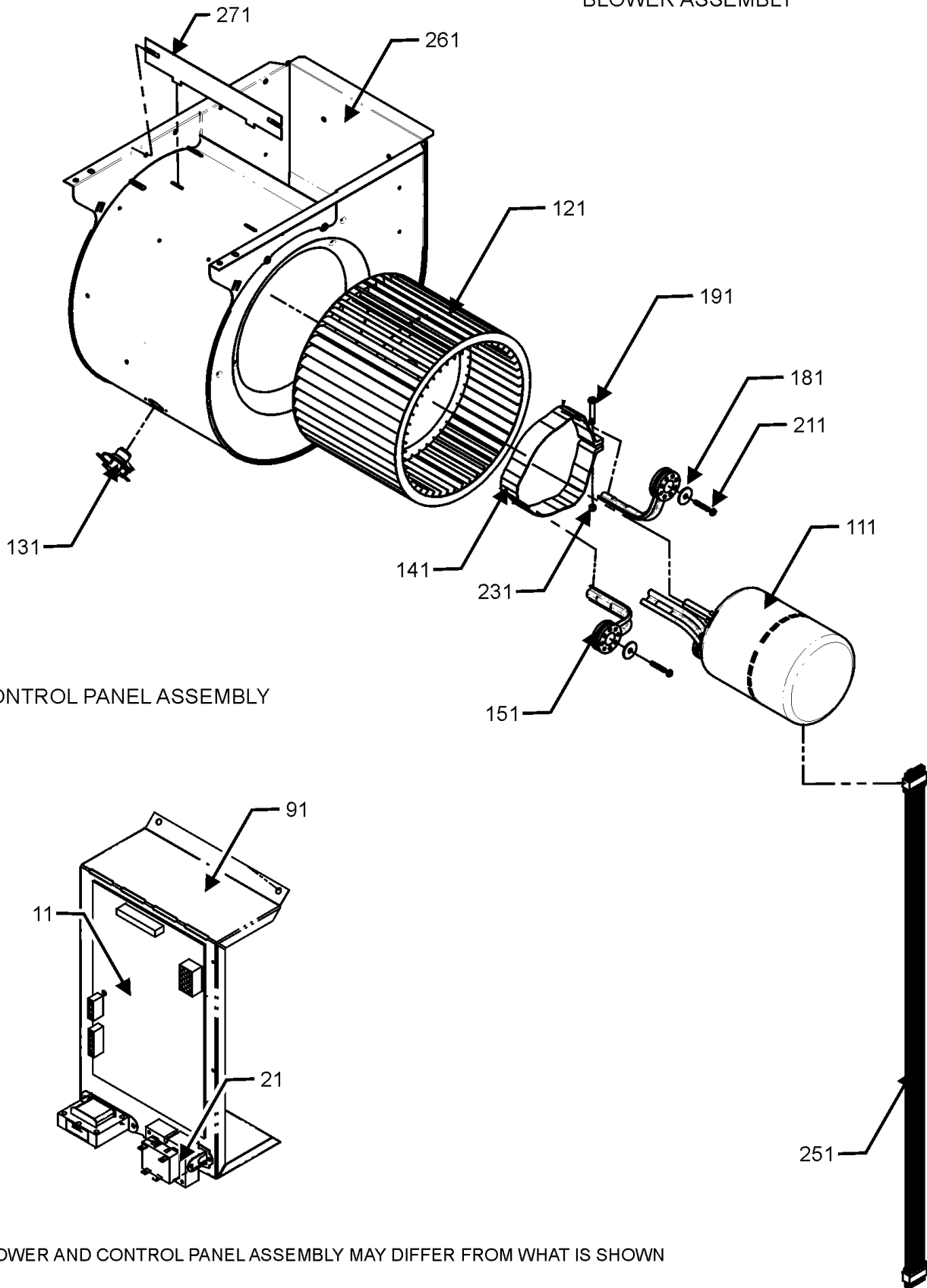
CABINET ASSEMBLY MAY DIFFER FROM WHAT IS SHOWN

Wrapper Assembly

Ref. Part No:	Ref. Part No:	Description:	Description:
Image 1:		Expanded Model Nomenclature	
11	0121F00122NG	DOOR BLOWER, 14" PAINTED (M1, M2)	M1 - DM80VE0403ANAA
11	0121F00123NG	DOOR BLOWER, 17.5" PAINTED (M3, M4, M5, M6, M7, M8, M9, M10)	M2 - DM80VE0403ANAB
11	0121F00124NG	DOOR BLOWER, 21" PAINTED (M11, M12, M13, M14, M17, M18, M19, M20)	M3 - DM80VE0603BNAA
11	0121F00125NG	DOOR BLOWER, 24.5" PAINTED (M15, M16, M21, M22)	M4 - DM80VE0603BNAB
21	B1392139	VIEW PORT BUSHING-BLOWER DOOR	M5 - DM80VE0603BXAA
31	0121F00118NG	DOOR CTRL ACCESS, 14" PAINTED (M1, M2)	M6 - DM80VE0603BXAB
31	0121F00119NG	DOOR CTRL ACCESS, 17.5" (M3, M4, M5, M6, M7, M8, M9, M10)	M7 - DM80VE0803BNAA
31	0121F00120NG	DOOR CTRL ACCESS, 21" PAINTED (M11, M12, M13, M14, M17, M18, M19, M20)	M8 - DM80VE0803BNAB
31	0121F00121NG	DOOR CTRL ACCESS, 24.5" PAINTED (M15, M16, M21, M22)	M9 - DM80VE0803BXAA
41	0130F00791	AIR PRESSURE SWITCH (M1, M2, M17, M18, M19, M20, M21, M22)	M10 - DM80VE0803BXAB
41	0130F00792	AIR PRESSURE SWITCH (M7, M8, M9, M10, M11, M12, M13, M14)	M11 - DM80VE0805CNAA
41	0130F00795	AIR PRESSURE SWITCH (M3, M4, M5, M6, M15,	M12 - DM80VE0805CNAB
51	B1392147	UNIVERSAL BUSHING WITH SLICE	M13 - DM80VE0805CXAA
71	4014502	J-BOX	M14 - DM80VE0805CXAB
81	4015502	COVER, J-BOX	M15 - DM80VE0805DXAA
111	10690402	INTERLOCK SWITCH	M16 - DM80VE0805DXAB
171	0121F00141DG	TOP, FURNACE 14"-PAINTED (M1, M2)	M17 - DM80VE1005CNAA
171	0121F00142DG	TOP, FURNACE 17.5"-PAINTED (M3, M4, M5, M6, M7, M8, M9, M10)	M18 - DM80VE1005CNAB
171	0121F00143DG	TOP, FURNACE 21"-PAINTED (M11, M12, M13, M14, M17, M18, M19, M20)	M19 - DM80VE1005CXAA
171	0121F00463DG	TOP, FURNACE 24.5" PAINTED (M15, M16, M21, M22)	M20 - DM80VE1005CXAB
321	4023500	CHIMNEY TRANSITION TOP	M21 - DM80VE1205DXAA
			M22 - DM80VE1205DXAB

Blower and Control Panel Assembly

BLOWER ASSEMBLY



CONTROL PANEL ASSEMBLY

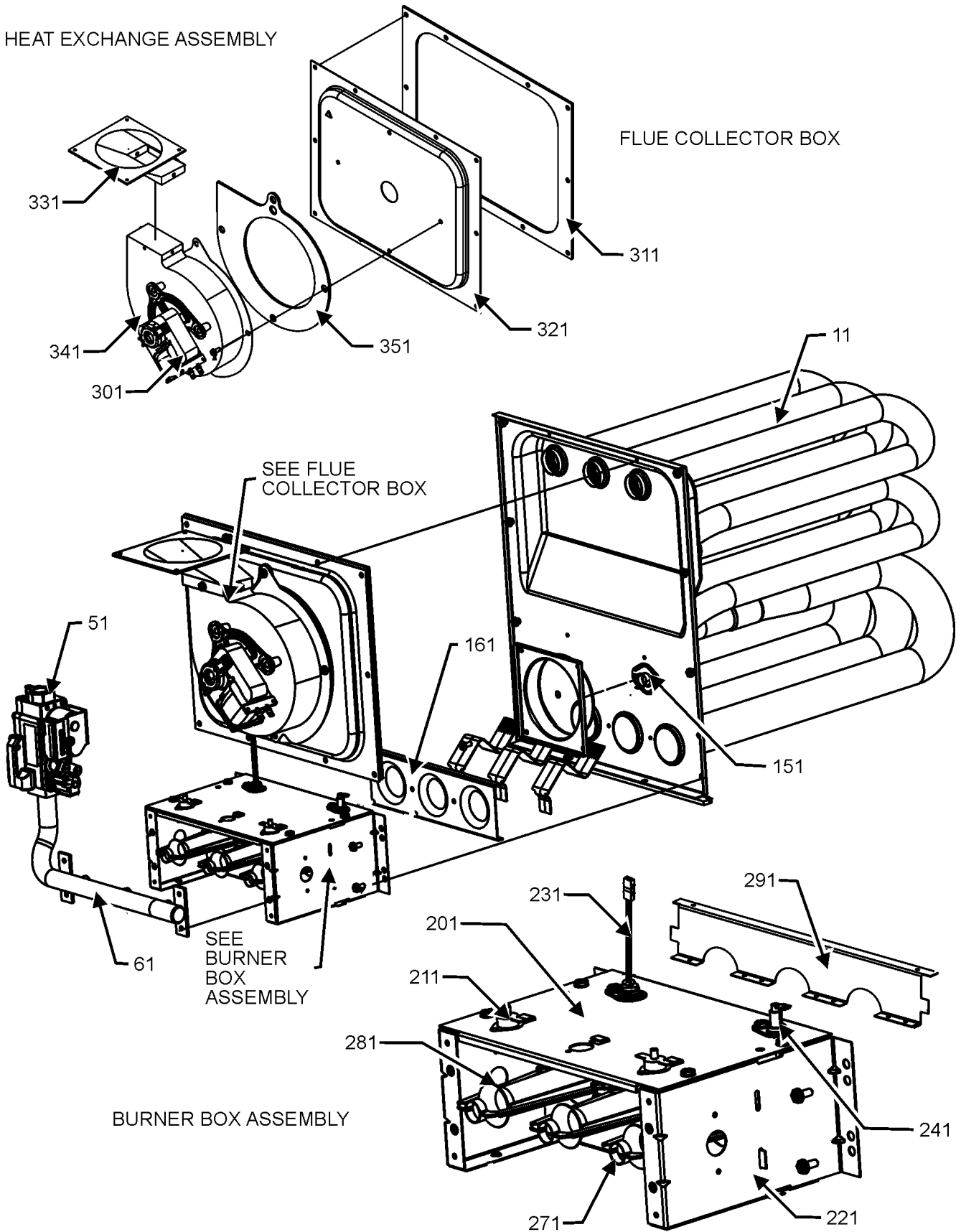
BLOWER AND CONTROL PANEL ASSEMBLY MAY DIFFER FROM WHAT IS SHOWN

Blower and Control Panel Assembly

Ref. Part No:	No:	Description:	Ref. Part No:	No:	Description:
Image 1:			Expanded Model Nomenclature		
11	PCBBF139	PCB, IGNITION CONTROL	M1	-	DM80VE0403ANAA
21	0130M00140	TRANSFORMER,(120V TO 24V,40VA,	M2	-	DM80VE0403ANAB
91	0121F00464	MOUNTING PLATE-CONTROLS	M3	-	DM80VE0603BNAA
111	0131F00151	PROGRAMMED MOTOR (M11, M12, M13, M14)	M4	-	DM80VE0603BNAB
111	0131F00152	PROGRAMMED MOTOR (M21, M22)	M5	-	DM80VE0603BXAA
111	0131F00154	PROGRAMMED MOTOR (M17, M18, M19, M20)	M6	-	DM80VE0603BXAB
111	0131F00159	PROGRAMMED MOTOR (M15, M16)	M7	-	DM80VE0803BNAA
111	0131F00160	PROGRAMMED MOTOR (M3, M4, M5, M6)	M8	-	DM80VE0803BNAB
111	0131F00162	PROGRAMMED MOTOR (M7, M8, M9, M10)	M9	-	DM80VE0803BXAA
111	0131F00163	PROGRAMMED MOTOR (M1, M2)	M10	-	DM80VE0803BXAB
121	0150M00042	WHEEL, BLOWER (10 X 10) (M11, M12, M13, M14, M17, M18, M19, M20)	M11	-	DM80VE0805CNAA
121	0150M00043	WHEEL, BLOWER (10 X 8) (M3, M4, M5, M6, M7, M8, M9, M10)	M12	-	DM80VE0805CNAB
121	0150M00061	WHEEL,BLOWER (M1, M2)	M13	-	DM80VE0805CXAA
121	0150M00062	WHEEL,BLOWER (M15, M16, M21, M22)	M14	-	DM80VE0805CXAB
131	0130F00038	LIMIT, PRIMARY 120 LT BLUE	M15	-	DM80VE0805DXAA
141	0121M00039	MOUNT BAND, MOTOR (HEAVY DUTY)	M16	-	DM80VE0805DXAB
151	B1376863	MOTOR MOUNT ARM (HEAVY DUTY) (QTY 3)	M17	-	DM80VE1005CNAA
181	B1392918	WASHER, FLAT 1/4 ID X 1 OD (QTY 3)	M18	-	DM80VE1005CNAB
191	0163M00320	HEX HEAD ALL THREAD TAP BOLT	M19	-	DM80VE1005CXAA
211	M0250565	SCREW-TC 1.25" (QTY 3)	M20	-	DM80VE1005CXAB
211	M0250565	SCREW-TC 1.25" (QTY 3)	M21	-	DM80VE1205DXAA
231	B1393800	LOCKNUT, NYLON INSERT 1/4 20	M22	-	DM80VE1205DXAB
251	0159F00076	WIRING HARNESS			
261	2539307	BLWR SHL ASM 10X10 10X10 (M11, M12, M13, M14, M15, M16, M17, M18, M19, M20, M21, M22)			
261	2539305	BLWR SHL ASM 10X6 10X6 (M1, M2)			
261	2539306	BLWR SHL ASM 10X8 10X8 (M3, M4, M5, M6, M7, M8, M9, M10)			
271	764741	BLWR BLK-OFF ,10X10 (M11, M12, M13, M14, M15, M16, M17, M18, M19, M20, M21, M22)			
271	764739	BLWR BLK-OFF ,10X6 (M1, M2)			
271	764740	BLWR BLK-OFF ,10X8 (M3, M4, M5, M6, M7, M8, M9, M10)			

Heat Exchange Assembly

HEAT EXCHANGE ASSEMBLY



Heat Exchange Assembly

Ref. Part No:	Description:	Ref. Part No:	Description:
Image 1:		Image 1:	
11	0270F00931 HEAT EXCHANGER ASSY (M1, M2)	321	0121F00336 21" FLUE COLLECTOR BOX 1.50" (M11, M12, M13, M14)
11	0270F00933 HEAT EXCHANGER ASSY (M3, M4, M5, M6)	321	0121F00330 24.5" COLLECTOR BOX 2.125" DIA (M21, M22)
11	0270F00934 HEAT EXCHANGER ASSY (M7, M8, M9, M10)	321	0121F00655 COLLECTOR BOX 17.5" 1.437 DIA (M7, M8, M9, M10)
11	0270F00935 HEAT EXCHANGER ASSY (M11, M12, M13, M14)	331	0128F00006 CHIMNEY TRANSITION BOTTOM
11	0270F00936 HEAT EXCHANGER ASSY (M17, M18, M19, M20)	341	0131M00781P MOTOR, VENT 2-STAGE
11	0270F00937 HEAT EXCHANGER ASSY (M21, M22)	351	0154F00003 GASKET-14 INCH (M1, M2)
11	0270F03017 HEAT EXCHANGER ASSY (M15, M16)	351	0154F00004 GASKET-17.5 INCH (M3, M4, M5, M6, M7, M8, M9, M10)
51	0151M00027 GAS VALVE	351	0154F00005 GASKET-21 INCH (M11, M12, M13, M14, M15, M16, M17, M18, M19, M20)
61	0120F00006 MANIFOLD (M1, M2)	351	0154F00006 GASKET-24.5 INCH (M21, M22)
61	0120F00007 MANIFOLD (M3, M4, M5, M6)	NS	0259F00283 DOWNFLOW MAIN WIRE HARNESS (M1, M3, M5, M7, M9, M11, M13, M15, M17, M19, M21)
61	0120F00008 MANIFOLD (M7, M8, M9, M10, M11, M12, M13, M14, M15, M16)	NS	0259F00062 INDUCER HARNESS ASSY
61	0120F00009 MANIFOLD (M17, M18, M19, M20)	NS	0259F00281 WIRE HARNESS ASSY
61	0120F00010 MANIFOLD (M21, M22)	NS	0259F00293 WIRE HARNESS ASSY (M2, M4, M6, M8, M10, M12, M14, M16, M18, M20, M22)
151	20162904 *PRIMARY LIMIT-TEMPERATURE CONTROL (M7, M8, M9, M10, M15, M16) *Refer to service bulletin SF-054		
151	20162903 LIMIT (M3, M4, M5, M6, M21, M22)		
151	0130M00063 LIMIT, PRIMARY, 140, GOLD (M11, M12, M13, M14)		
151	20162906 LIMIT-WHITE (M1, M2)		
151	20162905 LIMIT-YELLOW (M17, M18, M19, M20)		
161	4028000 ORIFICE PLATE, 2CELL (M1, M2)		
161	4028001 ORIFICE PLATE, 3CELL (M3, M4, M5, M6)		
161	4028002 ORIFICE PLATE, 4 CELL (M7, M8, M9, M10, M11, M12, M13, M14, M15, M16)		
161	4028003 ORIFICE PLATE, 5CELL (M17, M18, M19, M20)		
161	4028004 ORIFICE PLATE, 6CELL (M21, M22)		
201	0121F00162 TOP, BURNER BOX 2 CELL (M1, M2)		
201	0121F00163 TOP, BURNER BOX 3 CELL (M3, M4, M5, M6)		
201	0121F00164 TOP, BURNER BOX 4 CELL (M7, M8, M9, M10, M11, M12, M13, M14, M15, M16)		
201	0121F00165 TOP, BURNER BOX 5 CELL (M17, M18, M19, M20)		
201	0121F00166 TOP, BURNER BOX 6 CELL (M21, M22)		
211	10123529 MANUAL RESET R.O.S. LIMIT (QTY 2)		
221	0121F00146 SIDE PLATE BURNER BOX (QTY 2)		
231	0130F00008 SINI IGNITOR		
241	0130F00010 FLAME SENSOR		
271	10716005 ORIFICE (QTY 2)		
281	B4022700 INSHOT BURNER ASSY 3" (QTY 2)		
291	0121F00167 BURNER RACK, 2 CELL (M1, M2)		
291	0121F00168 BURNER RACK, 3 CELL (M3, M4, M5, M6)		
291	0121F00169 BURNER RACK, 4 CELL (M7, M8, M9, M10, M11, M12, M13, M14, M15, M16)		
291	0121F00170 BURNER RACK, 5 CELL (M17, M18, M19, M20)		
291	0121F00171 BURNER RACK, 6 CELL (M21, M22)		
301	DY6.186.070 VENT MOTOR CAPACITOR		
311	0154F00003 GASKET-14 INCH (M1, M2)		
311	0154F00004 GASKET-17.5 INCH (M3, M4, M5, M6, M7, M8, M9, M10)		
311	0154F00005 GASKET-21 INCH (M11, M12, M13, M14, M15, M16, M17, M18, M19, M20)		
311	0154F00006 GASKET-24.5 INCH (M21, M22)		
321	0121F00327 14" COLLECTOR BOX 1.125" DIA (M1, M2)		
321	0121F00328 17.5" COLLECTOR BOX 1.250" DIA (M3, M4, M5, M6)		
321	0121F00334 21" COLLECTOR BOX 1.625" DIA (M15, M16)		
321	0121F00333 21" COLLECTOR BOX 1.75" DIA (M17, M18, M19,		
		Expanded Model Nomenclature	
		M1 - DM80VE0403ANAA	
		M2 - DM80VE0403ANAB	
		M3 - DM80VE0603BNAA	
		M4 - DM80VE0603BNAB	
		M5 - DM80VE0603BXAA	
		M6 - DM80VE0603BXAB	
		M7 - DM80VE0803BNAA	
		M8 - DM80VE0803BNAB	
		M9 - DM80VE0803BXAA	
		M10 - DM80VE0803BXAB	
		M11 - DM80VE0805CNAA	
		M12 - DM80VE0805CNAB	
		M13 - DM80VE0805CXAA	
		M14 - DM80VE0805CXAB	
		M15 - DM80VE0805DXAA	
		M16 - DM80VE0805DXAB	
		M17 - DM80VE1005CNAA	
		M18 - DM80VE1005CNAB	
		M19 - DM80VE1005CXAA	
		M20 - DM80VE1005CXAB	
		M21 - DM80VE1205DXAA	
		M22 - DM80VE1205DXAB	