

DM80VC Two Stage Variable Speed Upflow Gas Furnace

DM80VC0603BNAC
DM80VC0603BNAD
DM80VC0603BXAC
DM80VC0603BXAD
DM80VC0604BNAC
DM80VC0604BNAD
DM80VC0604BXAC
DM80VC0604BXAD
DM80VC0803BNAC
DM80VC0803BNAD
DM80VC0803BXAC
DM80VC0803BXAD
DM80VC0804CNAC
DM80VC0804CNAD
DM80VC0804CXAC
DM80VC0804CXAD
DM80VC0805CNAC
DM80VC0805CNAD
DM80VC0805CXAC
DM80VC0805CXAD
DM80VC0805DNAC
DM80VC0805DNAD
DM80VC0805DXAC
DM80VC0805DXAD
DM80VC1005CNAC
DM80VC1005CNAD
DM80VC1005CXAC
DM80VC1005CXAD



This manual is to be used by qualified technicians only.

This manual replaces RP-D2325

Important Information

Index

Functional Parts List	3
Illustration and Parts	4 - 9

Views shown are for parts illustrations only, not servicing procedures.

Text Codes:

AR - As Required

NA - Not Available

NS - Not Shown

00000000 - See Note

QTY - Quantity Example (QTY 3) (If Quantity not shown, Quantity = 1)

M - Model Example (M1) (If M Code not shown, then part is used on all Models)

Expanded Model Nomenclature:

Example
M1 - Model#1
M2 - Model#2
M3 - Model#3

Daikin Manufacturing Company, L.P. is not responsible for personal injury or property damage resulting from improper service. Review all service information before beginning repairs.

Warranty service must be performed by an authorized technician, using authorized factory parts. If service is required after the warranty expires, Daikin Manufacturing Company, L.P. also recommends contacting an authorized technician and using authorized factory parts.

Daikin Manufacturing Company, L.P. reserves the right to discontinue, or change at any time, specifications or designs without notice or without incurring obligations.

For assistance within the U.S.A. contact:

Homeowner Support
Daikin North America, LLC
19001 Kermier Road
Waller, Texas 77484
855-770-5678-Telephone
713-863-2382-Facsimile

For assistance outside the U.S.A. contact:

International Division
Daikin North America, LLC
19001 Kermier Road
Waller, Texas 77484
713-861-2500-Telephone
713-863-2382-Facsimile

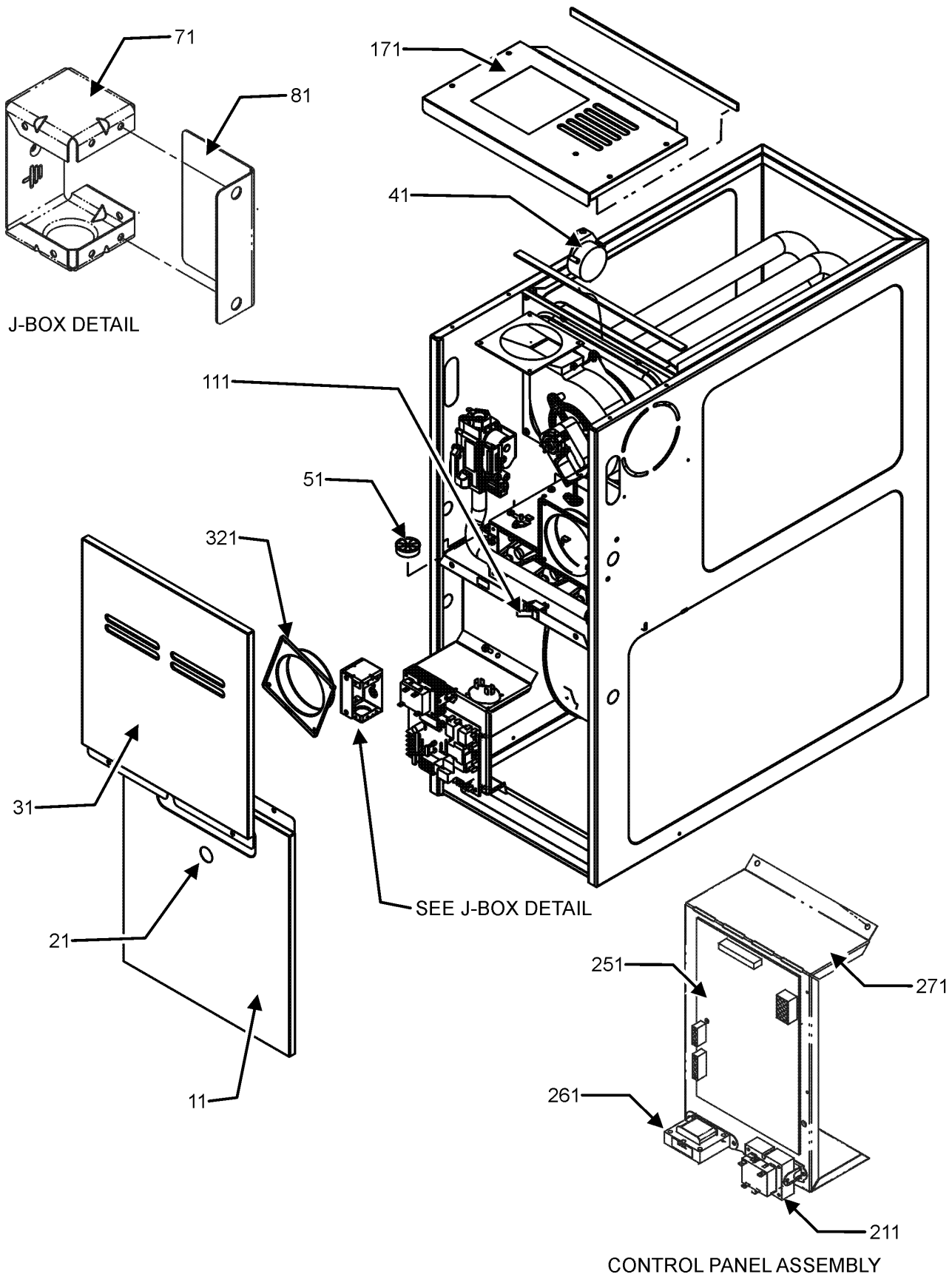
Functional Parts

Part

No: Description:

Part No:	Description:	Expanded Model Nomenclature
20162904	*PRIMARY LIMIT-TEMPERATURE CONTROL (M9, M10, M11, M12, M13, M14, M15, M16, M21, M22, M23, M24)	M1 - DM80VC0603BNAC
0130F00795	AIR PRESSURE SWITCH (M1, M2, M3, M4, M21, M22, M23, M24)	M2 - DM80VC0603BNAD
0130F00791	AIR PRESSURE SWITCH (M25, M26, M27, M28)	M3 - DM80VC0603BXAC
0130F00792	AIR PRESSURE SWITCH (M5, M6, M7, M8, M9, M10, M11, M12, M17, M18, M19, M20)	M4 - DM80VC0603BXAD
0130F00794	AIR PRESSURE SWITCH (M13, M14, M15, M16)	M5 - DM80VC0604BNAC
SHARED DATA	Available thru CoolCloud HVAC app.	M6 - DM80VC0604BNAD
0130F00010	FLAME SENSOR	M7 - DM80VC0604BXAC
0151M00027	GAS VALVE	M8 - DM80VC0604BXAD
0130M00141	INDUCTOR, 5.9 AMPS (M5, M6, M7, M8, M17, M18, M19, M20, M21, M22, M23, M24, M25, M26, M27, M28)	M9 - DM80VC0803BNAC
0130F00038	LIMIT, PRIMARY 120 LT BLUE	M10 - DM80VC0803BNAD
0130M00063	LIMIT, PRIMARY, 140, GOLD (M5, M6, M7, M8, M17, M18, M19, M20)	M11 - DM80VC0803BXAC
10123529	MANUAL RESET R.O.S. LIMIT (QTY 2)	M12 - DM80VC0803BXAD
0131M01002	MOTOR, 1/2 HP (M2, M4, M10, M12, M14, M16)	M13 - DM80VC0804CNAC
0131M00270	MOTOR, 1/2 HP, SERIAL ECM (M1, M3, M9, M11, M13, M15)	M14 - DM80VC0804CNAD
0131M01003	MOTOR, 3/4 HP (M6, M8, M18, M20, M22, M24, M26, M28)	M15 - DM80VC0804CXAC
0131M00271	MOTOR, 3/4 HP, SERIAL ECM (M5, M7, M17, M19, M21, M23, M25, M27)	M16 - DM80VC0804CXAD
0131M00781P	MOTOR, VENT 2-STAGE	M17 - DM80VC0805CNAC
PCBKF105	PCB CONTROL BOARD	M18 - DM80VC0805CNAD
20162903	PRIMARY LIMIT - BLUE (M1, M2, M3, M4)	M19 - DM80VC0805CXAC
20162905	PRIMARY LIMIT - YELLOW (M25, M26, M27, M28)	M20 - DM80VC0805CXAD
0130F00008	SINI IGNITOR	M21 - DM80VC0805DNAC
10690402	SWITCH-INTERLOCK	M22 - DM80VC0805DNAD
0130M00140	TRANSFORMER,(120V TO 24V,40VA,	M23 - DM80VC0805DXAC
		M24 - DM80VC0805DXAD
		M25 - DM80VC1005CNAC
		M26 - DM80VC1005CNAD
		M27 - DM80VC1005CXAC
		M28 - DM80VC1005CXAD

CABINET ASSEMBLY

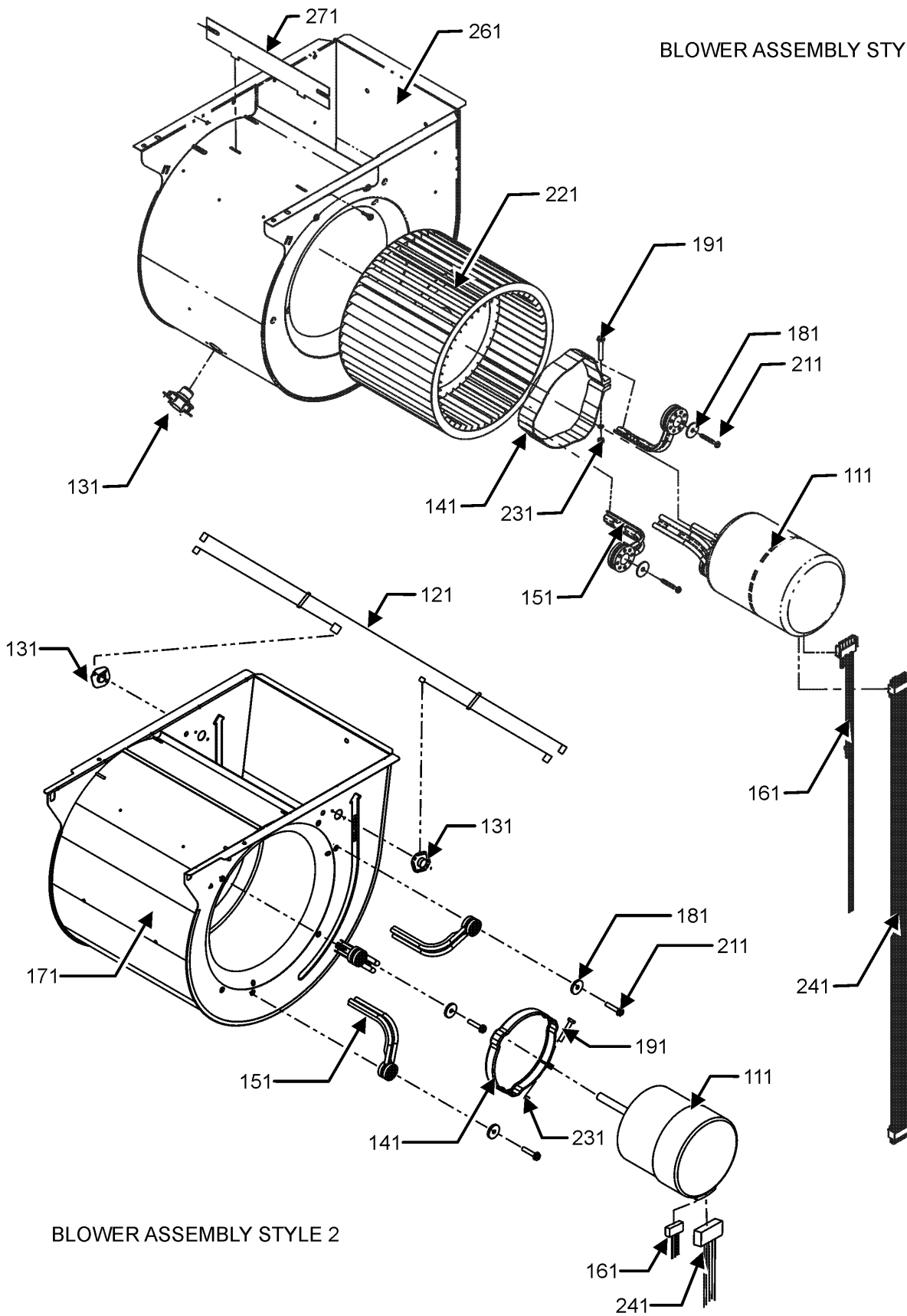


CABINET ASSEMBLY

Ref. Part No:	Ref. Part No:	Description:	Description:
Image 1:		Expanded Model Nomenclature	
11	0121F00123NG	DOOR BLOWER, 17.5" PAINTED (M1, M2, M3, M4, M5, M6, M7, M8, M9, M10, M11, M12)	M1 - DM80VC0603BNAC M2 - DM80VC0603BNAD M3 - DM80VC0603BXAC M4 - DM80VC0603BXAD M5 - DM80VC0604BNAC M6 - DM80VC0604BNAD M7 - DM80VC0604BXAC M8 - DM80VC0604BXAD M9 - DM80VC0803BNAC M10 - DM80VC0803BNAD M11 - DM80VC0803BXAC M12 - DM80VC0803BXAD M13 - DM80VC0804CNAC M14 - DM80VC0804CNAD M15 - DM80VC0804CXAC M16 - DM80VC0804CXAD M17 - DM80VC0805CNAC M18 - DM80VC0805CNAD M19 - DM80VC0805CXAC M20 - DM80VC0805CXAD M21 - DM80VC0805DNAC M22 - DM80VC0805DNAD M23 - DM80VC0805DXAC M24 - DM80VC0805DXAD M25 - DM80VC1005CNAC M26 - DM80VC1005CNAD M27 - DM80VC1005CXAC M28 - DM80VC1005CXAD
11	0121F00124NG	DOOR BLOWER, 21" PAINTED (M13, M14, M15, M16, M17, M18, M19, M20, M25, M26, M27, M28)	
11	0121F00125NG	DOOR BLOWER, 24.5" PAINTED (M21, M22, M23, M24)	
21	B1392139	VIEW PORT BUSHING-BLOWER DOOR	
31	0121F00119NG	DOOR CTRL ACCESS, 17.5" (M1, M2, M3, M4, M5, M6, M7, M8, M9, M10, M11, M12)	
31	0121F00120NG	DOOR CTRL ACCESS, 21" PAINTED (M13, M14, M15, M16, M17, M18, M19, M20, M25, M26, M27, M28)	
31	0121F00121NG	DOOR CTRL ACCESS, 24.5 PAINTED (M21, M22, M23, M24)	
41	0130F00791	AIR PRESSURE SWITCH (M25, M26, M27, M28)	
41	0130F00792	AIR PRESSURE SWITCH (M5, M6, M7, M8, M9, M10, M11, M12, M17, M18, M19, M20)	
41	0130F00794	AIR PRESSURE SWITCH (M13, M14, M15, M16)	
41	0130F00795	AIR PRESSURE SWITCH (M1, M2, M3, M4, M21, M22, M23, M24)	
51	B1392147	UNIVERSAL BUSHING WITH SLICE	
71	4014502	J-BOX	
81	4015502	COVER, J-BOX	
111	10690402	SWITCH-INTERLOCK	
171	0121F00142DG	TOP, FURNACE 17.5"-PAINTED (M1, M2, M3, M4, M5, M6, M7, M8, M9, M10, M11, M12)	
171	0121F00143DG	TOP, FURNACE 21"-PAINTED (M13, M14, M15, M16, M17, M18, M19, M20, M25, M26, M27, M28)	
171	0121F00463DG	TOP, FURNACE 24.5" PAINTED (M21, M22, M23, M24)	
211	0130M00140	TRANSFORMER,(120V TO 24V,40VA,	
251	PCBKF105	PCB CONTROL BOARD	
261	0130M00141	INDUCTOR, 5.9 AMPS (M5, M6, M7, M8, M17, M18, M19, M20, M21, M22, M23, M24, M25, M26, M27, M28)	
271	0121F00218	PANEL, CONTROL MOUNTING	
321	4023500	CHIMNEY TRANSITION TOP	

BLOWER ASSEMBLY

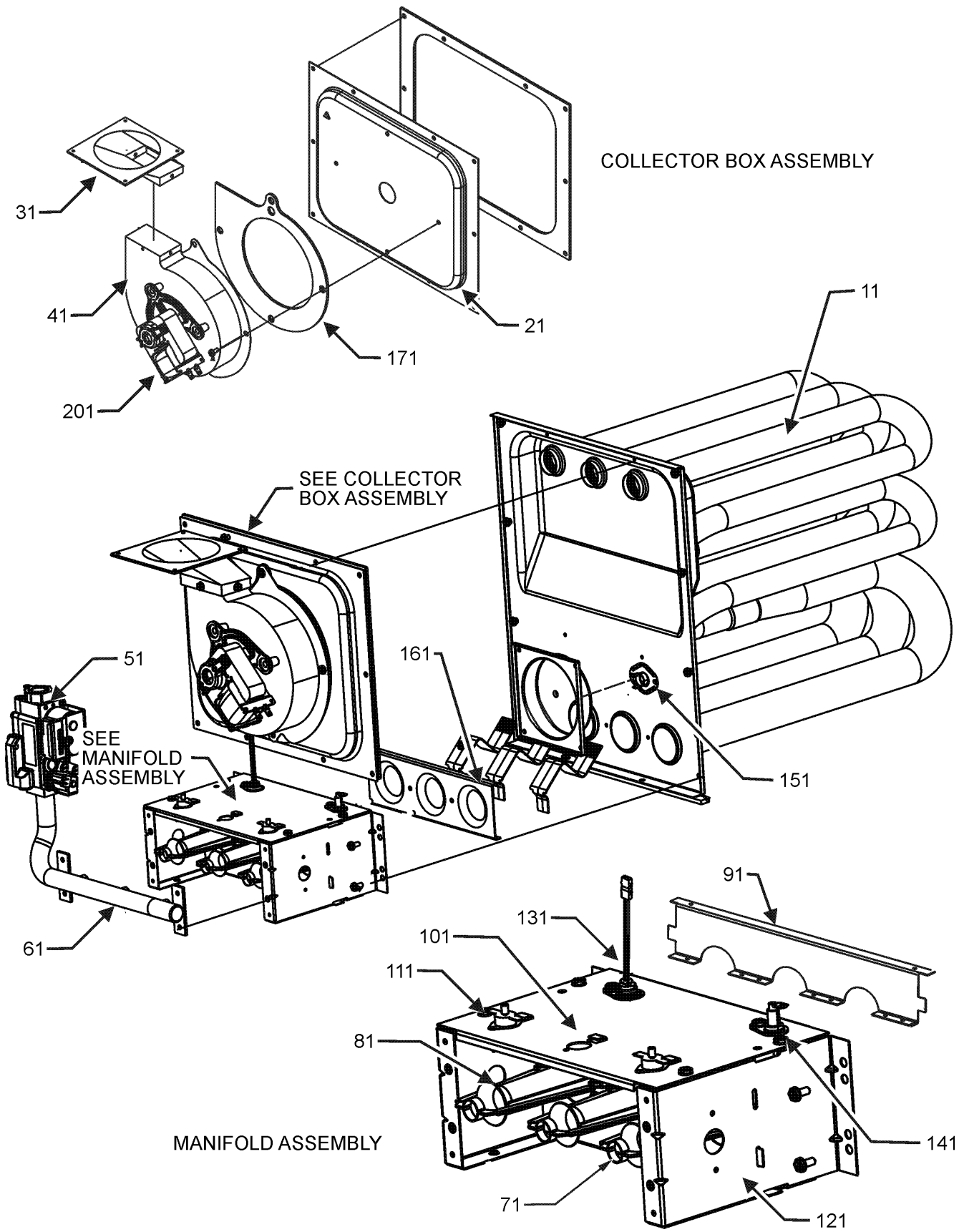
BLOWER ASSEMBLY STYLE 1



BLOWER ASSEMBLY

Ref. Part No:	No:	Description:	Ref. Part No:	No:	Description:
Image 1:			Expanded Model Nomenclature		
111	0131M01002	MOTOR, 1/2 HP (M2, M4, M10, M12, M14, M16)	M1	-	DM80VC0603BNAC
111	0131M00270	MOTOR, 1/2 HP, SERIAL ECM (M1, M3, M9, M11, M13, M15)	M2	-	DM80VC0603BNAD
111	0131M01003	MOTOR, 3/4 HP (M6, M8, M18, M20, M22, M24, M26, M28)	M3	-	DM80VC0603BXAC
111	0131M00271	MOTOR, 3/4 HP, SERIAL ECM (M5, M7, M17, M19, M21, M23, M25, M27)	M4	-	DM80VC0603BXAD
121	0259F00024	WIRE HARNESS-BLOWER (M13, M14, M15, M16, M21, M22, M23, M24)	M5	-	DM80VC0604BNAC
131	0130F00038	LIMIT, PRIMARY 120 LT BLUE	M6	-	DM80VC0604BNAD
141	0121M00038	MOTOR MOUNT BAND (M1, M2, M3, M4, M5, M6, M7, M8, M9, M10, M11, M12)	M7	-	DM80VC0604BXAC
141	0121M00039	MOTOR MOUNT BAND (HEAVY DUTY) (M13, M14, M15, M16, M17, M18, M19, M20, M21, M22, M23, M24, M25, M26, M27, M28)	M8	-	DM80VC0604BXAD
151	0163M00538	MOUNT ARM, MOTOR (M13, M14, M15, M16, M17, M18, M19, M20, M21, M22, M23, M24, M25, M26, M27, M28)	M9	-	DM80VC0803BNAC
151	B1376853	MOUNT ARM, MOTOR, A36-42 (M1, M2, M3, M4, M5, M6, M7, M8, M9, M10, M11, M12)	M10	-	DM80VC0803BNAD
161	0259F00049	HARNESS-POWER	M11	-	DM80VC0803BXAC
171	0271F00303	BLOWER SHELL & WHEEL (M13, M14, M15, M16, M21, M22, M23, M24)	M12	-	DM80VC0803BXAD
181	B1392918	WASHER, FLAT 1/4 ID X 1 OD (QTY 3)	M13	-	DM80VC0804CNAC
191	0163M00320	HEX HEAD ALL THREAD TAP BOLT	M14	-	DM80VC0804CNAD
211	M0250565	SCREW-TC 1.25" (QTY 3)	M15	-	DM80VC0804CXAC
221	B1368047	BLOWER WHEEL (10 X 10) (M17, M18, M19, M20, M25, M26, M27, M28)	M16	-	DM80VC0804CXAD
221	0150M00043	WHEEL, BLOWER (10X8) (M1, M2, M3, M4, M9, M10, M11, M12)	M17	-	DM80VC0805CNAC
221	B1368016	WHEEL, BLOWER, 10X8 (M5, M6, M7, M8)	M18	-	DM80VC0805CNAD
231	B1393800	LOCKNUT, NYLON INSERT 1/4 20	M19	-	DM80VC0805CXAC
241	0259M00008	WIRE HARNESS	M20	-	DM80VC0805CXAD
261	0271F00111	BLOWER SHELL ASSY (M1, M2, M3, M4, M5, M6, M7, M8, M9, M10, M11, M12)	M21	-	DM80VC0805DNAC
261	0271F00112	BLOWER SHELL ASSY (M17, M18, M19, M20, M25, M26, M27, M28)	M22	-	DM80VC0805DNAD
271	764741	BLWR BLK-OFF,10X10 (M17, M18, M19, M20, M25, M26, M27, M28)	M23	-	DM80VC0805DXAC
271	764740	BLWR BLK-OFF,10X8 (M1, M2, M3, M4, M5, M6, M7, M8, M9, M10, M11, M12)	M24	-	DM80VC0805DXAD
NS	SHARED DATA	Available thru CoolCloud HVAC app.	M25	-	DM80VC1005CNAC
			M26	-	DM80VC1005CNAD
			M27	-	DM80VC1005CXAC
			M28	-	DM80VC1005CXAD

HEAT EXCHANGE ASSEMBLY



HEAT EXCHANGE ASSEMBLY

Ref. Part No:	Ref. Part No:	Description:	Description:
Image 1:		Image 1:	
11	0270F00933	HEAT EXCHANGER ASSY (M1, M2, M3, M4, M5, M6, M7, M8)	161 4028001 ORIFICE PLATE, 3CELL (M1, M2, M3, M4, M5, M6, M7, M8)
11	0270F00934	HEAT EXCHANGER ASSY (M9, M10, M11, M12)	161 4028002 ORIFICE PLATE, 4CELL (M9, M10, M11, M12, M13, M14, M15, M16, M17, M18, M19, M20, M21, M22, M23, M24)
11	0270F00935	HEAT EXCHANGER ASSY (M13, M14, M15, M16, M17, M18, M19, M20)	161 4028003 ORIFICE PLATE, 5CELL (M25, M26, M27, M28)
11	0270F00936	HEAT EXCHANGER ASSY (M25, M26, M27, M28)	171 0154F00004 GASKET-17.5 INCH (M1, M2, M3, M4, M5, M6, M7, M8, M9, M10, M11, M12)
11	0270F03017	HEAT EXCHANGER ASSY (M21, M22, M23, M24)	171 0154F00005 GASKET-21 INCH (M13, M14, M15, M16, M17, M18, M19, M20, M21, M22, M23, M24, M25, M26, M27, M28)
21	0121F00328	17.5" COLLECTOR BOX 1.250" DIA (M1, M2, M3, M4)	201 DY6.186.070 VENT MOTOR CAPACITOR
21	0121F00332	17.5" COLLECTOR BOX 1.375" DIA (M5, M6, M7, M8)	NS 0259F00049 HARNESS, POWER
21	0121F00334	21" COLLECTOR BOX 1.625" DIA (M21, M22, M23, M24)	NS 0259F00062 INDUCER HARNESS ASSY
21	0121F00333	21" COLLECTOR BOX 1.75" DIA (M25, M26, M27, M28)	NS 0259M00008 WIRE HARNESS
21	0121F00336	21" FLUE COLLECTOR BOX 1.50" (M17, M18, M19, M20)	NS 0259F00288 WIRE HARNESS ASSY
21	0121F00655	COLLECTOR BOX 17.5" 1.437 DIA (M9, M10, M11, M12)	NS 0259F00290 WIRE HARNESS ASSY
21	0121F00659	COLLECTOR BOX 21" 1.40 DIA (M13, M14, M15, M16)	
31	0128F00006	CHIMNEY TRANSITION BOTTOM	
41	0131M00781P	MOTOR, VENT 2-STAGE	
51	0151M00027	GAS VALVE	
61	0120F00007	MANIFOLD (M1, M2, M3, M4, M5, M6, M7, M8)	
61	0120F00008	MANIFOLD (M9, M10, M11, M12, M13, M14, M15, M16, M17, M18, M19, M20, M21, M22, M23, M24)	
61	0120F00009	MANIFOLD (M25, M26, M27, M28)	
71	10716005	ORIFICE, #45 DRILL (QTY 3)	
81	B4022700	INSHOT BURNER ASSY 3" (QTY 3)	
91	0121F00168	BURNER RACK, 3 CELL (M1, M2, M3, M4, M5, M6, M7, M8)	
91	0121F00169	BURNER RACK, 4 CELL (M9, M10, M11, M12, M13, M14, M15, M16, M17, M18, M19, M20, M21, M22, M23, M24)	
91	0121F00170	BURNER RACK, 5 CELL (M25, M26, M27, M28)	
101	0121F00759	TOP, BURNER BOX 3 CELL (M1, M2, M3, M4, M5, M6, M7, M8)	
101	0121F00760	TOP, BURNER BOX 4 CELL (M9, M10, M11, M12, M13, M14, M15, M16, M17, M18, M19, M20, M21, M22, M23, M24)	
101	0121F00761	TOP, BURNER BOX 5 CELL (M25, M26, M27, M28)	
111	10123529	MANUAL RESET R.O.S. LIMIT (QTY 2)	
121	0121F00146	BURNER BOX SIDE (QTY 2)	
131	0130F00008	SINI IGNITOR	
141	0130F00010	FLAME SENSOR	
151	20162904	*PRIMARY LIMIT-TEMPERATURE CONTROL (M9, M10, M11, M12, M13, M14, M15, M16, M21, M22, M23, M24)	
151	0130M00063	LIMIT, PRIMARY, 140, GOLD (M5, M6, M7, M8, M17, M18, M19, M20)	
151	20162903	PRIMARY LIMIT - BLUE (M1, M2, M3, M4)	
151	20162905	PRIMARY LIMIT - YELLOW (M25, M26, M27, M28)	
Expanded Model Nomenclature			
M1 - DM80VC0603BNAC			
M2 - DM80VC0603BNAD			
M3 - DM80VC0603BXAC			
M4 - DM80VC0603BXAD			
M5 - DM80VC0604BNAC			
M6 - DM80VC0604BNAD			
M7 - DM80VC0604BXAC			
M8 - DM80VC0604BXAD			
M9 - DM80VC0803BNAC			
M10 - DM80VC0803BNAD			
M11 - DM80VC0803BXAC			
M12 - DM80VC0803BXAD			
M13 - DM80VC0804CNAC			
M14 - DM80VC0804CNAD			
M15 - DM80VC0804CXAC			
M16 - DM80VC0804CXAD			
M17 - DM80VC0805CNAC			
M18 - DM80VC0805CNAD			
M19 - DM80VC0805CXAC			
M20 - DM80VC0805CXAD			
M21 - DM80VC0805DNAC			
M22 - DM80VC0805DNAD			
M23 - DM80VC0805DXAC			
M24 - DM80VC0805DXAD			
M25 - DM80VC1005CNAC			
M26 - DM80VC1005CNAD			
M27 - DM80VC1005CXAC			
M28 - DM80VC1005CXAD			