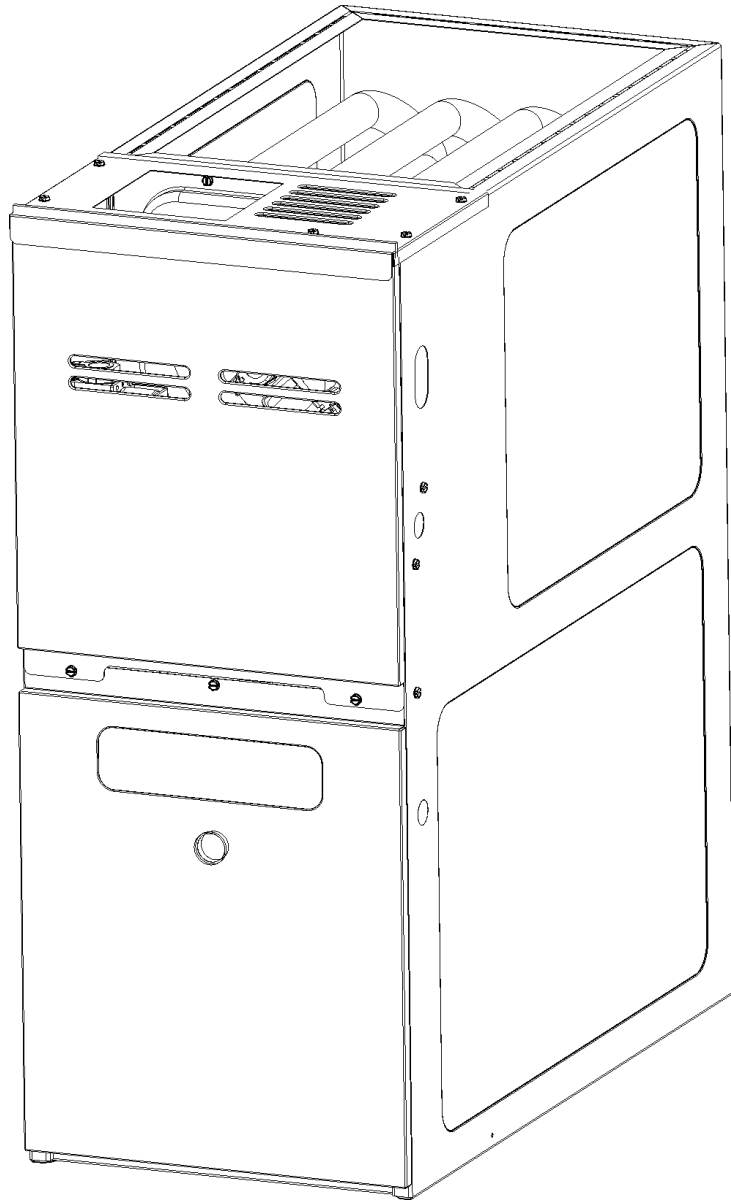


## DM80VC Variable Speed Furnace

DM80VC0604BNAA  
DM80VC0604BXAA  
DM80VC0805CNAA  
DM80VC0805CXAA  
DM80VC1005CNAA  
DM80VC1005CXAA



This manual is to be used by qualified technicians only.

This manual replaces RP-D2008A.

# Important Information

---

## Index

Functional Parts List .....	3
Illustration and Parts .....	4 - 9

*Views shown are for parts illustrations only, not servicing procedures*

### Text Codes:

AR - As Required

NA - Not Available

NS - Not Shown

00000000 - See Note

QTY - Quantity Example (QTY 3) (If Quantity not shown, Quantity = 1)

M - Model Example (M1) (If M Code not shown, then part is used on all Models)

### Expanded Model Nomenclature:

Example M1 - Model#1 M2 - Model#2 M3 - Model#3
---

Daikin Manufacturing Company, L.P. is not responsible for personal injury or property damage resulting from improper service. Review all service information before beginning repairs.

Warranty service must be performed by an authorized technician, using authorized factory parts. If service is required after the warranty expires, Daikin Manufacturing Company, L.P. also recommends contacting an authorized technician and using authorized factory parts.

Daikin Manufacturing Company, L.P. reserves the right to discontinue, or change at any time, specifications or designs without notice or without incurring obligations.

For assistance within the U.S.A. contact:

Consumer Affairs Department  
Daikin North America, LLC  
7401 Security Way  
Houston, Texas 77040  
855-770-5678-Telephone  
713-863-2382-Facsimile

For assistance outside the U.S.A. contact:

International Division  
Daikin North America, LLC  
7401 Security Way  
Houston, Texas 77040  
713-861-2500-Telephone  
713-863-2382-Facsimile

# Functional Parts

## Part

## No: Description:

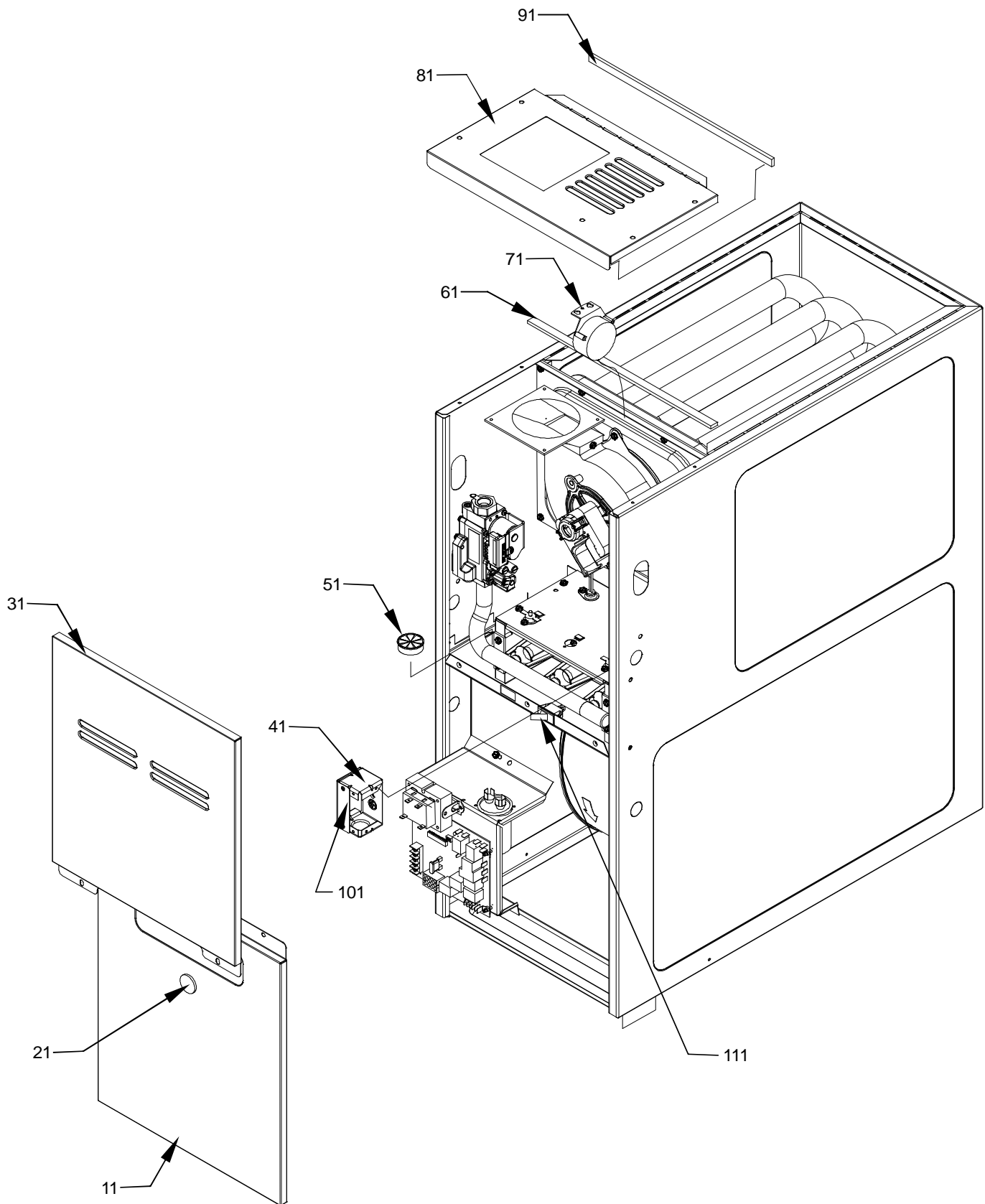
---

0130F00049	AIR PRESSURE SWITCH (M1, M2, M3, M4)
0130F00038	AUX LIMIT - LT BLUE 120°
0130F00350	DATA, FURNACE PCB MEMORY CHIP (M5)
0130F00349	DATA, FURNACE PCB MEMORY CHIP (M4)
0130F00348	DATA, FURNACE PCB MEMORY CHIP (M3)
0130F00347	DATA, FURNACE PCB MEMORY CHIP (M2)
0130F00346	DATA, FURNACE PCB MEMORY CHIP (M1)
0130F00351	DATA, FURNACE PCB MEMORY CHIP (M6)
0130F00008	IGNITOR-SINI 17 SEC
0130M00141	INDUCTOR, 5.9 AMPS (GMPE100-4)
10690402	INTERLOCK SWITCH
10123529	MANUAL RESET R.O.S. LIMIT (QTY 2)
0131M00271	MOTOR, 3/4 HP, SERIAL ECM
PCBKF104	PCB, CONTROL, FURNACE
B1370210	PRESSURE SWITCH, PINK (M5, M6)
0130M00063	PRIMARY LIMIT - GOLD 140° (M1, M2, M3, M4)
20162905	PRIMARY LIMIT-YELLOW (M5, M6)
0130M00140	TRANSFORMER 120V TO 24V, 40VA
0151M00028	VALVE,GAS(HW)VR92
DY6.186.070	VENT MOTOR CAPACITOR
0131M00003P	VENT MOTOR, 2-STAGE

### Expanded Model Nomenclature

M1 - DM80VC0604BNAA
M2 - DM80VC0604BXAA
M3 - DM80VC0805CNAA
M4 - DM80VC0805CXAA
M5 - DM80VC1005CNAA
M6 - DM80VC1005CXAA

# Cabinet



# Cabinet

Ref. Part No: No:	Description:	Ref. Part No: No:	Description:
-------------------	--------------	-------------------	--------------

---

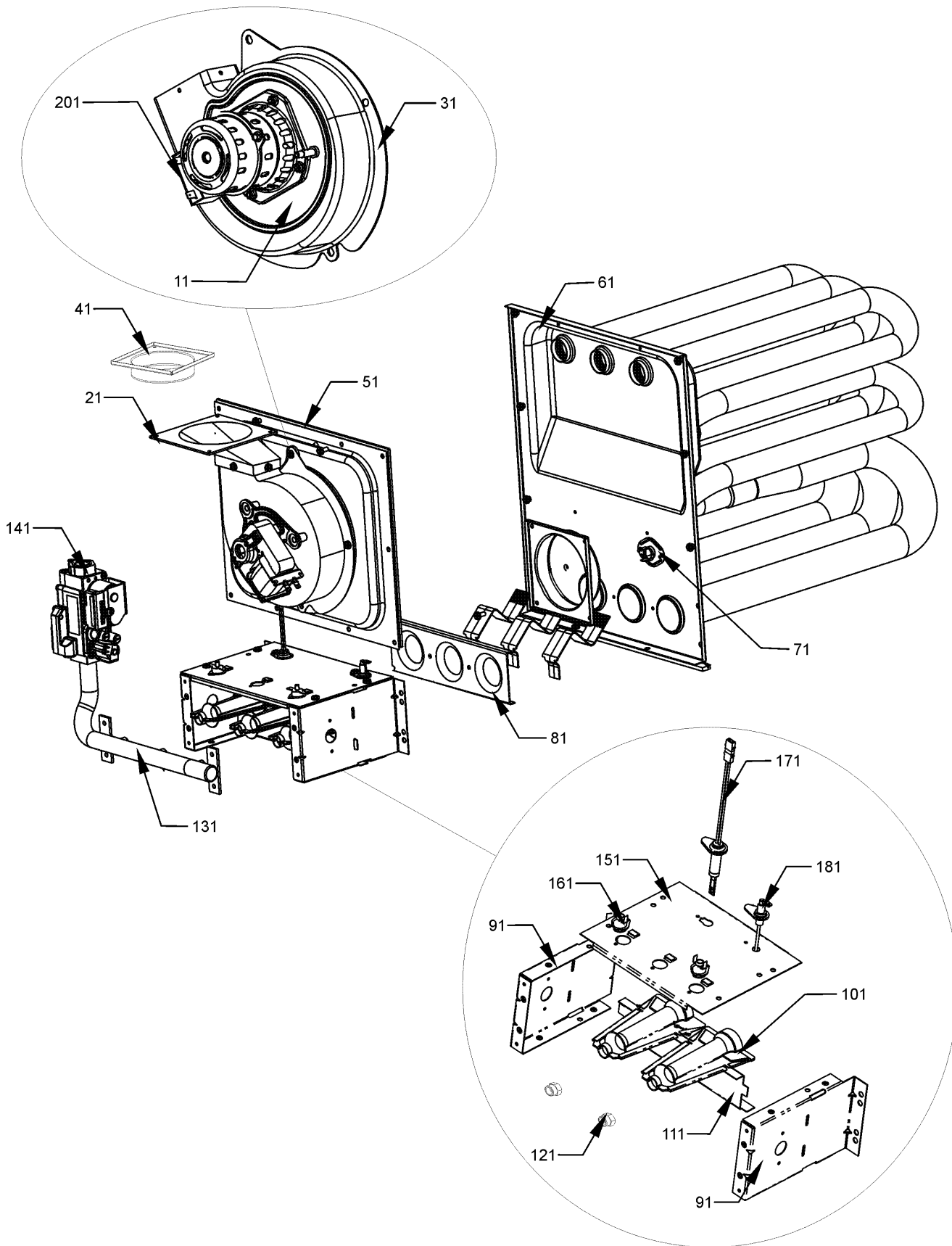
**Image 1:**

11	0121F00123NG	DOOR BLOWER, 17.5" PAINTED (M1, M2)
11	0121F00124NG	DOOR BLOWER, 21" PAINTED (M3, M4, M5, M6)
21	B1392139	VIEW PORT BUSHING-BLOWER DOOR
31	0121F00119NG	DOOR CTRL ACCESS, 17.5" (M1, M2)
31	0121F00120NG	DOOR CTRL ACCESS, 21" PAINTED (M3, M4, M5, M6)
41	4014502	J-BOX
51	B1392147	UNIVERSAL BUSHING WITH SLICE
61	B13926112	SEAL STRIP, 1/8 X 1/2 X 17.5 (M1, M2)
61	B13926113	SEAL STRIP, 1/8 X 1/2 X 21 (M3, M4, M5, M6)
71	0130F00049	AIR PRESSURE SWITCH (M1, M2, M3, M4)
71	B1370210	PRESSURE SWITCH, PINK (M5, M6)
81	0121F00142DG	TOP 17.5" (M1, M2)
81	0121F00143DG	TOP 21" (M3, M4, M5, M6)
91	B13926111	SEAL STRIP, 1/8 X 1/2 X 14
101	4015502	J-BOX COVER
111	10690402	INTERLOCK SWITCH
NS	0259F00062	INDUCER HARNESS ASSY
NS	0259F00063	WIRE HARNESS ASSY
NS	0259F00081	WIRE HARNESS ASSY

**Expanded Model Nomenclature**

M1 - DM80VC0604BNAA
M2 - DM80VC0604BXAA
M3 - DM80VC0805CNAA
M4 - DM80VC0805CXAA
M5 - DM80VC1005CNAA
M6 - DM80VC1005CXAA

# Heat Exchanger Assembly



# Heat Exchanger Assembly

Ref. Part No:	No:	Description:	Ref. Part No:	No:	Description:
<i>Image 1:</i>					
11	0131M00003P	VENT MOTOR, 2-STAGE			
21	0128F00006	CHIMNEY TRANSITION BOTTOM			
31	0154F00004	VENT MOTOR GASKET 17.5" (M1, M2)			
31	0154F00005	VENT MOTOR GASKET 21" (M3, M4, M5, M6)			
41	4023500	CHIMNEY TRANSITION TOP			
51	0121F00332	17.5" COLLECTOR BOX 1.375" DIA (M1, M2)			
51	0121F00333	21" COLLECTOR BOX 1.75" DIA (M5, M6)			
51	0121F00336	21" FLUE COLLECTOR BOX 1.50" (M3, M4)			
61	0270F00933	HEAT EXCHANGER ASSY (M1, M2)			
61	0270F00935	HEAT EXCHANGER ASSY (M3, M4)			
61	0270F00936	HEAT EXCHANGER ASSY (M5, M6)			
71	0130M00063	PRIMARY LIMIT - GOLD 140° (M1, M2, M3, M4)			
71	20162905	PRIMARY LIMIT-YELLOW (M5, M6)			
81	4028001	ORIFICE SHIELD 3 CELL (M1, M2)			
81	4028002	ORIFICE SHIELD 4 CELL (M3, M4)			
81	4028003	ORIFICE SHIELD 5 CELL (M5, M6)			
91	0121F00146	BURNER BOX SIDE (QTY 2)			
101	B4022700	INSHOT BURNER ASSY 3" (QTY 3)			
111	0121F00168	BURNER BRACKET 3B (M1, M2)			
111	0121F00169	BURNER BRACKET 4B (M3, M4)			
111	0121F00170	BURNER BRACKET 5B (M5, M6)			
121	10716005	ORIFICE (QTY 3)			
131	0120F00007	MANIFOLD (M1, M2)			
131	0120F00008	MANIFOLD (M3, M4)			
131	0120F00009	MANIFOLD (M5, M6)			
141	0151M00028	VALVE,GAS(HW)VR92			
151	0121F00163	BURNER BOX TOP 3 CELL (M1, M2)			
151	0121F00164	BURNER BOX TOP 4 CELL (M3, M4)			
151	0121F00165	BURNER BOX TOP 5 CELL (M5, M6)			
161	10123529	MANUAL RESET R.O.S. LIMIT (QTY 2)			
171	0130F00008	IGNITOR-SINI 17 SEC			
181	0130F00010	FLAME SENSOR			
201	DY6.186.070	VENT MOTOR CAPACITOR			

## Expanded Model Nomenclature

- |                     |
|---------------------|
| M1 - DM80VC0604BNAA |
| M2 - DM80VC0604BXAA |
| M3 - DM80VC0805CNAA |
| M4 - DM80VC0805CXAA |
| M5 - DM80VC1005CNAA |
| M6 - DM80VC1005CXAA |

# Blower and Control Panel

Image 1

\*If end bells are needed please order the following:

0131M00182 - 1/2 HP

0131M00183 - 3/4 HP

0131M00184 - 1 HP

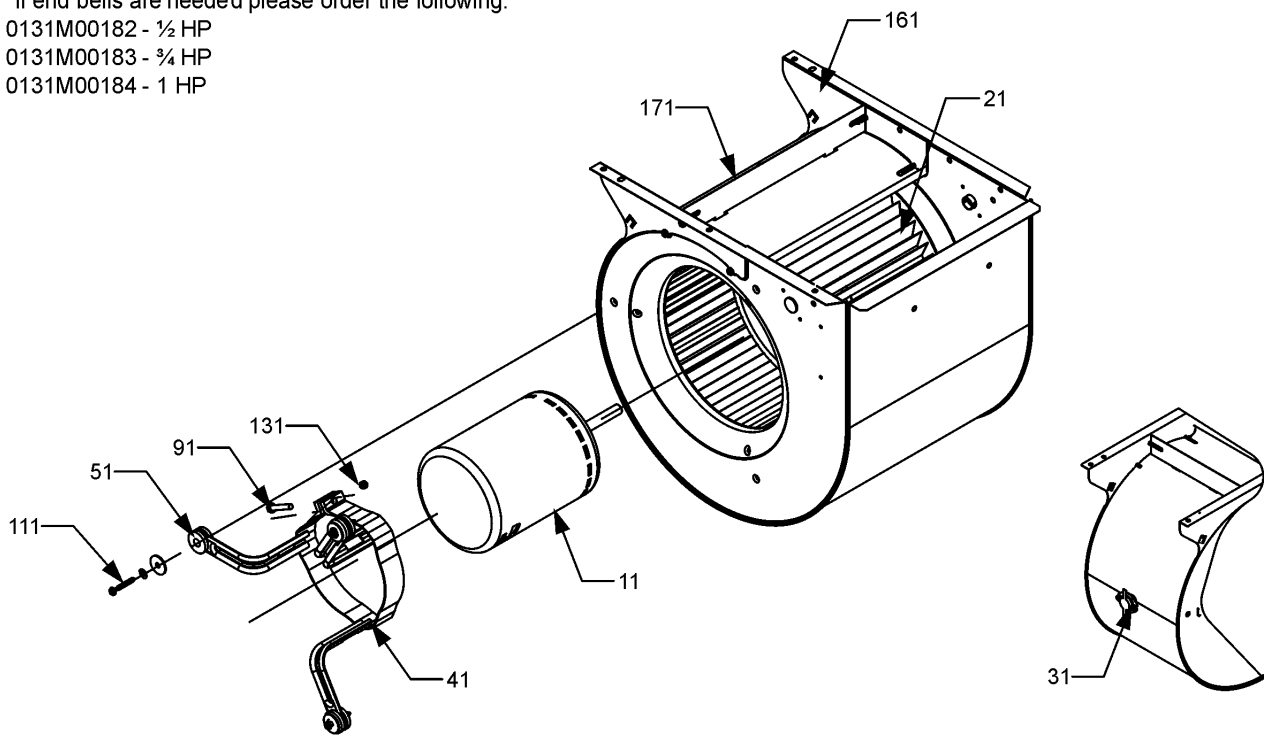


Image 2



# Blower and Control Panel

Ref. Part No:	Part No:	Description:	Ref. Part No:	Part No:	Description:
---------------	----------	--------------	---------------	----------	--------------

**Image 1:**

11	0131M00271	MOTOR, 3/4 HP, SERIAL ECM
21	B1368047	BLOWER WHEEL 10 X 10 (M3, M4, M5, M6)
21	B1368016	BLOWER WHEEL 10 X 8 (M1, M2)
31	0130F00038	AUX LIMIT - LT BLUE 120°
41	0121M00038	MOTOR MOUNT BAND (M1, M2)
41	0121M00039	MOTOR MOUNT BAND (HEAVY DUTY) (M3, M4, M5, M6)
51	B1376853	MOTOR MOUNT ARM (M1, M2)
51	B1376863	MOTOR MOUNT ARM (HEAVY DUTY) (M3, M4, M5, M6)
91	B1393323	MACHINE SCREW HWH 1/4-20 X 1-1/2 BZ
111	M0250565	TC SCREW 1.25" (QTY 3)
131	B1393800	LOCKNUT, NYLON, INSERT 1/4, 20
161	0271F00111	BLOWER SHELL ASSY (M1, M2)
161	0271F00112	BLOWER SHELL ASSY (M3, M4, M5, M6)
171	764741	BLOWER BLOCK-OFF 10 X 10 (M3, M4, M5, M6)
171	764740	BLOWER BLOCK-OFF 10 X 8 (M1, M2)
NS	0259F00048	HARNESS, CONTROL
NS	0259F00049	HARNESS, POWER

**Image 2:**

12	PCBKF104	PCB, CONTROL, FURNACE
22	0130M00140	TRANSFORMER 120V TO 24V, 40VA
62	0130M00141	INDUCTOR, 5.9 AMPS (GMPE100-4)
72	0121F00218	PANEL, CONTROL MOUNTING
NS	0130F00346	DATA, FURNACE PCB MEMORY CHIP (M1)
NS	0130F00347	DATA, FURNACE PCB MEMORY CHIP (M2)
NS	0130F00348	DATA, FURNACE PCB MEMORY CHIP (M3)
NS	0130F00349	DATA, FURNACE PCB MEMORY CHIP (M4)
NS	0130F00350	DATA, FURNACE PCB MEMORY CHIP (M5)
NS	0130F00351	DATA, FURNACE PCB MEMORY CHIP (M6)

**Expanded Model Nomenclature**

M1 - DM80VC0604BNAA
M2 - DM80VC0604BXAA
M3 - DM80VC0805CNAA
M4 - DM80VC0805CXAA
M5 - DM80VC1005CNAA
M6 - DM80VC1005CXAA

\*If end bells are needed please order the following:

0131M00182 - 1/2 HP  
 0131M00183 - 3/4 HP  
 0131M00184 - 1 HP