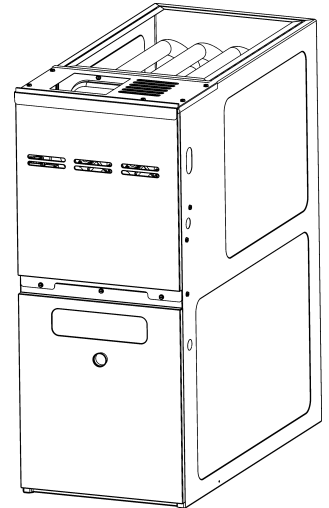


## DM80TN 80% Two Stage 9 Speed ECM Motor Furnace

DM80TN0403ANAA  
DM80TN0603BNAA  
DM80TN0603BXAA  
DM80TN0803BNAA  
DM80TN0803BXAA  
DM80TN0805CNAA  
DM80TN0805CXAA  
DM80TN0805DXAA  
DM80TN1005CNAA  
DM80TN1005CXAA  
DM80TN1205DXAA



This manual is to be used by qualified technicians only.

# Important Information

---

## Index

Functional Parts List .....	3
Illustration and Parts .....	4 - 9

*Views shown are for parts illustrations only, not servicing procedures.*

### Text Codes:

AR - As Required

NA - Not Available

NS - Not Shown

00000000 - See Note

QTY - Quantity Example (QTY 3) (If Quantity not shown, Quantity = 1)

M - Model Example (M1) (If M Code not shown, then part is used on all Models)

### Expanded Model Nomenclature:

Example
M1 - Model#1
M2 - Model#2
M3 - Model#3

Daikin Manufacturing Company, L.P. is not responsible for personal injury or property damage resulting from improper service. Review all service information before beginning repairs.

Warranty service must be performed by an authorized technician, using authorized factory parts. If service is required after the warranty expires, Daikin Manufacturing Company, L.P. also recommends contacting an authorized technician and using authorized factory parts.

Daikin Manufacturing Company, L.P. reserves the right to discontinue, or change at any time, specifications or designs without notice or without incurring obligations.

For assistance within the U.S.A. contact:

Homeowner Support  
Daikin North America, LLC  
19001 Kermier Road  
Waller, Texas 77484  
855-770-5678-Telephone  
713-863-2382-Facsimile

For assistance outside the U.S.A. contact:

International Division  
Daikin North America, LLC  
19001 Kermier Road  
Waller, Texas 77484  
713-861-2500-Telephone  
713-863-2382-Facsimile

# Functional Parts

## Part

**No:**            **Description:**

---

20162904	*PRIMARY LIMIT-TEMPERATURE CONTROL (M4, M5, M8)
0130F00792	AIR PRESSURE SWITCH (M4, M5, M6, M7, M11)
0130F00791	AIR PRESSURE SWITCH (M9, M10)
0130F00795	AIR PRESSURE SWITCH (M1, M2, M3, M8)
PCBBF164	CIRCUIT BOARD, FURNACE
0130F00010	FLAME SENSOR
0151M00027	GAS VALVE
10690402	INTERLOCK SWITCH
20162905	LIMIT, PRIMARY (M9, M10)
20162906	LIMIT, PRIMARY (M1)
20162903	LIMIT, PRIMARY (M2, M3, M11)
0130F00038	LIMIT, PRIMARY 120 LT BLUE
0130M00063	LIMIT, PRIMARY, 140, GOLD (M6, M7)
10123529	MANUAL RESET R.O.S. LIMIT (QTY 2)
0131F00196	MOTOR PROGRAMMED (M4, M5)
0131F00194	MOTOR PROGRAMMED (M1)
0131F00195	MOTOR PROGRAMMED (M2, M3)
0131F00199	MOTOR PROGRAMMED (M6, M7)
0131F00200	MOTOR PROGRAMMED (M8)
0131F00201	MOTOR PROGRAMMED (M9, M10)
0131F00202	MOTOR PROGRAMMED (M11)
0131M00781P	MOTOR, VENT 2-STAGE
0130F00008	SINI IGNITOR
0130M00140	TRANSFORMER,(120V TO 24V,40VA,

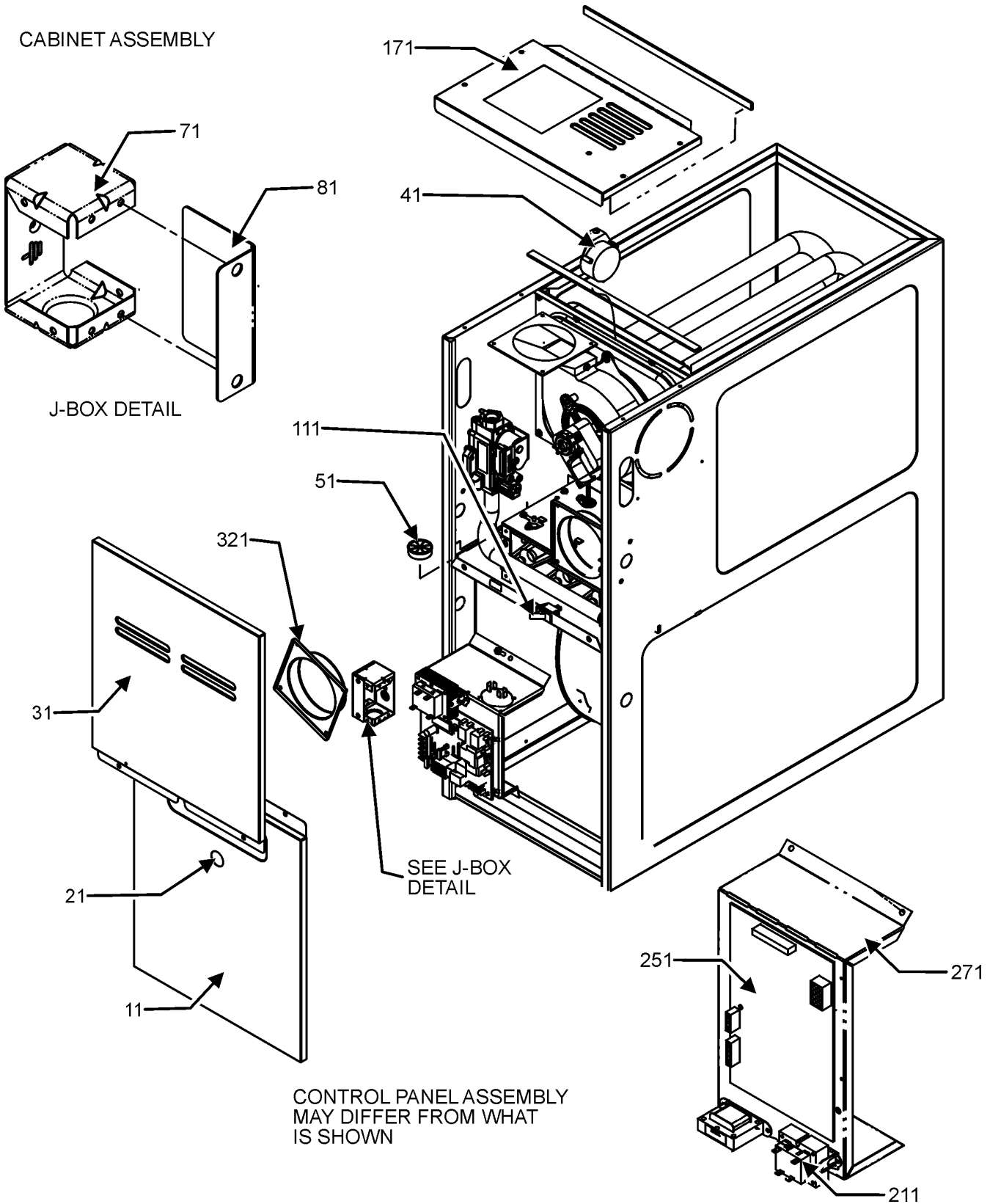
## SPECIAL PARTS

HID-2005	HOMEOWNERS INSTRUCTIONS
IOD-2026	INSTALLATION INSTRUCTIONS
PWDFURNSNT	WARRANTY, PRODUCT

## Expanded Model Nomenclature

M1 - DM80TN0403ANAA
M2 - DM80TN0603BNAA
M3 - DM80TN0603BXAA
M4 - DM80TN0803BNAA
M5 - DM80TN0803BXAA
M6 - DM80TN0805CNAA
M7 - DM80TN0805CXAA
M8 - DM80TN0805DXAA
M9 - DM80TN1005CNAA
M10 - DM80TN1005CXAA
M11 - DM80TN1205DXAA

# Cabinet and Control Panel Assembly



CABINET ASSEMBLY MAY DIFFER FROM WHAT IS SHOWN

CONTROL PANEL ASSEMBLY

# Cabinet and Control Panel Assembly

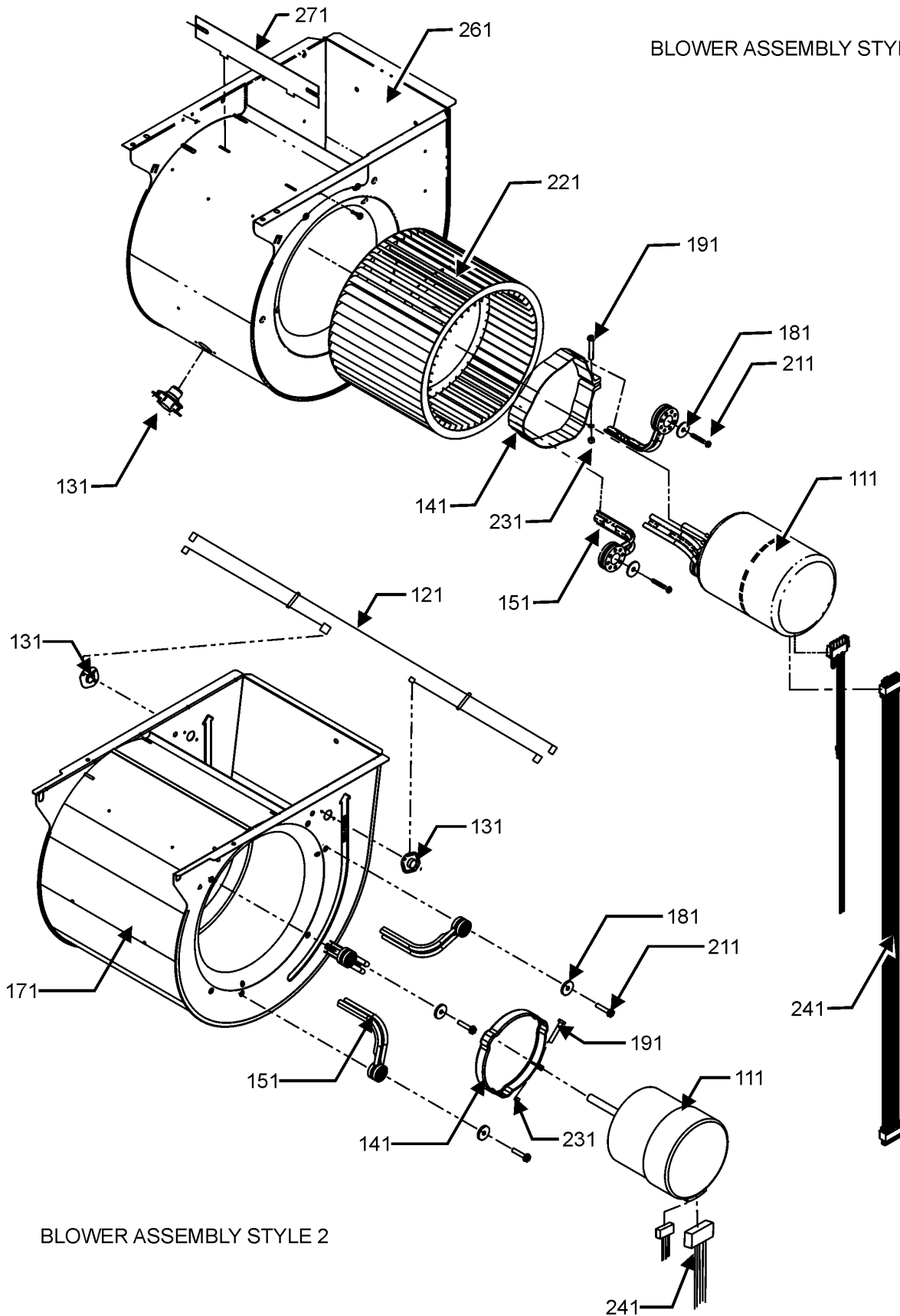
Ref. Part No:	Ref. Part No:	Description:	Description:
<b>Image 1:</b>			
11	0121F00122NG	DOOR, BLOWER, 14"-PAINTED (M1)	
11	0121F00123NG	DOOR, BLOWER, 17.5" PAINTED (M2, M3, M4, M5)	
11	0121F00124NG	DOOR, BLOWER, 21"-PAINTED (M6, M7, M9, M10)	
11	0121F00125NG	DOOR, BLOWER, 24.5"-PAINTED (M8, M11)	
21	B1392139	VIEW PORT BUSHING-BLOWER DOOR	
31	0121F00118NG	DOOR CTRL ACCESS, 14"-PAINTED (M1)	
31	0121F00120NG	DOOR CTRL ACCESS, 21"-PAINTED (M6, M7, M9, M10)	
31	0121F00121NG	DOOR CTRL ACCESS, 24.5"PAINTED (M8, M11)	
31	0121F00119NG	DOOR CTRL ACCESS,17.5"-PAINTED (M2, M3, M4, M5)	
41	0130F00791	AIR PRESSURE SWITCH (M9, M10)	
41	0130F00792	AIR PRESSURE SWITCH (M4, M5, M6, M7, M11)	
41	0130F00795	AIR PRESSURE SWITCH (M1, M2, M3, M8)	
51	B1392147	UNIVERSAL BUSHING WITH SLICE	
71	4014502	J-BOX	
81	4015502	COVER, J-BOX	
111	10690402	INTERLOCK SWITCH	
171	0121F00141DG	TOP, FURNACE 14"-PAINTED (M1)	
171	0121F00142DG	TOP, FURNACE 17.5"-PAINTED (M2, M3, M4, M5)	
171	0121F00143DG	TOP, FURNACE 21"-PAINTED (M6, M7, M9, M10)	
171	0121F00463DG	TOP, FURNACE 24.5" PAINTED (M8, M11)	
211	0130M00140	TRANSFORMER,(120V TO 24V,40VA,	
251	PCBBF164	CIRCUIT BOARD, FURNACE	
271	0121F00464	MOUNTING PLATE-CONTROLS	
321	4023500	CHIMNEY TRANSITION TOP	
NS	HID-2005	HOMEOWNERS INSTRUCTIONS	
NS	IOD-2026	INSTALLATION INSTRUCTIONS	
NS	PWDFURNSNT	WARRANTY, PRODUCT	

## Expanded Model Nomenclature

M1 - DM80TN0403ANAA
M2 - DM80TN0603BNAA
M3 - DM80TN0603BXAA
M4 - DM80TN0803BNAA
M5 - DM80TN0803BXAA
M6 - DM80TN0805CNAA
M7 - DM80TN0805CXAA
M8 - DM80TN0805DXAA
M9 - DM80TN1005CNAA
M10 - DM80TN1005CXAA
M11 - DM80TN1205DXAA

# Blower Assembly

BLOWER ASSEMBLY STYLE 1



# Blower Assembly

Ref. Part No:	Part No:	Description:	Ref. Part No:	Part No:	Description:
---------------	----------	--------------	---------------	----------	--------------

**Image 1:**

111	0131F00194	MOTOR PROGRAMMED (M1)
111	0131F00195	MOTOR PROGRAMMED (M2, M3)
111	0131F00196	MOTOR PROGRAMMED (M4, M5)
111	0131F00199	MOTOR PROGRAMMED (M6, M7)
111	0131F00200	MOTOR PROGRAMMED (M8)
111	0131F00201	MOTOR PROGRAMMED (M9, M10)
111	0131F00202	MOTOR PROGRAMMED (M11)
121	0259F00024	WIRE HARNESS-BLOWER (M8)
131	0130F00038	LIMIT, PRIMARY 120 LT BLUE
141	0121M00039	MOTOR MOUNT BAND (HEAVY DUTY)
151	0163M00538	MOUNT ARM, MOTOR (QTY 3)
171	0271F00303	BLOWER SHELL & WHEEL (M8)
181	B1392918	WASHER, FLAT 1/4 ID X 1 OD (QTY 3)
191	0163M00320	HEX HEAD ALL THREAD TAP BOLT
211	M0250565	SCREW-TC 1.25" (QTY 3)
221	0150M00042	WHEEL, BLOWER (10 X 10) (M6, M7, M9, M10)
221	0150M00043	WHEEL, BLOWER (10 X 8) (M2, M3, M4, M5)
221	0150M00061	WHEEL,BLOWER (M1)
221	0150M00062	WHEEL,BLOWER (M11)
231	B1393800	LOCKNUT, NYLON INSERT 1/4 20
241	0159F00119	CTM, MOTOR HARNESS
261	2539307	BLWR SHL ASM 10X10 10X10 (M6, M7, M9, M10, M11)
261	2539305	BLWR SHL ASM 10X6 10X6 (M1)
261	2539306	BLWR SHL ASM 10X8 10X8 (M2, M3, M4, M5)
271	764741	BLWR BLK-OFF,10X10 (M6, M7, M9, M10, M11)
271	764739	BLWR BLK-OFF,10X6 (M1)
271	764740	BLWR BLK-OFF,10X8 (M2, M3, M4, M5)

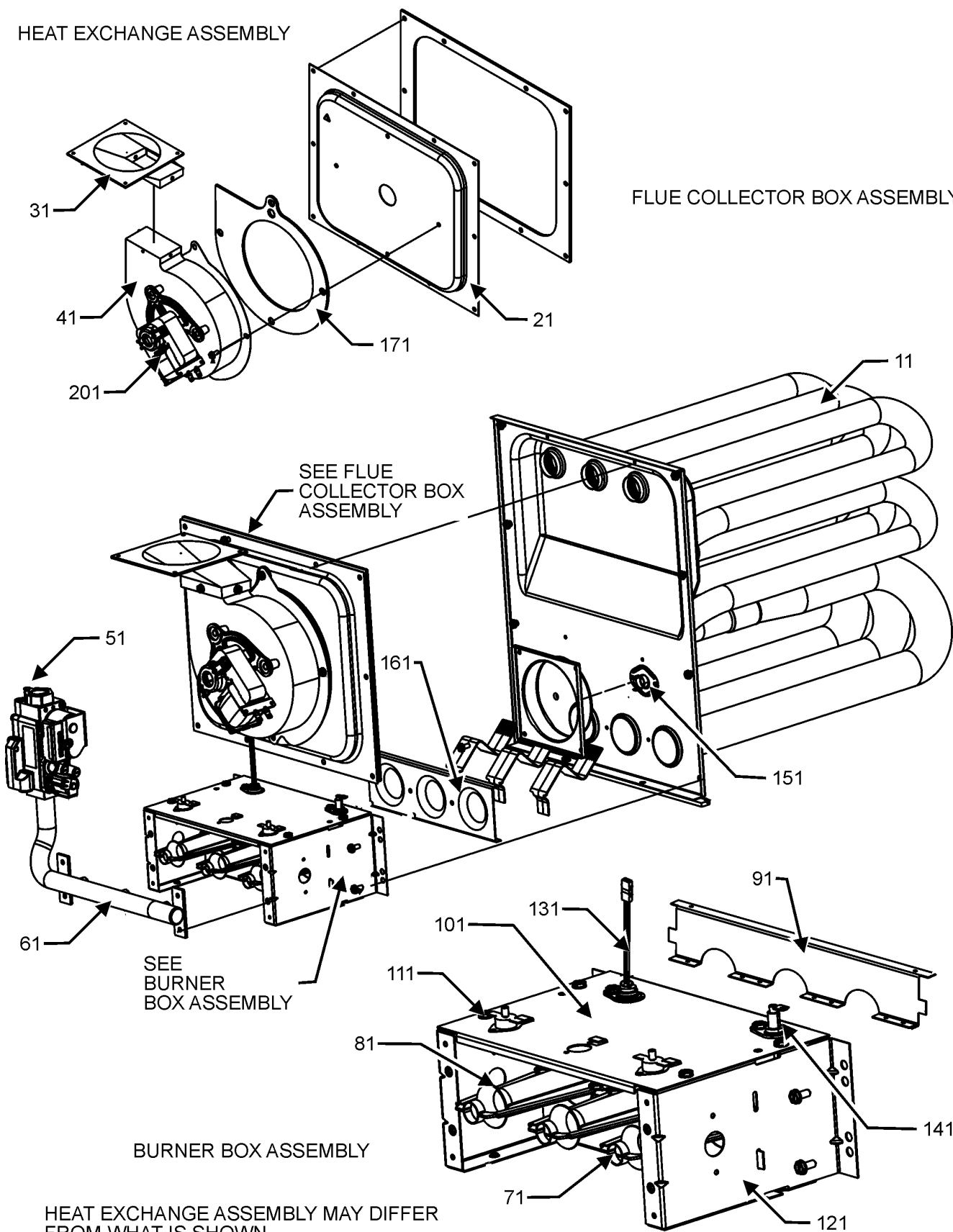
**Expanded Model Nomenclature**

M1 - DM80TN0403ANAA
M2 - DM80TN0603BNAA
M3 - DM80TN0603BXAA
M4 - DM80TN0803BNAA
M5 - DM80TN0803BXAA
M6 - DM80TN0805CNAA
M7 - DM80TN0805CXAA
M8 - DM80TN0805DXAA
M9 - DM80TN1005CNAA
M10 - DM80TN1005CXAA
M11 - DM80TN1205DXAA

# Heat Exchange Assembly

HEAT EXCHANGE ASSEMBLY

FLUE COLLECTOR BOX ASSEMBLY



HEAT EXCHANGE ASSEMBLY MAY DIFFER FROM WHAT IS SHOWN

# Heat Exchange Assembly

Ref. Part No:	Description:	Ref. Part No:	Description:
<b>Image 1:</b>		<b>Expanded Model Nomenclature</b>	
11	0270F00931 HEAT EXCHANGER ASSY (M1)	M1	DM80TN0403ANAA
11	0270F00933 HEAT EXCHANGER ASSY (M2, M3)	M2	DM80TN0603BNAA
11	0270F00934 HEAT EXCHANGER ASSY (M4, M5)	M3	DM80TN0603BXAA
11	0270F00935 HEAT EXCHANGER ASSY (M6, M7)	M4	DM80TN0803BNAA
11	0270F00936 HEAT EXCHANGER ASSY (M9, M10)	M5	DM80TN0803BXAA
11	0270F00937 HEAT EXCHANGER ASSY (M11)	M6	DM80TN0805CNAA
11	0270F03017 HEAT EXCHANGER ASSY (M8)	M7	DM80TN0805CXAA
21	0121F00328 17.5" COLLECTOR BOX 1.250" DIA (M2, M3)	M8	DM80TN0805DXAA
21	0121F00334 21" COLLECTOR BOX 1.625" DIA (M8)	M9	DM80TN1005CNAA
21	0121F00333 21" COLLECTOR BOX 1.75" DIA (M9, M10)	M10	DM80TN1005CXAA
21	0121F00336 21" FLUE COLLECTOR BOX 1.50" (M6, M7)	M11	DM80TN1205DXAA
21	0121F00655 COLLECTOR BOX 17.5" 1.437 DIA (M4, M5)		
21	0121F00783 COLLECTOR BOX, 14" (M1)		
21	0121F00782 COLLECTOR BOX, 24.5" (M11)		
31	0128F00006 TRANSITION, BOTTOM		
41	0131M00781P MOTOR, VENT 2-STAGE		
51	0151M00027 GAS VALVE		
61	0120F00006 MANIFOLD (M1)		
61	0120F00007 MANIFOLD (M2, M3)		
61	0120F00008 MANIFOLD (M4, M5, M6, M7, M8)		
61	0120F00009 MANIFOLD (M9, M10)		
61	0120F00010 MANIFOLD (M11)		
71	10716005 ORIFICE (QTY 2)		
81	B4022700 INSHOT BURNER ASSY 3" (QTY 2)		
91	0121F00167 BURNER RACK, 2 CELL (M1)		
91	0121F00168 BURNER RACK, 3 CELL (M2, M3)		
91	0121F00169 BURNER RACK, 4 CELL (M4, M5, M6, M7, M8)		
91	0121F00170 BURNER RACK, 5 CELL (M9, M10)		
91	0121F00171 BURNER RACK, 6 CELL (M11)		
101	0121F00162 TOP, BURNER BOX 2 CELL (M1)		
101	0121F00759 TOP, BURNER BOX 3 CELL (M2, M3)		
101	0121F00760 TOP, BURNER BOX 4 CELL (M4, M5, M6, M7, M8)		
101	0121F00761 TOP, BURNER BOX 5 CELL (M9, M10)		
101	0121F00762 TOP, BURNER BOX 6 CELL (M11)		
111	10123529 MANUAL RESET R.O.S. LIMIT (QTY 2)		
121	0121F00146 SIDE PLATE-BURNER BOX (QTY 2)		
131	0130F00008 SINI IGNITOR		
141	0130F00010 FLAME SENSOR		
151	20162904 *PRIMARY LIMIT-TEMPERATURE CONTROL (M4, M5, M8)		
151	20162903 LIMIT, PRIMARY (M2, M3, M11)		
151	20162905 LIMIT, PRIMARY (M9, M10)		
151	20162906 LIMIT, PRIMARY (M1)		
151	0130M00063 LIMIT, PRIMARY, 140, GOLD (M6, M7)		
161	4028000 ORIFICE PLATE, 2CELL (M1)		
161	4028001 ORIFICE PLATE, 3CELL (M2, M3)		
161	4028002 ORIFICE PLATE, 4 CELL (M4, M5, M6, M7, M8)		
161	4028003 ORIFICE PLATE, 5CELL (M9, M10)		
161	4028004 ORIFICE PLATE, 6CELL (M11)		
171	0154F00003 GASKET-14 INCH (M1)		
171	0154F00004 GASKET-17.5 INCH (M2, M3, M4, M5)		
171	0154F00005 GASKET-21 INCH (M6, M7, M8, M9, M10)		
171	0154F00006 GASKET-24.5 INCH (M11)		
201	DY6.186.070 VENT MOTOR CAPACITOR		
NS	0259F00062 INDUCER HARNESS ASSY		
NS	0159F00138 WIRE HARNESS		