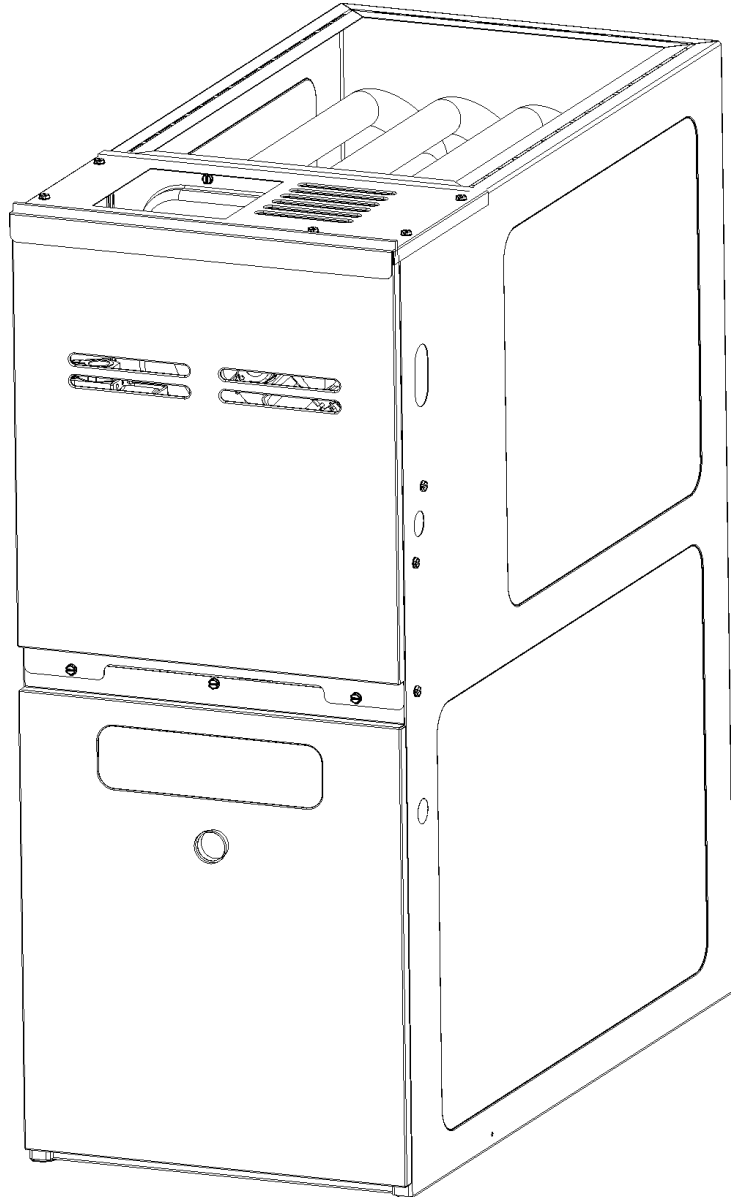


DM80SS Multi-Position Furnace

DM80SS0403AXAA
DM80SS0403AXAB
DM80SS0403AXAC
DM80SS0603AXAA
DM80SS0603AXAB
DM80SS0603AXAC
DM80SS0604BXAA
DM80SS0604BXAB
DM80SS0604BXAC
DM80SS0804BXAA
DM80SS0804BXAB
DM80SS0804BXAC
DM80SS0805CXAA
DM80SS0805CXAB
DM80SS0805CXAC
DM80SS1005CXAA
DM80SS1005CXAB
DM80SS1005CXAC
DM80SS1205DXAA
DM80SS1205DXAB
DM80SS1205DXAC
DM80SS1405DNAA
DM80SS1405DNAB
DM80SS1405DNAC



This manual is to be used by qualified technicians only.

This manual replaces RP-D2012B.

Important Information

Index

Functional Parts List	3
Illustration and Parts	4 - 9

Views shown are for parts illustrations only, not servicing procedures

Text Codes:

AR - As Required

NA - Not Available

NS - Not Shown

00000000 - See Note

QTY - Quantity Example (QTY 3) (If Quantity not shown, Quantity = 1)

M - Model Example (M1) (If M Code not shown, then part is used on all Models)

Expanded Model Nomenclature:

Example M1 - Model#1 M2 - Model#2 M3 - Model#3

Daikin Manufacturing Company, L.P. is not responsible for personal injury or property damage resulting from improper service. Review all service information before beginning repairs.

Warranty service must be performed by an authorized technician, using authorized factory parts. If service is required after the warranty expires, Daikin Manufacturing Company, L.P. also recommends contacting an authorized technician and using authorized factory parts.

Daikin Manufacturing Company, L.P. reserves the right to discontinue, or change at any time, specifications or designs without notice or without incurring obligations.

For assistance within the U.S.A. contact:

Consumer Affairs Department

Daikin North America, LLC

7401 Security Way

Houston, Texas 77040

855-770-5678-Telephone

713-863-2382-Facsimile

For assistance outside the U.S.A. contact:

International Division

Daikin North America, LLC

7401 Security Way

Houston, Texas 77040

713-861-2500-Telephone

713-863-2382-Facsimile

Functional Parts

Part

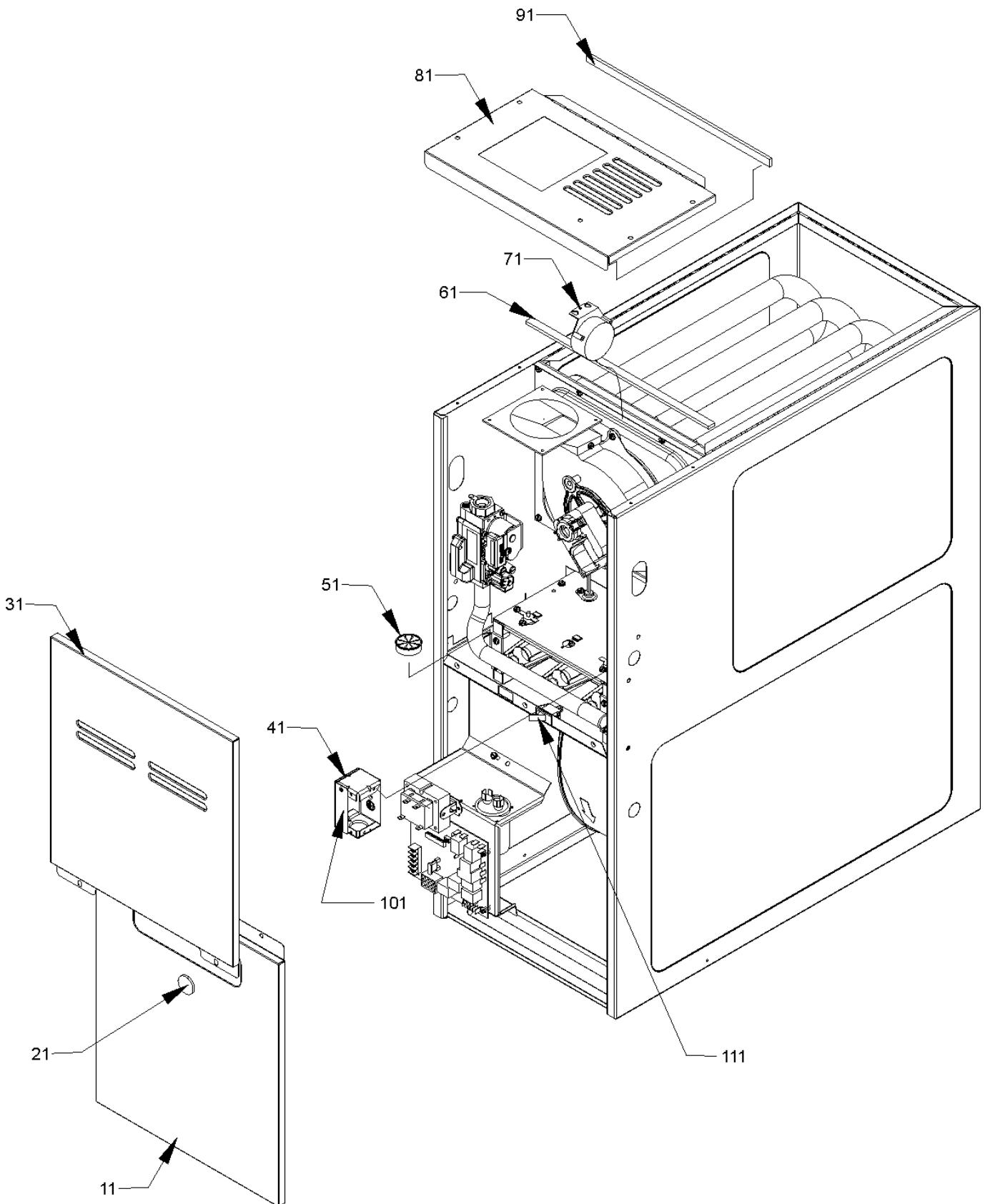
No: Description:

20162904	*PRIMARY LIMIT-TEMPERATURE CONTROL (M4, M5, M6, M7, M8, M9, M10, M11, M12, M16, M17, M18) *Refer to service bulletin SF-054
0130F00038	AUX LIMIT - LT BLUE 120°
0131F00022	BLOWER MOTOR 1/2 HP, 4 SP, 6 PL (M7, M8, M9, M10, M11, M12, M13, M14, M15, M16, M17, M18)
20046618	BLOWER MOTOR 3/4 HP (M19, M20, M21, M22, M23, M24)
0131F00027	BLOWER MOTOR, 1/3HP, 4SP, 6PL (M1, M2, M3, M4, M5, M6)
B1368047	BLOWER WHEEL 10 X 10 (M13, M14, M15, M16, M17, M18)
B1368034	BLOWER WHEEL 10 X 6 (M1, M2, M3, M4, M5, M6)
B1368016	BLOWER WHEEL 10 X 8 (M7, M8, M9, M10, M11, M12)
B1368000	BLOWER WHEEL 11 X 10 (M19, M20, M21, M22, M23, M24)
CAP125000370CP	CAP, 12.5 MFD/370V/ RD (M1, M2, M3, M4, M5, M6)
CAP200000370CP	CAP, 20 MFD/370V/ RD (M7, M8, M9, M10, M11, M12, M13, M14, M15, M16, M17, M18)
CAP250000370CP	CAP, 25 MFD/370V/ RD (M19, M20, M21, M22, M23, M24)
0130F00010	FLAME SENSOR
0151M00037	GAS VALVE (M2, M3, M5, M6, M8, M9, M11, M12, M14, M15, M17, M18, M20, M21, M23, M24)
0151M00013	GAS VALVE (HW) SINGLE STAGE (M1, M4, M7, M10, M13, M16, M19, M22)
0270F00937	HEAT EXCHANGER ASSY (M19, M20, M21, M22, M23, M24)
0270F00931	HEAT EXCHANGER ASSY (M1, M2, M3)
0270F00932	HEAT EXCHANGER ASSY (M4, M5, M6)
0270F00933	HEAT EXCHANGER ASSY (M7, M8, M9)
0270F00934	HEAT EXCHANGER ASSY (M10, M11, M12)
0270F00936	HEAT EXCHANGER ASSY (M16, M17, M18)
0270F00935	HEAT EXCHANGER ASSY (M13, M14, M15)
PCBBF134	IGNITION BOARD, HSI INTEGRATED (M3, M6, M9, M12, M15, M18, M21, M24)
PCBBF123S	IGNITION BOARD, HSI INTEGRATED (M1, M2, M4, M5, M7, M8, M10, M11, M13, M14, M16, M17, M19, M20, M22, M23)
10690402	INTERLOCK SWITCH
10123529	MANUAL RESET R.O.S. LIMIT (QTY 2)
20162901	PRESSURE LIMIT-RED (M1, M2, M3)
0130F00042	PRESSURE SWITCH (M19, M20, M21, M22, M23, M24)
B1370179	PRESSURE SWITCH (M4, M5, M6, M7, M8, M9, M13, M14, M15)
B1370158	PRESSURE SWITCH -0.70" WC (M1, M2, M3, M10, M11, M12, M16, M17, M18)
20162903	PRIMARY LIMIT - BLUE (M13, M14, M15, M19, M20, M21, M22, M23, M24)
0130M00140	TRANSFORMER 120V TO 24V, 40VA
DY6.186.070	VENT MOTOR CAPACITOR
0131M00002P	VENT MOTOR, 80+

Expanded Model Nomenclature

M1 - DM80SS0403AXAA
M2 - DM80SS0403AXAB
M3 - DM80SS0403AXAC
M4 - DM80SS0603AXAA
M5 - DM80SS0603AXAB
M6 - DM80SS0603AXAC
M7 - DM80SS0604BXAA
M8 - DM80SS0604BXAB
M9 - DM80SS0604BXAC
M10 - DM80SS0804BXAA
M11 - DM80SS0804BXAB
M12 - DM80SS0804BXAC
M13 - DM80SS0805CXAA
M14 - DM80SS0805CXAB
M15 - DM80SS0805CXAC
M16 - DM80SS1005CXAA
M17 - DM80SS1005CXAB
M18 - DM80SS1005CXAC
M19 - DM80SS1205DXAA
M20 - DM80SS1205DXAB
M21 - DM80SS1205DXAC
M22 - DM80SS1405DNAA
M23 - DM80SS1405DNAB
M24 - DM80SS1405DNAC

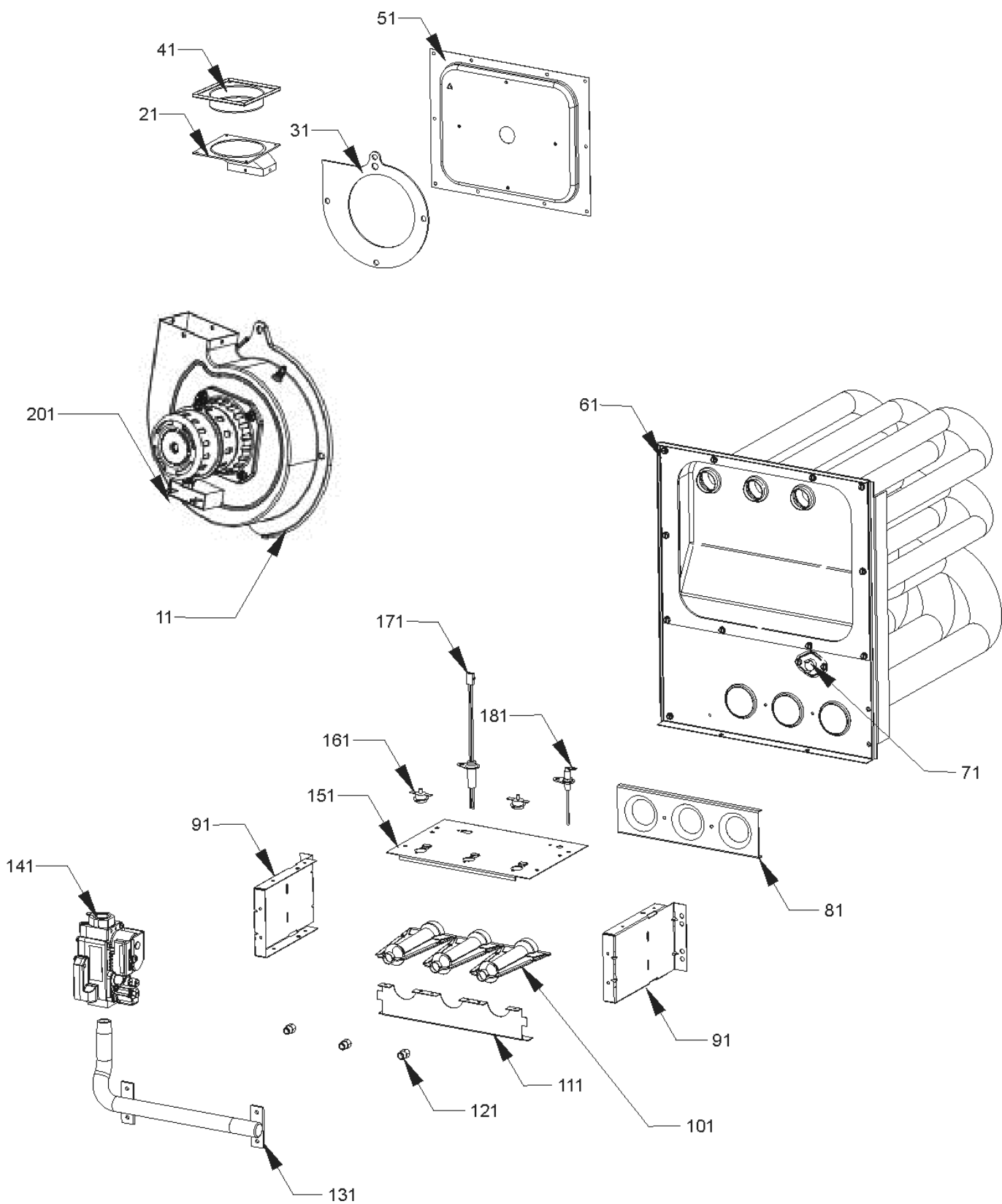
Cabinet Assy



Cabient Assy

Ref. Part No: No:	Description:	Ref. Part No: No:	Description:
Image 1:		Expanded Model Nomenclature	
11	0121F00122NG DOOR, BLOWER, 14"-PAINTED (M1, M2, M3, M4, M5, M6)	M1 -	DM80SS0403AXAA
11	0121F00123NG DOOR, BLOWER, 17.5"-PAINTED (M7, M8, M9, M10, M11, M12)	M2 -	DM80SS0403AXAB
11	0121F00124NG DOOR, BLOWER, 21"-PAINTED (M13, M14, M15, M16, M17, M18)	M3 -	DM80SS0403AXAC
11	0121F00125NG DOOR, BLOWER, 24.5"-PAINTED (M19, M20, M21, M22, M23, M24)	M4 -	DM80SS0603AXAA
21	B1392139 VIEW PORT BUSHING-BLOWER DOOR	M5 -	DM80SS0603AXAB
31	0121F00118NG DOOR CTRL ACCESS, 14"-PAINTED (M1, M2, M3, M4, M5, M6)	M6 -	DM80SS0603AXAC
31	0121F00120NG DOOR CTRL ACCESS, 21"-PAINTED (M13, M14, M15, M16, M17, M18)	M7 -	DM80SS0604BXAA
31	0121F00119NG DOOR CTRL ACCESS, 17.5"-PAINTED (M7, M8, M9, M10, M11, M12)	M8 -	DM80SS0604BXAB
31	0121F00121NG DOOR CTRL ACCESS, 24.5"-PAINTED (M19, M20, M21, M22, M23, M24)	M9 -	DM80SS0604BXAC
41	4014502 J-BOX	M10 -	DM80SS0804BXAA
51	B1392147 UNIVERSAL BUSHING WITH SLICE	M11 -	DM80SS0804BXAB
61	B13926111 SEAL STRIP, 1/8 X 1/2 X 14 (M1, M2, M3, M4, M5, M6)	M12 -	DM80SS0804BXAC
61	B13926112 SEAL STRIP, 1/8 X 1/2 X 17.5 (M7, M8, M9, M10, M11, M12)	M13 -	DM80SS0805CXAA
61	B13926113 SEAL STRIP, 1/8 X 1/2 X 21 (M13, M14, M15, M16, M17, M18)	M14 -	DM80SS0805CXAB
61	B13926114 SEAL STRIP, 1/8 X 1/2 X 24.5 (M19, M20, M21, M22, M23, M24)	M15 -	DM80SS0805CXAC
71	0130F00042 PRESSURE SWITCH (M19, M20, M21, M22, M23, M24)	M16 -	DM80SS1005CXAA
71	B1370179 PRESSURE SWITCH (M4, M5, M6, M7, M8, M9, M13, M14, M15)	M17 -	DM80SS1005CXAB
71	B1370158 PRESSURE SWITCH -0.70" WC (M1, M2, M3, M10, M11, M12, M16, M17, M18)	M18 -	DM80SS1005CXAC
81	0121F00141DG TOP 14" (M1, M2, M3, M4, M5, M6)	M19 -	DM80SS1205DXAA
81	0121F00142DG TOP 17.5" (M7, M8, M9, M10, M11, M12)	M20 -	DM80SS1205DXAB
81	0121F00143DG TOP 21" (M13, M14, M15, M16, M17, M18)	M21 -	DM80SS1205DXAC
81	0121F00463DG TOP, FURNACE 24.5" PAINTED (M19, M20, M21, M22, M23, M24)	M22 -	DM80SS1405DNAA
91	B13926111 SEAL STRIP, 1/8 X 1/2 X 14 (M1, M2, M3, M4, M5, M6)	M23 -	DM80SS1405DNAB
91	B13926112 SEAL STRIP, 1/8 X 1/2 X 17.5 (M7, M8, M9, M10, M11, M12)	M24 -	DM80SS1405DNAC
91	B13926113 SEAL STRIP, 1/8 X 1/2 X 21 (M13, M14, M15, M16, M17, M18)		
91	B13926114 SEAL STRIP, 1/8 X 1/2 X 24.5 (M19, M20, M21, M22, M23, M24)		
101	4015502 J-BOX COVER		
111	10690402 INTERLOCK SWITCH		
NS	0259F00051 IGNITOR WIRE HARNESS ASSY (M3, M6, M9, M12, M15, M18, M21, M24)		
NS	1819000 SOLID BOTTOM 14" CASE (M1, M2, M3, M4, M5, M6)		
NS	1819001 SOLID BOTTOM 17.5" CASE (M7, M8, M9, M10, M11, M12)		
NS	1819002 SOLID BOTTOM 21" CASE (M13, M14, M15, M16, M17, M18)		
NS	1819003 SOLID BOTTOM 24.5" CASE (M19, M20, M21, M22, M23, M24)		
NS	0159F00019 WIRE HARNESS ASSY, IGNITOR (M1, M2, M4, M5, M7, M8, M10, M11, M13, M14, M16, M17, M19, M20, M22, M23)		

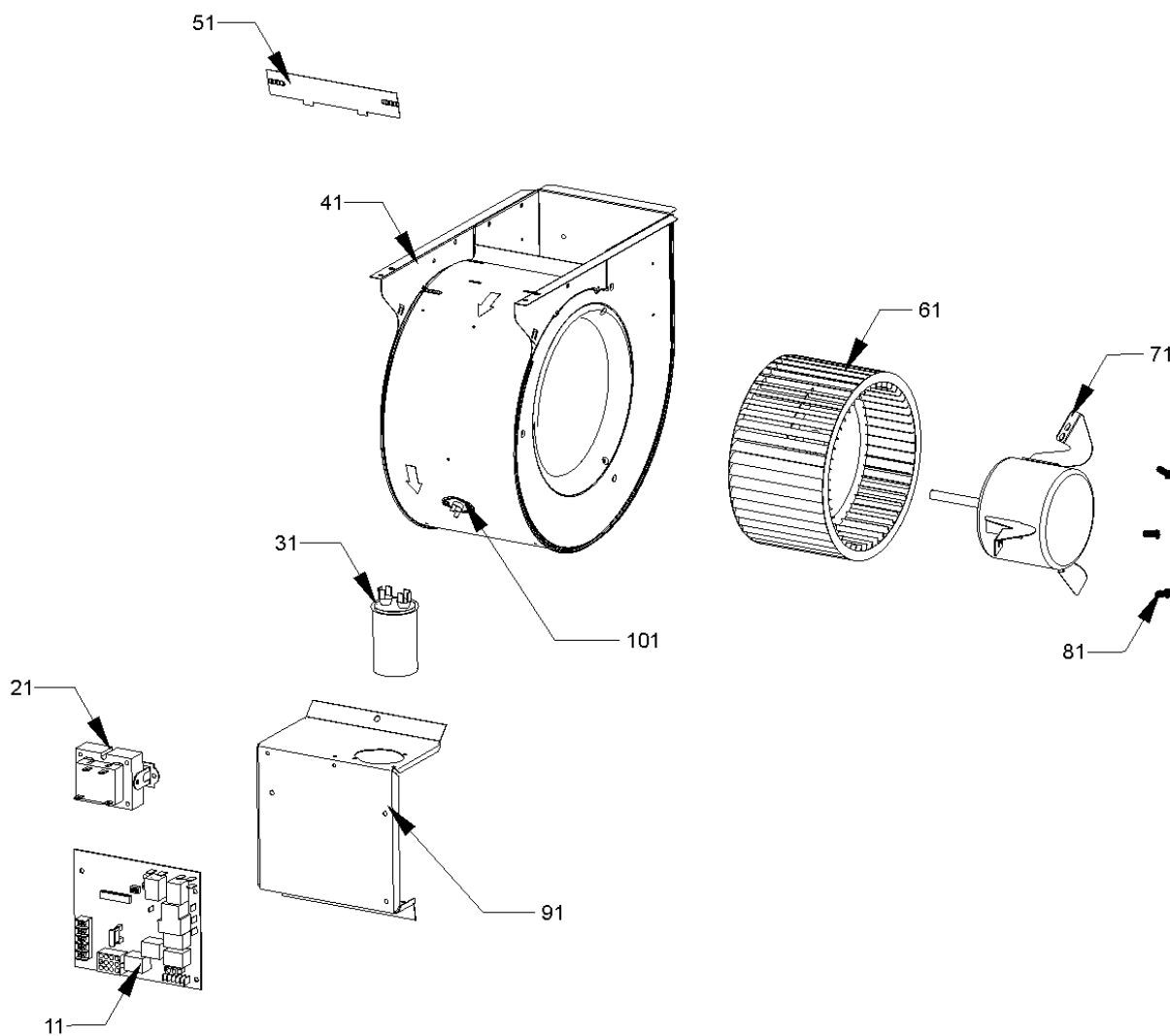
Heat Exchanger / Collector Box Assy



Heat Exchanger / Collector Box Assy

Ref. Part No: No:	Description:	Ref. Part No: No:	Description:
Image 1:		Image 1:	
11	0131M00002P VENT MOTOR, 80+	131	0120F00010 MANIFOLD (M19, M20, M21, M22, M23, M24)
21	0128F00006 CHIMNEY TRANSITION BOTTOM	141	0151M00037 GAS VALVE (M2, M3, M5, M6, M8, M9, M11, M12, M14, M15, M17, M18, M20, M21, M23, M24)
31	0154F00003 VENT MOTOR GASKET 14" (M1, M2, M3, M4, M5, M6)	141	0151M00013 GAS VALVE (HW) SINGLE STAGE (M1, M4, M7, M10, M13, M16, M19, M22)
31	0154F00004 VENT MOTOR GASKET 17.5" (M7, M8, M9, M10, M11, M12)	151	0121F00162 BURNER BOX TOP 2 CELL (M1, M2, M3)
31	0154F00005 VENT MOTOR GASKET 21" (M13, M14, M15, M16, M17, M18)	151	0121F00163 BURNER BOX TOP 3 CELL (M4, M5, M6, M7, M8, M9)
31	0154F00006 VENT MOTOR GASKET 24.5" (M19, M20, M21, M22, M23, M24)	151	0121F00164 BURNER BOX TOP 4 CELL (M10, M11, M12, M13, M14, M15)
41	4023500 CHIMNEY TRANSITION TOP	151	0121F00165 BURNER BOX TOP 5 CELL (M16, M17, M18)
51	0121F00333 21" COLLECTOR BOX 1.75" DIA (M13, M14, M15, M16, M17, M18)	151	0121F00166 BURNER BOX TOP 6 CELL (M19, M20, M21, M22, M23, M24)
51	0121F00330 24.5" COLLECTOR BOX 2.125" DIA (M19, M20, M21)	161	10123529 MANUAL RESET R.O.S. LIMIT (QTY 2)
51	0121F00126 FLUE COLLECTOR BOX KIT 14" 1.25 DIA (M1, M2, M3)	171	20165703 IGNITOR (M1, M2, M4, M5, M7, M8, M10, M11, M13, M14, M16, M17, M19, M20, M22, M23)
51	0121F00198 FLUE COLLECTOR BOX KIT 14" 1.75 DIA (M4, M5, M6)	171	0130F00008 IGNITOR-SINI 17 SEC (M3, M6, M9, M12, M15, M18, M21, M24)
51	0121F00128 FLUE COLLECTOR BOX KIT 17.5" 1.75 DIA (M7, M8, M9, M10, M11, M12)	181	0130F00010 FLAME SENSOR
51	0121F00131 FLUE COLLECTOR BOX KIT 24.5" 3.5 DIA (M22, M23, M24)	201	DY6.186.070 VENT MOTOR CAPACITOR
61	0270F00931 HEAT EXCHANGER ASSY (M1, M2, M3)	Expanded Model Nomenclature	
61	0270F00932 HEAT EXCHANGER ASSY (M4, M5, M6)	M1 - DM80SS0403AXAA	
61	0270F00933 HEAT EXCHANGER ASSY (M7, M8, M9)	M2 - DM80SS0403AXAB	
61	0270F00934 HEAT EXCHANGER ASSY (M10, M11, M12)	M3 - DM80SS0403AXAC	
61	0270F00935 HEAT EXCHANGER ASSY (M13, M14, M15)	M4 - DM80SS0603AXAA	
61	0270F00936 HEAT EXCHANGER ASSY (M16, M17, M18)	M5 - DM80SS0603AXAB	
61	0270F00937 HEAT EXCHANGER ASSY (M19, M20, M21, M22, M23, M24)	M6 - DM80SS0603AXAC	
71	20162904 *PRIMARY LIMIT-TEMPERATURE CONTROL (M4, M5, M6, M7, M8, M9, M10, M11, M12, M16, M17, M18) *Refer to service bulletin SF-054	M7 - DM80SS0604BXAA	
71	20162901 PRESSURE LIMIT-RED (M1, M2, M3)	M8 - DM80SS0604BXAB	
71	20162903 PRIMARY LIMIT - BLUE (M13, M14, M15, M19, M20, M21, M22, M23, M24)	M9 - DM80SS0604BXAC	
81	4028000 ORIFICE SHIELD 2 CELL (M1, M2, M3)	M10 - DM80SS0804BXAA	
81	4028001 ORIFICE SHIELD 3 CELL (M4, M5, M6, M7, M8, M9)	M11 - DM80SS0804BXAB	
81	4028002 ORIFICE SHIELD 4 CELL (M10, M11, M12, M13, M14, M15)	M12 - DM80SS0804BXAC	
81	4028003 ORIFICE SHIELD 5 CELL (M16, M17, M18)	M13 - DM80SS0805CXAA	
81	4028004 ORIFICE SHIELD 6 CELL (M19, M20, M21, M22, M23, M24)	M14 - DM80SS0805CXAB	
91	0121F00146 BURNER BOX SIDE (QTY 2)	M15 - DM80SS0805CXAC	
101	B4022700 INSHOT BURNER ASSY 3" (QTY 2)	M16 - DM80SS1005CXAA	
111	0121F00167 BURNER BRACKET 2B (M1, M2, M3)	M17 - DM80SS1005CXAB	
111	0121F00168 BURNER BRACKET 3B (M4, M5, M6, M7, M8, M9)	M18 - DM80SS1005CXAC	
111	0121F00169 BURNER BRACKET 4B (M10, M11, M12, M13, M14, M15)	M19 - DM80SS1205DXAA	
111	0121F00170 BURNER BRACKET 5B (M16, M17, M18)	M20 - DM80SS1205DXAB	
111	0121F00171 BURNER BRACKET 6B (M19, M20, M21, M22, M23, M24)	M21 - DM80SS1205DXAC	
121	0163F00018 ORIFICE (M22, M23, M24)	M22 - DM80SS1405DNAA	
121	10716005 ORIFICE (M1, M2, M3, M4, M5, M6, M7, M8, M9, M10, M11, M12, M13, M14, M15, M16, M17, M18, M19, M20, M21)	M23 - DM80SS1405DNAB	
131	0120F00006 MANIFOLD (M1, M2, M3)	M24 - DM80SS1405DNAC	
131	0120F00007 MANIFOLD (M4, M5, M6, M7, M8, M9)		
131	0120F00008 MANIFOLD (M10, M11, M12, M13, M14, M15)		
131	0120F00009 MANIFOLD (M16, M17, M18)		

Blower / Control Panel Assy



Blower / Control Panel Assy

Ref. Part No:	Description:	Ref. Part No:	Description:
<i>Image 1:</i>		Expanded Model Nomenclature	
11	PCBBF123S IGNITION BOARD, HSI INTEGRATED (M1, M2, M4, M5, M7, M8, M10, M11, M13, M14, M16, M17, M19, M20, M22, M23)	M1 - DM80SS0403AXAA	
11	PCBBF134 IGNITION BOARD, HSI INTEGRATED (M3, M6, M9, M12, M15, M18, M21, M24)	M2 - DM80SS0403AXAB	
21	0130M00140 TRANSFORMER 120V TO 24V, 40VA	M3 - DM80SS0403AXAC	
31	CAP125000370CP CAP, 12.5 MFD/370V/ RD (M1, M2, M3, M4, M5, M6)	M4 - DM80SS0603AXAA	
31	CAP200000370CP CAP, 20 MFD/370V/ RD (M7, M8, M9, M10, M11, M12, M13, M14, M15, M16, M17, M18)	M5 - DM80SS0603AXAB	
31	CAP250000370CP CAP, 25 MFD/370V/ RD (M19, M20, M21, M22, M23, M24)	M6 - DM80SS0603AXAC	
41	2539307 BLOWER HOUSING 10 X 10 (M13, M14, M15, M16, M17, M18, M19, M20, M21, M22, M23, M24)	M7 - DM80SS0604BXAA	
41	2539305 BLOWER HOUSING 10 X 6 (M1, M2, M3, M4, M5, M6)	M8 - DM80SS0604BXAB	
41	2539306 BLOWER HOUSING 10 X 8 (M7, M8, M9, M10, M11, M12)	M9 - DM80SS0604BXAC	
51	764741 BLOWER BLOCK-OFF 10 X 10 (M13, M14, M15, M16, M17, M18, M19, M20, M21, M22, M23, M24)	M10 - DM80SS0804BXAA	
51	764740 BLOWER BLOCK-OFF 10 X 8 (M7, M8, M9, M10, M11, M12)	M11 - DM80SS0804BXAB	
51	764739 BLOWER CUT-OFF 10 X 6 (M1, M2, M3, M4, M5, M6)	M12 - DM80SS0804BXAC	
61	B1368047 BLOWER WHEEL 10 X 10 (M13, M14, M15, M16, M17, M18)	M13 - DM80SS0805CXAA	
61	B1368034 BLOWER WHEEL 10 X 6 (M1, M2, M3, M4, M5, M6)	M14 - DM80SS0805CXAB	
61	B1368016 BLOWER WHEEL 10 X 8 (M7, M8, M9, M10, M11, M12)	M15 - DM80SS0805CXAC	
61	B1368000 BLOWER WHEEL 11 X 10 (M19, M20, M21, M22, M23, M24)	M16 - DM80SS1005CXAA	
71	0131F00022 BLOWER MOTOR 1/2 HP, 4 SP, 6 PL (M7, M8, M9, M10, M11, M12, M13, M14, M15, M16, M17, M18)	M17 - DM80SS1005CXAB	
71	20046618 BLOWER MOTOR 3/4 HP (M19, M20, M21, M22, M23, M24)	M18 - DM80SS1005CXAC	
71	0131F00027 BLOWER MOTOR, 1/3HP, 4SP, 6PL (M1, M2, M3, M4, M5, M6)	M19 - DM80SS1205DXAA	
81	M0250558 TC SCREW (QTY 3)	M20 - DM80SS1205DXAB	
91	1815817 CONTROL MOUNT PANEL	M21 - DM80SS1205DXAC	
101	0130F00038 AUX LIMIT - LT BLUE 120°	M22 - DM80SS1405DNAA	
NS	0259F00054 12-PIN WIRE HARNESS ASSY	M23 - DM80SS1405DNAB	
NS	B1393802 SUPPORT, 2-WING BOARD, .187 MT (QTY 4)	M24 - DM80SS1405DNAC	
NS	B1393803 SUPPORT, SINGLE-WING BOARD (.1		