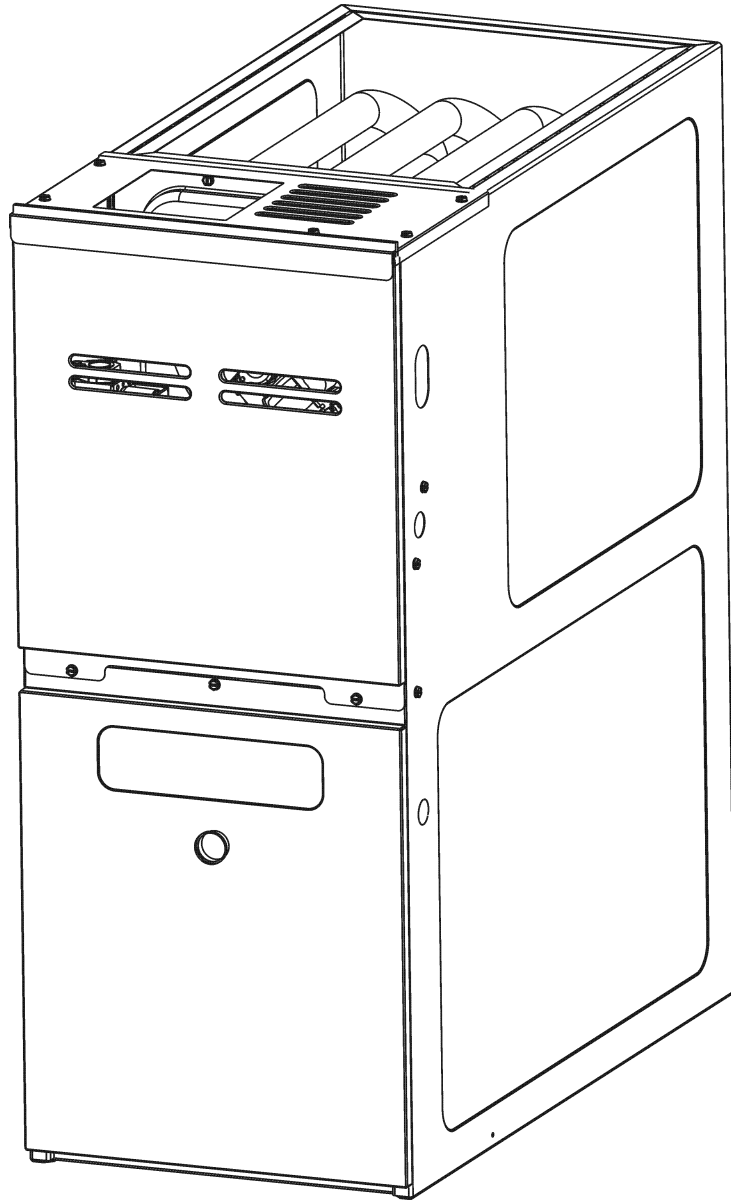


DM80SS 80% Single Stage Upflow Horizontal Furnace

DM80SS0403AXAD
DM80SS0603AXAD
DM80SS0604BXAD
DM80SS0804BXAD
DM80SS0805CXAD
DM80SS1005CXAD



This manual is to be used by qualified technicians only.

This manual replaces RP-D2307.

© 2016 - 2017 **DAIKIN MANUFACTURING COMPANY, L.P.** ♦ 5151 San Felipe St., Suite 500 ♦ Houston, TX 77056

Important Information

Index

Functional Parts List	3
Illustration and Parts	4 - 9

Views shown are for parts illustrations only, not servicing procedures

Text Codes:

AR - As Required

NA - Not Available

NS - Not Shown

00000000 - See Note

QTY - Quantity Example (QTY 3) (If Quantity not shown, Quantity = 1)

M - Model Example (M1) (If M Code not shown, then part is used on all Models)

Expanded Model Nomenclature:

Example M1 - Model#1 M2 - Model#2 M3 - Model#3

Daikin Company, L.P. is not responsible for personal injury or property damage resulting from improper service. Review all service information before beginning repairs.

Warranty service must be performed by an authorized technician, using authorized factory parts. If service is required after the warranty expires, Daikin Company, L.P. also recommends contacting an authorized technician and using authorized factory parts.

Daikin Company, L.P. reserves the right to discontinue, or change at any time, specifications or designs without notice or without incurring obligations.

For assistance within the U.S.A. contact:

Homeowner Support
Daikin North America, LLC
19001 Kermier Road
Waller, Texas 77484
855-770-5678-Telephone
713-863-2382-Facsimile

For assistance outside the U.S.A. contact:

International Division
Daikin North America, LLC
19001 Kermier Road
Waller, Texas 77484
713-861-2500-Telephone
713-863-2382-Facsimile

Functional Parts

Part

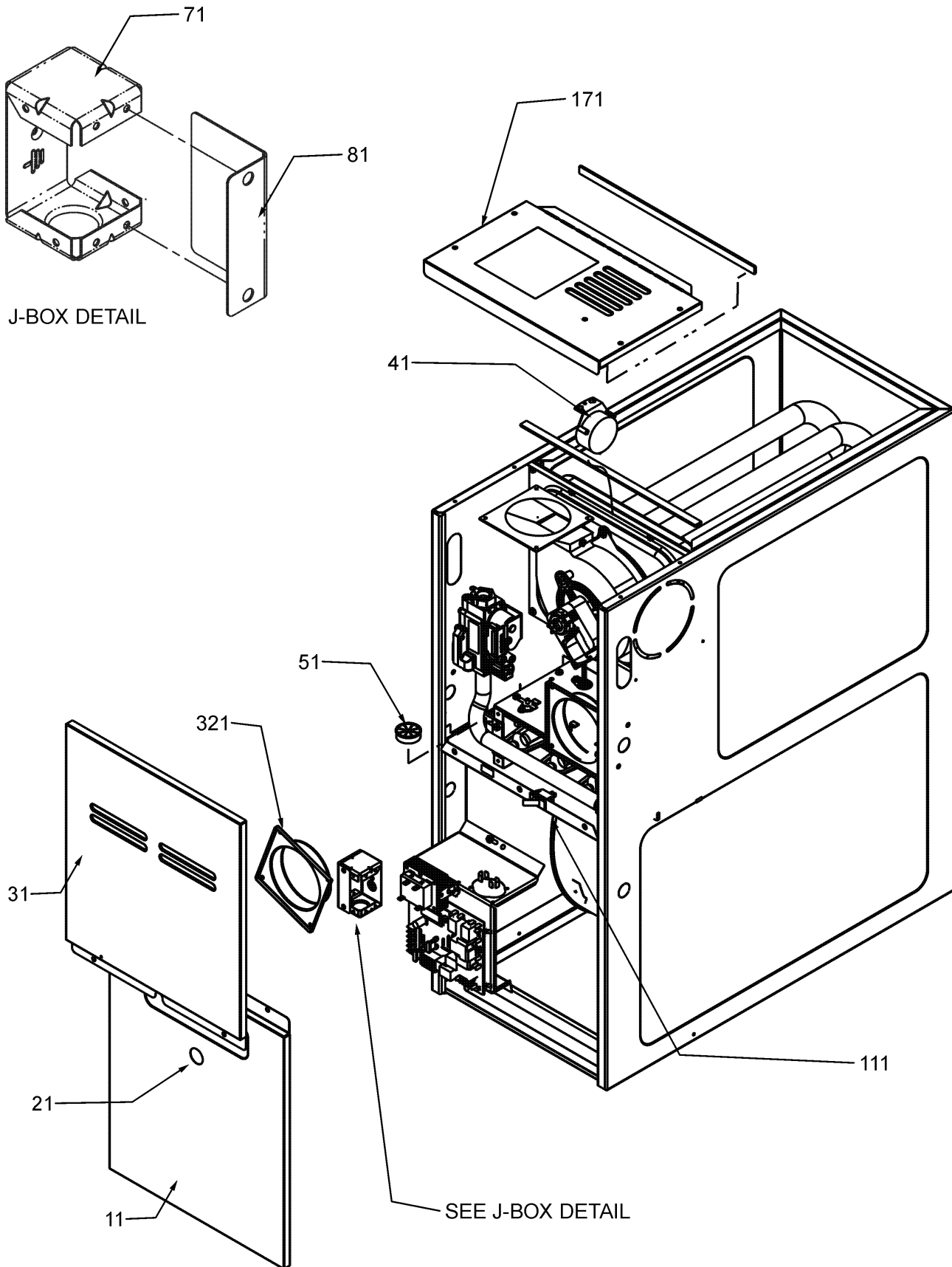
No: Description:

20162904	*PRIMARY LIMIT-TEMPERATURE CONTROL (M2, M3, M4, M6) *Refer to service bulletin SF-054
B1368034	BLOWER WHEEL 10 X 6 (M1, M2)
CAP200000370CP	CAP, 20 MFD/370V/ RD
0130F00010	FLAME SENSOR
0151M00037	GAS VALVE
10690402	INTERLOCK SWITCH
10123529	MANUAL RESET R.O.S. LIMIT (QTY 2)
0131F00042	MOTOR, 1/2HP, 4SP, 6PL (M3, M4)
0131F00043	MOTOR, 1/2HP, 4SP, 6PL (M5, M6)
0131F00041	MOTOR, 1/3HP, 4SP, 6PL (M1, M2)
0131M00002P	MOTOR, VENT 80+
PCBBF134	PCB, IGNITION, HSI, INTEG
20162901	PRESSURE LIMIT-RED (M1)
B1370179	PRESSURE SWITCH (M2, M3, M5)
B1370158	PRESSURE SWITCH -0.70" WC (M1, M4, M6)
20162903	PRIMARY LIMIT - BLUE (M5)
0130F00038	PRIMARY LIMIT - LT BLUE 120° (AUX)
0130F00008	SINI IGNITOR
0130M00140	TRANSFORMER 120V TO 24V, 40VA
0150M00042	WHEEL, BLOWER (10 X 10) (M5, M6)
0150M00043	WHEEL, BLOWER (10 X 8) (M3, M4)

Expanded Model Nomenclature

M1 - DM80SS0403AXAD
M2 - DM80SS0603AXAD
M3 - DM80SS0604BXAD
M4 - DM80SS0804BXAD
M5 - DM80SS0805CXAD
M6 - DM80SS1005CXAD

Wrapper Assy



Wrapper Assy

Ref. Part No: No:	Description:	Ref. Part No: No:	Description:
-------------------	--------------	-------------------	--------------

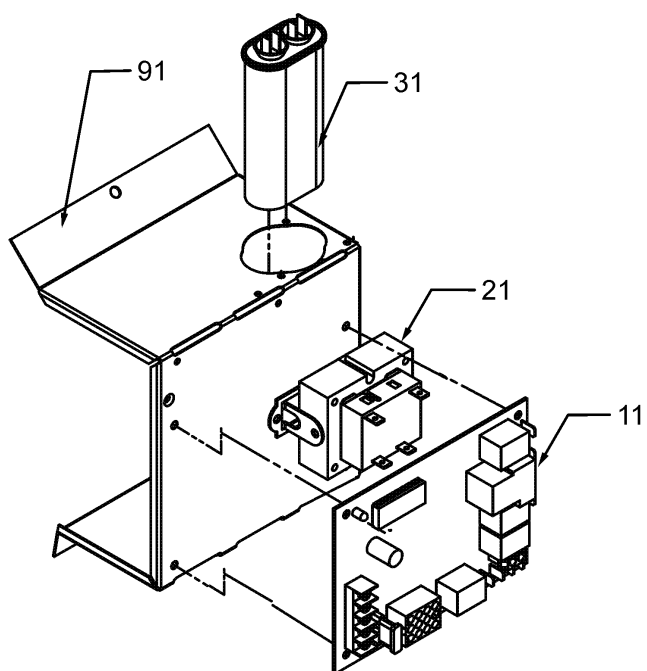
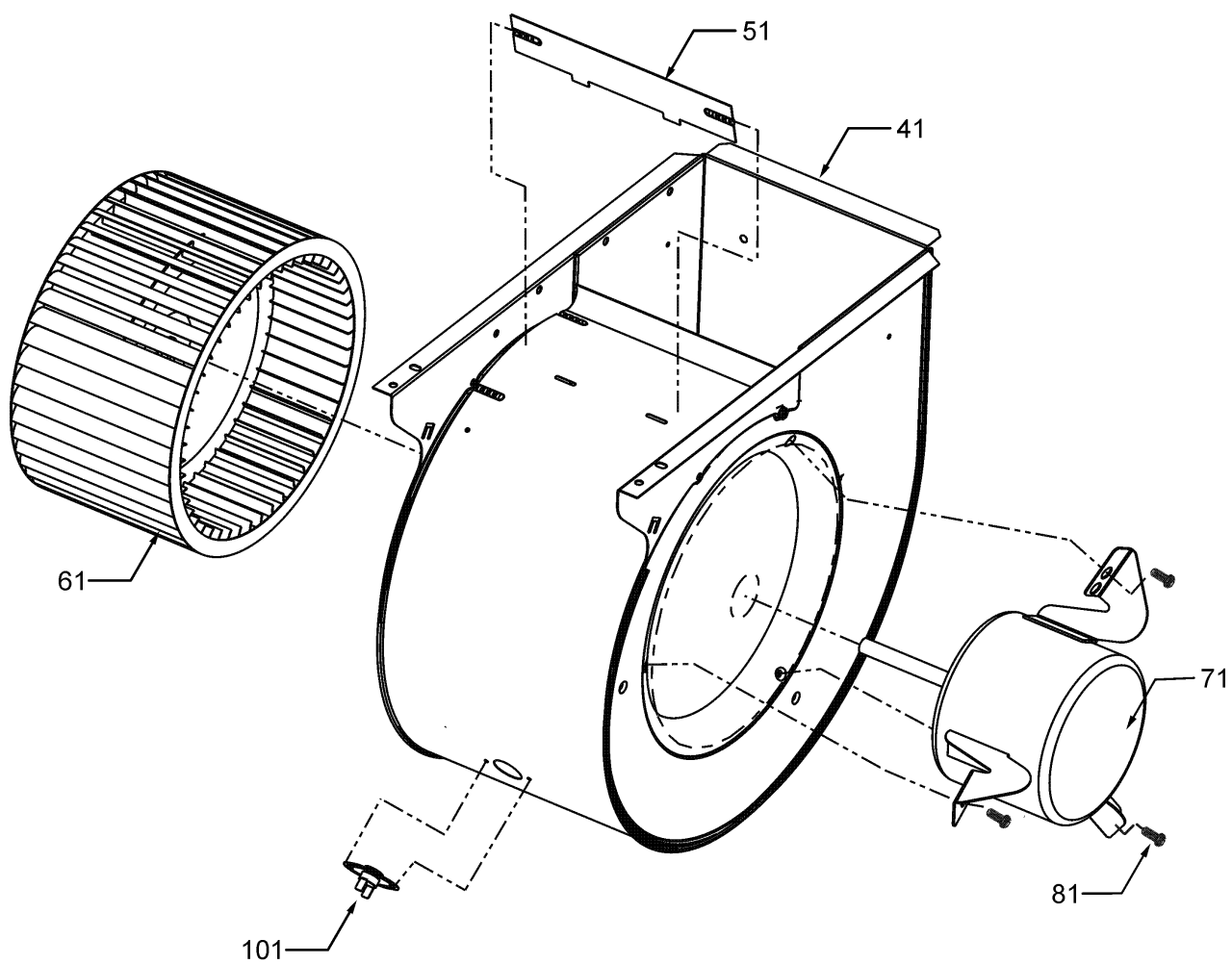
Image 1:

11	0121F00122NG	DOOR BLOWER, 14" PAINTED (M1, M2)
11	0121F00123NG	DOOR BLOWER, 17.5" PAINTED (M3, M4)
11	0121F00124NG	DOOR BLOWER, 21" PAINTED (M5, M6)
21	B1392139	VIEW PORT BUSHING-BLOWER DOOR
31	0121F00118NG	DOOR CTRL ACCESS, 14" PAINTED (M1, M2)
31	0121F00119NG	DOOR CTRL ACCESS, 17.5" (M3, M4)
31	0121F00120NG	DOOR CTRL ACCESS, 21" PAINTED (M5, M6)
41	B1370179	PRESSURE SWITCH (M2, M3, M5)
41	B1370158	PRESSURE SWITCH -0.70" WC (M1, M4, M6)
51	B1392147	UNIVERSAL BUSHING WITH SLICE
71	4014502	J-BOX
81	4015502	J-BOX COVER
111	10690402	INTERLOCK SWITCH
171	0121F00141DG	TOP 14" (M1, M2)
171	0121F00142DG	TOP 17.5" (M3, M4)
171	0121F00143DG	TOP 21" (M5, M6)
321	4023500	CHIMNEY TRANSITION TOP

Expanded Model Nomenclature

- | |
|---------------------|
| M1 - DM80SS0403AXAD |
| M2 - DM80SS0603AXAD |
| M3 - DM80SS0604BXAD |
| M4 - DM80SS0804BXAD |
| M5 - DM80SS0805CXAD |
| M6 - DM80SS1005CXAD |

Blower Assy



Blower Assy

**Ref. Part
No: No:**

Description:

**Ref. Part
No: No:**

Description:

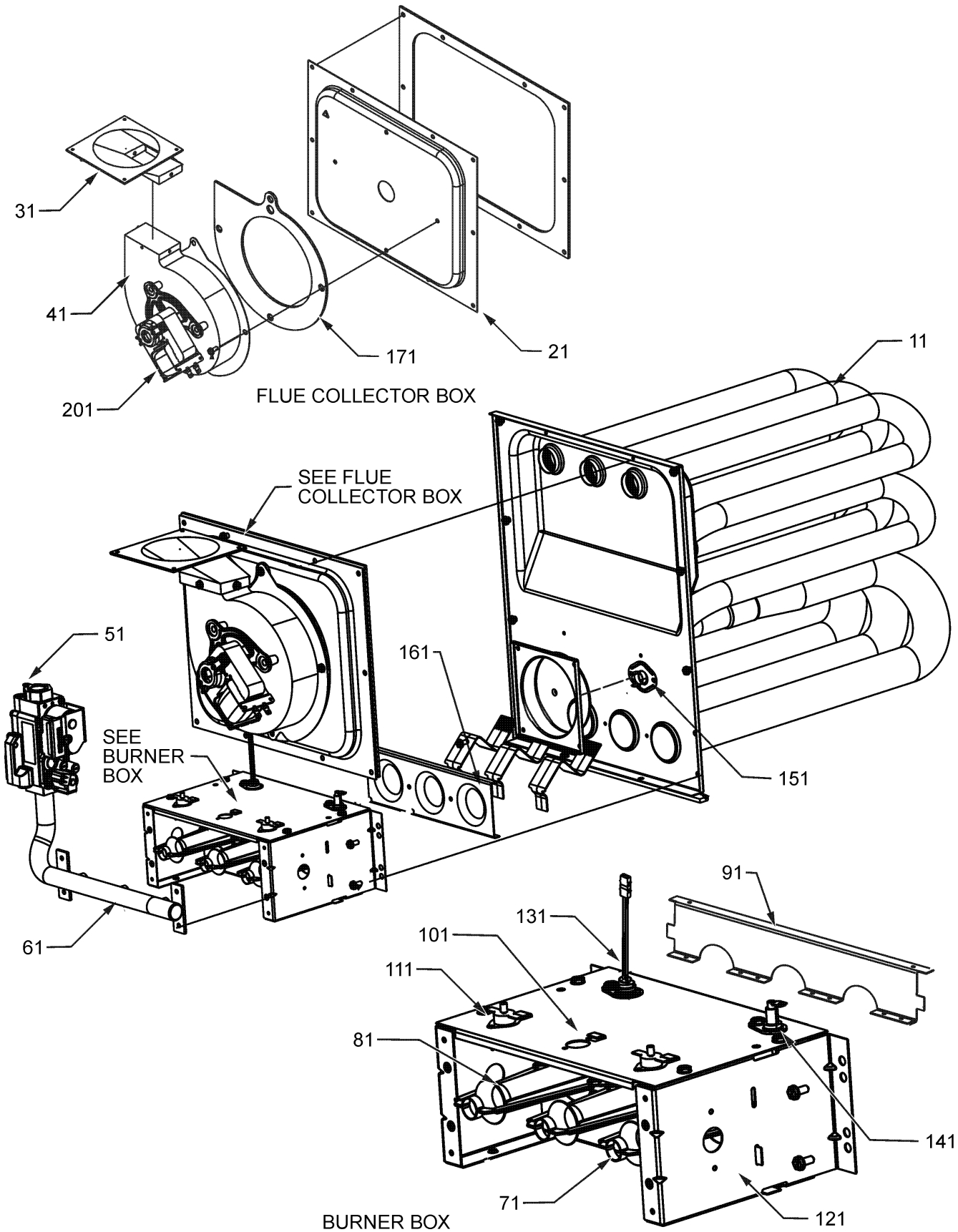
Image 1:

11	PCBBF134	PCB, IGNITION, HSI, INTEG
21	0130M00140	TRANSFORMER 120V TO 24V, 40VA
31	CAP200000370CP	CAP, 20 MFD/370V/ RD
41	2539307	BLOWER HOUSING 10 X 10 (M5, M6)
41	2539305	BLOWER HOUSING 10 X 6 (M1, M2)
41	2539306	BLOWER HOUSING 10 X 8 (M3, M4)
51	764741	BLOWER BLOCK-OFF 10 X 10 (M5, M6)
51	764740	BLOWER BLOCK-OFF 10 X 8 (M3, M4)
51	764739	BLOWER CUT-OFF 10 X 6 (M1, M2)
61	B1368034	BLOWER WHEEL 10 X 6 (M1, M2)
61	0150M00042	WHEEL, BLOWER (10 X 10) (M5, M6)
61	0150M00043	WHEEL, BLOWER (10 X 8) (M3, M4)
71	0131F00042	MOTOR, 1/2HP, 4SP, 6PL (M3, M4)
71	0131F00043	MOTOR, 1/2HP, 4SP, 6PL (M5, M6)
71	0131F00041	MOTOR, 1/3HP, 4SP, 6PL (M1, M2)
81	M0250558	TC SCREW (QTY 3)
91	1815817	CONTROL MOUNT PANEL
101	0130F00038	PRIMARY LIMIT - LT BLUE 120° (AUX)

Expanded Model Nomenclature

M1 - DM80SS0403AXAD
M2 - DM80SS0603AXAD
M3 - DM80SS0604BXAD
M4 - DM80SS0804BXAD
M5 - DM80SS0805CXAD
M6 - DM80SS1005CXAD

Heat Exchanger Assy



Heat Exchanger Assy

Ref. Part No: No:	Description:	Ref. Part No: No:	Description:
Image 1:			
11	0270F00931		HEAT EXCHANGER ASSY (M1)
11	0270F00932		HEAT EXCHANGER ASSY (M2)
11	0270F00933		HEAT EXCHANGER ASSY (M3)
11	0270F00934		HEAT EXCHANGER ASSY (M4)
11	0270F00935		HEAT EXCHANGER ASSY (M5)
11	0270F00936		HEAT EXCHANGER ASSY (M6)
21	0121F00333		21" COLLECTOR BOX 1.75" DIA (M5, M6)
21	0121F00126		FLUE COLLECTOR BOX KIT 14" 1.25 DIA (M1)
21	0121F00198		FLUE COLLECTOR BOX KIT 14" 1.75 DIA (M2)
21	0121F00128		FLUE COLLECTOR BOX KIT 17.5" 1.75 DIA (M3, M4)
31	0128F00006		CHIMNEY TRANSITION BOTTOM
41	0131M00002P		MOTOR, VENT 80+
51	0151M00037		GAS VALVE
61	0120F00006		MANIFOLD (M1)
61	0120F00007		MANIFOLD (M2, M3)
61	0120F00008		MANIFOLD (M4, M5)
61	0120F00009		MANIFOLD (M6)
71	10716005		ORIFICE (QTY 2)
81	B4022700		INSHOT BURNER ASSY 3" (QTY 2)
91	0121F00167		BURNER BRACKET 2B (M1)
91	0121F00168		BURNER BRACKET 3B (M2, M3)
91	0121F00169		BURNER BRACKET 4B (M4, M5)
91	0121F00170		BURNER BRACKET 5B (M6)
101	0121F00162		BURNER BOX TOP 2 CELL (M1)
101	0121F00163		BURNER BOX TOP 3 CELL (M2, M3)
101	0121F00164		BURNER BOX TOP 4 CELL (M4, M5)
101	0121F00165		BURNER BOX TOP 5 CELL (M6)
111	10123529		MANUAL RESET R.O.S. LIMIT (QTY 2)
121	0121F00146		BURNER BOX SIDE (QTY 2)
131	0130F00008		SINI IGNITOR
141	0130F00010		FLAME SENSOR
151	20162904		*PRIMARY LIMIT-TEMPERATURE CONTROL (M2, M3, M4, M6) *Refer to service bulletin SF-054
151	20162901		PRESSURE LIMIT-RED (M1)
151	20162903		PRIMARY LIMIT - BLUE (M5)
161	4028000		ORIFICE SHIELD 2 CELL (M1)
161	4028001		ORIFICE SHIELD 3 CELL (M2, M3)
161	4028002		ORIFICE SHIELD 4 CELL (M4, M5)
161	4028003		ORIFICE SHIELD 5 CELL (M6)
171	0154F00003		VENT MOTOR GASKET 14" (M1, M2)
171	0154F00004		VENT MOTOR GASKET 17.5" (M3, M4)
171	0154F00005		VENT MOTOR GASKET 21" (M5, M6)
201	DY6.186.070		VENT MOTOR CAPACITOR
NS	0259F00054		12-PIN WIRE HARNESS ASSY
NS	0159F00060		WIRE HARNESS ASSY. , IGNITOR
NS	0259F00078		WIRE KIT ASSY.

Expanded Model Nomenclature

M1 - DM80SS0403AXAD
M2 - DM80SS0603AXAD
M3 - DM80SS0604BXAD
M4 - DM80SS0804BXAD
M5 - DM80SS0805CXAD
M6 - DM80SS1005CXAD