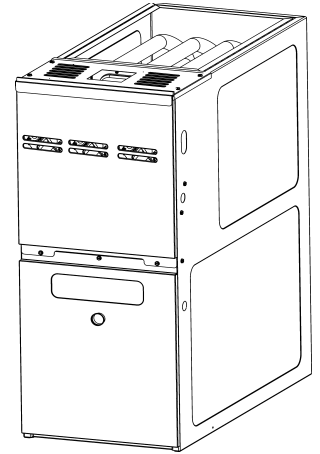


## DM80SE 80% Ultra Low Nox High Efficient Furnace

DM80SE0403AUAA  
DM80SE0603AUAA  
DM80SE0604BUAA  
DM80SE0804BUAA  
DM80SE0805CUAA



This manual is to be used by qualified technicians only.

This manual replaces RP-D2314

# Important Information

---

## Index

|                              |       |
|------------------------------|-------|
| Functional Parts List .....  | 3     |
| Illustration and Parts ..... | 4 - 9 |

*Views shown are for parts illustrations only, not servicing procedures*

### Text Codes:

AR - As Required

NA - Not Available

NS - Not Shown

00000000 - See Note

QTY - Quantity Example (QTY 3) (If Quantity not shown, Quantity = 1)

M - Model Example (M1) (If M Code not shown, then part is used on all Models)

### Expanded Model Nomenclature:

|   |
|---|
| Example<br>M1 - Model#1<br>M2 - Model#2<br>M3 - Model#3 |
|---|

Daikin Manufacturing Company, L.P. is not responsible for personal injury or property damage resulting from improper service. Review all service information before beginning repairs.

Warranty service must be performed by an authorized technician, using authorized factory parts. If service is required after the warranty expires, Daikin Manufacturing Company, L.P. also recommends contacting an authorized technician and using authorized factory parts.

Daikin Manufacturing Company, L.P. reserves the right to discontinue, or change at any time, specifications or designs without notice or without incurring obligations.

For assistance within the U.S.A. contact:

Homeowner Support  
Daikin North America, LLC  
19001 Kermier Road  
Waller, Texas 77484  
855-770-5678-Telephone  
713-863-2382-Facsimile

For assistance outside the U.S.A. contact:

International Division  
Daikin North America, LLC  
19001 Kermier Road  
Waller, Texas 77484  
713-861-2500-Telephone  
713-863-2382-Facsimile

# Functional Parts

## Part

## No: Description:

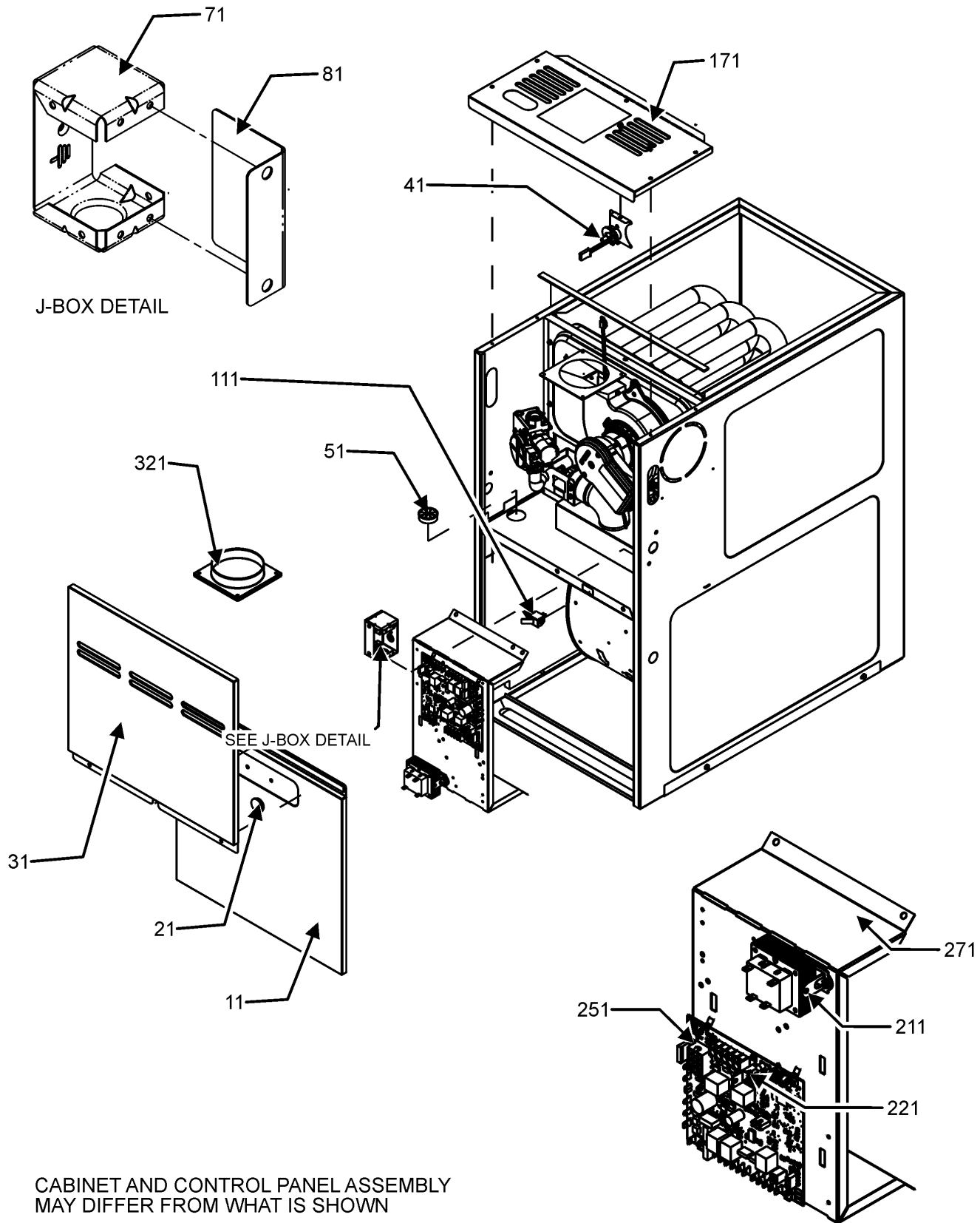
---

|            |                                 |
|------------|---------------------------------|
| 0130F00037 | AUX LIMIT - GRAY 150°           |
| B1368034   | BLOWER WHEEL 10 X 6 (M1, M2)    |
| 0163F00023 | BURNER, BECKETT 2B (M1)         |
| 0163F00024 | BURNER, BECKETT 3B (M2, M3)     |
| 0163F00025 | BURNER, BECKETT 4B (M4, M5)     |
| PCBBF161   | CONTORL BOARD                   |
| 0130F00762 | FLAME SENSOR                    |
| 0151M00094 | GAS VALVE, ULN                  |
| 0130F00765 | ID PLUG (M2)                    |
| 0130F00766 | ID PLUG (M3)                    |
| 0130F00767 | ID PLUG (M4)                    |
| 0130F00768 | ID PLUG (M5)                    |
| 0130F00773 | ID PLUG, ULN 80 (M1)            |
| 10690402   | INTERLOCK SWITCH                |
| 20162901   | LIMIT-RED (M1, M2, M3)          |
| 0130F00067 | LIMIT-RED (M4)                  |
| 20162906   | LIMIT-WHITE (M5)                |
| 0131M00921 | MOTOR, VENT ULN80               |
| 0130F00713 | PRESSURE SW TRANSDUCER          |
| 0131F00168 | PROGRAMMED MOTOR (M2)           |
| 0131F00169 | PROGRAMMED MOTOR (M3)           |
| 0131F00170 | PROGRAMMED MOTOR (M4)           |
| 0131F00171 | PROGRAMMED MOTOR (M5)           |
| 0131F00167 | PROGRAMMED MOTOR (M1)           |
| 0130F00769 | SWITCH, HIGH LIMIT ULN (M3)     |
| 0130F00770 | SWITCH, HIGH LIMIT ULN (M1)     |
| 0130F00771 | SWITCH, HIGH LIMIT ULN (M2, M4) |
| 0130F00772 | SWITCH, HIGH LIMIT ULN (M5)     |
| 0130M00140 | TRANSFORMER,(120V TO 24V,40VA,  |
| 0130F00717 | ULN IGNITOR                     |
| 0150M00042 | WHEEL, BLOWER (10 X 10) (M5)    |
| 0150M00043 | WHEEL, BLOWER (10 X 8) (M3, M4) |

### Expanded Model Nomenclature

|                     |
|---------------------|
| M1 - DM80SE0403AUAA |
| M2 - DM80SE0603AUAA |
| M3 - DM80SE0604BUAA |
| M4 - DM80SE0804BUAA |
| M5 - DM80SE0805CUAA |

# Cabinet Assembly



CABINET AND CONTROL PANEL ASSEMBLY  
MAY DIFFER FROM WHAT IS SHOWN

CONTROL PANEL ASSEMBLY

# Cabinet Assembly

| Ref. Part No: | Part No: | Description: | Ref. Part No: | Part No: | Description: |
|---------------|----------|--------------|---------------|----------|--------------|
|---------------|----------|--------------|---------------|----------|--------------|

**Image 1:**

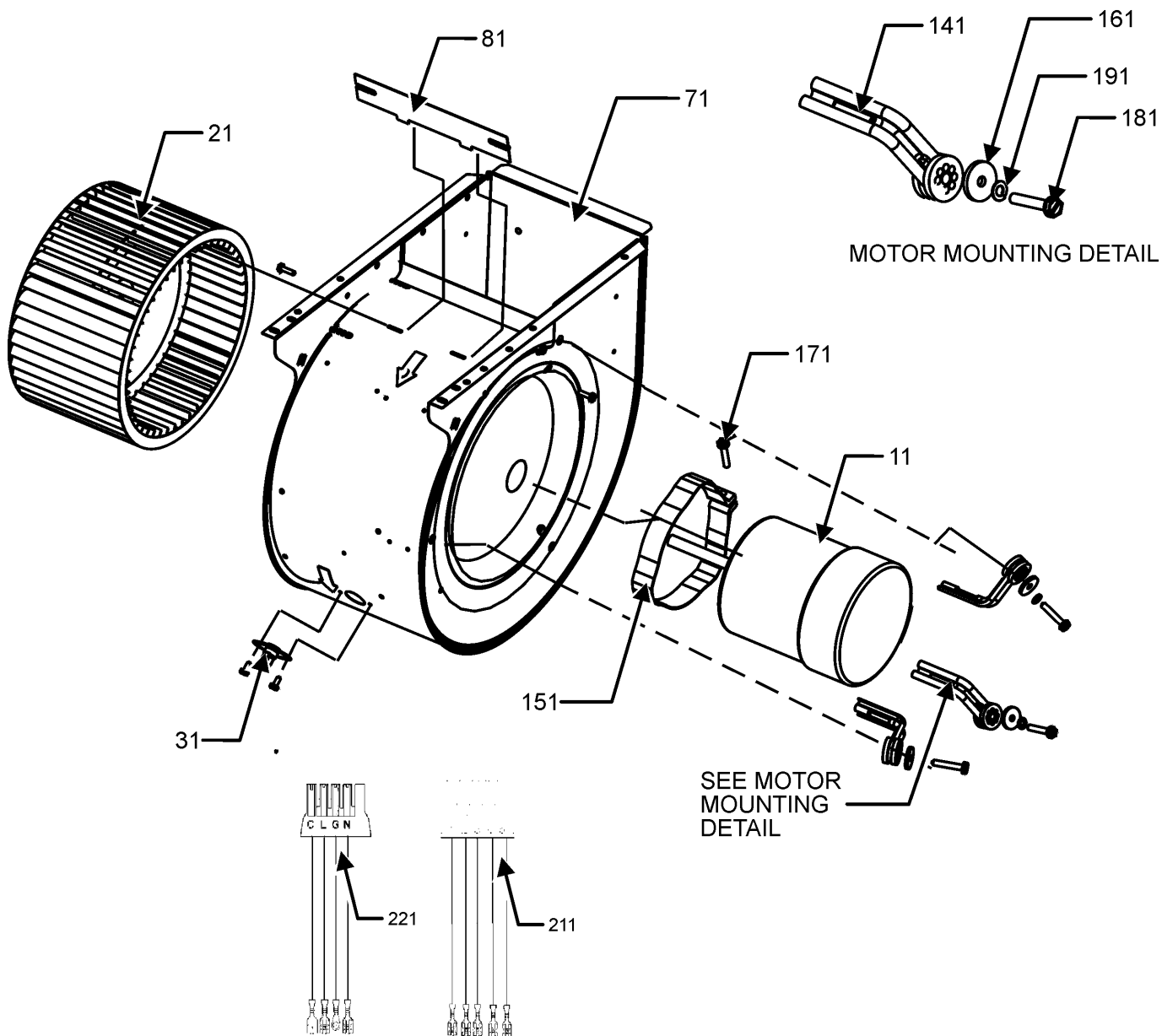
|     |              |  |
|-----|--------------|--|
| 11  | 0121F00122NG | DOOR, BLOWER, 14"-PAINTED (M1, M2)       |
| 11  | 0121F00123NG | DOOR, BLOWER, 17.5"-PAINTED (M3, M4)     |
| 11  | 0121F00124NG | DOOR, BLOWER, 21"-PAINTED (M5)           |
| 21  | B1392139     | VIEW PORT BUSHING-BLOWER DOOR            |
| 31  | 0121F00118NG | DOOR CTRL ACCESS, 14"-PAINTED (M1, M2)   |
| 31  | 0121F00120NG | DOOR CTRL ACCESS, 21"-PAINTED (M5)       |
| 31  | 0121F00119NG | DOOR CTRL ACCESS, 17.5"-PAINTED (M3, M4) |
| 41  | 0130F00713   | PRESSURE SW TRANSDUCER                   |
| 51  | B1392147     | UNIVERSAL BUSHING WITH SLICE             |
| 71  | 4014502      | J-BOX                                    |
| 81  | 4015502      | COVER, J-BOX                             |
| 111 | 10690402     | INTERLOCK SWITCH                         |
| 171 | 0121F00141DG | TOP, FURNACE 14"-PAINTED (M1, M2)        |
| 171 | 0121F00142DG | TOP, FURNACE 17.5"-PAINTED (M3, M4)      |
| 171 | 0121F00143DG | TOP, FURNACE 21"-PAINTED (M5)            |
| 211 | 0130M00140   | TRANSFORMER, (120V TO 24V, 40VA,         |
| 221 | 0130F00765   | ID PLUG (M2)                             |
| 221 | 0130F00766   | ID PLUG (M3)                             |
| 221 | 0130F00767   | ID PLUG (M4)                             |
| 221 | 0130F00768   | ID PLUG (M5)                             |
| 221 | 0130F00773   | ID PLUG, ULN 80 (M1)                     |
| 251 | PCBBF161     | CONTROL BOARD                            |
| 271 | 0121F00464   | MOUNTING PLATE-CONTROLS                  |
| 321 | 4023500      | CHIMNEY TRANSITION TOP                   |

**Expanded Model Nomenclature**

|                     |
|---------------------|
| M1 - DM80SE0403AUAA |
| M2 - DM80SE0603AUAA |
| M3 - DM80SE0604BUAA |
| M4 - DM80SE0804BUAA |
| M5 - DM80SE0805CUAA |

# Blower Assembly

## BLOWER ASSEMBLY



# Blower Assembly

| Ref. Part No: | Ref. Part No: | Description: | Description: |
|---------------|---------------|--------------|--------------|
|---------------|---------------|--------------|--------------|

**Image 1:**

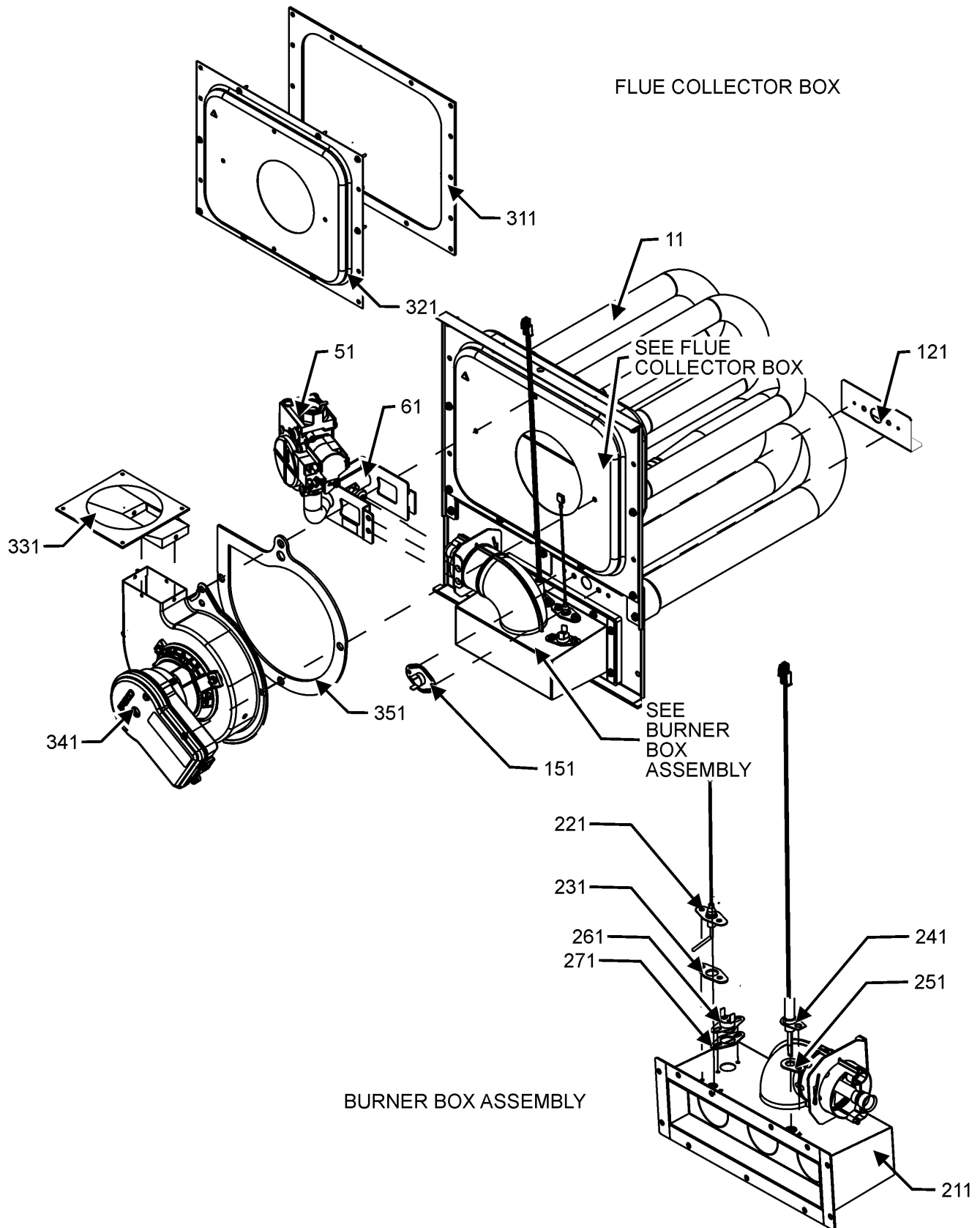
|     |            |                                       |
|-----|------------|---------------------------------------|
| 11  | 0131F00167 | PROGRAMMED MOTOR (M1)                 |
| 11  | 0131F00168 | PROGRAMMED MOTOR (M2)                 |
| 11  | 0131F00169 | PROGRAMMED MOTOR (M3)                 |
| 11  | 0131F00170 | PROGRAMMED MOTOR (M4)                 |
| 11  | 0131F00171 | PROGRAMMED MOTOR (M5)                 |
| 21  | B1368034   | BLOWER WHEEL 10 X 6 (M1, M2)          |
| 21  | 0150M00042 | WHEEL, BLOWER (10 X 10) (M5)          |
| 21  | 0150M00043 | WHEEL, BLOWER (10 X 8) (M3, M4)       |
| 31  | 0130F00037 | AUX LIMIT - GRAY 150°                 |
| 71  | 2539307    | BLOWER HOUSING 10 X 10 (M5)           |
| 71  | 2539305    | BLOWER HOUSING 10 X 6 (M1, M2)        |
| 71  | 2539306    | BLOWER HOUSING 10 X 8 (M3, M4)        |
| 81  | 764741     | BLOWER BLOCK-OFF 10 X 10 (M5)         |
| 81  | 764740     | BLOWER BLOCK-OFF 10 X 8 (M3, M4)      |
| 81  | 764739     | BLOWER CUT-OFF 10 X 6 (M1, M2)        |
| 141 | B1376863   | MOUNT ARM, MOTOR (HEAVY DUTY) (QTY 3) |
| 151 | 0121M00039 | MOUNT BAND, MOTOR (HEAVY DUTY)        |
| 161 | B1392918   | WASHER FLAT 1/4 ID X 1OD (QTY 3)      |
| 171 | 0163M00320 | HEX HEAD ALL THREAD TAP BOLT          |
| 181 | M0250565   | SCREW-TC 1.25" (QTY 3)                |
| 191 | B1393800   | LOCKNUT NYLON INSERT 1/4,20           |
| 211 | 0159F00078 | WIRING HARNESS                        |
| 221 | 0159F00035 | WIRING HARNESS                        |

**Expanded Model Nomenclature**

|                     |
|---------------------|
| M1 - DM80SE0403AUAA |
| M2 - DM80SE0603AUAA |
| M3 - DM80SE0604BUAA |
| M4 - DM80SE0804BUAA |
| M5 - DM80SE0805CUAA |

# Heat Exchange Assembly

## HEAT EXCHANGE ASSEMBLY



# Heat Exchange Assembly

| Ref. Part No:   | Ref. Part No: | Description:                    | Description: |
|-----------------|---------------|---------------------------------|--------------|
| <b>Image 1:</b> |               |                                 |              |
| 11              | 0270F03775    | ASSY, EXCHANGER, HEAT (M5)      |              |
| 11              | 0270F03773    | ASSY., HEAT EXCHANGER (M3)      |              |
| 11              | 0270F03774    | ASSY., HEAT EXCHANGER (M1)      |              |
| 11              | 0270F04357    | ASSY., HEAT EXCHANGER (M2)      |              |
| 11              | 0270F04358    | ASSY., HEAT EXCHANGER (M4)      |              |
| 51              | 0151M00094    | GAS VALVE, ULN                  |              |
| 61              | 0263F00004    | ASSY., MANIFOLD (M1)            |              |
| 61              | 0263F00005    | ASSY., MANIFOLD (M2, M3)        |              |
| 61              | 0263F00006    | ASSY., MANIFOLD (M4, M5)        |              |
| 121             | 0121F00439    | HEAT SHIELD-PRIMARY LIMIT       |              |
| 151             | 0130F00067    | LIMIT-RED (M4)                  |              |
| 151             | 20162901      | LIMIT-RED (M1, M2, M3)          |              |
| 151             | 20162906      | LIMIT-WHITE (M5)                |              |
| 211             | 0163F00023    | BURNER, BECKETT 2B (M1)         |              |
| 211             | 0163F00024    | BURNER, BECKETT 3B (M2, M3)     |              |
| 211             | 0163F00025    | BURNER, BECKETT 4B (M4, M5)     |              |
| 221             | 0130F00762    | FLAME SENSOR                    |              |
| 231             | 0154F00068    | GASKET, ULN FLAME SENSOR        |              |
| 241             | 0130F00717    | ULN IGNITOR                     |              |
| 251             | 0154F00067    | GASKET, ULN IGNITOR             |              |
| 261             | 0130F00769    | SWITCH, HIGH LIMIT ULN (M3)     |              |
| 261             | 0130F00770    | SWITCH, HIGH LIMIT ULN (M1)     |              |
| 261             | 0130F00771    | SWITCH, HIGH LIMIT ULN (M2, M4) |              |
| 261             | 0130F00772    | SWITCH, HIGH LIMIT ULN (M5)     |              |
| 271             | 0154F00069    | GASKET, LIMIT ULN               |              |
| 311             | 0154F00048    | GASKET, 14 INCH (M1, M2)        |              |
| 311             | 0154F00049    | GASKET, 17.5 INCH (M3, M4)      |              |
| 311             | 0154F00050    | GASKET, 21 INCH (M5)            |              |
| 321             | 0121F00635    | COLLECTOR BOX 4.5 DIA (M1, M2)  |              |
| 321             | 0121F00636    | COLLECTOR BOX 4.5 DIA (M3, M4)  |              |
| 321             | 0121F00637    | COLLECTOR BOX 4.5 DIA (M5)      |              |
| 331             | 0128F00006    | TRANSITION, BOTTOM              |              |
| 341             | 0131M00921    | MOTOR, VENT ULN80               |              |
| 351             | 0154F00048    | GASKET, 14 INCH (M1, M2)        |              |
| 351             | 0154F00049    | GASKET, 17.5 INCH (M3, M4)      |              |
| 351             | 0154F00050    | GASKET, 21 INCH (M5)            |              |
| NS              | DY6.186.070   | VENT MOTOR CAPACITOR            |              |
| NS              | 0159F00097    | WIRE HARNESS                    |              |
| NS              | 0159F00035    | WIRING HARNESS                  |              |
| NS              | 0159F00078    | WIRING, HARNESS                 |              |

## Expanded Model Nomenclature

- |                     |
|---------------------|
| M1 - DM80SE0403AUAA |
| M2 - DM80SE0603AUAA |
| M3 - DM80SE0604BUAA |
| M4 - DM80SE0804BUAA |
| M5 - DM80SE0805CUAA |