

## DM80SE 80% High Efficient Furnace

DM80SE0403AXAA  
DM80SE0603AXAA  
DM80SE0604BXAA  
DM80SE0803BXAA  
DM80SE0804BXAA  
DM80SE0805CXAA  
DM80SE1005CXAA  
DM80SE1205DXAA



This manual is to be used by qualified technicians only.

# Important Information

---

## Index

Functional Parts List .....	3
Illustration and Parts .....	4 - 9

*Views shown are for parts illustrations only, not servicing procedures*

### Text Codes:

AR - As Required

NA - Not Available

NS - Not Shown

00000000 - See Note

QTY - Quantity Example (QTY 3) (If Quantity not shown, Quantity = 1)

M - Model Example (M1) (If M Code not shown, then part is used on all Models)

### Expanded Model Nomenclature:

Example M1 - Model#1 M2 - Model#2 M3 - Model#3
---

Daikin Manufacturing Company, L.P. is not responsible for personal injury or property damage resulting from improper service. Review all service information before beginning repairs.

Warranty service must be performed by an authorized technician, using authorized factory parts. If service is required after the warranty expires, Daikin Manufacturing Company, L.P. also recommends contacting an authorized technician and using authorized factory parts.

Daikin Manufacturing Company, L.P. reserves the right to discontinue, or change at any time, specifications or designs without notice or without incurring obligations.

For assistance within the U.S.A. contact:

Homeowner Support  
Daikin North America, LLC  
19001 Kermier Road  
Waller, Texas 77484  
855-770-5678-Telephone  
713-863-2382-Facsimile

For assistance outside the U.S.A. contact:

International Division  
Daikin North America, LLC  
19001 Kermier Road  
Waller, Texas 77484  
713-861-2500-Telephone  
713-863-2382-Facsimile

# Functional Parts

**Part**

**No: Description:**

---

20162904 \*PRIMARY LIMIT-TEMPERATURE CONTROL  
(M2, M3, M4, M5, M7)  
\*Refer to service bulletin SF-054

PCBBF145 CIRCUIT BOARD

0130F00010 FLAME SENSOR

0151M00037 GAS VALVE

10690402 INTERLOCK SWITCH

20162903 LIMIT (M6, M8)

20162901 LIMIT (M1)

0130F00038 LIMIT, PRIMARY 120 LT BLUE

10123529 MANUAL RESET R.O.S. LIMIT (QTY 2)

0131F00129 MOTOR, PROGRAM-X13 (M8)

0131F00123 MOTOR, PROGRAM-X13 (M3)

0131F00120 MOTOR, PROGRAM-X13 (M1)

0131F00121 MOTOR, PROGRAM-X13 (M2)

0131F00124 MOTOR, PROGRAM-X13 (M4)

0131F00125 MOTOR, PROGRAM-X13 (M5)

0131F00128 MOTOR, PROGRAM-X13 (M7)

0131F00127 MOTOR, PROGRAM-X13 (M6)

0131M00002P MOTOR, VENT 80+

0130F00008 SINI IGNITOR

0130F00505 SWITCH, PRESSURE (M1, M4, M5, M7)

0130F00507 SWITCH, PRESSURE (M8)

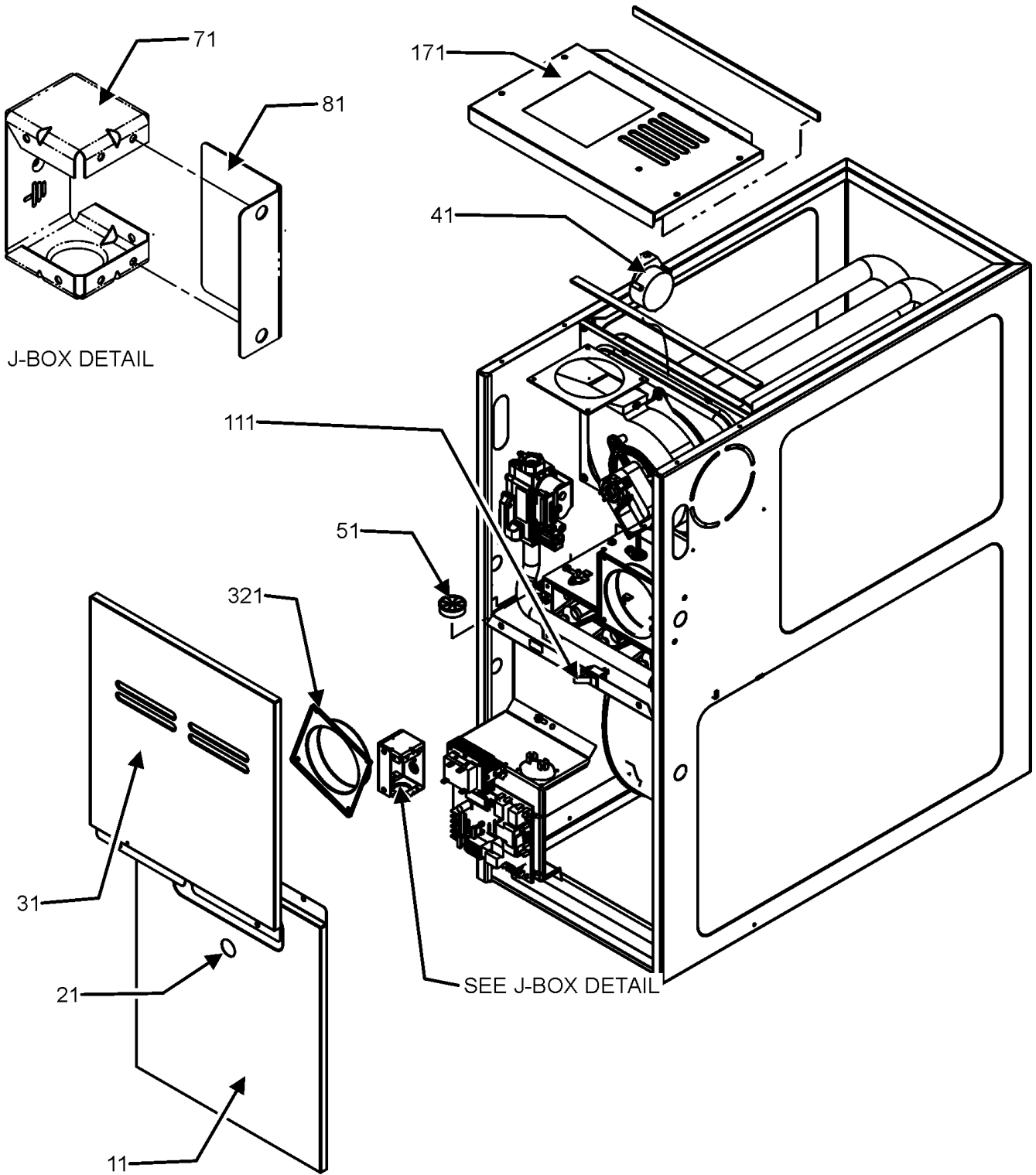
0130F00506 SWITCH, PRESSURE (M2, M3, M6)

0130M00140 TRANSFORMER,(120V TO 24V,40VA,

**Expanded Model Nomenclature**

M1 - DM80SE0403AXAA
M2 - DM80SE0603AXAA
M3 - DM80SE0604BXAA
M4 - DM80SE0803BXAA
M5 - DM80SE0804BXAA
M6 - DM80SE0805CXAA
M7 - DM80SE1005CXAA
M8 - DM80SE1205DXAA

# Wrapper Assembly



CABINET ASSEMBLY MAY DIFFER FROM WHAT IS SHOWN

# Wrapper Assembly

Ref. Part No:	No:	Description:	Ref. Part No:	No:	Description:
---------------	-----	--------------	---------------	-----	--------------

---

## Image 1:

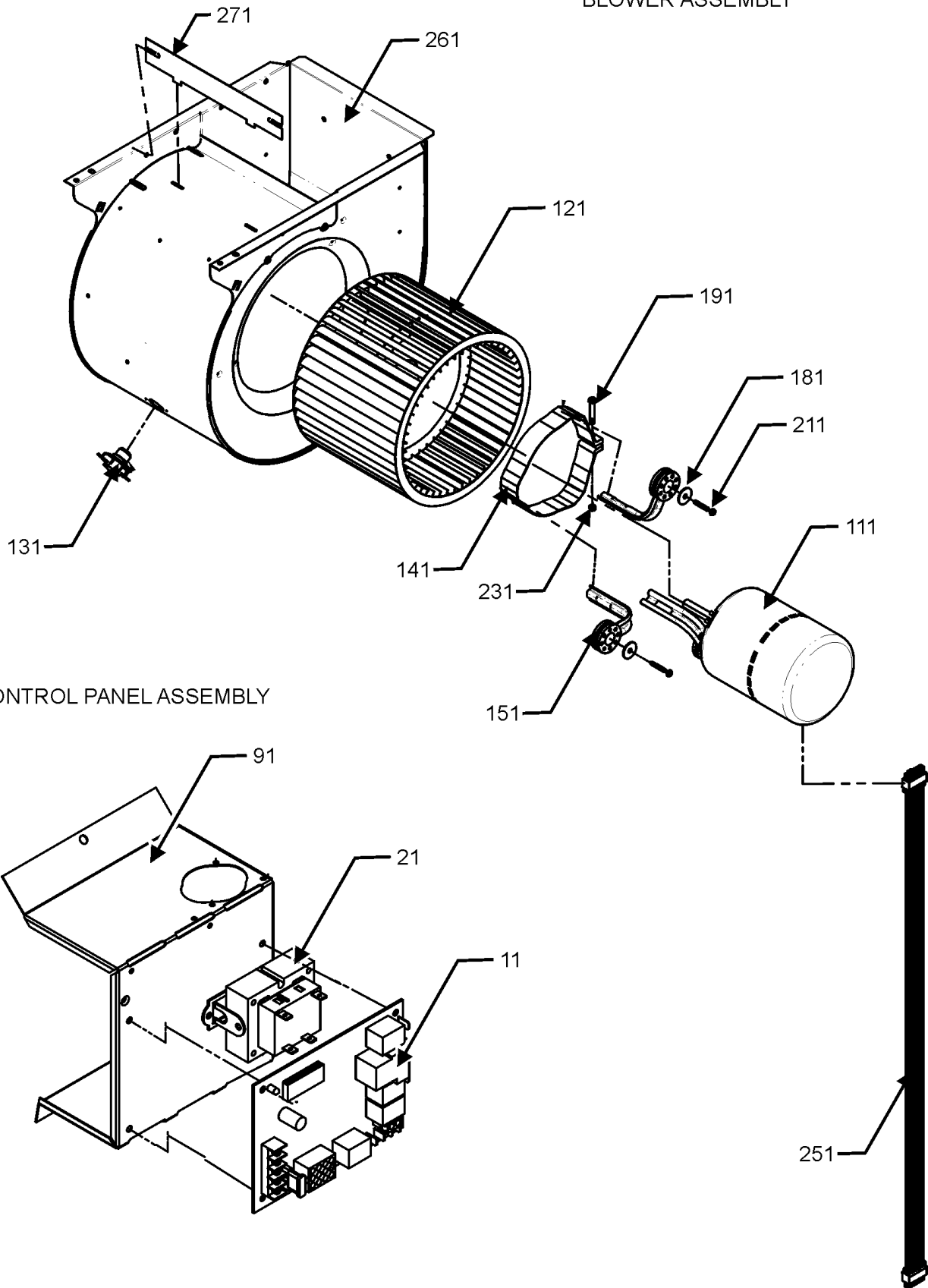
11	0121F00122NG	DOOR BLOWER, 14" PAINTED (M1, M2)
11	0121F00123NG	DOOR BLOWER, 17.5" PAINTED (M3, M4, M5)
11	0121F00124NG	DOOR BLOWER, 21" PAINTED (M6, M7)
11	0121F00125NG	DOOR BLOWER, 24.5" PAINTED (M8)
21	B1392139	VIEW PORT BUSHING-BLOWER DOOR
31	0121F00118NG	DOOR CTRL AC CESS, 14" PAINTED (M1, M2)
31	0121F00119NG	DOOR CTRL AC CESS, 17.5" (M3, M4, M5)
31	0121F00120NG	DOOR CTRL AC CESS, 21" PAINTED (M6, M7)
31	0121F00121NG	DOOR CTRL AC CESS, 24.5 PAINTED (M8)
41	0130F00505	SWITCH, PRESSURE (M1, M4, M5, M7)
41	0130F00506	SWITCH, PRESSURE (M2, M3, M6)
41	0130F00507	SWITCH, PRESSURE (M8)
51	B1392147	UNIVERSAL BUSHING WITH SLICE
71	4014502	J-BOX
81	4015502	COVER, J-BOX
111	10690402	INTERLOCK SWITCH
171	0121F00141DG	TOP, FURNACE 14"-PAINTED (M1, M2)
171	0121F00142DG	TOP, FURNACE 17.5"-PAINTED (M3, M4, M5)
171	0121F00143DG	TOP, FURNACE 21"-PAINTED (M6, M7)
171	0121F00463DG	TOP, FURNACE 24.5" PAINTED (M8)
321	4023500	CHIMNEY TRANSITION TOP

## Expanded Model Nomenclature

M1 - DM80SE0403AXAA
M2 - DM80SE0603AXAA
M3 - DM80SE0604BXAA
M4 - DM80SE0803BXAA
M5 - DM80SE0804BXAA
M6 - DM80SE0805CXAA
M7 - DM80SE1005CXAA
M8 - DM80SE1205DXAA

# Blower and Control Panel Assembly

## BLOWER ASSEMBLY



# Blower and Control Panel Assembly

Ref. Part No: No:	Description:	Ref. Part No: No:	Description:
-------------------	--------------	-------------------	--------------

**Image 1:**

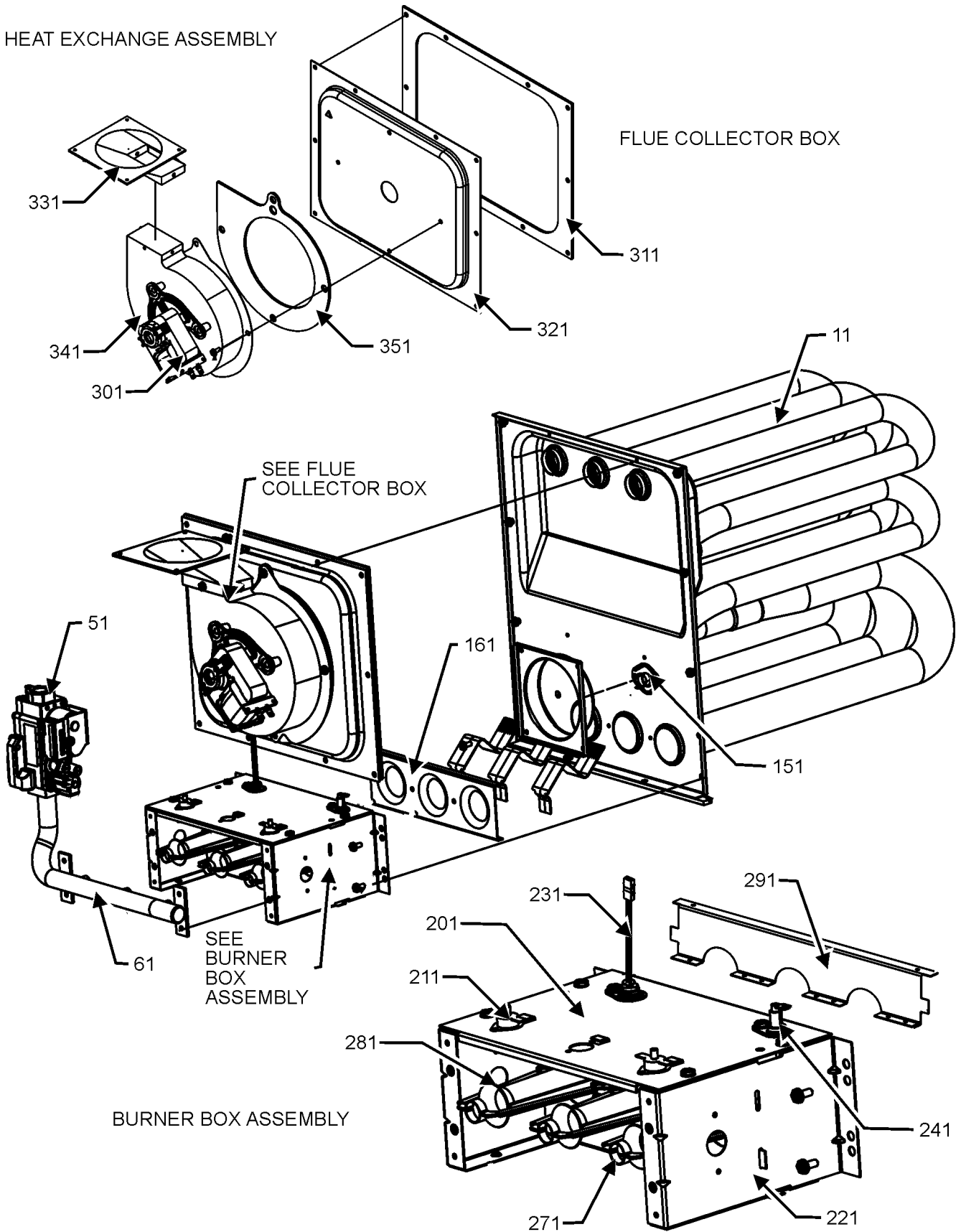
11	PCBBF145	CIRCUIT BOARD
21	0130M00140	TRANSFORMER,(120V TO 24V,40VA,
91	1815817	CNTRL MT PNL
121	B1368034	BLOWER WHEEL (10 X 6) (M1, M2)
121	B1368000	BLOWER WHEEL (11 X 10) (M8)
121	0150M00042	WHEEL, BLOWER (10 X 10) (M6, M7)
121	0150M00043	WHEEL, BLOWER (10 X 8) (M3, M4, M5)
131	0130F00038	LIMIT, PRIMARY 120 LT BLUE
141	0121M00039	MOUNT BAND, MOTOR (HEAVY DUTY)
151	B1376863	MOTOR MOUNT ARM (HEAVY DUTY) (QTY 3)
181	B1392918	WASHER, FLAT 1/4 ID X 1 OD (QTY 3)
191	0163M00320	HEX HEAD ALL THREAD TAP BOLT
211	M0250565	SCREW-TC 1.25" (QTY 3)
231	B1393800	LOCKNUT, NYLON INSERT 1/4 20
251	0159F00076	WIRING HARNESS
261	2539307	BLWR SHL ASM 10X10 10X10 (M6, M7, M8)
261	2539305	BLWR SHL ASM 10X6 10X6 (M1, M2)
261	2539306	BLWR SHL ASM 10X8 10X8 (M3, M4, M5)
271	764741	BLWR BLK-OFF,10X10 (M6, M7, M8)
271	764739	BLWR BLK-OFF,10X6 (M1, M2)
271	764740	BLWR BLK-OFF,10X8 (M3, M4, M5)
111	0131F00120	MOTOR, PROGRAM-X13 (M1)
111	0131F00121	MOTOR, PROGRAM-X13 (M2)
111	0131F00123	MOTOR, PROGRAM-X13 (M3)
111	0131F00124	MOTOR, PROGRAM-X13 (M4)
111	0131F00125	MOTOR, PROGRAM-X13 (M5)
111	0131F00127	MOTOR, PROGRAM-X13 (M6)
111	0131F00128	MOTOR, PROGRAM-X13 (M7)
111	0131F00129	MOTOR, PROGRAM-X13 (M8)

**Expanded Model Nomenclature**

M1 - DM80SE0403AXAA
M2 - DM80SE0603AXAA
M3 - DM80SE0604BXAA
M4 - DM80SE0803BXAA
M5 - DM80SE0804BXAA
M6 - DM80SE0805CXAA
M7 - DM80SE1005CXAA
M8 - DM80SE1205DXAA

# Heat Exchange Assembly

HEAT EXCHANGE ASSEMBLY



# Heat Exchange Assembly

Ref. Part No:	Part No:	Description:	Ref. Part No:	Part No:	Description:								
<b>Image 1:</b>			<b>Image 1:</b>										
11	0270F00931	HEAT EXCHANGER ASSY (M1)	351	0154F00005	GASKET-21 INCH (M6, M7)								
11	0270F00932	HEAT EXCHANGER ASSY (M2)	351	0154F00006	GASKET-24.5 INCH (M8)								
11	0270F00933	HEAT EXCHANGER ASSY (M3)	NS	0259F00054	HARNESS, WIRE ASSY 12 PIN (80%)								
11	0270F00934	HEAT EXCHANGER ASSY (M4, M5)	NS	0159F00099	WIRE HARNESS ASSY, IGNITOR								
11	0270F00935	HEAT EXCHANGER ASSY (M6)	NS	0259F00078	WIRE KIT ASSY.								
11	0270F00936	HEAT EXCHANGER ASSY (M7)	NS	0159F00076	WIRING HARNESS								
11	0270F00937	HEAT EXCHANGER ASSY (M8)	<b>Expanded Model Nomenclature</b>										
51	0151M00037	GAS VALVE	<table border="1"> <tr><td>M1 - DM80SE0403AXAA</td></tr> <tr><td>M2 - DM80SE0603AXAA</td></tr> <tr><td>M3 - DM80SE0604BXAA</td></tr> <tr><td>M4 - DM80SE0803BXAA</td></tr> <tr><td>M5 - DM80SE0804BXAA</td></tr> <tr><td>M6 - DM80SE0805CXAA</td></tr> <tr><td>M7 - DM80SE1005CXAA</td></tr> <tr><td>M8 - DM80SE1205DXAA</td></tr> </table>			M1 - DM80SE0403AXAA	M2 - DM80SE0603AXAA	M3 - DM80SE0604BXAA	M4 - DM80SE0803BXAA	M5 - DM80SE0804BXAA	M6 - DM80SE0805CXAA	M7 - DM80SE1005CXAA	M8 - DM80SE1205DXAA
M1 - DM80SE0403AXAA													
M2 - DM80SE0603AXAA													
M3 - DM80SE0604BXAA													
M4 - DM80SE0803BXAA													
M5 - DM80SE0804BXAA													
M6 - DM80SE0805CXAA													
M7 - DM80SE1005CXAA													
M8 - DM80SE1205DXAA													
61	0120F00006	MANIFOLD (M1)											
61	0120F00007	MANIFOLD (M2, M3)											
61	0120F00008	MANIFOLD (M4, M5, M6)											
61	0120F00009	MANIFOLD (M7)											
61	0120F00010	MANIFOLD (M8)											
151	20162904	*PRIMARY LIMIT-TEMPERATURE CONTROL (M2, M3, M4, M5, M7) *Refer to service bulletin SF-054											
151	20162901	LIMIT (M1)											
151	20162903	LIMIT (M6, M8)											
161	4028000	ORIFICE PLATE, 2CELL (M1)											
161	4028001	ORIFICE PLATE, 3CELL (M2, M3)											
161	4028002	ORIFICE PLATE, 4 CELL (M4, M5, M6)											
161	4028003	ORIFICE PLATE, 5CELL (M7)											
161	4028004	ORIFICE PLATE, 6CELL (M8)											
201	0121F00162	TOP, BURNER BOX 2 CELL (M1)											
201	0121F00163	TOP, BURNER BOX 3 CELL (M2, M3)											
201	0121F00164	TOP, BURNER BOX 4 CELL (M4, M5, M6)											
201	0121F00165	TOP, BURNER BOX 5 CELL (M7)											
201	0121F00166	TOP, BURNER BOX 6 CELL (M8)											
211	10123529	MANUAL RESET R.O.S. LIMIT (QTY 2)											
221	0121F00146	SIDE PLATE BURNER BOX (QTY 2)											
231	0130F00008	SINI IGNITOR											
241	0130F00010	FLAME SENSOR											
271	10716005	ORIFICE (QTY 2)											
281	B4022700	INSHOT BURNER ASSY 3" (QTY 2)											
291	0121F00167	BURNER RACK, 2 CELL (M1)											
291	0121F00168	BURNER RACK, 3 CELL (M2, M3)											
291	0121F00169	BURNER RACK, 4 CELL (M4, M5, M6)											
291	0121F00170	BURNER RACK, 5 CELL (M7)											
291	0121F00171	BURNER RACK, 6 CELL (M8)											
301	DY6.186.070	VENT MOTOR CAPACITOR											
311	0154F00003	GASKET-14 INCH (M1, M2)											
311	0154F00004	GASKET-17.5 INCH (M3, M4, M5)											
311	0154F00005	GASKET-21 INCH (M6, M7)											
311	0154F00006	GASKET-24.5 INCH (M8)											
321	0121F00333	21" COLLECTOR BOX 1.75" DIA (M6)											
321	0121F00330	24.5" COLLECTOR BOX 2.125" DIA (M8)											
321	0121F00217	COLLECTOR BOX (M7)											
321	0121F00126	COLLECTOR BOX 14" 1.375 DIA (M1)											
321	0121F00128	COLLECTOR BOX 17.5" 1.75 DIA (M3, M4, M5)											
321	0121F00198	COLLECTOR BOX, 14" 1.75 DIA (M2)											
331	0128F00006	CHIMNEY TRANSITION BOTTOM											
341	0131M00002P	MOTOR, VENT 80+											
351	0154F00003	GASKET-14 INCH (M1, M2)											
351	0154F00004	GASKET-17.5 INCH (M3, M4, M5)											