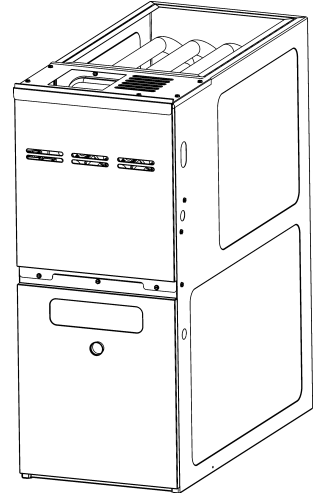


DM80SC 80% ULN Furnace

DM80SC0604BUAA
DM80SC0604BUAB
DM80SC0604BUAC
DM80SC0805CUAA
DM80SC0805CUAB
DM80SC0805CUAC



This manual is to be used by qualified technicians only.

This manual replaces RP-D2323C

Important Information

Index

Functional Parts List	3
Illustration and Parts	4 - 9

Views shown are for parts illustrations only, not servicing procedures.

Text Codes:

AR - As Required

NA - Not Available

NS - Not Shown

00000000 - See Note

QTY - Quantity Example (QTY 3) (If Quantity not shown, Quantity = 1)

M - Model Example (M1) (If M Code not shown, then part is used on all Models)

Expanded Model Nomenclature:

Example
M1 - Model#1
M2 - Model#2
M3 - Model#3

Daikin Comfort Technologies Manufacturing , L.P. is not responsible for personal injury or property damage resulting from improper service. Review all service information before beginning repairs.

Warranty service must be performed by an authorized technician, using authorized factory parts. If service is required after the warranty expires, Daikin Comfort Technologies Manufacturing , L.P. also recommends contacting an authorized technician and using authorized factory parts.

Daikin Comfort Technologies Manufacturing , L.P. reserves the right to discontinue, or change at any time, specifications or designs without notice or without incurring obligations.

For assistance within the U.S.A. contact:
Homeowner Support
Daikin Comfort Technologies Manufacturing , L.P.
19001 Kermier Road
Waller, Texas 77484
855-770-5678-Telephone
713-863-2382-Facsimile

For assistance outside the U.S.A. contact:
International Division
Daikin Comfort Technologies Manufacturing , L.P.
19001 Kermier Road
Waller, Texas 77484
713-861-2500-Telephone
713-863-2382-Facsimile

Functional Parts

Part

No: Description:

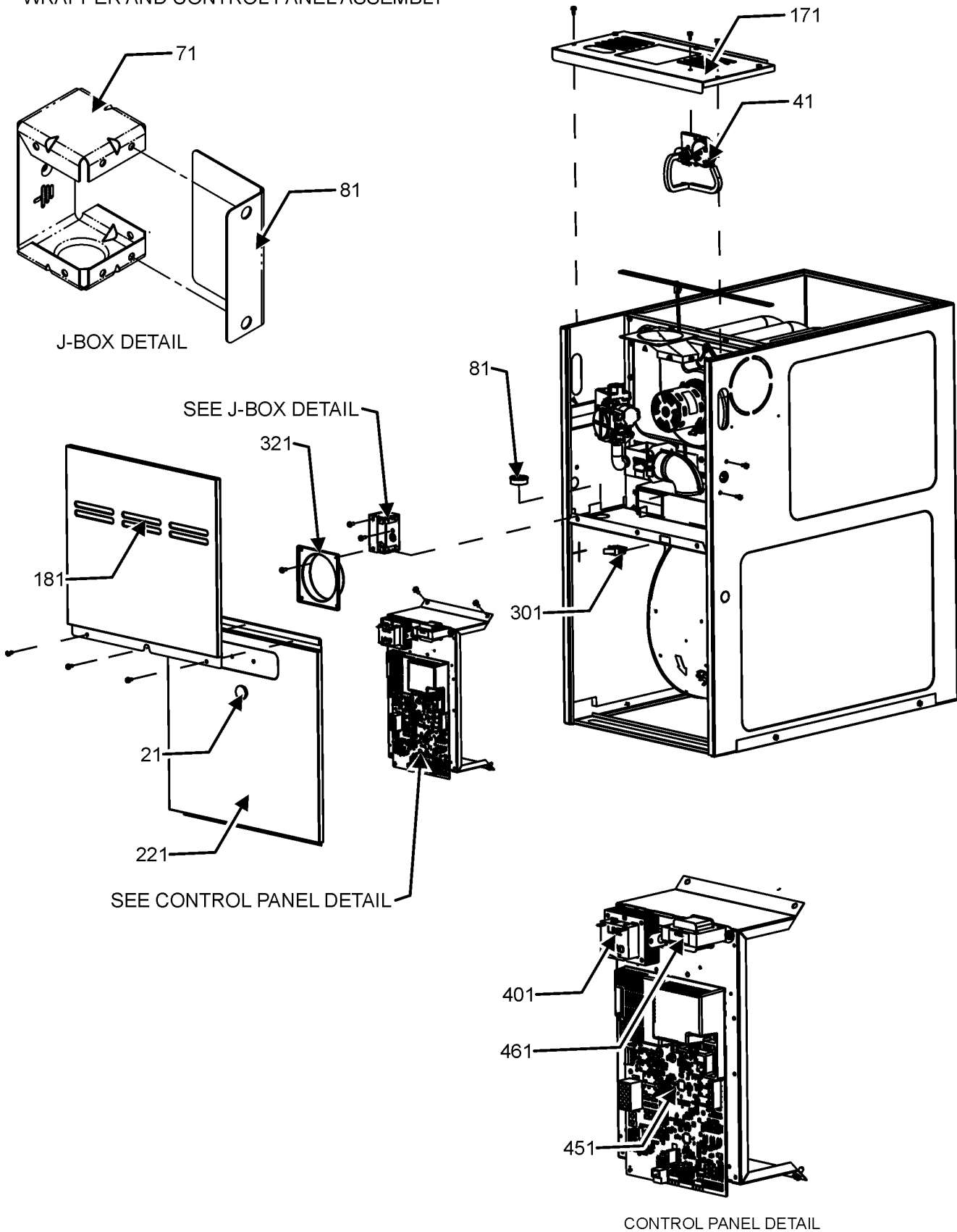
0130F00802	80% PRESSURE TRANSDUCER
SHARED DATA	Available thru CoolCloud HVAC app.
0130F00762	FLAME SENSOR
0151M00094	GAS VALVE, ULN
0130M00141	INDUCTOR 5.9 AMPS
10690402	INTERLOCK SWITCH
0130F00067	LIMIT, PRIMARY (M4, M5, M6)
20162901	LIMIT, PRIMARY (M1, M2, M3)
0130F00038	LIMIT, PRIMARY, 120, LT BLUE
0131M01003	MOTOR, 3/4 HP (M2, M3, M5, M6)
0131M00271	MOTOR, 3/4 HP, SERIAL ECM (M1, M4)
0171M00010	MOTOR, VENT ULN80
PCBKF301	PCB CONTROL BOARD
0130F00769	SWITCH, HIGH LIMIT ULN (M1, M2, M3)
0130F00772	SWITCH, HIGH LIMIT ULN (M4, M5, M6)
0130M00140	TRANSFORMER,(120V TO 24V,40VA,
0130F00955	ULN IGNITER
DY6.186.070	VENT MOTOR CAPACITOR
0159F00129	WIRING HARNESS (M3, M6)
0159F00113	WIRING HARNESS (M1, M2, M4, M5)

Expanded Model Nomenclature

M1 - DM80SC0604BUAA
M2 - DM80SC0604BUAB
M3 - DM80SC0604BUAC
M4 - DM80SC0805CUAA
M5 - DM80SC0805CUAB
M6 - DM80SC0805CUAC

Wrapper and Control Panel Assembly

WRAPPER AND CONTROL PANEL ASSEMBLY



Wrapper and Control Panel Assembly

Ref. Part No:	No:	Description:	Ref. Part No:	No:	Description:
---------------	-----	--------------	---------------	-----	--------------

Image 1:

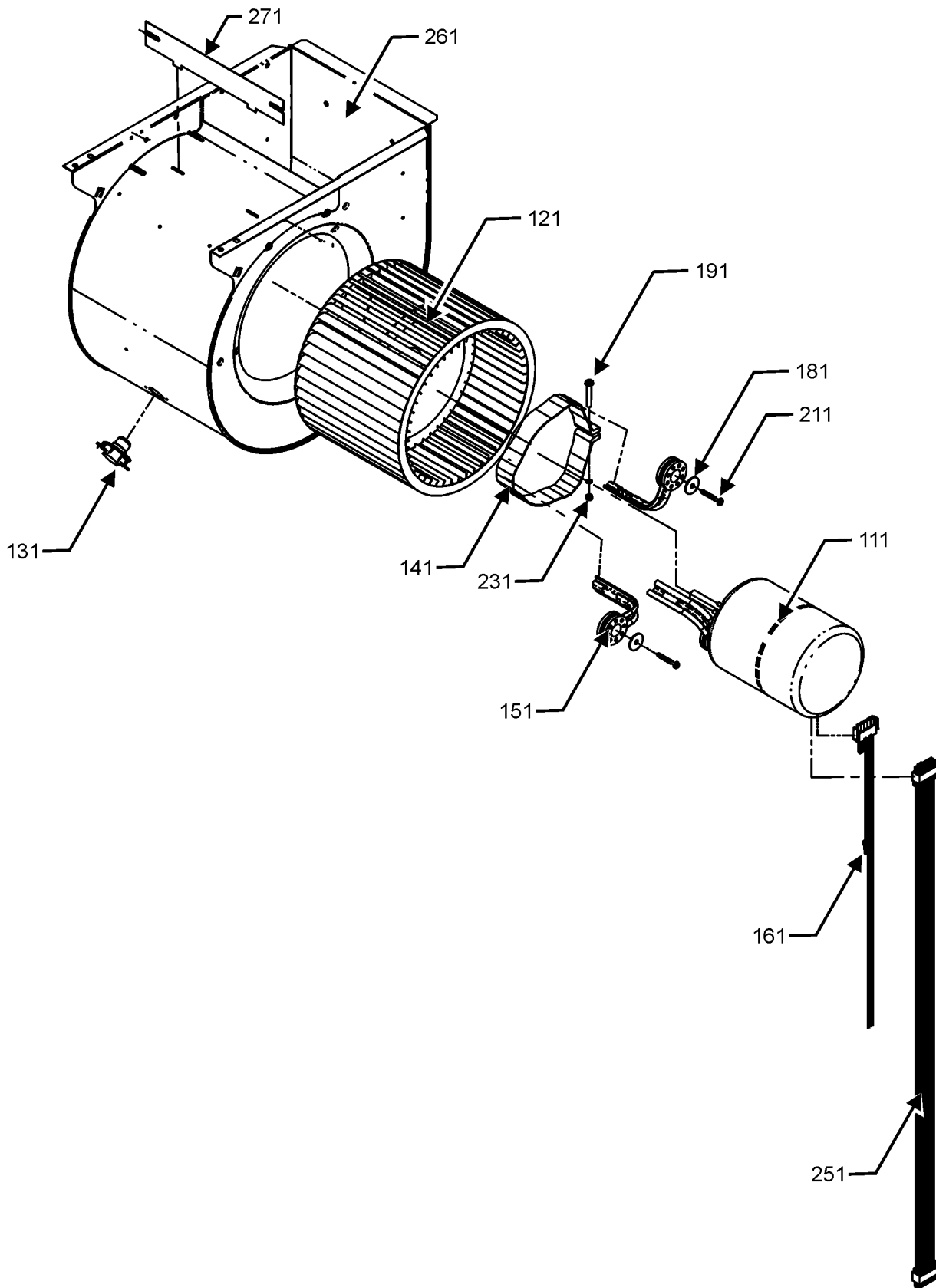
21	B1392139	VIEW PORT BUSHING-BLOWER DOOR
41	0130F00802	80% PRESSURE TRANSDUCER
71	4014502	J-BOX
81	4015502	COVER, J-BOX
81	B1392147	UNIVERSAL BUSHING WITH SLICE
171	0121F00142DG	TOP, FURNACE 17.5"-PAINTED (M1, M2, M3)
171	0121F00143DG	TOP, FURNACE 21"-PAINTED (M4, M5, M6)
181	0121F00119NG	DOOR CTRL ACCESS, 17.5" (M1, M2, M3)
181	0121F00120NG	DOOR CTRL ACCESS, 21" PAINTED (M4, M5, M6)
221	0121F00123NG	DOOR BLOWER, 17.5" PAINTED (M1, M2, M3)
221	0121F00124NG	DOOR BLOWER, 21" PAINTED (M4, M5, M6)
301	10690402	INTERLOCK SWITCH
321	4023500	CHIMNEY TRANSITION TOP
401	0130M00140	TRANSFORMER,(120V TO 24V,40VA,
451	PCBKF301	PCB CONTROL BOARD
461	0130M00141	INDUCTOR 5.9 AMPS

Expanded Model Nomenclature

M1 - DM80SC0604BUAA
M2 - DM80SC0604BUAB
M3 - DM80SC0604BUAC
M4 - DM80SC0805CUAA
M5 - DM80SC0805CUAB
M6 - DM80SC0805CUAC

Blower Assembly

BLOWER ASSEMBLY



Blower Assembly

Ref. Part No:	No:	Description:	Ref. Part No:	No:	Description:
Image 1:					
111	0131M01003	MOTOR, 3/4 HP (M2, M3, M5, M6)			
111	0131M00271	MOTOR, 3/4 HP, SERIAL ECM (M1, M4)			
121	B1368047	BLOWER WHEEL (10 X 10) (M4, M5, M6)			
121	B1368016	WHEEL, BLOWER, 10X8 (M1, M2, M3)			
131	0130F00038	LIMIT, PRIMARY, 120, LT BLUE			
141	0121M00038	MOUNT BAND, MOTOR (M1, M2, M3)			
141	0121M00039	MOUNT BAND, MOTOR (HEAVY DUTY) (M4, M5, M6)			
151	0171M00012	MOTOR MOUNT ARM (M1, M2, M3)			
151	0163M00538	MOUNT ARM, MOTOR (M4, M5, M6)			
161	0259F00049	HARNES-POWER			
181	B1392918	WASHER, FLAT 1/4 ID X 1 OD (QTY 3)			
191	0163M00320	HEX HEAD ALL THREAD TAP BOLT			
211	M0250565	SCREW-TC 1.25" (QTY 3)			
231	B1393800	LOCKNUT, NYLON INSERT 1/4 20			
251	0259M00008	WIRE HARNESS			
261	0271F00111	BLOWER SHELL ASSY (M1, M2, M3)			
261	0271F00112	BLOWER SHELL ASSY (M4, M5, M6)			
271	764741	BLWR BLK-OFF, 10X10 (M4, M5, M6)			
271	764740	BLWR BLK-OFF, 10X8 (M1, M2, M3)			
NS	SHARED DATA	Available thru CoolCloud HVAC app.			
NS	0159F00113	WIRING HARNESS (M1, M2, M4, M5)			
NS	0159F00129	WIRING HARNESS (M3, M6)			

Expanded Model Nomenclature

M1 - DM80SC0604BUAA
M2 - DM80SC0604BUAB
M3 - DM80SC0604BUAC
M4 - DM80SC0805CUAA
M5 - DM80SC0805CUAB
M6 - DM80SC0805CUAC

Heat Exchange Assembly

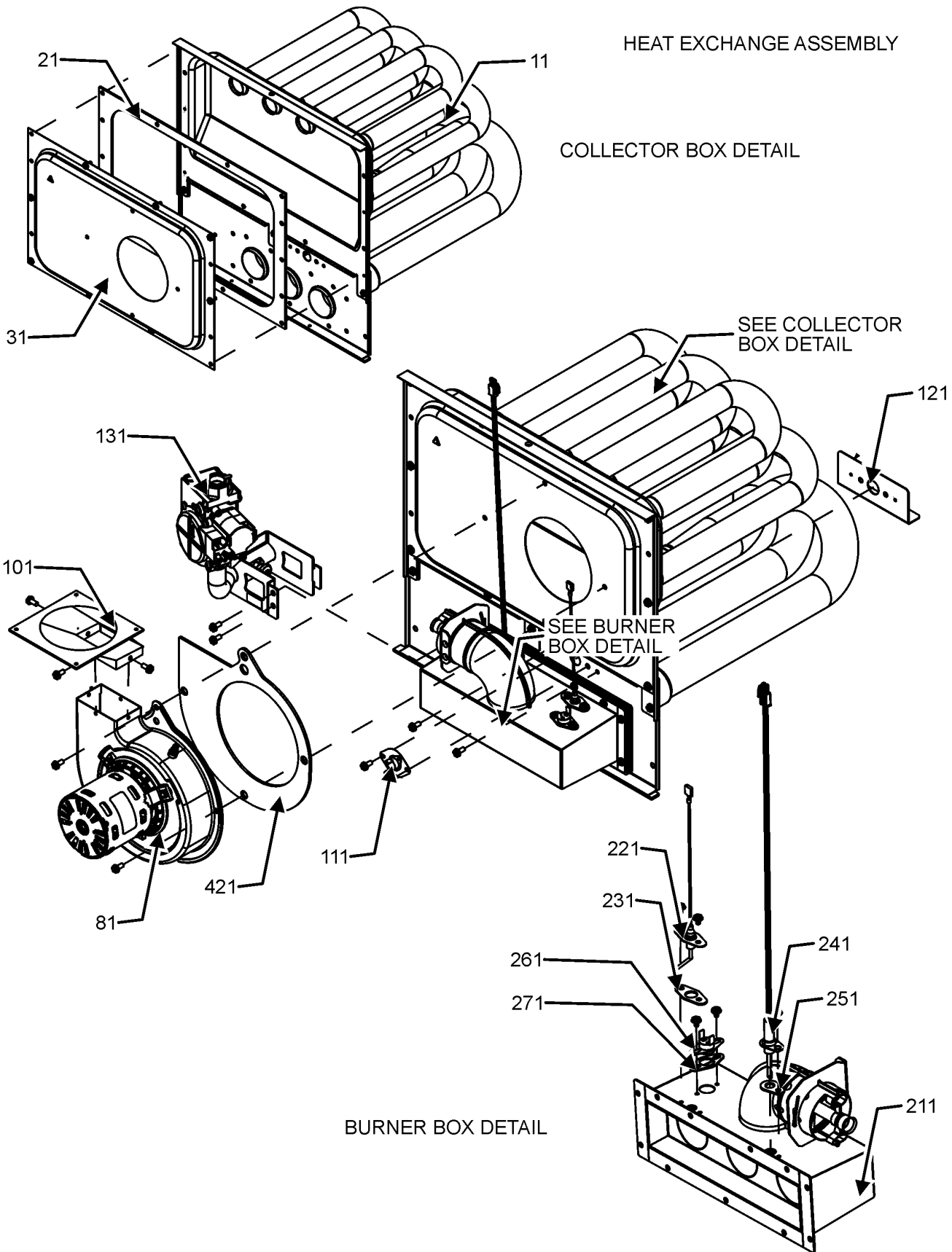
HEAT EXCHANGE ASSEMBLY

COLLECTOR BOX DETAIL

SEE COLLECTOR BOX DETAIL

SEE BURNER BOX DETAIL

BURNER BOX DETAIL



Heat Exchange Assembly

Ref. Part No:	Part No:	Description:	Ref. Part No:	Part No:	Description:
---------------	----------	--------------	---------------	----------	--------------

Image 1:

11	0270F03775	ASSY, EXCHANGER, HEAT (M4, M5, M6)
11	0270F03773	ASSY., HEAT EXCHANGER (M1, M2, M3)
21	0154F00049	GASKET, 17.5 INCH (M1, M2, M3)
21	0154F00050	GASKET, 21 INCH (M4, M5, M6)
31	0121F00636	COLLECTOR BOX 4.5 DIA (M1, M2, M3)
31	0121F00637	COLLECTOR BOX 4.5 DIA (M4, M5, M6)
81	0171M00010	MOTOR, VENT ULN80
101	0128F00006	TRANSITOIN, BOTTOM
111	0130F00067	LIMIT, PRIMARY (M4, M5, M6)
111	20162901	LIMIT, PRIMARY (M1, M2, M3)
121	0121F00439	HEAT SHIELD PRIMARY LIMIT
131	0151M00094	GAS VALVE, ULN
211	0163F00024	BURNER, BECKETT 3B (M1, M2, M3)
211	0163F00025	BURNER, BECKETT 4B (M4, M5, M6)
221	0130F00762	FLAME SENSOR
231	0154F00068	GASKET ULN FLAME SENSOR
241	0130F00955	ULN IGNITER
251	0154F00068	GASKET ULN IGNITOR
261	0130F00769	SWITCH, HIGH LIMIT ULN (M1, M2, M3)
261	0130F00772	SWITCH, HIGH LIMIT ULN (M4, M5, M6)
271	0154F00069	GASKET LIMIT ULN
421	0154F00049	GASKET, 17.5 INCH (M1, M2, M3)
421	0154F00050	GASKET, 21 INCH (M4, M5, M6)
NS	0263F00005	ASSY., MANIFOLD (M1, M2, M3)
NS	0263F00006	ASSY., MANIFOLD (M4, M5, M6)
NS	DY6.186.070	VENT MOTOR CAPACITOR

Expanded Model Nomenclature

- | |
|---------------------|
| M1 - DM80SC0604BUAA |
| M2 - DM80SC0604BUAB |
| M3 - DM80SC0604BUAC |
| M4 - DM80SC0805CUAA |
| M5 - DM80SC0805CUAB |
| M6 - DM80SC0805CUAC |