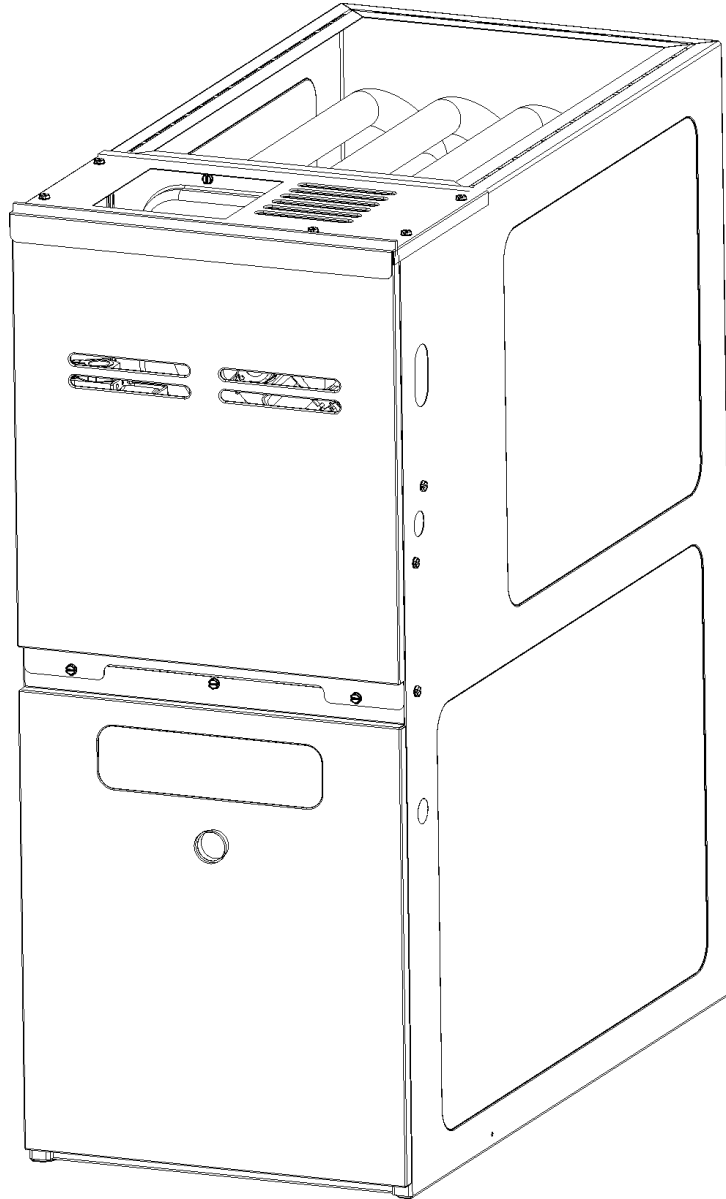


DM80HS 80% Upflow Hybrid Furnace

DM80HS0403AXAA
DM80HS0603AXAA
DM80HS0604BXAA
DM80HS0803BXAA
DM80HS0804BXAA
DM80HS0805CXAA
DM80HS1005CXAA
DM80HS1205DXAA
DM80HS1405DXAA



This manual is to be used by qualified technicians only.

This manual replaces RP-D2011.

© 2013 Daikin Manufacturing Company, L.P. ♦ 5151 San Felipe St., Suite 500 ♦ Houston, TX 77056

Important Information

Index

Functional Parts List	3
Illustration and Parts	4 - 9

Views shown are for parts illustrations only, not servicing procedures

Rev A: added vent motor capacitor service part

Text Codes:

AR - As Required

NA - Not Available

NS - Not Shown

00000000 - See Note

QTY - Quantity Example (QTY 3) (If Quantity not shown, Quantity = 1)

M - Model Example (M1) (If M Code not shown, then part is used on all Models)

Expanded Model Nomenclature:

Example M1 - Model#1 M2 - Model#2 M3 - Model#3

Daikin Manufacturing Company, L.P. is not responsible for personal injury or property damage resulting from improper service. Review all service information before beginning repairs.

Warranty service must be performed by an authorized technician, using authorized factory parts. If service is required after the warranty expires, Daikin Manufacturing Company, L.P. also recommends contacting an authorized technician and using authorized factory parts.

Daikin Manufacturing Company, L.P. reserves the right to discontinue, or change at any time, specifications or designs without notice or without incurring obligations.

For assistance within the U.S.A. contact:

Consumer Affairs Department
Daikin North America, LLC
7401 Security Way
Houston, Texas 77040
855-770-5678-Telephone
713-863-2382-Facsimile

For assistance outside the U.S.A. contact:

International Division
Daikin North America, LLC
7401 Security Way
Houston, Texas 77040
713-861-2500-Telephone
713-863-2382-Facsimile

Functional Parts

Part

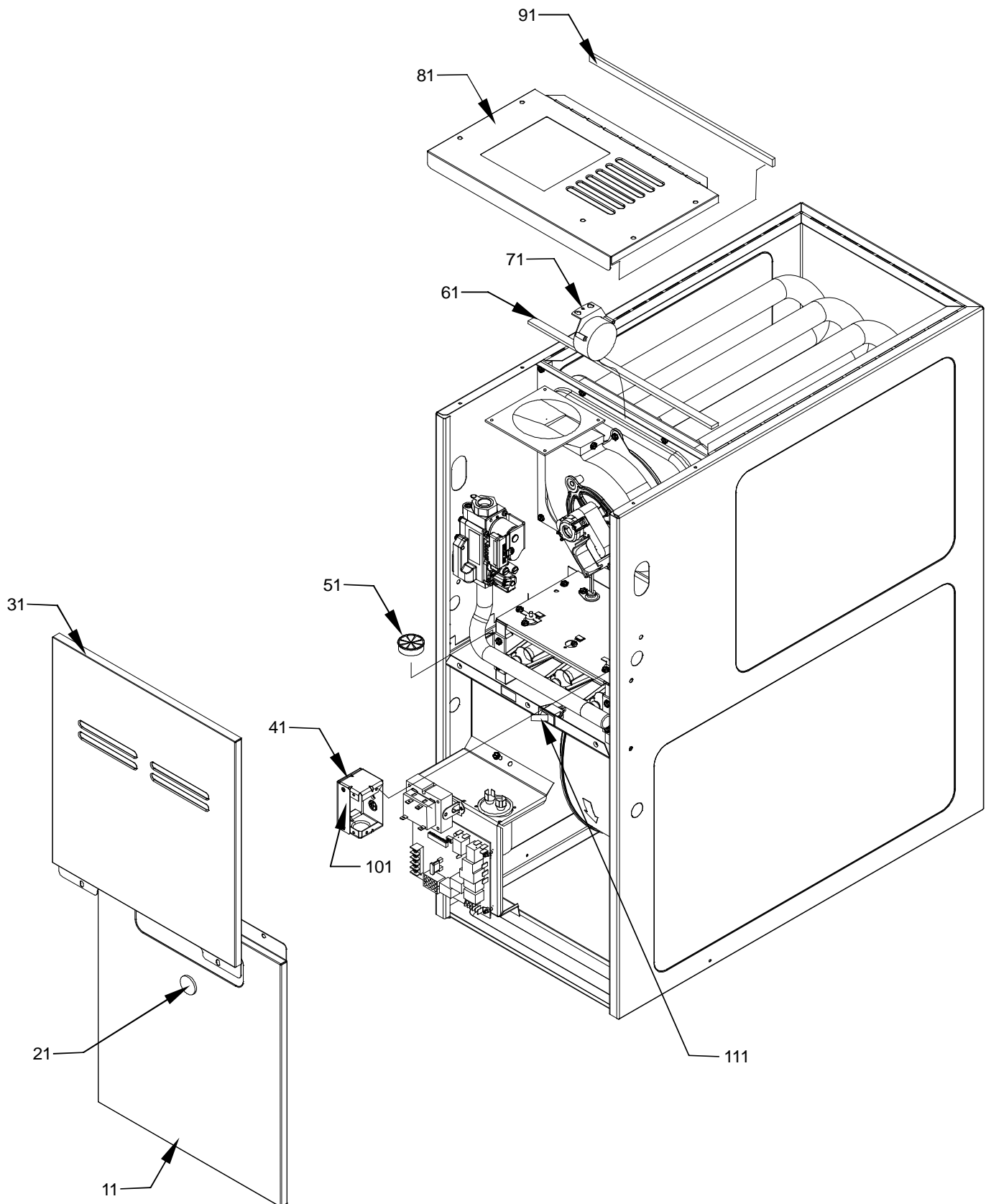
No: Description:

0131F00022	BLOWER MOTOR 1/2 HP, 4 SP, 6 PL (M3, M5, M6, M7)
0131F00020	BLOWER MOTOR 1/3 HP, 4 SP, 6 PL (M4)
0131F00021	BLOWER MOTOR 1/3HP, 4SP, 6PL (M1, M2)
20046618	BLOWER MOTOR 3/4 HP (M8, M9)
D6723311	BLOWER WHEEL (M8, M9)
0150M00035	BLOWER WHEEL 10 X 10 (M6, M7)
B1368034	BLOWER WHEEL 10 X 6 (M1, M2)
B1368016	BLOWER WHEEL 10 X 8 (M3, M5)
B1368058	BLOWER WHEEL 10 X 8 (M4)
CAP125000370RP	CAPACITOR 12.5/370V (M1, M2, M4)
CAP200000440RP	CAPACITOR 20/370V (M3, M5, M6, M7)
CAP250000370RP	CAPACITOR 25/370V (M8, M9)
0130F00010	FLAME SENSOR
0130F00008	IGNITOR-SINI 17 SEC
B1370818	INTERLOCK SWITCH
20162901	LIMIT (M1)
10123529	MANUAL RESET LIMIT (QTY 2)
PCBBF132	PCB 2STAGE HYBRID FURNACE CNTL
0130F00042	PRESSURE SWITCH (M8, M9)
B1370179	PRESSURE SWITCH (M2, M3, M6)
B1370158	PRESSURE SWITCH -0.70" WC (M1, M4, M5, M7)
20162903	PRIMARY LIMIT - BLUE (M6, M8, M9)
0130F00038	PRIMARY LIMIT - LT BLUE 120°
20162904	PRIMARY LIMIT-TEMPERATURE CONTROL (M2, M3, M4, M5, M7)
0130M00140	TRANSFORMER 120V TO 24V, 40 VA
0151M00028	VALVE,GAS(HW)VR92
0131M00002	VENT MOTOR
DY6.186.070	VENT MOTOR CAPACITOR

Expanded Model Nomenclature

M1 - DM80HS0403AXAA
M2 - DM80HS0603AXAA
M3 - DM80HS0604BXAA
M4 - DM80HS0803BXAA
M5 - DM80HS0804BXAA
M6 - DM80HS0805CXAA
M7 - DM80HS1005CXAA
M8 - DM80HS1205DXAA
M9 - DM80HS1405DXAA

Cabinet



Cabinet

Ref. Part No: No:	Description:	Ref. Part No: No:	Description:
-------------------	--------------	-------------------	--------------

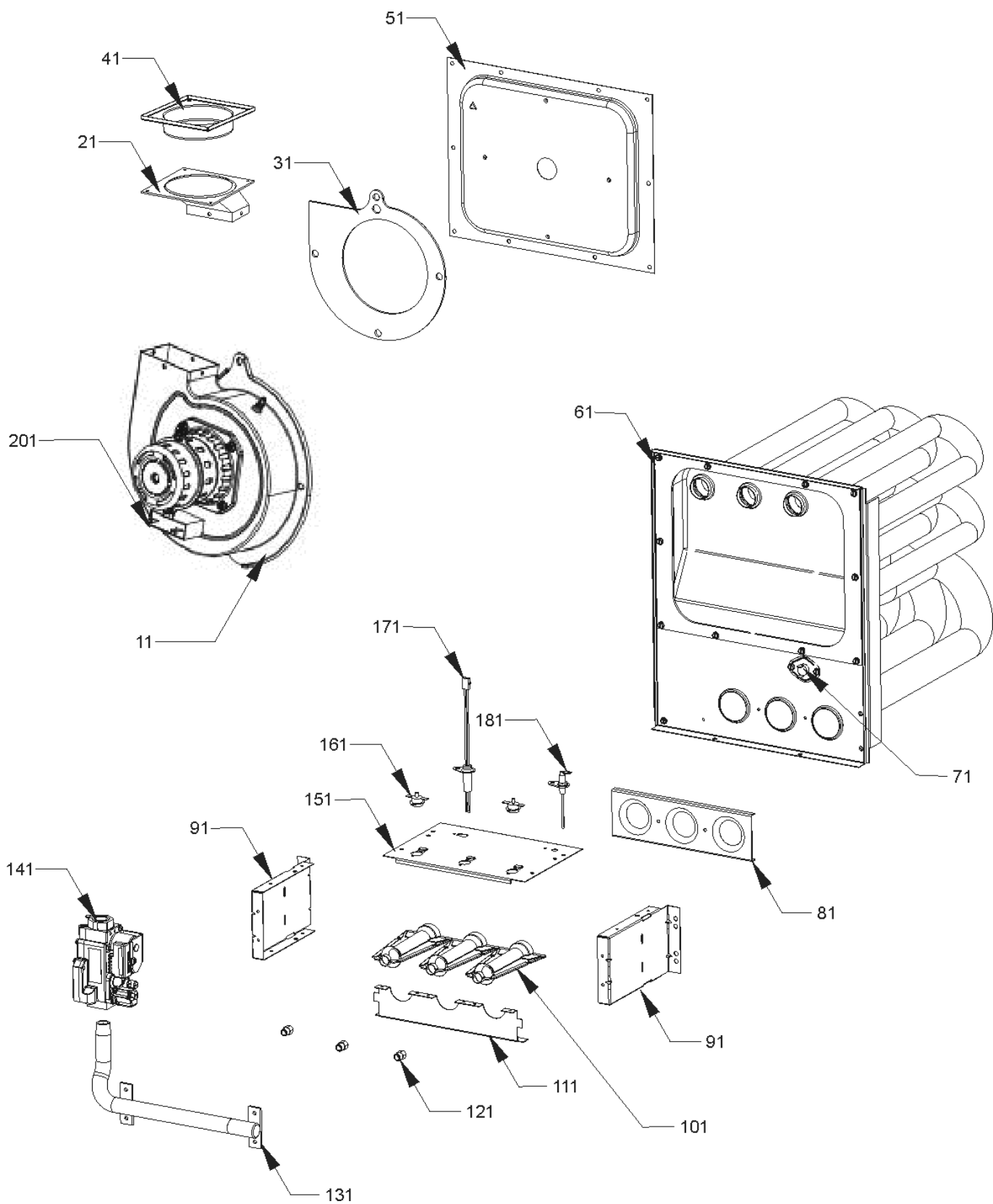
Image 1:

11	0121F00122NG	BLOWER ACCESS DOOR 14" (M1, M2)
11	0121F00123NG	BLOWER ACCESS DOOR 17.5" (M3, M4, M5)
11	0121F00124NG	BLOWER ACCESS DOOR 21" (M6, M7)
11	0121F00125NG	BLOWER ACCESS DOOR 24.5" (M8, M9)
21	B1392139	VIEW PORT BUSHING-BLOWER DOOR
31	0121F00118NG	CONTROL ACCESS DOOR 14" (M1, M2)
31	0121F00119NG	CONTROL ACCESS DOOR 17.5" (M3, M4, M5)
31	0121F00120NG	CONTROL ACCESS DOOR 21" (M6, M7)
31	0121F00121NG	CONTROL ACCESS DOOR 24.5" (M8, M9)
41	4014502	J-BOX
51	B1392147	UNIVERSAL BUSHING WITH SLICE
61	B13926111	SEAL STRIP, 1/8 X 1/2 X 14 (M1, M2)
61	B13926112	SEAL STRIP, 1/8 X 1/2 X 17.5 (M3, M4, M5)
61	B13926113	SEAL STRIP, 1/8 X 1/2 X 21 (M6, M7)
61	B13926114	SEAL STRIP, 1/8 X 1/2 X 24.5 (M8, M9)
71	0130F00042	PRESSURE SWITCH (M8, M9)
71	B1370179	PRESSURE SWITCH (M2, M3, M6)
71	B1370158	PRESSURE SWITCH -0.70" WC (M1, M4, M5, M7)
81	0121F00141DG	TOP 14" (M1, M2)
81	0121F00142DG	TOP 17.5" (M3, M4, M5)
81	0121F00143DG	TOP 21" (M6, M7)
81	0121F00463DG	TOP 24.5" (M8, M9)
91	B13926111	SEAL STRIP, 1/8 X 1/2 X 14 (M1, M2)
91	B13926112	SEAL STRIP, 1/8 X 1/2 X 17.5 (M3, M4, M5)
91	B13926113	SEAL STRIP, 1/8 X 1/2 X 21 (M6, M7)
91	B13926114	SEAL STRIP, 1/8 X 1/2 X 24.5 (M8, M9)
101	4015502	J-BOX COVER
111	B1370818	INTERLOCK SWITCH
NS	0259F00051	IGNITOR WIRE HARNESS ASSY
NS	0259F00050	KIT, WIRE HYBRID FURN
NS	1819000	SOLID BOTTOM 14" CASE (M1, M2)
NS	1819001	SOLID BOTTOM 17.5" CASE (M3, M4, M5)
NS	1819002	SOLID BOTTOM 21" CASE (M6, M7)
NS	1819003	SOLID BOTTOM 24.5" CASE (M8, M9)
NS	0259F00073	WIRE HARNESS (M6, M7, M8, M9)
NS	0259F00085	WIRE HARNESS (M1, M2, M3, M4, M5)

Expanded Model Nomenclature

- | |
|---------------------|
| M1 - DM80HS0403AXAA |
| M2 - DM80HS0603AXAA |
| M3 - DM80HS0604BXAA |
| M4 - DM80HS0803BXAA |
| M5 - DM80HS0804BXAA |
| M6 - DM80HS0805CXAA |
| M7 - DM80HS1005CXAA |
| M8 - DM80HS1205DXAA |
| M9 - DM80HS1405DXAA |

Collector Box / Heat Exchanger Assy



Collector Box / Heat Exchanger Assy

**Ref. Part
No: No:**

Description:

**Ref. Part
No: No:**

Description:

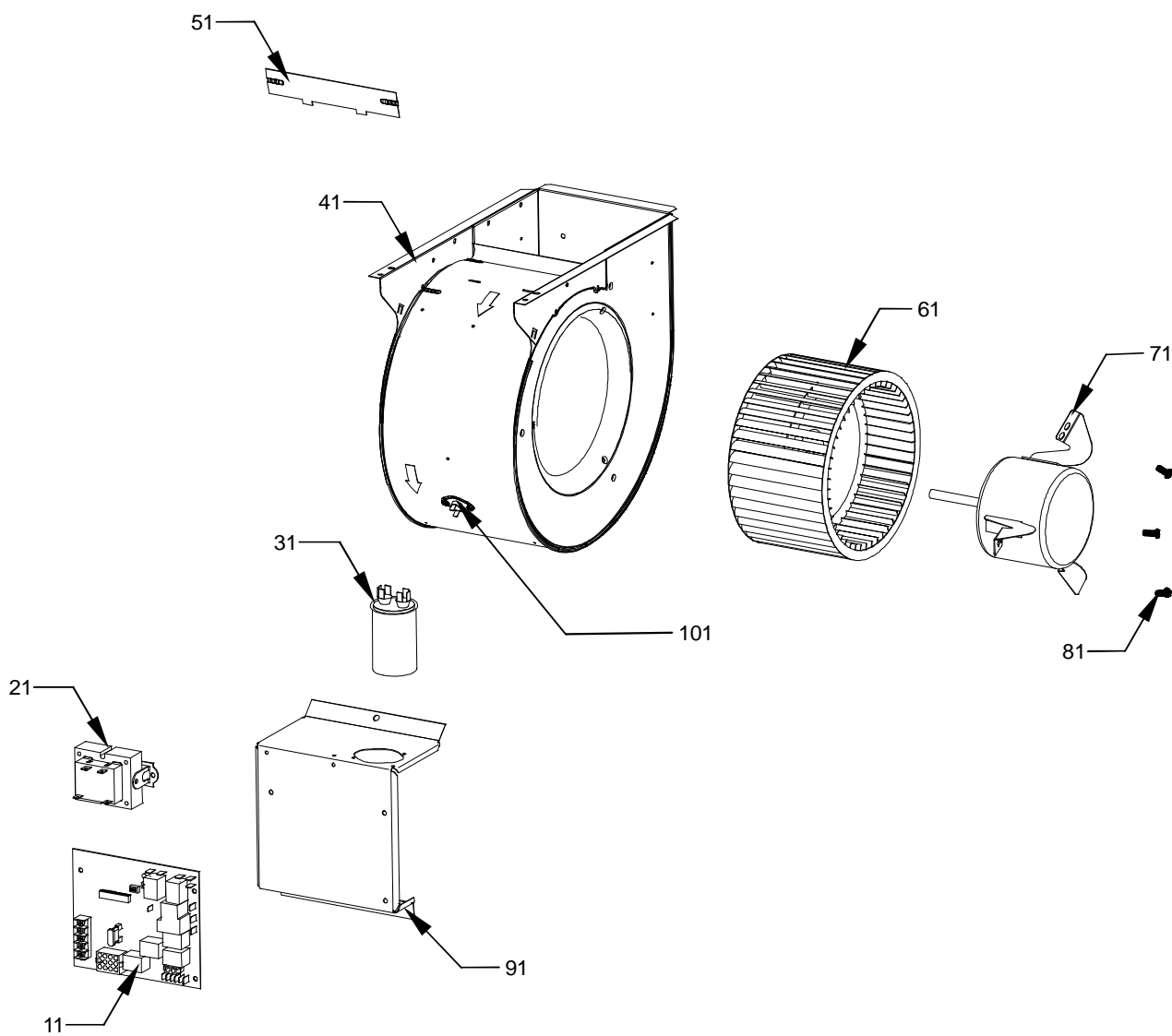
Image 1:

11	0131M00002	VENT MOTOR
21	0128F00006	CHIMNEY TRANSITION BOTTOM
31	0154F00003	VENT MOTOR GASKET 14" (M1, M2)
31	0154F00004	VENT MOTOR GASKET 17.5" (M3, M4, M5)
31	0154F00005	VENT MOTOR GASKET 21" (M6, M7)
31	0154F00006	VENT MOTOR GASKET 24.5" (M8, M9)
41	4023500	CHIMNEY TRANSITION TOP
51	0121F00126	FLUE COLLECTOR BOX KIT 14" 1.25 DIA (M1)
51	0121F00198	FLUE COLLECTOR BOX KIT 14" 1.75 DIA (M2)
51	0121F00128	FLUE COLLECTOR BOX KIT 17.5" 1.75 DIA (M3, M4, M5)
51	0121F00333	FLUE COLLECTOR BOX KIT 21" 1.75 DIA (M6, M7)
51	0121F00330	FLUE COLLECTOR BOX KIT 24.5" 2.125 DIA (M8)
51	0121F00131	FLUE COLLECTOR BOX KIT 24.5" 3.5 DIA (M9)
61	0270F00931	HEAT EXCHANGER ASSY (M1)
61	0270F00932	HEAT EXCHANGER ASSY (M2)
61	0270F00933	HEAT EXCHANGER ASSY (M3)
61	0270F00934	HEAT EXCHANGER ASSY (M4, M5)
61	0270F00935	HEAT EXCHANGER ASSY (M6)
61	0270F00936	HEAT EXCHANGER ASSY (M7)
61	0270F00937	HEAT EXCHANGER ASSY (M8, M9)
71	20162901	LIMIT (M1)
71	20162903	PRIMARY LIMIT - BLUE (M6, M8, M9)
71	20162904	PRIMARY LIMIT-TEMPERATURE CONTROL (M2, M3, M4, M5, M7)
81	4028000	ORIFICE SHIELD 2 CELL (M1)
81	4028001	ORIFICE SHIELD 3 CELL (M2, M3)
81	4028002	ORIFICE SHIELD 4 CELL (M4, M5, M6)
81	4028003	ORIFICE SHIELD 5 CELL (M7)
81	4028004	ORIFICE SHIELD 6 CELL (M8, M9)
91	0121F00146	BURNER BOX SIDE (QTY 2)
101	B4022700	INSHOT BURNER ASSY 3" (QTY A/R)
111	0121F00167	BURNER BRACKET 2B (M1)
111	0121F00168	BURNER BRACKET 3B (M2, M3)
111	0121F00169	BURNER BRACKET 4B (M4, M5, M6)
111	0121F00170	BURNER BRACKET 5B (M7)
111	0121F00171	BURNER BRACKET 6B (M8, M9)
121	10716003	ORIFICE (M9)
131	0120F00006	MANIFOLD (M1)
131	0120F00007	MANIFOLD (M2, M3)
131	0120F00008	MANIFOLD (M4, M5, M6)
131	0120F00009	MANIFOLD (M7)
131	0120F00010	MANIFOLD (M8, M9)
141	0151M00028	VALVE,GAS(HW)VR92
151	0121F00162	BURNER BOX TOP 2 CELL (M1)
151	0121F00163	BURNER BOX TOP 3 CELL (M2, M3)
151	0121F00164	BURNER BOX TOP 4 CELL (M4, M5, M6)
151	0121F00165	BURNER BOX TOP 5 CELL (M7)
151	0121F00166	BURNER BOX TOP 6 CELL (M8, M9)
161	10123529	MANUAL RESET LIMIT (QTY 2)
171	0130F00008	IGNITOR-SINI 17 SEC
181	0130F00010	FLAME SENSOR
201	DY6.186.070	VENT MOTOR CAPACITOR

Expanded Model Nomenclature

M1 - DM80HS0403AXAA
M2 - DM80HS0603AXAA
M3 - DM80HS0604BXAA
M4 - DM80HS0803BXAA
M5 - DM80HS0804BXAA
M6 - DM80HS0805CXAA
M7 - DM80HS1005CXAA
M8 - DM80HS1205DXAA
M9 - DM80HS1405DXAA

Blower and Control Panel



Blower and Control Panel

Ref. Part No: No:	Description:	Ref. Part No: No:	Description:
-------------------	--------------	-------------------	--------------

Image 1:

11	PCBBF132	PCB 2STAGE HYBRID FURNACE CNTL
21	0130M00140	TRANSFORMER 120V TO 24V, 40 VA
31	CAP125000370RP	CAPACITOR 12.5/370V (M1, M2, M4)
31	CAP200000440RP	CAPACITOR 20/370V (M3, M5, M6, M7)
31	CAP250000370RP	CAPACITOR 25/370V (M8, M9)
41	2539307	BLOWER HOUSING 10 X 10 (M6, M7, M8, M9)
41	2539305	BLOWER HOUSING 10 X 6 (M1, M2)
41	2539306	BLOWER HOUSING 10 X 8 (M3, M4, M5)
51	764741F	BLOWER BLOCK-OFF 10 X 10 (M6, M7, M8, M9)
51	764740	BLOWER BLOCK-OFF 10 X 8 (M3, M4, M5)
51	764739	BLOWER CUT-OFF 10 X 6 (M1, M2)
61	D6723311	BLOWER WHEEL (M8, M9)
61	0150M00035	BLOWER WHEEL 10 X 10 (M6, M7)
61	B1368034	BLOWER WHEEL 10 X 6 (M1, M2)
61	B1368016	BLOWER WHEEL 10 X 8 (M3, M5)
61	B1368058	BLOWER WHEEL 10 X 8 (M4)
71	0131F00022	BLOWER MOTOR 1/2 HP, 4 SP, 6 PL (M3, M5, M6, M7)
71	0131F00020	BLOWER MOTOR 1/3 HP, 4 SP, 6 PL (M4)
71	0131F00021	BLOWER MOTOR 1/3HP, 4SP, 6PL (M1, M2)
71	20046618	BLOWER MOTOR 3/4 HP (M8, M9)
81	M0250558	TC SCREW (QTY 3)
91	1815817	CONTROL MOUNT PANEL
101	0130F00038	PRIMARY LIMIT - LT BLUE 120°

Expanded Model Nomenclature

M1 - DM80HS0403AXAA
M2 - DM80HS0603AXAA
M3 - DM80HS0604BXAA
M4 - DM80HS0803BXAA
M5 - DM80HS0804BXAA
M6 - DM80HS0805CXAA
M7 - DM80HS1005CXAA
M8 - DM80HS1205DXAA
M9 - DM80HS1405DXAA