
DM80HS 80% Two Stage Upflow Horizontal Gas Furnace

DM80HS0403AXAB
DM80HS0403AXAC
DM80HS0603AXAB
DM80HS0603AXAC
DM80HS0604BXAB
DM80HS0604BXAC
DM80HS0803BXAB
DM80HS0803BXAC
DM80HS0804BXAB
DM80HS0804BXAC
DM80HS0805CXAB
DM80HS0805CXAC
DM80HS1005CXAB
DM80HS1005CXAC
DM80HS1205DXAB
DM80HS1405DXAB



This manual is to be used by qualified technicians only.

This manual replaces RP-D2306A.

© 2016 - 2018 **DAIKIN MANUFACTURING COMPANY, L.P.** ♦ 5151 San Felipe St, Suite 500 ♦ Houston, TX 77056

Important Information

Index

Functional Parts List	3
Illustration and Parts	4 - 9

Views shown are for parts illustrations only, not servicing procedures.

Text Codes:

AR - As Required

NA - Not Available

NS - Not Shown

00000000 - See Note

QTY - Quantity Example (QTY 3) (If Quantity not shown, Quantity = 1)

M - Model Example (M1) (If M Code not shown, then part is used on all Models)

Expanded Model Nomenclature:

Example M1 - Model#1 M2 - Model#2 M3 - Model#3

Daikin Manufacturing Company, L.P. is not responsible for personal injury or property damage resulting from improper service. Review all service information before beginning repairs.

Warranty service must be performed by an authorized technician, using authorized factory parts. If service is required after the warranty expires, Daikin Manufacturing Company, L.P. also recommends contacting an authorized technician and using authorized factory parts.

Daikin Manufacturing Company, L.P. reserves the right to discontinue, or change at any time, specifications or designs without notice or without incurring obligations.

For assistance within the U.S.A. contact:

Homeowner Support
Daikin North America, LLC
19001 Kermier Road
Waller, Texas 77484
855-770-5678-Telephone
713-863-2382-Facsimile

For assistance outside the U.S.A. contact:

International Division
Daikin North America, LLC
19001 Kermier Road
Waller, Texas 77484
713-861-2500-Telephone
713-863-2382-Facsimile

Functional Parts

Part

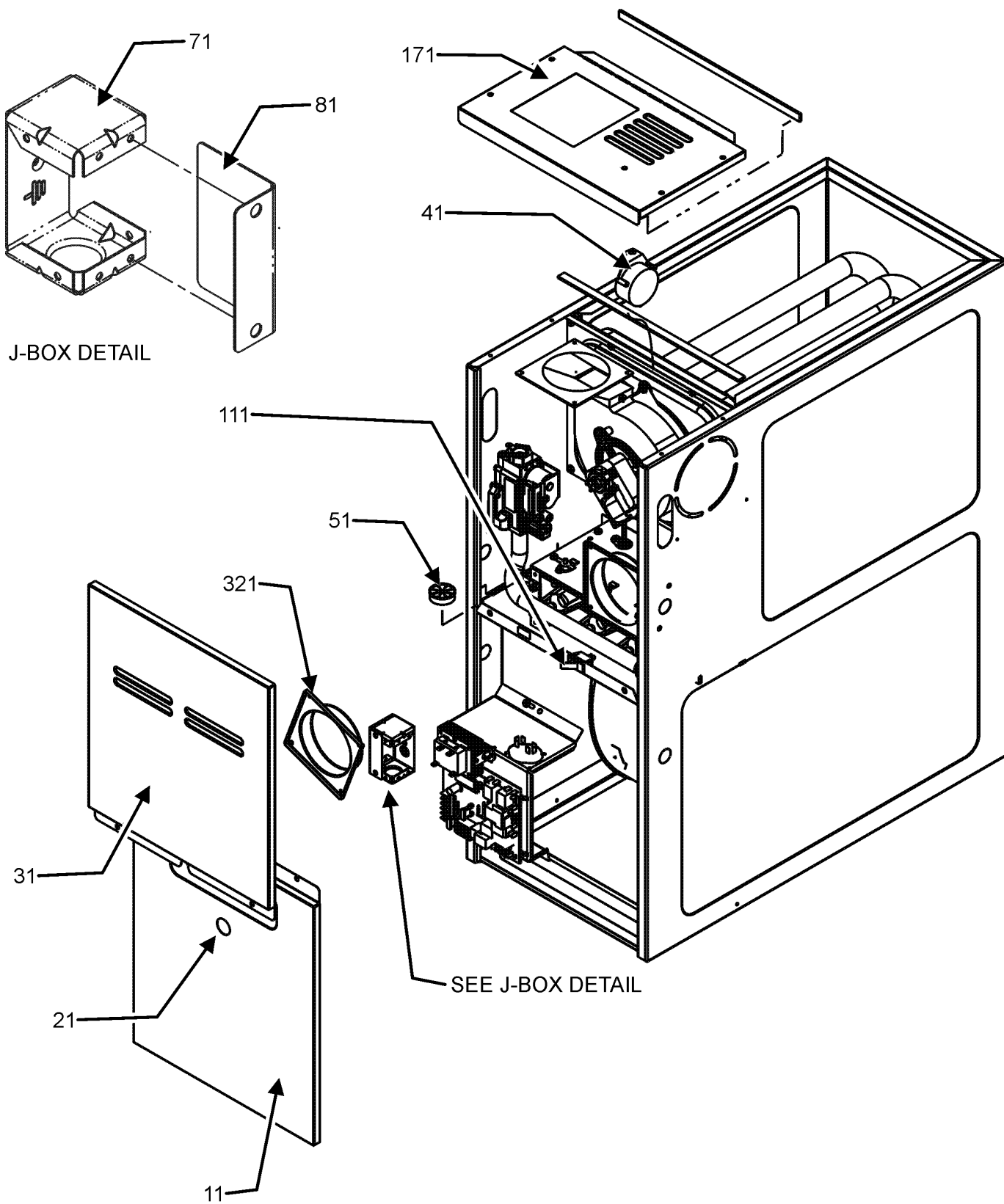
No: Description:

20162904	*PRIMARY LIMIT-TEMPERATURE CONTROL (M3, M4, M5, M6, M7, M8, M9, M10, M13, M14) *Refer to service bulletin SF-054
0130F00042	AIR PRESSURE SWITCH (M15, M16)
B1370158	AIR PRESSURE SWITCH, LIME (M1, M2, M7, M8, M9, M10, M13, M14)
B1370179	AIR PRESSURE SWITCH, PINK (M3, M4, M5, M6, M11, M12)
0130F00038	AUX LIMIT - LT BLUE 120°
B1368034	BLOWER WHEEL (10 X 6) (M1, M2, M3, M4)
B1368058	Blower Wheel (10 X 8) (M7, M8)
B1368000	BLOWER WHEEL (11 X 10) (M15, M16)
CAP200000370CP	CAP, 20 MFD/370V/ RD (M1, M2, M3, M4, M5, M6, M7, M8, M9, M10, M11, M12, M13, M14)
CAP250000370CP	CAP, 25 MFD/370V/ RD (M15, M16)
0130F00010	FLAME SENSOR
0151M00027	GAS VALVE (M2, M4, M6, M8, M10, M12, M14, M15, M16)
10690402	INTERLOCK SWITCH
20162901	LIMIT (M1, M2)
10123529	MANUAL RESET R.O.S. LIMIT (QTY 2)
0131F00042	MOTOR, 1/2HP, 4SP, 6PL (M5, M6, M9, M10)
0131F00043	MOTOR, 1/2HP, 4SP, 6PL (M11, M12, M13, M14)
0131F00041	MOTOR, 1/3HP, 4SP, 6PL (M1, M2, M3, M4, M7, M8)
0131M00002P	MOTOR, VENT 80+
20046618	MOTOR-BLOW 3/4 HP (M15, M16)
PCBBF132	PCB 2STAGE HYBRID FURNACE CNTL
20162903	PRIMARY LIMIT - BLUE (M11, M12, M15, M16)
0130F00008	SINI IGNITOR
0130M00140	TRANSFORMER,(120V TO 24V,40VA,
0151M00028	VALVE,GAS(HW)VR92 (M1, M3, M5, M7, M9, M11, M13)
0150M00042	WHEEL, BLOWER (10 X 10) (M11, M12, M13, M14)
0150M00043	WHEEL, BLOWER (10 X 8) (M5, M6, M9, M10)

Expanded Model Nomenclature

M1 - DM80HS0403AXAB
M2 - DM80HS0403AXAC
M3 - DM80HS0603AXAB
M4 - DM80HS0603AXAC
M5 - DM80HS0604BXAB
M6 - DM80HS0604BXAC
M7 - DM80HS0803BXAB
M8 - DM80HS0803BXAC
M9 - DM80HS0804BXAB
M10 - DM80HS0804BXAC
M11 - DM80HS0805CXAB
M12 - DM80HS0805CXAC
M13 - DM80HS1005CXAB
M14 - DM80HS1005CXAC
M15 - DM80HS1205DXAB
M16 - DM80HS1405DXAB

Cabinet Assembly



Cabinet Assembly

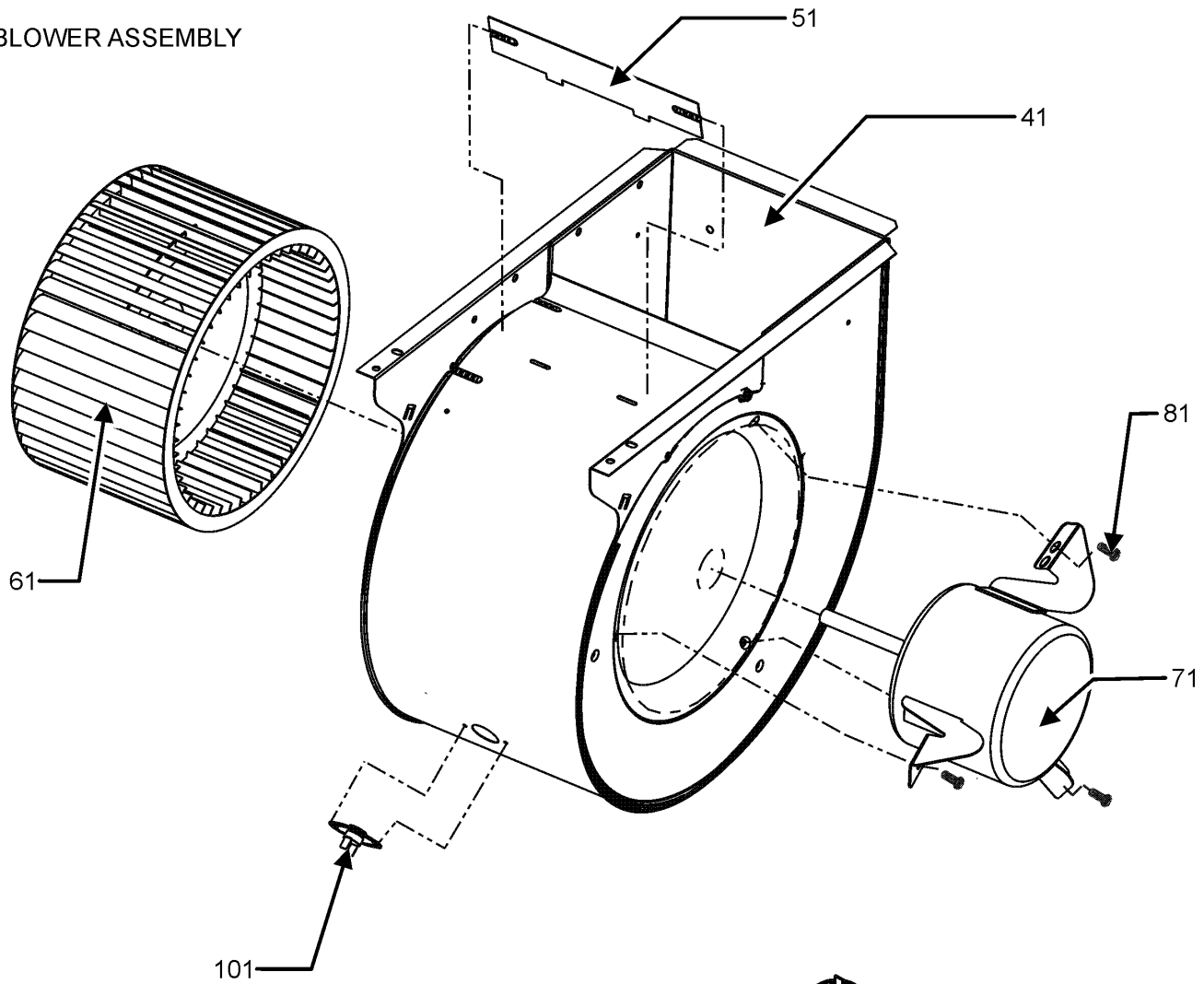
Ref. Part No:	Part No:	Description:	Ref. Part No:	Part No:	Description:
Image 1:					
11	0121F00122NG	DOOR BLOWER, 14" PAINTED (M1, M2, M3, M4)			
11	0121F00123NG	DOOR BLOWER, 17.5" PAINTED (M5, M6, M7, M8, M9, M10)			
11	0121F00124NG	DOOR BLOWER, 21" PAINTED (M11, M12, M13, M14)			
11	0121F00125NG	DOOR BLOWER, 24.5" PAINTED (M15, M16)			
21	B1392139	VIEW PORT BUSHING-BLOWER DOOR			
31	0121F00118NG	DOOR CTRL ACCESS, 14" PAINTED (M1, M2, M3, M4)			
31	0121F00119NG	DOOR CTRL ACCESS, 17.5" (M5, M6, M7, M8, M9, M10)			
31	0121F00120NG	DOOR CTRL ACCESS, 21" PAINTED (M11, M12, M13, M14)			
31	0121F00121NG	DOOR CTRL ACCESS, 24.5 PAINTED (M15, M16)			
41	0130F00042	AIR PRESSURE SWITCH (M15, M16)			
41	B1370158	AIR PRESSURE SWITCH, LIME (M1, M2, M7, M8, M9, M10, M13, M14)			
41	B1370179	AIR PRESSURE SWITCH, PINK (M3, M4, M5, M6, M11, M12)			
51	B1392147	UNIVERSAL BUSHING WITH SLICE			
71	4014502	J-BOX			
81	4015502	COVER, J-BOX			
111	10690402	INTERLOCK SWITCH			
171	0121F00141DG	TOP, FURNACE 14"-PAINTED (M1, M2, M3, M4)			
171	0121F00142DG	TOP, FURNACE 17.5"-PAINTED (M5, M6, M7, M8, M9, M10)			
171	0121F00143DG	TOP, FURNACE 21"-PAINTED (M11, M12, M13, M14)			
171	0121F00463DG	TOP, FURNACE 24.5" PAINTED (M15, M16)			
321	4023500	CHIMNEY TRANSITION TOP			

Expanded Model Nomenclature

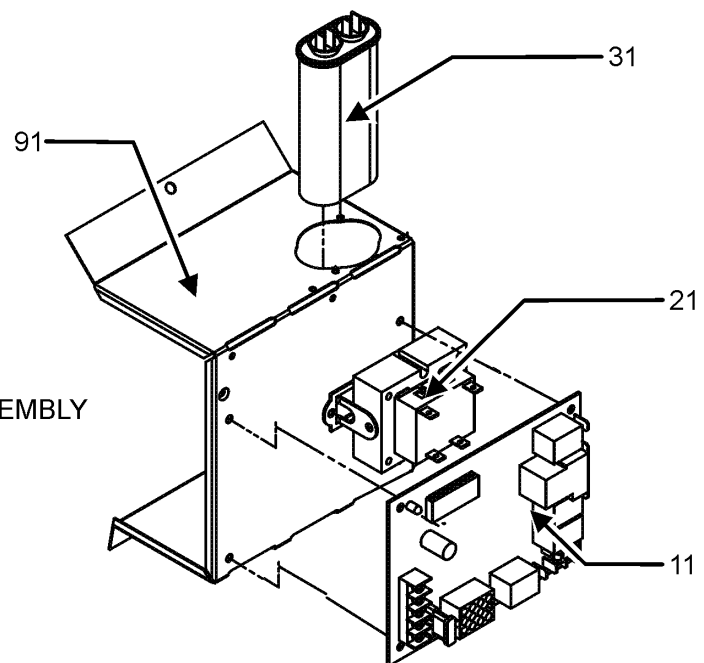
M1 - DM80HS0403AXAB
M2 - DM80HS0403AXAC
M3 - DM80HS0603AXAB
M4 - DM80HS0603AXAC
M5 - DM80HS0604BXAB
M6 - DM80HS0604BXAC
M7 - DM80HS0803BXAB
M8 - DM80HS0803BXAC
M9 - DM80HS0804BXAB
M10 - DM80HS0804BXAC
M11 - DM80HS0805CXAB
M12 - DM80HS0805CXAC
M13 - DM80HS1005CXAB
M14 - DM80HS1005CXAC
M15 - DM80HS1205DXAB
M16 - DM80HS1405DXAB

Blower Assembly

BLOWER ASSEMBLY



CONTROL PANEL ASSEMBLY



Blower Assembly

Ref. Part No:	Part No:	Description:	Ref. Part No:	Part No:	Description:
---------------	----------	--------------	---------------	----------	--------------

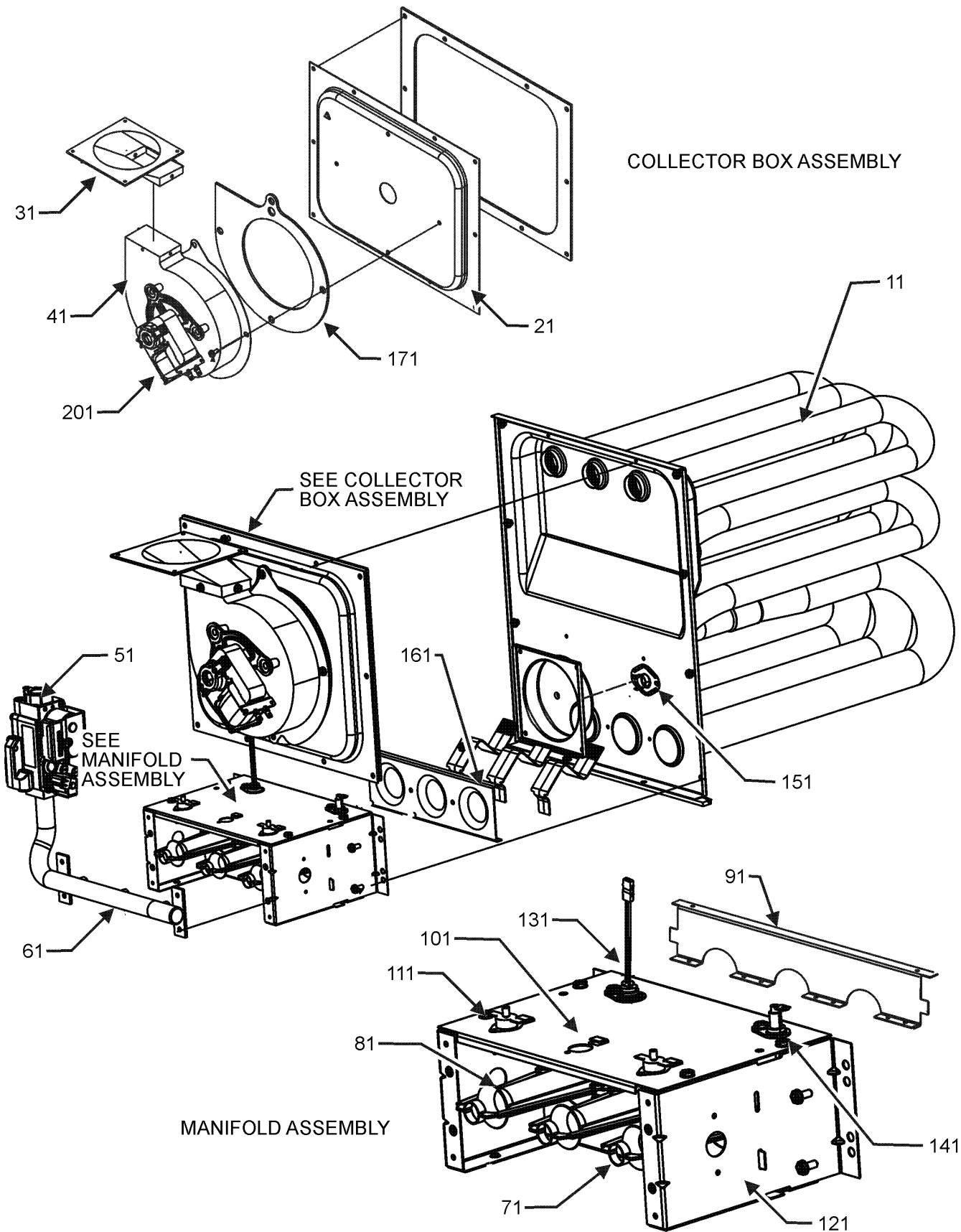
Image 1:

11	PCBBF132	PCB 2STAGE HYBRID FURNACE CNTL
21	0130M00140	TRANSFORMER,(120V TO 24V,40VA,
31	CAP200000370CP	CAP, 20 MFD/370V/ RD (M1, M2, M3, M4, M5, M6, M7, M8, M9, M10, M11, M12, M13, M14)
31	CAP250000370CP	CAP, 25 MFD/370V/ RD (M15, M16)
41	2539307	BLWR SHL ASM 10X10 10X10 (M11, M12, M13, M14, M15, M16)
41	2539305	BLWR SHL ASM 10X6 10X6 (M1, M2, M3, M4)
41	2539306	BLWR SHL ASM 10X8 10X8 (M5, M6, M7, M8, M9, M10)
51	764741	BLWR BLK-OFF,10X10 (M11, M12, M13, M14, M15, M16)
51	764739	BLWR BLK-OFF,10X6 (M1, M2, M3, M4)
51	764740	BLWR BLK-OFF,10X8 (M5, M6, M7, M8, M9, M10)
61	B1368034	BLOWER WHEEL (10 X 6) (M1, M2, M3, M4)
61	B1368058	Blower Wheel (10 X 8) (M7, M8)
61	B1368000	BLOWER WHEEL (11 X 10) (M15, M16)
61	0150M00042	WHEEL, BLOWER (10 X 10) (M11, M12, M13, M14)
61	0150M00043	WHEEL, BLOWER (10 X 8) (M5, M6, M9, M10)
71	0131F00042	MOTOR, 1/2HP, 4SP, 6PL (M5, M6, M9, M10)
71	0131F00043	MOTOR, 1/2HP, 4SP, 6PL (M11, M12, M13, M14)
71	0131F00041	MOTOR, 1/3HP, 4SP, 6PL (M1, M2, M3, M4, M7, M8)
71	20046618	MOTOR-BLOW 3/4 HP (M15, M16)
81	M0250558	TC SCREW (QTY 3)
91	1815817	CONTROL MOUNT PANEL
101	0130F00038	AUX LIMIT - LT BLUE 120°

Expanded Model Nomenclature

M1 - DM80HS0403AXAB
M2 - DM80HS0403AXAC
M3 - DM80HS0603AXAB
M4 - DM80HS0603AXAC
M5 - DM80HS0604BXAB
M6 - DM80HS0604BXAC
M7 - DM80HS0803BXAB
M8 - DM80HS0803BXAC
M9 - DM80HS0804BXAB
M10 - DM80HS0804BXAC
M11 - DM80HS0805CXAB
M12 - DM80HS0805CXAC
M13 - DM80HS1005CXAB
M14 - DM80HS1005CXAC
M15 - DM80HS1205DXAB
M16 - DM80HS1405DXAB

Heat Exchange Assembly



Heat Exchange Assembly

Ref. Part No: No:	Description:	Ref. Part No: No:	Description:
Image 1:		Image 1:	
11	0270F00931 HEAT EXCHANGER ASSY (M1, M2)	201	DY6.186.070 VENT MOTOR CAPACITOR
11	0270F00932 HEAT EXCHANGER ASSY (M3, M4)	NS	0259M00005 ADAPTER HARNESS
11	0270F00933 HEAT EXCHANGER ASSY (M5, M6)	NS	0259F00050 KIT, WIRE HYBRID FURN
11	0270F00934 HEAT EXCHANGER ASSY (M7, M8, M9, M10)	NS	0259F00073 WIRE HARNESS ASSY (M11, M13)
11	0270F00935 HEAT EXCHANGER ASSY (M11, M12)	NS	0259F00085 WIRE HARNESS ASSY (M1, M3, M5, M7, M9)
11	0270F00936 HEAT EXCHANGER ASSY (M13, M14)	NS	0259F00274 WIRE HARNESS ASSY (M2, M4, M6, M8, M10)
11	0270F00937 HEAT EXCHANGER ASSY (M15, M16)	NS	0259F00275 WIRE HARNESS ASSY (M12, M14, M15, M16)
21	0121F00333 21" COLLECTOR BOX 1.75" DIA (M11, M12, M14)	NS	0159F00060 WIRE HARNESS ASSY., IGNITOR
21	0121F00330 24.5" COLLECTOR BOX 2.125" DIA (M15)	Expanded Model Nomenclature	
21	0121F00217 COLLECTOR BOX (M13)	M1	DM80HS0403AXAB
21	0121F00126 COLLECTOR BOX 14" 1.375 DIA (M1, M2)	M2	DM80HS0403AXAC
21	0121F00128 COLLECTOR BOX 17.5" 1.75 DIA (M5, M6, M7, M8, M9, M10)	M3	DM80HS0603AXAB
21	0121F00131 COLLECTOR BOX 24.5" 3.5 DIA (M16)	M4	DM80HS0603AXAC
21	0121F00198 COLLECTOR BOX, 14" 1.75 DIA (M3, M4)	M5	DM80HS0604BXAB
31	0128F00006 CHIMNEY TRANSITION BOTTOM	M6	DM80HS0604BXAC
41	0131M00002P MOTOR, VENT 80+	M7	DM80HS0803BXAB
51	0151M00027 GAS VALVE (M2, M4, M6, M8, M10, M12, M14, M15, M16)	M8	DM80HS0803BXAC
51	0151M00028 VALVE,GAS(HW)VR92 (M1, M3, M5, M7, M9, M11, M13)	M9	DM80HS0804BXAB
61	0120F00006 MANIFOLD (M1, M2)	M10	DM80HS0804BXAC
61	0120F00007 MANIFOLD (M3, M4, M5, M6)	M11	DM80HS0805CXAB
61	0120F00008 MANIFOLD (M7, M8, M9, M10, M11, M12)	M12	DM80HS0805CXAC
61	0120F00009 MANIFOLD (M13, M14)	M13	DM80HS1005CXAB
61	0120F00010 MANIFOLD (M15, M16)	M14	DM80HS1005CXAC
71	0163F00018 ORIFICE, #43 DRILL, Green (M16)	M15	DM80HS1205DXAB
71	10716005 ORIFICE, #45 DRILL (M1, M2, M3, M4, M5, M6, M7, M8, M9, M10, M11, M12, M13, M14, M15)	M16	DM80HS1405DXAB
81	B4022700 INSHOT BURNER ASSY 3" (QTY 2)		
91	0121F00167 BURNER RACK, 2 CELL (M1, M2)		
91	0121F00168 BURNER RACK, 3 CELL (M3, M4, M5, M6)		
91	0121F00169 BURNER RACK, 4 CELL (M7, M8, M9, M10, M11, M12)		
91	0121F00170 BURNER RACK, 5 CELL (M13, M14)		
91	0121F00171 BURNER RACK, 6 CELL (M15, M16)		
101	0121F00162 TOP, BURNER BOX 2 CELL (M1, M2)		
101	0121F00163 TOP, BURNER BOX 3 CELL (M3, M4, M5, M6)		
101	0121F00164 TOP, BURNER BOX 4 CELL (M7, M8, M9, M10, M11, M12)		
101	0121F00165 TOP, BURNER BOX 5 CELL (M13, M14)		
101	0121F00166 TOP, BURNER BOX 6 CELL (M15, M16)		
111	10123529 MANUAL RESET R.O.S. LIMIT (QTY 2)		
121	0121F00146 BURNER BOX SIDE (QTY 2)		
131	0130F00008 SINI IGNITOR		
141	0130F00010 FLAME SENSOR		
151	20162904 *PRIMARY LIMIT-TEMPERATURE CONTROL (M3, M4, M5, M6, M7, M8, M9, M10, M13, M14) *Refer to service bulletin SF-054		
151	20162901 LIMIT (M1, M2)		
151	20162903 PRIMARY LIMIT - BLUE (M11, M12, M15, M16)		
161	4028000 ORIFICE PLATE, 2CELL (M1, M2)		
161	4028001 ORIFICE PLATE, 3CELL (M3, M4, M5, M6)		
161	4028002 ORIFICE PLATE, 4CELL (M7, M8, M9, M10, M11, M12)		
161	4028003 ORIFICE PLATE, 5CELL (M13, M14)		
161	4028004 ORIFICE PLATE, 6CELL (M15, M16)		
171	0154F00003 GASKET-14 INCH (M1, M2, M3, M4)		
171	0154F00004 GASKET-17.5 INCH (M5, M6, M7, M8, M9, M10)		
171	0154F00005 GASKET-21 INCH (M11, M12, M13, M14)		
171	0154F00006 GASKET-24.5 INCH (M15, M16)		