

DM80HE 80% Two Stage Multi-Speed ECM Gas Furnace

DM80HE0603BNAA
DM80HE0603BNAB
DM80HE0603BXAA
DM80HE0603BXAB
DM80HE0805CNAA
DM80HE0805CNAB
DM80HE0805CXAA
DM80HE0805CXAB
DM80HE0805DNAA
DM80HE0805DNAB
DM80HE0805DXAA
DM80HE0805DXAB
DM80HE1005CNAA
DM80HE1005CNAB
DM80HE1005CXAA
DM80HE1005CXAB



This manual is to be used by qualified technicians only.

This manual replaces RP-D2014A.

© 2013 , 2018 **DAIKIN MANUFACTURING COMPANY, L.P** ♦ 5151 San Felipe St, Suite 500 ♦ Houston, TX 77056

Important Information

Index

Functional Parts List	3
Illustration and Parts	4 - 9

Views shown are for parts illustrations only, not servicing procedures.

Text Codes:

AR - As Required

NA - Not Available

NS - Not Shown

00000000 - See Note

QTY - Quantity Example (QTY 3) (If Quantity not shown, Quantity = 1)

M - Model Example (M1) (If M Code not shown, then part is used on all Models)

Expanded Model Nomenclature:

Example M1 - Model#1 M2 - Model#2 M3 - Model#3

Daikin Manufacturing Company, L.P. is not responsible for personal injury or property damage resulting from improper service. Review all service information before beginning repairs.

Warranty service must be performed by an authorized technician, using authorized factory parts. If service is required after the warranty expires, Daikin Manufacturing Company, L.P. also recommends contacting an authorized technician and using authorized factory parts.

Daikin Manufacturing Company, L.P. reserves the right to discontinue, or change at any time, specifications or designs without notice or without incurring obligations.

For assistance within the U.S.A. contact:

Homeowner Support
Daikin North America, LLC
19001 Kermier Road
Waller, Texas 77484
855-770-5678-Telephone
713-863-2382-Facsimile

For assistance outside the U.S.A. contact:

International Division
Daikin North America, LLC
19001 Kermier Road
Waller, Texas 77484
713-861-2500-Telephone
713-863-2382-Facsimile

Functional Parts

Part

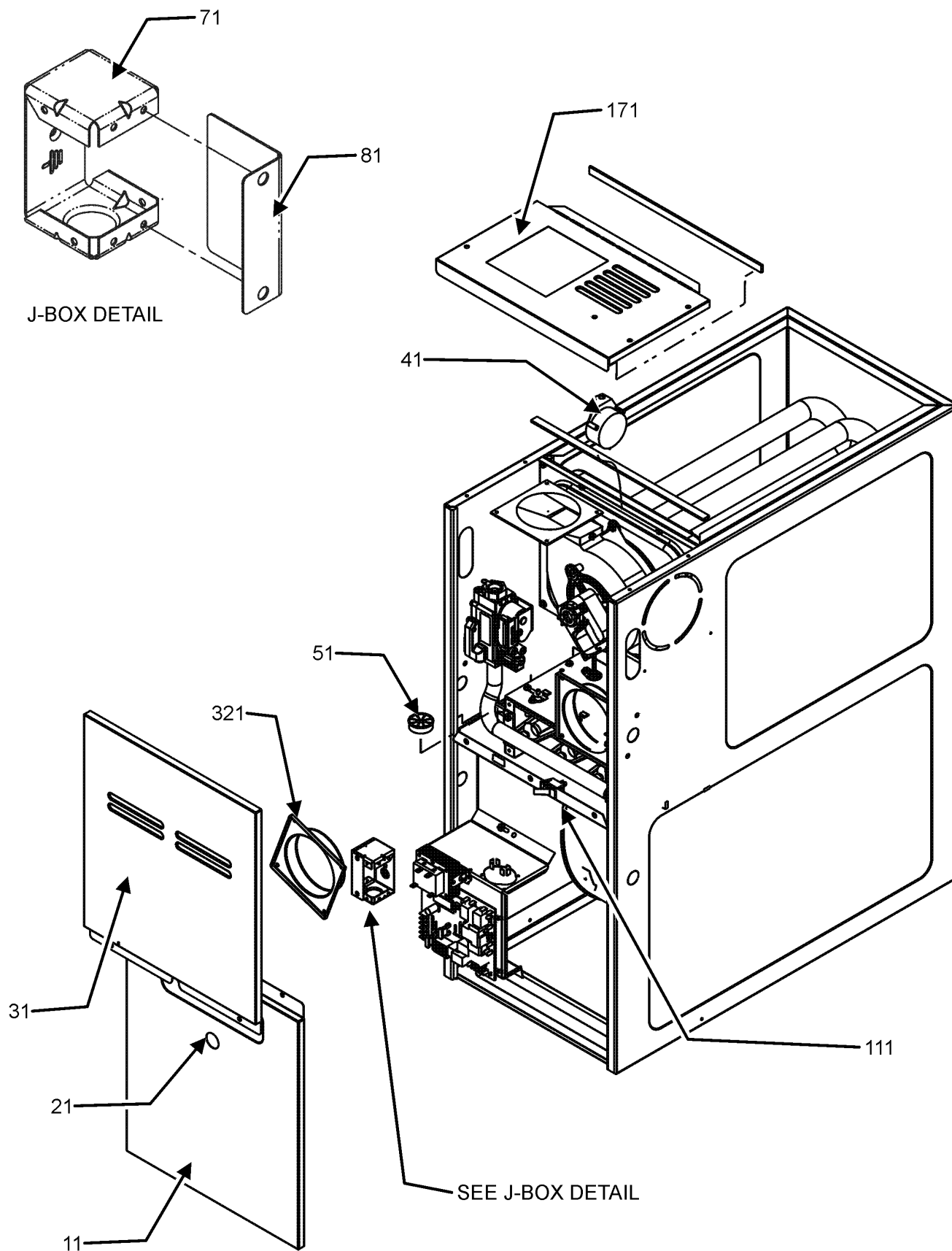
No: Description:

20162904	*PRIMARY LIMIT-TEMPERATURE CONTROL (M1, M2, M3, M4, M13, M14, M15, M16) *Refer to service bulletin SF-054
0130F00042	AIR PRESSURE SWITCH (M9, M10, M11, M12)
B1370158	AIR PRESSURE SWITCH, LIME (M13, M14, M15, M16)
B1370179	AIR PRESSURE SWITCH, PINK (M1, M2, M3, M4, M5, M6, M7, M8)
0130F00010	FLAME SENSOR
0151M00027	GAS VALVE (M2, M4, M6, M8, M10, M12, M14, M16)
10123529	MANUAL RESET R.O.S. LIMIT (QTY 2)
20162903	PRIMARY LIMIT - BLUE (M5, M6, M7, M8, M9, M10, M11, M12)
0130F00008	SINI IGNITOR
10690402	SWITCH-INTERLOCK
0151M00028	VALVE,GAS(HW)VR92 (M1, M3, M5, M7, M9, M11, M13, M15)
0131M00002P	VENT MOTOR

Expanded Model Nomenclature

M1 - DM80HE0603BNAA
M2 - DM80HE0603BNAB
M3 - DM80HE0603BXAA
M4 - DM80HE0603BXAB
M5 - DM80HE0805CNAA
M6 - DM80HE0805CNAB
M7 - DM80HE0805CXAA
M8 - DM80HE0805CXAB
M9 - DM80HE0805DNAA
M10 - DM80HE0805DNAB
M11 - DM80HE0805DXAA
M12 - DM80HE0805DXAB
M13 - DM80HE1005CNAA
M14 - DM80HE1005CNAB
M15 - DM80HE1005CXAA
M16 - DM80HE1005CXAB

CABINET ASSEMBLY



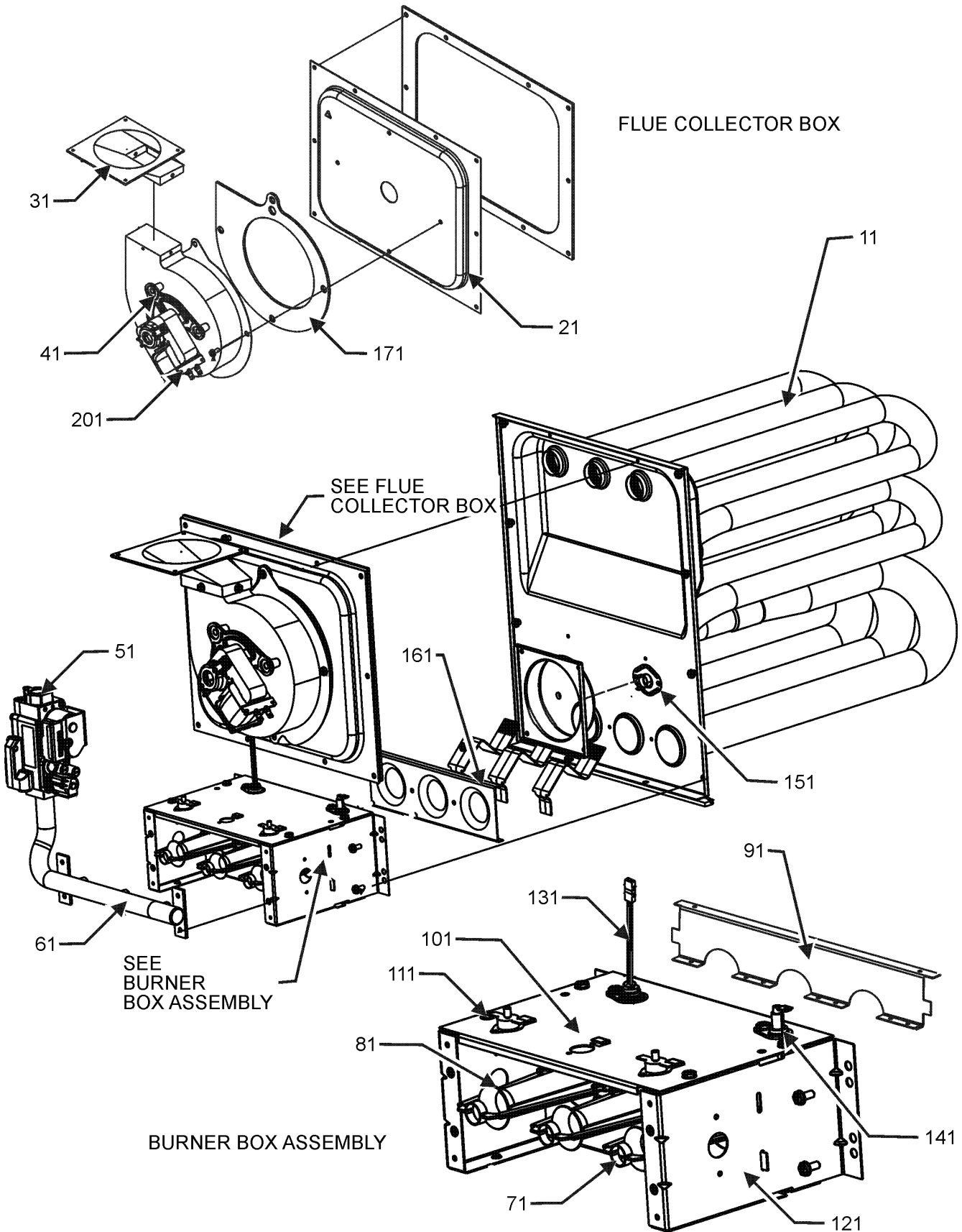
CABINET ASSEMBLY

Ref. Part No:	Part No:	Description:	Ref. Part No:	Part No:	Description:
<i>Image 1:</i>					
11	0121F00123NG	DOOR BLOWER, 17.5" PAINTED (M1, M2, M3, M4)			
11	0121F00124NG	DOOR BLOWER, 21" PAINTED (M5, M6, M7, M8, M13, M14, M15, M16)			
11	0121F00125NG	DOOR BLOWER, 24.5" PAINTED (M9, M10, M11, M12)			
21	B1392139	VIEW PORT BUSHING-BLOWER DOOR			
31	0121F00119NG	DOOR CTRL ACCESS, 17.5" (M1, M2, M3, M4)			
31	0121F00120NG	DOOR CTRL ACCESS, 21" PAINTED (M5, M6, M7, M8, M13, M14, M15, M16)			
31	0121F00121NG	DOOR CTRL ACCESS, 24.5 PAINTED (M9, M10, M11, M12)			
41	0130F00042	AIR PRESSURE SWITCH (M9, M10, M11, M12)			
41	B1370158	AIR PRESSURE SWITCH, LIME (M13, M14, M15, M16)			
41	B1370179	AIR PRESSURE SWITCH, PINK (M1, M2, M3, M4, M5, M6, M7, M8)			
51	B1392147	UNIVERSAL BUSHING WITH SLICE			
71	4014502	J-BOX			
81	4015502	J-BOX COVER			
111	10690402	SWITCH-INTERLOCK			
171	0121F00142DG	TOP, FURNACE 17.5"-PAINTED (M1, M2, M3, M4)			
171	0121F00143DG	TOP, FURNACE 21"-PAINTED (M5, M6, M7, M8, M13, M14, M15, M16)			
171	0121F00463DG	TOP, FURNACE 24.5" PAINTED (M9, M10, M11, M12)			

Expanded Model Nomenclature

M1 - DM80HE0603BNAA
M2 - DM80HE0603BNAB
M3 - DM80HE0603BXAA
M4 - DM80HE0603BXAB
M5 - DM80HE0805CNAA
M6 - DM80HE0805CNAB
M7 - DM80HE0805CXAA
M8 - DM80HE0805CXAB
M9 - DM80HE0805DNAA
M10 - DM80HE0805DNAB
M11 - DM80HE0805DXAA
M12 - DM80HE0805DXAB
M13 - DM80HE1005CNAA
M14 - DM80HE1005CNAB
M15 - DM80HE1005CXAA
M16 - DM80HE1005CXAB

HEAT EXCHANGE ASSEMBLY

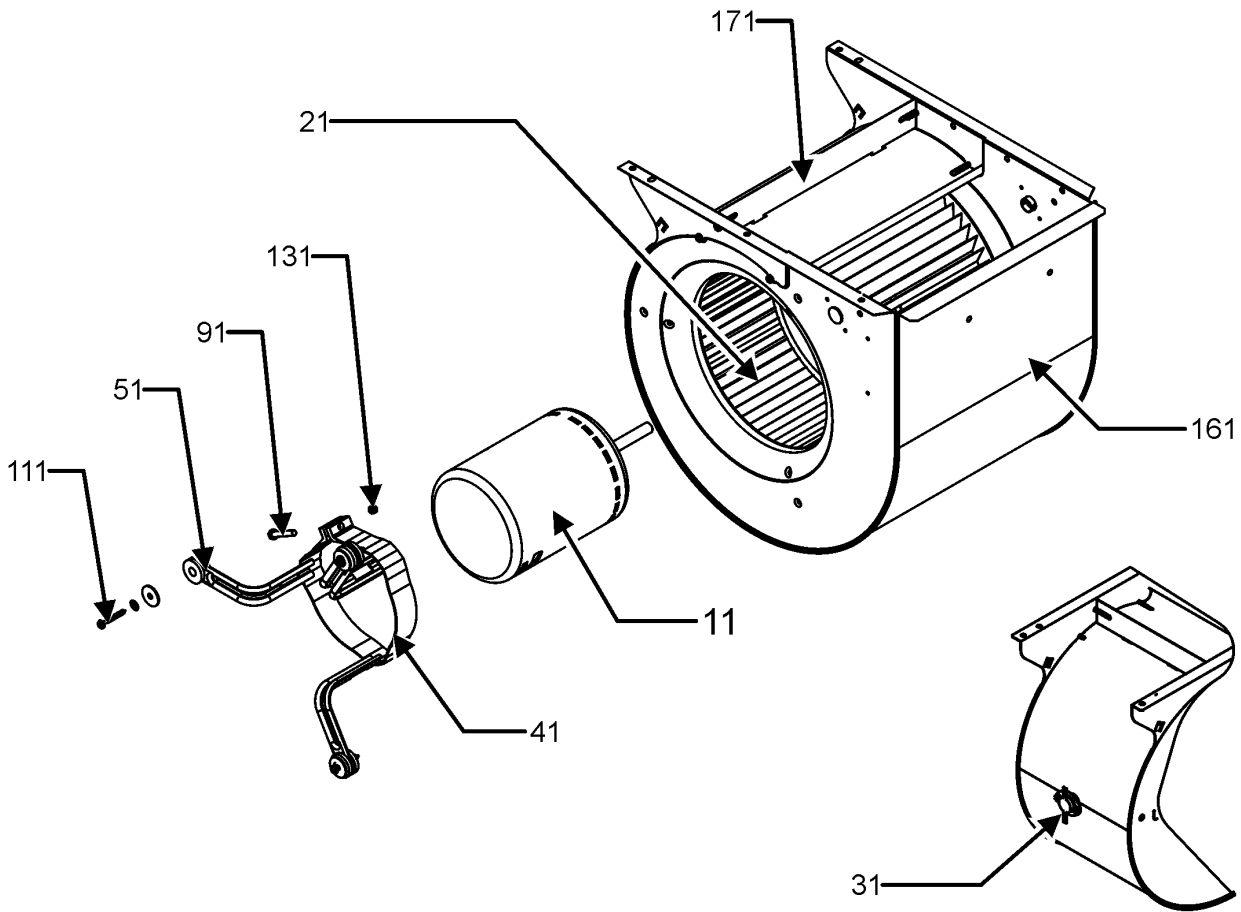


HEAT EXCHANGE ASSEMBLY

Ref. Part No:	Part No:	Description:	Ref. Part No:	Part No:	Description:
<i>Image 1:</i>			Expanded Model Nomenclature		
11	0270F00933	HEAT EXCHANGER ASSY (M1, M2, M3, M4)	M1	-	DM80HE0603BNAA
11	0270F00935	HEAT EXCHANGER ASSY (M5, M6, M7, M8)	M2	-	DM80HE0603BNAB
11	0270F00936	HEAT EXCHANGER ASSY (M13, M14, M15, M16)	M3	-	DM80HE0603BXAA
11	0270F03017	HEAT EXCHANGER ASSY (M9, M10, M11, M12)	M4	-	DM80HE0603BXAB
21	0121F00333	21" COLLECTOR BOX 1.75" DIA (M5, M6, M7, M8, M14, M16)	M5	-	DM80HE0805CNAA
21	0121F00462	21" FLUE COLLECTOR BOX (M9, M10, M11, M12)	M6	-	DM80HE0805CNAB
21	0121F00217	COLLECTOR BOX (M13, M15)	M7	-	DM80HE0805CXAA
21	0121F00128	COLLECTOR BOX 17.5" 1.75 DIA (M1, M2, M3, M4)	M8	-	DM80HE0805CXAB
31	0128F00006	CHIMNEY TRANSITION BOTTOM	M9	-	DM80HE0805DNAA
41	0131M00002P	VENT MOTOR	M10	-	DM80HE0805DNAB
51	0151M00027	GAS VALVE (M2, M4, M6, M8, M10, M12, M14, M16)	M11	-	DM80HE0805DXAA
51	0151M00028	VALVE,GAS(HW)VR92 (M1, M3, M5, M7, M9, M11, M13, M15)	M12	-	DM80HE0805DXAB
61	0120F00007	MANIFOLD (M1, M2, M3, M4)	M13	-	DM80HE1005CNAA
61	0120F00008	MANIFOLD (M5, M6, M7, M8, M9, M10, M11, M12)	M14	-	DM80HE1005CNAB
61	0120F00009	MANIFOLD (M13, M14, M15, M16)	M15	-	DM80HE1005CXAA
71	10716005	ORIFICE, #45 DRILL (QTY 3)	M16	-	DM80HE1005CXAB
81	B4022700	INSHOT BURNER ASSY 3" (QTY 3)			
91	0121F00168	BURNER RACK, 3 CELL (M1, M2, M3, M4)			
91	0121F00169	BURNER RACK, 4 CELL (M5, M6, M7, M8, M9, M10, M11, M12)			
91	0121F00170	BURNER RACK, 5 CELL (M13, M14, M15, M16)			
101	0121F00163	TOP, BURNER BOX 3 CELL (M1, M2, M3, M4)			
101	0121F00164	TOP, BURNER BOX 4 CELL (M5, M6, M7, M8, M9, M10, M11, M12)			
101	0121F00165	TOP, BURNER BOX 5 CELL (M13, M14, M15, M16)			
111	10123529	MANUAL RESET R.O.S. LIMIT (QTY 2)			
121	0121F00146	BURNER BOX SIDE (QTY 2)			
131	0130F00008	SINI IGNITOR			
141	0130F00010	FLAME SENSOR			
151	20162904	*PRIMARY LIMIT-TEMPERATURE CONTROL (M1, M2, M3, M4, M13, M14, M15, M16) *Refer to service bulletin SF-054			
151	20162903	PRIMARY LIMIT - BLUE (M5, M6, M7, M8, M9, M10, M11, M12)			
161	4028001	ORIFICE PLATE, 3CELL (M1, M2, M3, M4)			
161	4028002	ORIFICE PLATE, 4CELL (M5, M6, M7, M8, M9, M10, M11, M12)			
161	4028003	ORIFICE PLATE, 5CELL (M13, M14, M15, M16)			
171	0154F00004	GASKET-17.5 INCH (M1, M2, M3, M4)			
171	0154F00005	GASKET-21 INCH (M5, M6, M7, M8, M9, M10, M11, M12, M13, M14, M15, M16)			
201	DY6.186.070	VENT MOTOR CAPACITOR			
NS	0259M00005	ADAPTER HARNESS			
NS	0130M00073	ECOTECH POWER HARNESS			
NS	0259F00073	WIRE HARNESS ASSY (M5, M7, M9, M11, M13, M15)			
NS	0259F00085	WIRE HARNESS ASSY (M1, M3)			
NS	0259F00274	WIRE HARNESS ASSY (M2, M4)			
NS	0259F00275	WIRE HARNESS ASSY (M6, M8, M10, M12, M14, M16)			
NS	0159F00060	WIRE HARNESS ASSY. , IGNITOR			

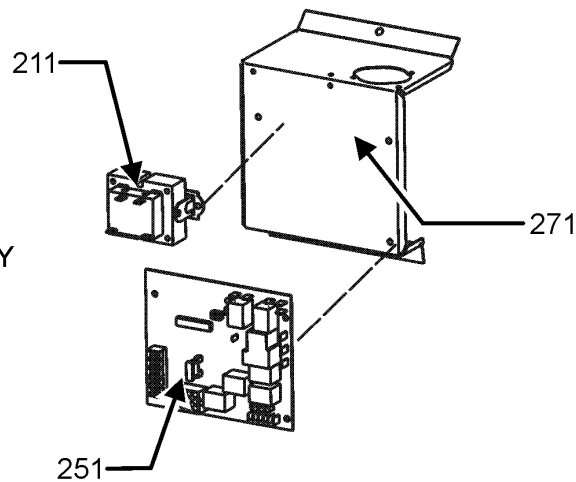
BLOWER AND CONTROL PANEL ASSEMBLY

BLOWER ASSEMBLY



BLOWER HOUSING ASSEMBLY
BACK VIEW

CONTROL PANEL ASSEMBLY



BLOWER AND CONTROL PANEL ASSEMBLY

Ref. Part No: No:	Description:	Ref. Part No: No:	Description:
Image 1:			
11	0131M00176		MOTOR (M1, M2, M3, M4)
11	0131M00177		MOTOR (M5, M6, M7, M8)
11	0131M00178		MOTOR (M13, M14, M15, M16)
11	0131M00482		MOTOR, 115V. 1HP PROG (M9, M10, M11, M12)
21	B1368047		BLOWER WHEEL (10 X 10) (M5, M6, M7, M8, M9, M10, M11, M12, M13, M14, M15, M16)
21	B1368016		WHEEL, BLOWER, 10X8 (M1, M2, M3, M4)
31	0130F00038		PRIMARY LIMIT - LT BLUE 120°
41	0121M00038		MOTOR MOUNT BAND
51	B1376853		MOTOR MOUNT ARM (QTY 3)
91	0163M00320		HEX HEAD ALL THREAD TAP BOLT
111	M0250565		TC SCREW 1.25" (QTY 3)
131	B1393800		LOCKNUT, NYLON, INSERT 1/4, 20
161	2539307		BLWR SHL ASM 10X10 10X10 (M5, M6, M7, M8, M9, M10, M11, M12, M13, M14, M15, M16)
161	2539306		BLWR SHL ASM 10X8 10X8 (M1, M2, M3, M4)
171	764741		BLWR BLK-OFF,10X10 (M5, M6, M7, M8, M9, M10, M11, M12, M13, M14, M15, M16)
171	764740		BLWR BLK-OFF,10X8 (M1, M2, M3, M4)
211	0130M00140		TRANSFORMER 120V TO 24V, 40 VA
251	PCBBF132		PCB 2STAGE HYBRID FURNACE CNTL
271	1815817		CONTROL MOUNT PANEL
NS	0130M00072		ECOTECH LOW VOLTAGE WIRE HARNE
NS	0130M00073		ECOTECH POWER HARNESS

Expanded Model Nomenclature

M1 - DM80HE0603BNAA
M2 - DM80HE0603BNAB
M3 - DM80HE0603BXAA
M4 - DM80HE0603BXAB
M5 - DM80HE0805CNAA
M6 - DM80HE0805CNAB
M7 - DM80HE0805CXAA
M8 - DM80HE0805CXAB
M9 - DM80HE0805DNAA
M10 - DM80HE0805DNAB
M11 - DM80HE0805DXAA
M12 - DM80HE0805DXAB
M13 - DM80HE1005CNAA
M14 - DM80HE1005CNAB
M15 - DM80HE1005CXAA
M16 - DM80HE1005CXAB