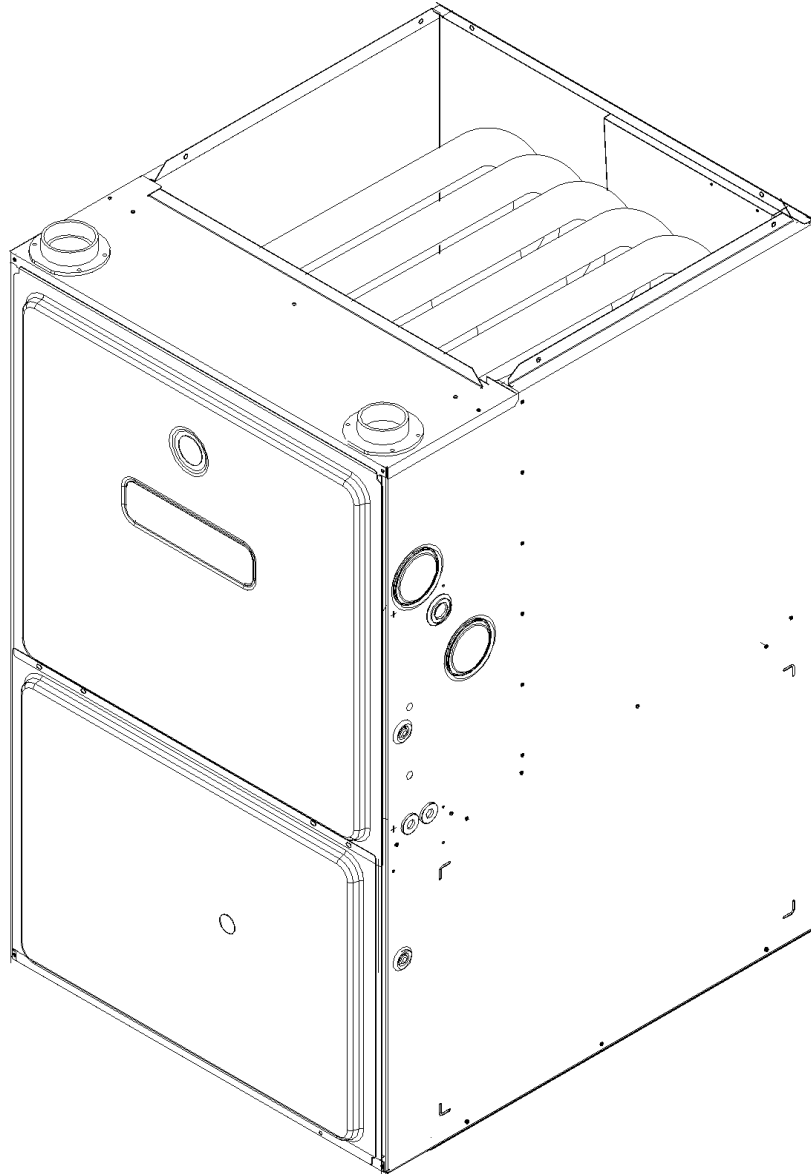


## DK92SS Single Stage PSC Upflow Furnace

DK92SS0453BXAA  
DK92SS0703BXAA  
DK92SS0704CXAA  
DK92SS0904CXAA  
DK92SS0905DXAA  
DK92SS1155DXAA



This manual is to be used by qualified technicians only.

© 2013 Daikin Company, L.P. ♦ 5151 San Felipe St., Suite 500 ♦ Houston, TX 77056

# Important Information

---

## Index

Functional Parts List .....	3
Illustration and Parts .....	4 - 11

*Views shown are for parts illustrations only, not servicing procedures*

Introduction of Daikin products.  
11/18/13: Updated blower wheel B1368047A to B1368047

### Text Codes:

- AR - As Required
- NA - Not Available
- NS - Not Shown
- 00000000 - See Note
- QTY - Quantity Example (QTY 3) (If Quantity not shown, Quantity = 1)
- M - Model Example (M1) (If M Code not shown, then part is used on all Models)

### Expanded Model Nomenclature:

Example M1 - Model#1 M2 - Model#2 M3 - Model#3
---

Daikin Company, L.P. is not responsible for personal injury or property damage resulting from improper service. Review all service information before beginning repairs.

Warranty service must be performed by an authorized technician, using authorized factory parts. If service is required after the warranty expires, Daikin Company, L.P. also recommends contacting an authorized technician and using authorized factory parts.

Daikin Company, L.P. reserves the right to discontinue, or change at any time, specifications or designs without notice or without incurring obligations.

For assistance within the U.S.A. contact:  
Consumer Affairs Department  
Daikin North America, LLC  
7401 Security Way  
Houston, Texas 77040  
855-770-5678-Telephone  
713-863-2382-Facsimile

For assistance outside the U.S.A. contact:  
International Division  
Daikin North America, LLC  
7401 Security Way  
Houston, Texas 77040  
713-861-2500-Telephone  
713-863-2382-Facsimile

# Functional Parts

## Part

## No: Description:

---

10735102	BECKETT BURNER (QTY A/R)
0131F00022	BLOWER MOTOR 1/2 HP, 4 SP, 6 PL (M3, M4)
0131F00020	BLOWER MOTOR 1/3 HP, 4 SP, 6 PL (M1, M2)
10759415	BLOWER MOTOR 3/4 HP, 4 SP, 8 PL (M5, M6)
D6723311	BLOWER WHEEL (M5, M6)
B1368047	BLOWER WHEEL 10 X 10 (M3, M4)
B1368058	BLOWER WHEEL 10 X 8 (M1, M2)
CAP125000370VA	CAPACITOR 12.5/370V (M1, M2)
CAP150000370VA	CAPACITOR 15/370V (M5, M6)
CAP200000370VA	CAPACITOR 20/370V (M3, M4)
0130F00010	FLAME SENSOR
20165703	IGNITOR
B1370818	INTERLOCK SWITCH
10123519	MANUAL RESET LIMIT (M6)
10123535	MANUAL RESET LIMIT-RED (M1, M2, M3, M4, M5)
10123533	MANUAL RESET LIMIT-YELLOW
PCBBF123	PCB, IGNITION, HSI, INTEG
0130F00001P	PRESSURE SWITCH-GRAY (M1)
0130F00002P	PRESSURE SWITCH-OLIVE (M4)
0130F00004	PRESSURE SWITCH-RED (M5)
0130F00000P	PRESSURE SWITCH-SUNGOLD (M2, M3, M6)
20162903	PRIMARY LIMIT - BLUE (M2, M3, M5)
20162906	PRIMARY LIMIT - WHITE (M6)
20162904	PRIMARY LIMIT-TEMPERATURE CONTROL (M1, M4)
0130M00140	TRANSFORMER 120V TO 24V, 40 VA
0151M00013	VALVE, GAS (HW) SINGLE STAGE

### SPECIAL PARTS

0161F00039 DAIKIN NAMEPLATE

#### Expanded Model Nomenclature

M1 - DK92SS0453BXAA
M2 - DK92SS0703BXAA
M3 - DK92SS0704CXAA
M4 - DK92SS0904CXAA
M5 - DK92SS0905DXAA
M6 - DK92SS1155DXAA

# Cabinet

Image 1

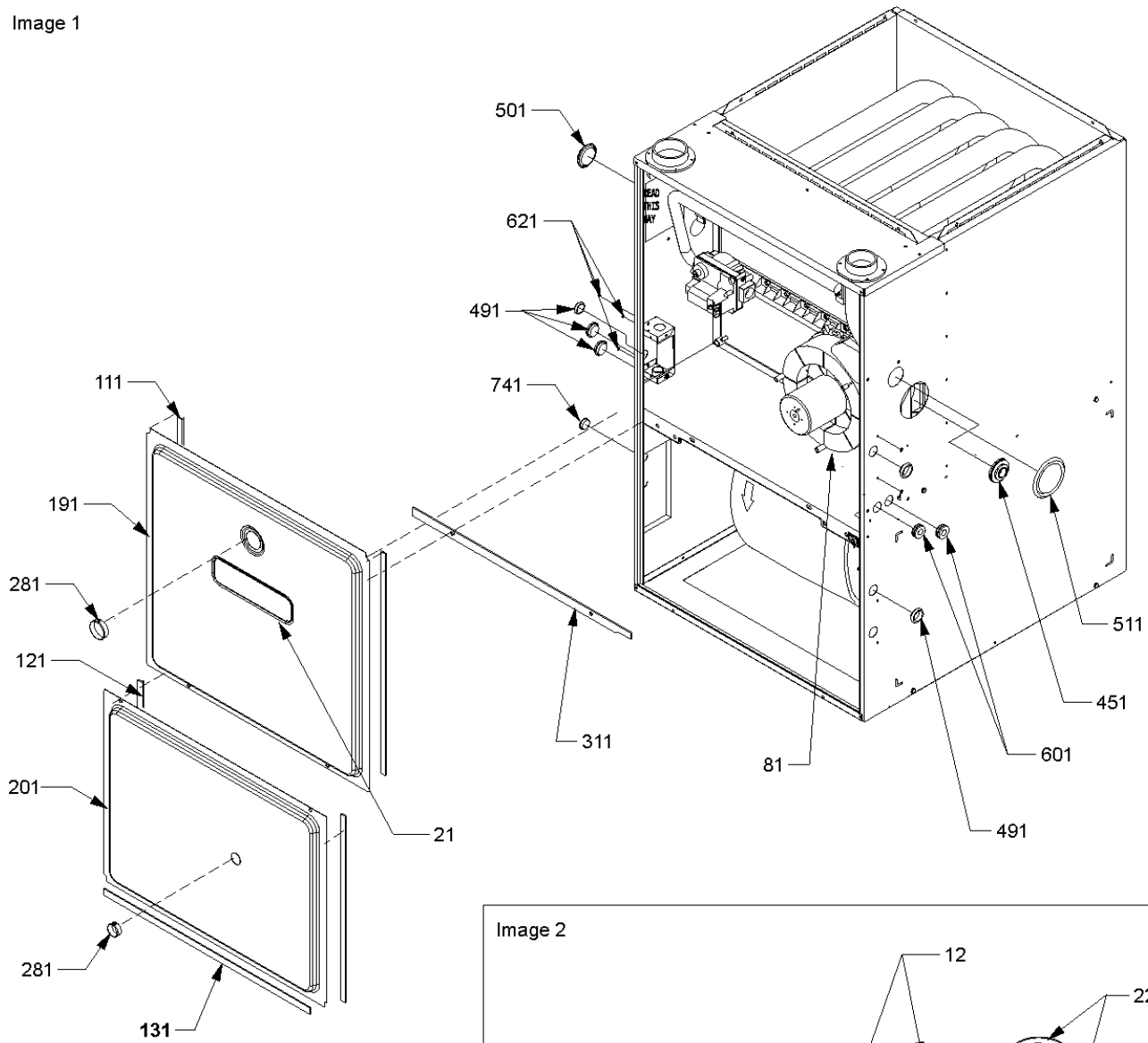
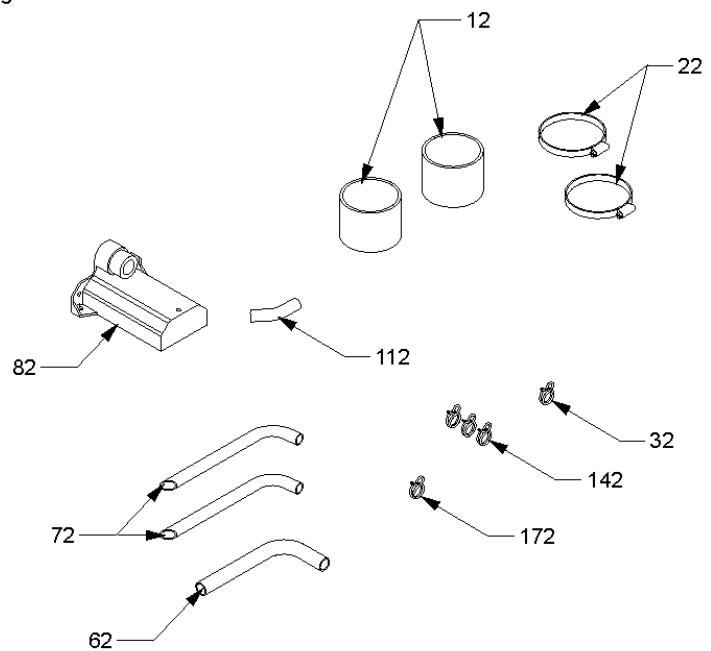


Image 2



# Cabinet

Ref. Part No: No:	Description:	Ref. Part No: No:	Description:
-------------------	--------------	-------------------	--------------

*Image 1:*

21	0161F00039	DAIKIN NAMEPLATE
81	20201902	DRAIN HOSE
111	20179308	GASKET (QTY 2)
121	20179311	GASKET (QTY 2)
131	20179312	GASKET (M3, M4)
131	20179313	GASKET (M5, M6)
191	0121F00066NG	ACCESS DOOR (M1, M2)
191	0121F00067NG	ACCESS DOOR (M3, M4)
191	0121F00068NG	ACCESS DOOR (M5, M6)
201	0121F00063NG	BLOWER DOOR (M1, M2)
201	0121F00064NG	BLOWER DOOR (M3, M4)
201	0121F00065NG	BLOWER DOOR (M5, M6)
281	B1392139	VIEW PORT BUSHING-BLOWER DOOR (QTY 2)
311	22320001	DECK GASKET (M1, M2)
311	22320002	DECK GASKET (M3, M4)
311	22320003	DECK GASKET (M5, M6)
451	M0501301	PIPE GROMMET
491	M0570808	BUTTON PLUG (QTY 4)
501	M0570806	BUTTON PLUG
511	M0570807	BUTTON PLUG
601	A4691701	GROMMET (QTY 2)
621	M0310345	BUTTON PLUG (QTY 2)
741	B1392104	UNIVERSAL BUSHING UB 875
NS	0270F00399	STANDPIPE BAG ASSY

*Image 2:*

12	10254303	RUBBER COUPLING
22	0163M00049	HOSE CLAMP (QTY 2)
32	M0119207	HOSE CLAMP
62	20201901	DRAIN HOSE
72	20201802	DRAIN TUBE (QTY 2)
82	20171701	DRAIN TRAP
112	20214203	DRAIN ANGLE
142	M0119205	HOSE CLAMP (QTY 3)
172	M0119206	HOSE CLAMP

Expanded Model Nomenclature

M1 - DK92SS0453BXAA
M2 - DK92SS0703BXAA
M3 - DK92SS0704CXAA
M4 - DK92SS0904CXAA
M5 - DK92SS0905DXAA
M6 - DK92SS1155DXAA

# Blower Assembly

Image 1

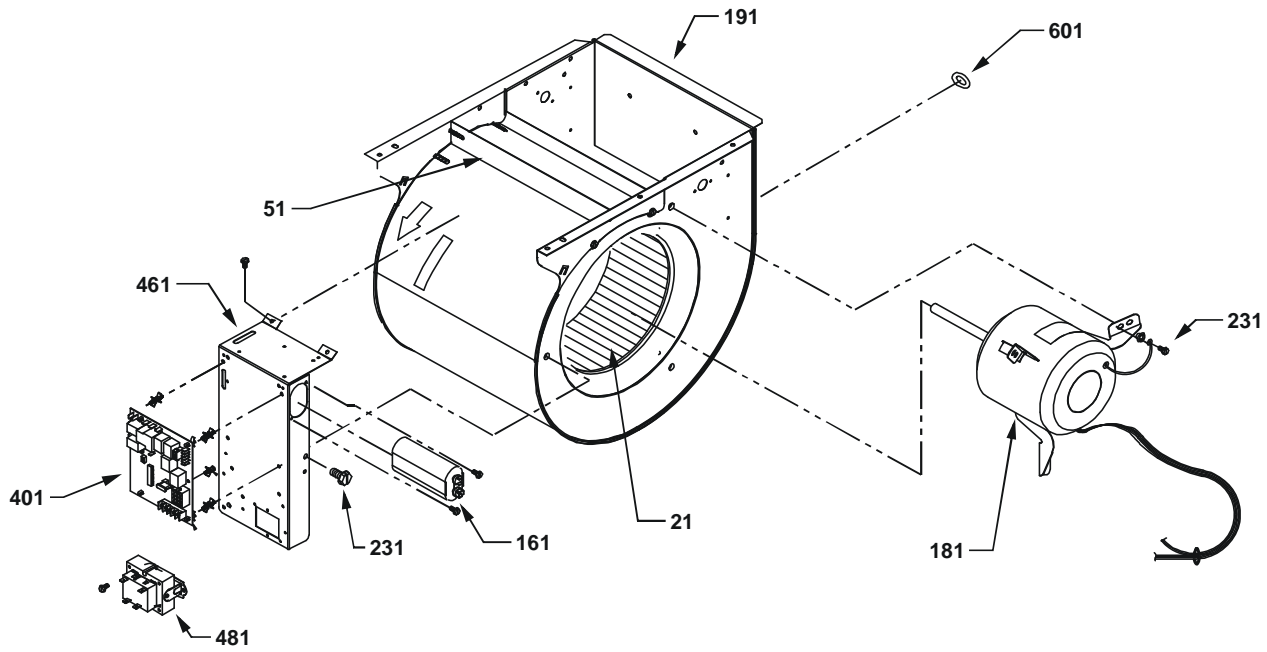
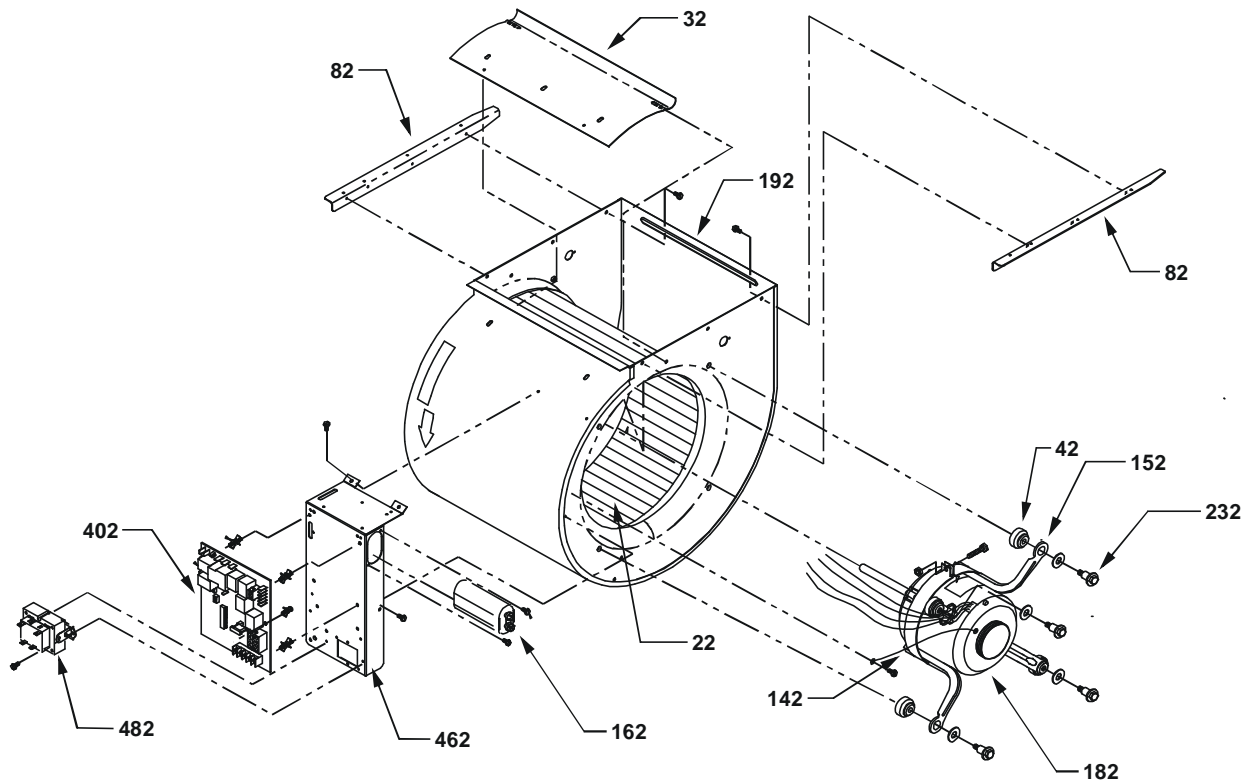


Image 2



# Blower Assembly

Ref. Part No:	Part No:	Description:	Ref. Part No:	Part No:	Description:
---------------	----------	--------------	---------------	----------	--------------

*Image 1:*

21	B1368047	BLOWER WHEEL 10 X 10 (M3, M4)
21	B1368058	BLOWER WHEEL 10 X 8 (M1, M2)
51	764741F	BLOWER BLOCK-OFF 10 X 10 (M3, M4)
51	764740	BLOWER BLOCK-OFF 10 X 8 (M1, M2)
161	CAP125000370VA	CAPACITOR 12.5/370V (M1, M2)
161	CAP200000370VA	CAPACITOR 20/370V (M3, M4)
181	0131F00022	BLOWER MOTOR 1/2 HP, 4 SP, 6 PL (M3, M4)
181	0131F00020	BLOWER MOTOR 1/3 HP, 4 SP, 6 PL (M1, M2)
191	0271F00003P	BLOWER HOUSING ASSY 10 X 10 (M3, M4)
191	0271F00000P	BLOWER HOUSING ASSY 10 X 8 (M1, M2)
231	M0250558	TC SCREW (M1, M2, M3, M4)
401	PCBBF123	PCB, IGNITION, HSI, INTEG (M1, M2, M3, M4)
461	0121F00025P	CONTROL BRACKET (M1, M2, M3, M4)
481	0130M00140	TRANSFORMER 120V TO 24V, 40 VA (M1, M2, M3, M4)
601	B1392021	PLASTIC PLUG, 1" (2713-BLK) (M1, M2, M3, M4)

*Image 2:*

22	D6723311	BLOWER WHEEL (M5, M6)
32	C6121807S	BLOWER CUT-OFF (M5, M6)
42	A4002702	BLOWER MOTOR GROMMET (M5, M6)
82	20175101	BLOWER SIDE RAIL (M5, M6)
142	10441601	MOTOR MOUNT BAND (M5, M6)
152	10441501	MOTOR MOUNT ARM (M5, M6)
162	CAP150000370VA	CAPACITOR 15/370V (M5, M6)
182	10759415	BLOWER MOTOR 3/4 HP, 4 SP, 8 PL (M5, M6)
192	0271F00048	BLOWER HOUSING ASSY 11 X 10 (M5, M6)
232	M0221461	TC SCREW (M5, M6)
402	PCBBF123	PCB, IGNITION, HSI, INTEG (M5, M6)
462	0121F00025P	CONTROL BRACKET (M5, M6)
482	0130M00140	TRANSFORMER 120V TO 24V, 40 VA (M5, M6)

Expanded Model Nomenclature

M1 - DK92SS0453BXAA
M2 - DK92SS0703BXAA
M3 - DK92SS0704CXAA
M4 - DK92SS0904CXAA
M5 - DK92SS0905DXAA
M6 - DK92SS1155DXAA

# Chassis

Image 1

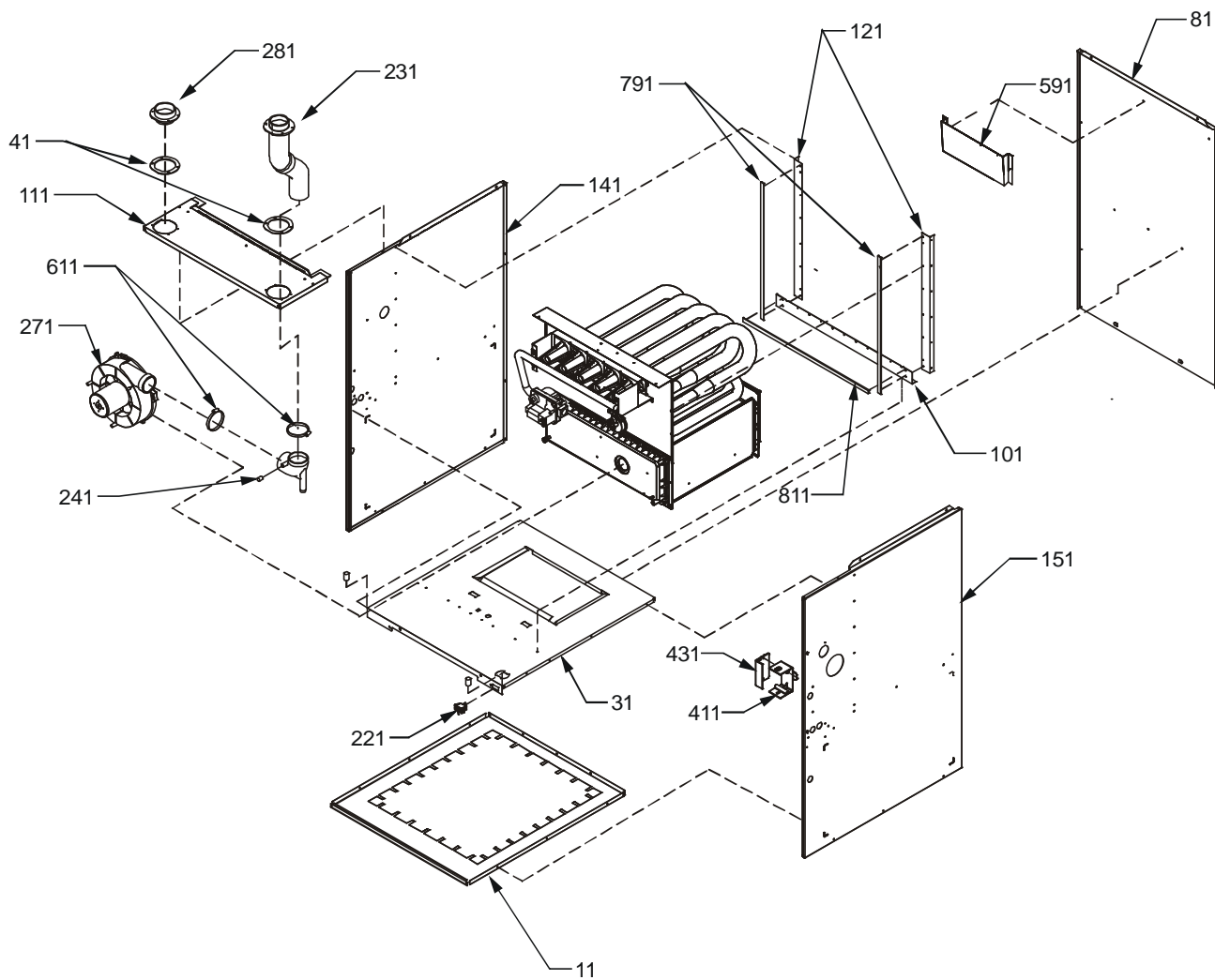
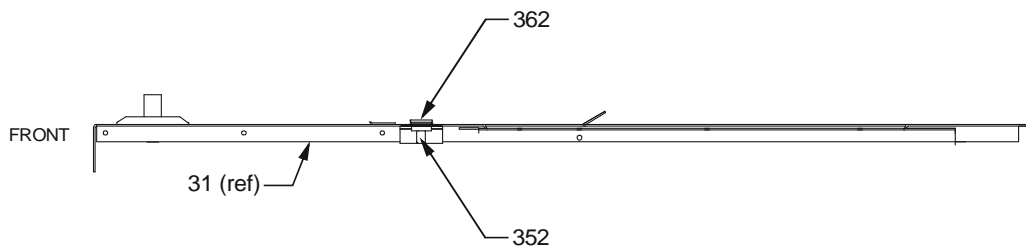


Image 2



# Chassis

Ref. Part No: No:	Description:	Ref. Part No: No:	Description:
-------------------	--------------	-------------------	--------------

*Image 1:*

11	0121F00050DG	BASE PAN (M1, M2)
11	0121F00051DG	BASE PAN (M3, M4)
11	0121F00052DG	BASE PAN (M5, M6)
31	0121F00043	BLOWER DECK (M1, M2)
31	0121F00045	BLOWER DECK (M3, M4)
31	0121F00048	BLOWER DECK (M5, M6)
41	0154F00000P	COIL GASKET (M1, M2)
41	0154F00001P	COIL GASKET (M3, M4)
41	0154F00002P	COIL GASKET (M5, M6)
81	20273208	BACK PANEL (M1, M2)
81	20273210	BACK PANEL (M3, M4)
81	20273212	BACK PANEL (M5, M6)
101	0121F00018P	DECK RAIL (M1, M2)
101	0121F00019P	DECK RAIL (M3, M4)
101	20191303	DECK RAIL (M5, M6)
111	0270F00100P	TOP COVER ASSY (M1, M2)
111	0270F00101P	TOP COVER ASSY (M3, M4)
111	0270F00102P	TOP COVER ASSY (M5, M6)
121	20191602	SIDE RAIL (M1, M2)
121	20191603	SIDE RAIL (M3, M4)
121	20191604	SIDE RAIL (M5, M6)
141	0121F00429DG	SIDE PANEL LH
151	0121F00428DG	SIDE PANEL RH
221	B1370818	INTERLOCK SWITCH
231	22309501	FLUE PIPE
241	20171802	ELBOW
271	0171M00000	BLOWER-ID
281	20049701	FA COUPLING
411	0161F00012	JUNCTION BOX
431	0161F00013	JUNCTION BOX COVER
591	11165107	ID BLOWER SHIELD
611	0163M00049	HOSE CLAMP (QTY 2)
791	20194605	GASKET (M1, M2)
791	20194606	GASKET (M3, M4)
791	20194607	GASKET (M5, M6)
811	20194608	GASKET (QTY 2)
NS	C6415909	HEAT EXCHANGER INSULATION (M5, M6)
NS	C6415910	HEAT EXCHANGER INSULATION (M1, M2)
NS	C6415911	HEAT EXCHANGER INSULATION (M3, M4)
NS	0159F00003	WIRING HARNESS

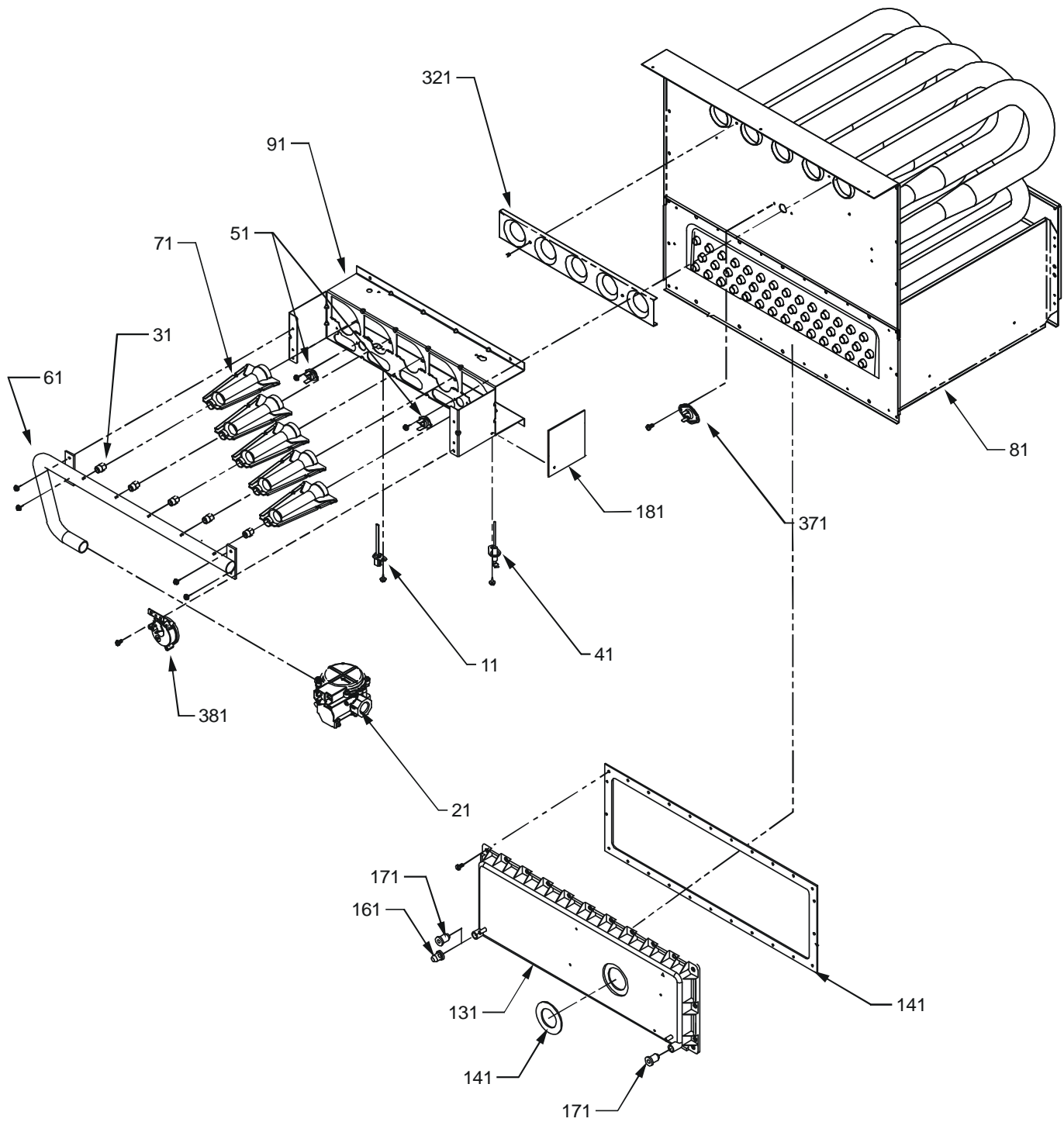
*Image 2:*

352	10861101	AUXILIARY LIMIT BRACKET
362	10123519	MANUAL RESET LIMIT (M6)
362	10123535	MANUAL RESET LIMIT-RED (M1, M2, M3, M4, M5)

Expanded Model Nomenclature

M1 - DK92SS0453BXAA
M2 - DK92SS0703BXAA
M3 - DK92SS0704CXAA
M4 - DK92SS0904CXAA
M5 - DK92SS0905DXAA
M6 - DK92SS1155DXAA

# Heat Exchanger / Manifold / Gas Valve



# Heat Exchanger / Manifold / Gas Valve

Ref. Part No: No:	Description:	Ref. Part No: No:	Description:
-------------------	--------------	-------------------	--------------

Image 1:

11	20165703	IGNITOR
21	0151M00013	VALVE, GAS (HW) SINGLE STAGE
31	10716003	ORIFICE (QTY 2)
41	0130F00010	FLAME SENSOR
51	10123533	MANUAL RESET LIMIT-YELLOW
61	20196401	MANIFOLD - 2 BRNR (M1)
61	20196402	MANIFOLD - 3 BRNR (M2, M3)
61	20196403	MANIFOLD - 4 BRNR (M4, M5)
61	20196404	MANIFOLD - 5 BRNR (M6)
71	10735102	BECKETT BURNER (QTY A/R)
81	0257F00316	HEAT EXCHANGER ASSY (M1)
81	0257F00317	HEAT EXCHANGER ASSY (M2)
81	0257F00318	HEAT EXCHANGER ASSY (M3)
81	0257F00319	HEAT EXCHANGER ASSY (M4)
81	0257F00320	HEAT EXCHANGER ASSY (M5)
81	0257F00321	HEAT EXCHANGER ASSY (M6)
91	20190410	BURNER BRACKET 2B (M1)
91	20190411	BURNER BRACKET 3B (M2, M3)
91	20190412	BURNER BRACKET 4B (M4, M5)
91	20190413	BURNER BRACKET 5B (M6)
131	20170802A	COVER-FRONT (M2)
131	20170901A	COVER-FRONT (M3)
131	20170904A	COVER-FRONT (M4)
131	20171002A	COVER-FRONT (M6)
131	20170807A	FRONT COVER (M1)
131	20171001A	FRONT COVER (M5)
141	0154F00000P	COIL GASKET (M1, M2)
141	0154F00001P	COIL GASKET (M3, M4)
141	0154F00002P	COIL GASKET (M5, M6)
161	M0326804	TUBE PLUG (QTY 2)
171	A1781105	CAP-VINYL .500 (QTY 2)
181	0121F00172	DEFLECTOR-HEAT (M2)
321	11072201	ORIFICE SHIELD (M1)
321	11072202	ORIFICE SHIELD (M2, M3)
321	11072203	ORIFICE SHIELD (M4, M5)
321	11072204	ORIFICE SHIELD (M6)
371	20162903	PRIMARY LIMIT - BLUE (M2, M3, M5)
371	20162906	PRIMARY LIMIT - WHITE (M6)
371	20162904	PRIMARY LIMIT-TEMPERATURE CONTROL (M1, M4)
381	0130F00001P	PRESSURE SWITCH-GRAY (M1)
381	0130F00002P	PRESSURE SWITCH-OLIVE (M4)
381	0130F00004	PRESSURE SWITCH-RED (M5)
381	0130F00000P	PRESSURE SWITCH-SUNGOLD (M2, M3, M6)
NS	0164M00009	PRESSURE SWITCH HOSE

Expanded Model Nomenclature

M1 - DK92SS0453BXAA
M2 - DK92SS0703BXAA
M3 - DK92SS0704CXAA
M4 - DK92SS0904CXAA
M5 - DK92SS0905DXAA
M6 - DK92SS1155DXAA