

DFH 3 Ton Direct Drive Commercial Package Heat Pump

DFH0361D000001SAA
DFH0363D000001SAA
DFH0364D000001SAA
DFH0367D000001SAA



This manual is to be used by qualified technicians only.

Important Information

Index

Functional Parts List	3
Illustration and Parts	4 - 15

Views shown are for parts illustrations only, not servicing procedures.

Text Codes:

AR - As Required

NA - Not Available

NS - Not Shown

00000000 - See Note

QTY - Quantity Example (QTY 3) (If Quantity not shown, Quantity = 1)

M - Model Example (M1) (If M Code not shown, then part is used on all Models)

Expanded Model Nomenclature:

Example
M1 - Model#1
M2 - Model#2
M3 - Model#3

Daikin Comfort Technologies Manufacturing , L.P. is not responsible for personal injury or property damage resulting from improper service. Review all service information before beginning repairs.

Warranty service must be performed by an authorized technician, using authorized factory parts. If service is required after the warranty expires, Daikin Comfort Technologies Manufacturing , L.P. also recommends contacting an authorized technician and using authorized factory parts.

Daikin Comfort Technologies Manufacturing , L.P. reserves the right to discontinue, or change at any time, specifications or designs without notice or without incurring obligations.

For assistance within the U.S.A. contact:
Equipment Support
Daikin Comfort Technologies Manufacturing , L.P.
19001 Kermier Road
Waller, Texas 77484
855-770-5678-Telephone
713-863-2382-Facsimile

For assistance outside the U.S.A. contact:
International Division
Daikin Comfort Technologies Manufacturing , L.P.
19001 Kermier Road
Waller, Texas 77484
713-861-2500-Telephone
713-863-2382-Facsimile

Functional Parts

Part

No: Description:

0251L00149	ASSY EXPANSION VALVE
0251L00150	ASSY EXPANSION VALVE
10625733	BLADE-FAN 22" ALUM CCW
CAP050000370LA	CAP, 5 MFD/370V/OVAL (M2)
CAB050450440CT	CAP, 5/45 MFD/440V RD - BPRF (M1)
CAP030000440LA	CAPACITOR (M4)
CAP040000370VA	CAPACITOR (M3)
ZP31K5ETFE130	COMP, 31100,575/60/3 (M4)
ZP31K5ETF5130	COMP, 31200,200/230/60/3 (M2)
ZP31K5EPFV130	COMP,31100,208/230/60/1 (M1)
ZP31K5ETFD130	COMP,31200,460/60/3 (M3)
CONT2P025024V	CONT, 2 POLE, 25 AMP, 24 VAC (QTY 2)
CONT2P040024V	CONT, 2 POLE, 40 AMP, 24 VAC (M1)
CONT3P025024V	CONT, 3 POLE, 25 AMP, 24 VAC (M4)
CONT3P030024V	CONT, 3 POLE, 30 AMP, 24 VAC (M2, M3, M4)
0130M00099	CONTROL DEFOST
0130M00178	DPDT RELAY 24VAC (QTY 2)
0130L00208	HEATER, CRANKCASE 240V, 40W (M1, M2)
0130L00210	HEATER, CRANKCASE 480V, 40W (M3)
0130L00212	HEATER, CRANKCASE 575V, 40W (M4)
0131M00962	MOTOR 1/6H.P., 1SP, 8PL (M3)
0131M00963	MOTOR 1/6H.P., 1SP, 8PL (M4)
0131M00964	MOTOR 1/6H.P., 1SP, 8PL (M1, M2)
PCBDM133	PCB DEFROST CONTROL
0131L00470	PROGRAMMED, MOTOR (M1, M2)
0131L00471	PROGRAMMED, MOTOR (M3, M4)
10135604	RELAY
0151R00071	REVERSING VALVE
0130M00199	SWITCH, CRANK CASE HEATER
0130M00730	SWITCH, HIGH PRESSURE
0130M00733	SWITCH, LOW PRESSURE
0130M00038	TERMINAL BOARD
0130L00205	TRANSFORMER (M1, M2)
0130L00206	TRANSFORMER (M3)
0130L00207	TRANSFORMER (M4)

SPECIAL PARTS

RP-EHX[B,D]** ACCESSORY RP MANUAL

RP-FIOPSC* ACCESSORY RP MANUAL

Expanded Model Nomenclature

M1 - DFH0361D000001SAA

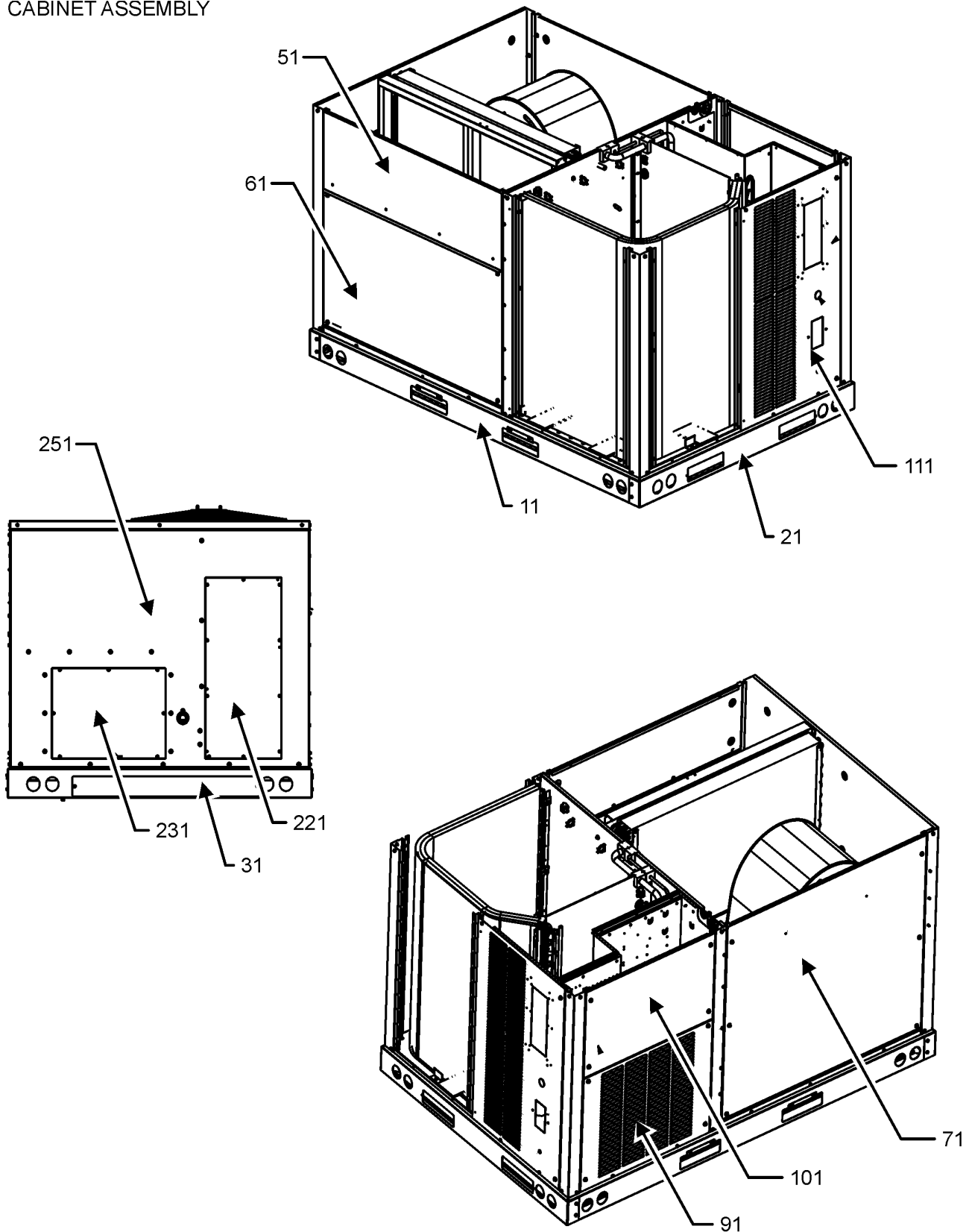
M2 - DFH0363D000001SAA

M3 - DFH0364D000001SAA

M4 - DFH0367D000001SAA

CABINET ASSEMBLY

CABINET ASSEMBLY



CABINET ASSEMBLY MAY DIFFER FROM WHAT IS SHOWN

CABINET ASSEMBLY

Ref. Part No: No:	Description:	Ref. Part No: No:	Description:
------------------------------	---------------------	------------------------------	---------------------

Image 1:

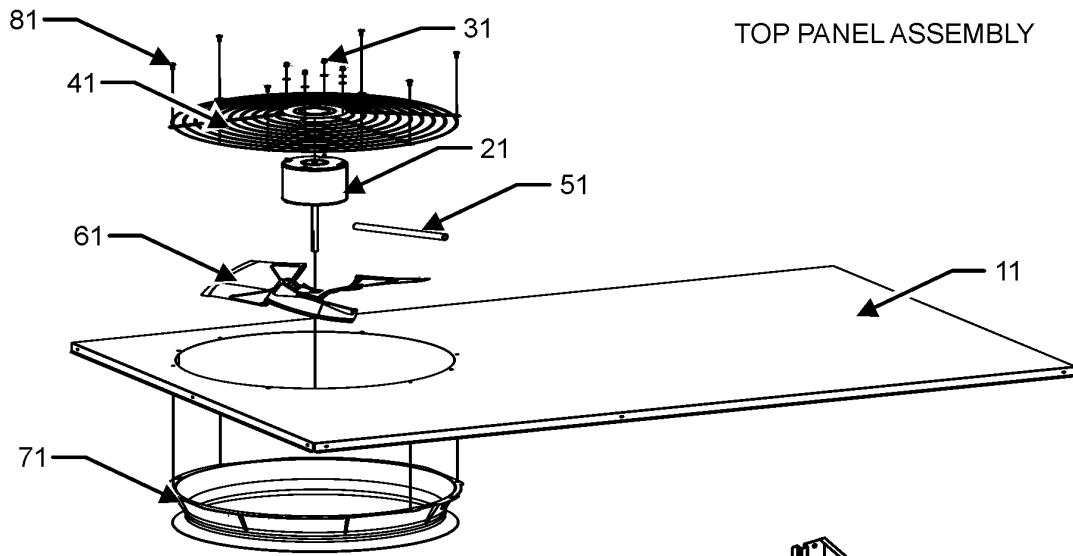
11	0121L04850	RAIL, SIDE (QTY 2)
21	0121L01621	END RAIL
31	0121L04776	END RAIL
51	0121L01734SB	PAINTED FILTER PANEL
61	0121L01651SB	PAINTED ECONOMIZER PANEL
71	0121L04851SB	PAINTED, PANEL, BLOWER
91	0121L02263SB	PAINTED COMPRESSOR PANEL
101	0121L02262SB	PAINTED CONTROL BOX PANEL
111	0121L03642SB	PAINTED, COMPRESSOR BACK PANEL
221	0121L02910SB	PAINTED COVER-DUCT RETURN
231	0121L02911SB	PAINTED COVER-DUCT SUPPLY
251	0121L03336SB	PAINTED, DUCT PANEL
NS	0163M00097	SCREW WASHERED (QTY 15)

Expanded Model Nomenclature

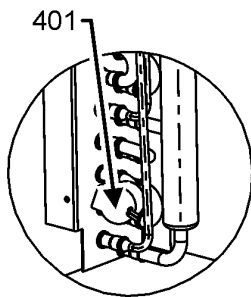
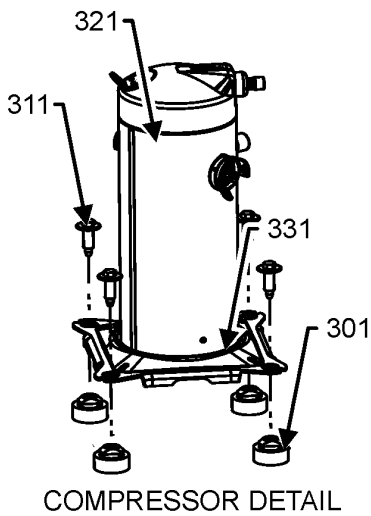
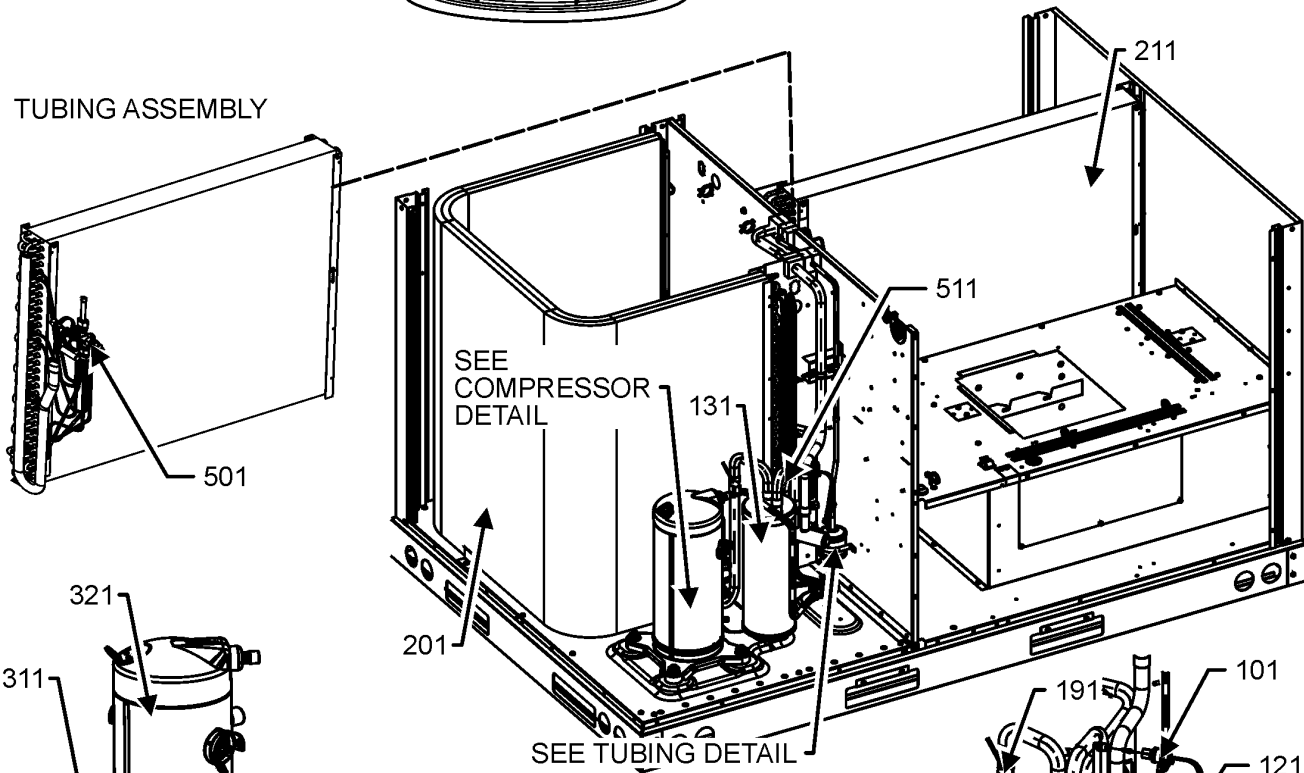
M1 - DFH0361D000001SAA
M2 - DFH0363D000001SAA
M3 - DFH0364D000001SAA
M4 - DFH0367D000001SAA

TOP PANEL AND TUBING ASSEMBLY

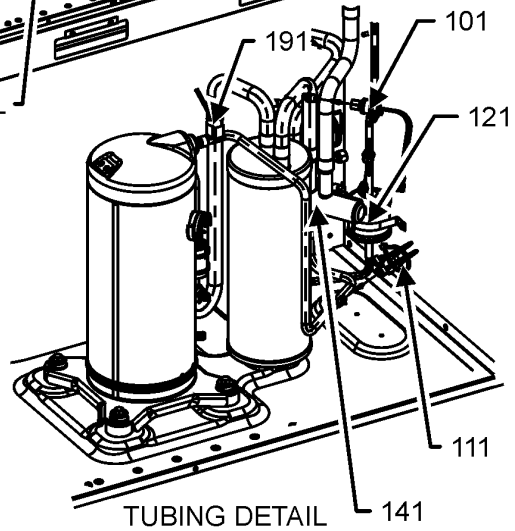
TOP PANEL ASSEMBLY



TUBING ASSEMBLY



LOCATED ON
CONDENSER
COIL RETURN BEND



TOP PANEL AND TUBING ASSEMBLY

Ref. Part No: No:	Description:	Ref. Part No: No:	Description:
-------------------	--------------	-------------------	--------------

Image 1:

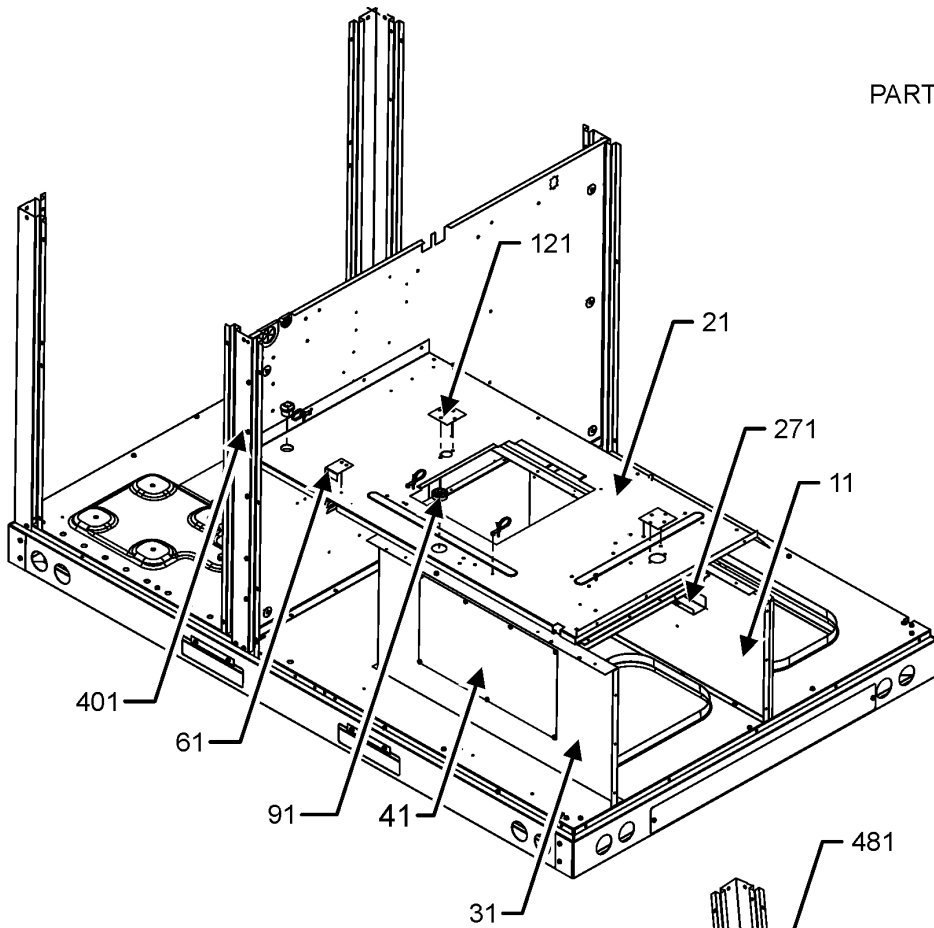
11	0121L01626SB	PAINTED, TOP PANEL
21	0131M00962	MOTOR 1/6H.P., 1SP, 8PL (M3)
21	0131M00963	MOTOR 1/6H.P., 1SP, 8PL (M4)
21	0131M00964	MOTOR 1/6H.P., 1SP, 8PL (M1, M2)
31	0163M00006P	ACORN NUT 5/16 HEX BLACK (QTY 4)
41	0152G00000	FAN GRILLE, RAISED
51	0161R00003P	CONDUIT
61	10625733	BLADE-FAN 22" ALUM CCW
71	0161L00015	RING, VENTURI 22"
81	0163M00004	SCREW #10X3/4", BLACK (QTY 8)
101	0130M00733	SWITCH, LOW PRESSURE
111	0130M00730	SWITCH, HIGH PRESSURE
121	0162R00056	FILTER/DRIER-BI-FLOW
131	B1226207	ACCUMULATOR
141	0151R00071	REVERSING VALVE
191	0130M00199	SWITCH, CRANK CASE HEATER
201	0201L00949	ASSY., OD COIL TUBING
211	0202L00612	ASSY ID COIL TUBING
301	B1339533	COMPRESSOR GROMMET (QTY 4)
311	B1393740	COMP. BOLT & SLEEVE (QTY 4)
321	ZP31K5ETFE130	COMP, 31100,575/60/3 (M4)
321	ZP31K5ETF5130	COMP, 31200,200/230/60/3 (M2)
321	ZP31K5EPFV130	COMP,31100,208/230/60/1 (M1)
321	ZP31K5ETFD130	COMP,31200,460/60/3 (M3)
331	0130L00208	HEATER, CRANKCASE 240V, 40W (M1, M2)
331	0130L00210	HEATER, CRANKCASE 480V, 40W (M3)
331	0130L00212	HEATER, CRANKCASE 575V, 40W (M4)
401	0130M00099	CONTROL DEROST
501	0251L00149	ASSY EXPANSION VALVE
511	0251L00150	ASSY EXPANSION VALVE
NS	0141L00003X	BOARD-FORK (QTY 2)
NS	0159L00027	COMPRESSOR SCROLL HARNESS (M1)
NS	0159L00065	Harness, comp scroll (M2, M3, M4)
NS	0121L02003	OD COIL BLOCKOFF
NS	0121L03516	PNL, BRACKET, FORK BOARD (QTY 4)
NS	B1225022	SOLENOID COIL
NS	0151M00104	VALVE CORE (QTY 2)
NS	M0272803	WASHER LOCK
NS	0163M00005P	WASHER, BLACK (.50 OD .218ID) (QTY 4)

Expanded Model Nomenclature

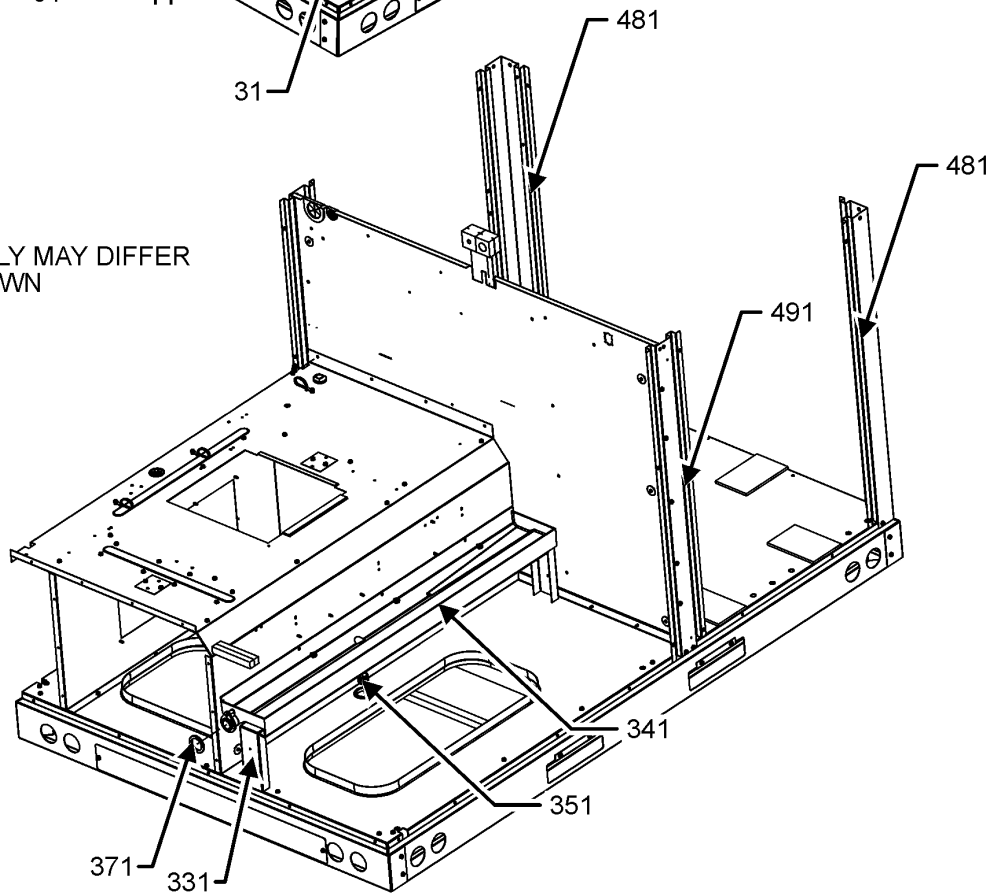
- | |
|------------------------|
| M1 - DFH0361D000001SAA |
| M2 - DFH0363D000001SAA |
| M3 - DFH0364D000001SAA |
| M4 - DFH0367D000001SAA |

PARTITION ASSEMBLY

PARTITION ASSEMBLY



PARTITION ASSEMBLY MAY DIFFER FROM WHAT IS SHOWN



PARTITION ASSEMBLY

Ref. Part No: No:	Description:	Ref. Part No: No:	Description:
----------------------	--------------	----------------------	--------------

Image 1:

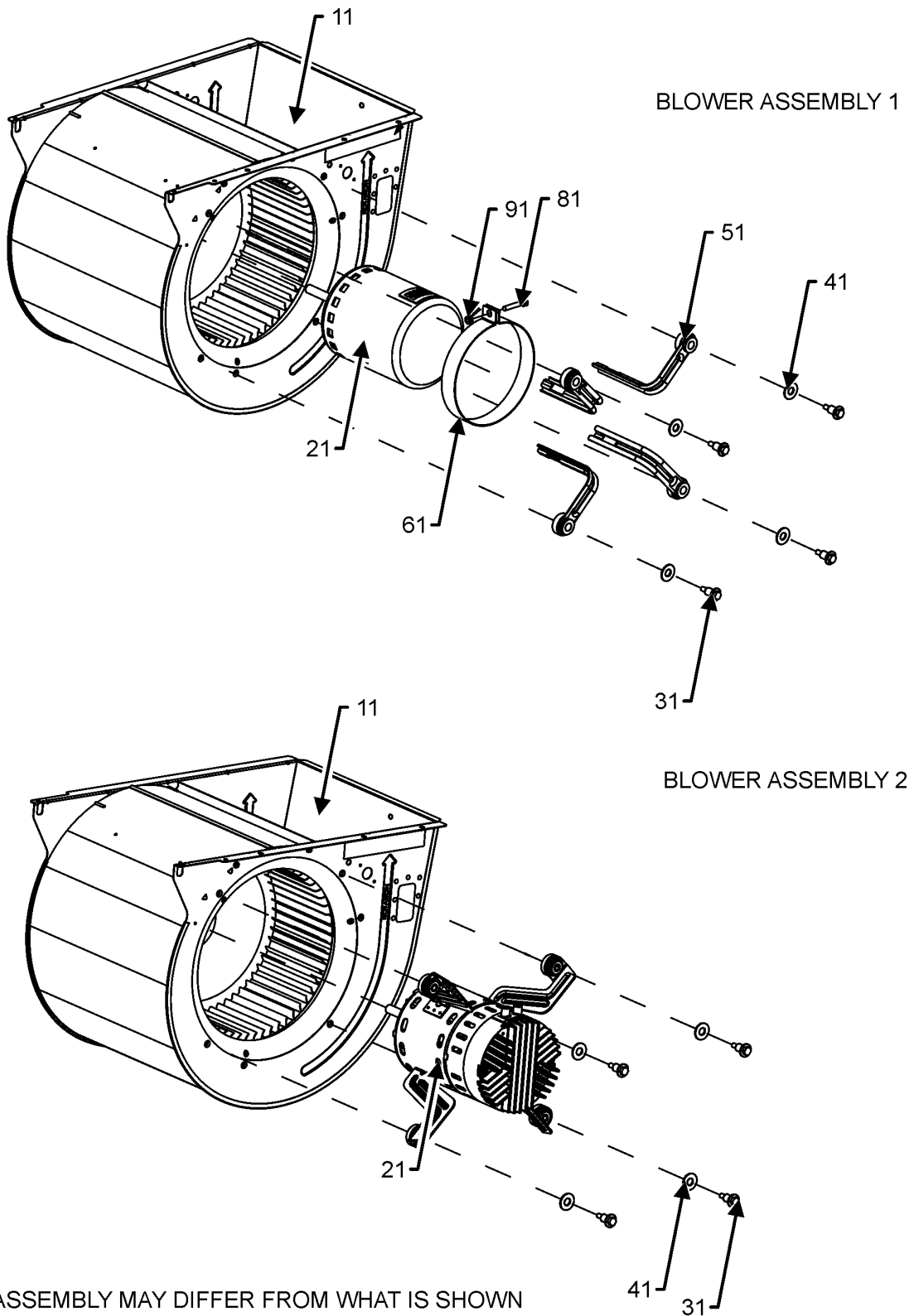
11	0121L02584	BLOWER DECK SIDE
21	0121L04695	PANEL, BLOWER DECK
31	0121L04424	HEAT KIT BOX
41	0121L00144	COVER-ELECTRIC HEAT
61	0121L01709	BLOWER DECK PLATE
91	B1392147	UNIVERSIAL BUSHING WITH SLICE
121	0121L00321	COVER-SMOKE DETECTOR (QTY 2)
271	0121L02633	BLOWER DECK U-BRACKET
331	0121L01729	DRAINPAN SUPPORT
341	0161L00007	DRAIN PAN, EVAPORATOR 3-5 TON
351	0163L00071	PLUG, DRAIN
371	0154L00180	GASKET, DRAIN PAN
401	0121L03442SB	PAINTED, SIDE POST
481	0121L01728SB	PAINTED CORNER POST (QTY 2)
491	0121L04180SB	PAINTED, SIDE POST
NS	0160L00173	AIR FILTER (QTY 4)
NS	0164M00111	GROMMET-D
NS	0164G00005	GROMMET-HORSESHOW 1.675
NS	0121L01954	OD COIL BLOCKOFF ANGLE
NS	0121L03515	RETAINER - ELECTRIC HEAT

Expanded Model Nomenclature

M1 - DFH0361D000001SAA
M2 - DFH0363D000001SAA
M3 - DFH0364D000001SAA
M4 - DFH0367D000001SAA

BLOWER ASSEMBLY

BLOWER ASSEMBLY



BLOWER ASSEMBLY MAY DIFFER FROM WHAT IS SHOWN

BLOWER ASSEMBLY

Ref. Part No:	No:	Description:	Ref. Part No:	No:	Description:
---------------	-----	--------------	---------------	-----	--------------

Image 1:

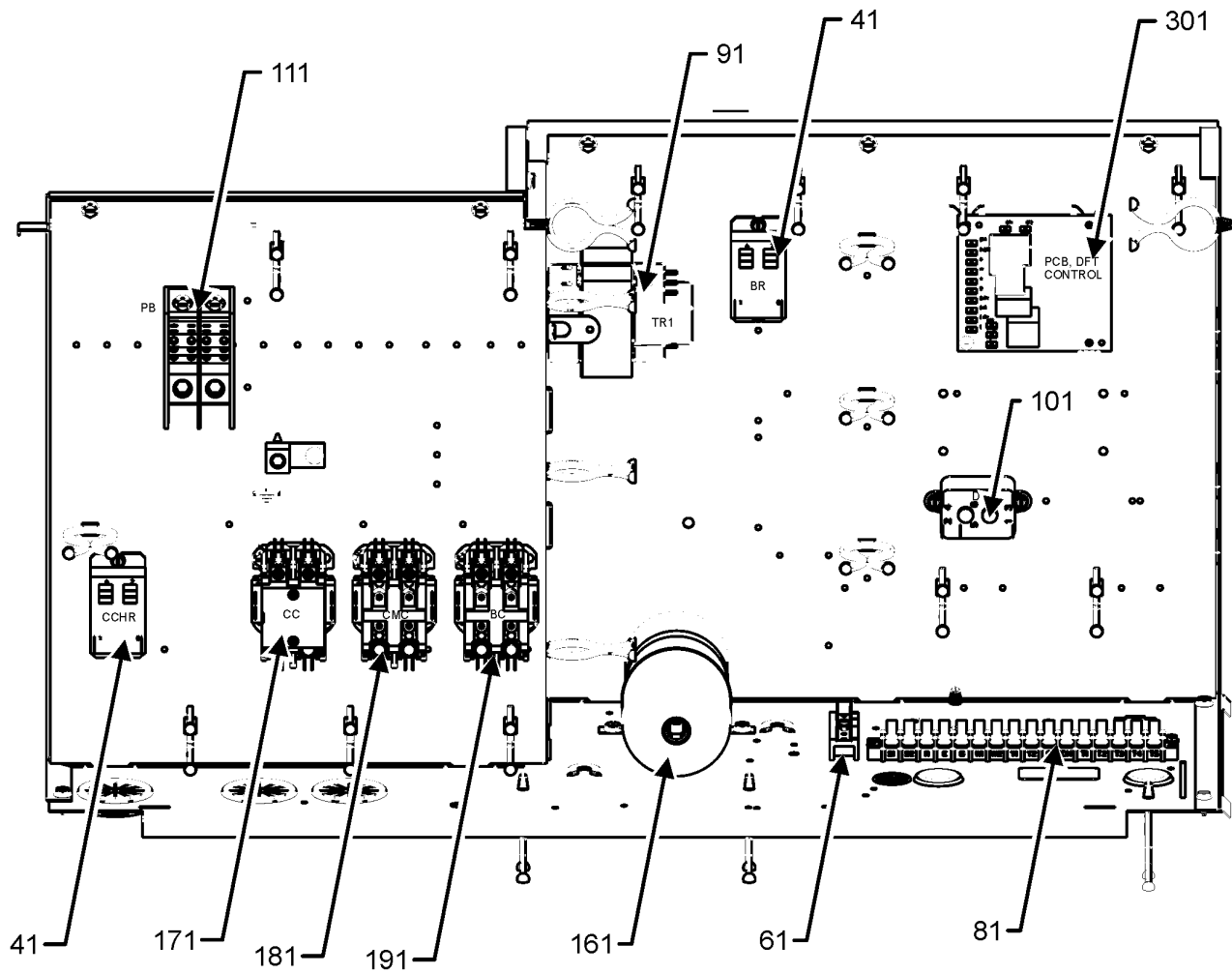
11	0271L00137	ASSY., BLOWER HOUSING (M3, M4)
11	0271L00133	ASSY., HOUSING, BLWR (M1, M2)
21	0131L00470	PROGRAMMED, MOTOR (M1, M2)
21	0131L00471	PROGRAMMED, MOTOR (M3, M4)
31	M0250565	SCREW-TC 1.25" (QTY 4)
41	B1392918	WASHER, FLAT 1/4 ID X 1 OD (QTY 4)
51	0163A00008	MOTOR MOUNTING ARM (M1, M2)
61	10441601	BAND-MTR MOUNT (M1, M2)
81	M0267144	SCREW-MACH (M1, M2)
91	M0282015	NUT-KEPS (M1, M2)

Expanded Model Nomenclature

M1 - DFH0361D000001SAA
M2 - DFH0363D000001SAA
M3 - DFH0364D000001SAA
M4 - DFH0367D000001SAA

CONTROL BOX ASSEMBLY

CONTROL BOX ASSEMBLY



CONTROL BOX ASSEMBLY MAY DIFFER FROM WHAT IS SHOWN

CONTROL BOX ASSEMBLY

Ref. Part No:	Ref. Part No:	Description:	Description:
---------------	---------------	--------------	--------------

Image 1:

41	0130M00178	DPDT RELAY 24VAC (QTY 2)
61	802007090	TERM BOARD
81	0130M00038	TERMINAL BOARD
91	0130L00205	TRANSFORMER (M1, M2)
91	0130L00206	TRANSFORMER (M3)
91	0130L00207	TRANSFORMER (M4)
101	10135604	RELAY
111	0130M00510	BLOCK, POWER (M1)
111	0130M00509	BLOCK,POWER (M2, M3, M4)
161	CAP050000370LA	CAP, 5 MFD/370V/OVAL (M2)
161	CAB050450440CT	CAP, 5/45 MFD/440V RD - BPRF (M1)
161	CAP030000440LA	CAPACITOR (M4)
161	CAP040000370VA	CAPACITOR (M3)
171	CONT2P040024V	CONT, 2 POLE, 40 AMP, 24 VAC (M1)
171	CONT3P030024V	CONT, 3 POLE, 30 AMP, 24 VAC (M2, M3, M4)
181	CONT2P025024V	CONT, 2 POLE, 25 AMP, 24 VAC
191	CONT2P025024V	CONT, 2 POLE, 25 AMP, 24 VAC (M1, M2, M3)
191	CONT3P025024V	CONT, 3 POLE, 25 AMP, 24 VAC (M4)
301	PCBDM133	PCB DEFROST CONTROL
NS	0164M00127	BOOT, CAPACITOR (M2, M3, M4)
NS	0164M00079	BOOT-CAPACITOR, ROUND (M1)
NS	0130M00507	MOTOR POWER HARNESS (M1, M2)
NS	20520901	STRAP-CAPACITOR
NS	0130M00506	X-13 LOW VOLTAGE WIRE HARNESS

Expanded Model Nomenclature

M1 - DFH0361D000001SAA
M2 - DFH0363D000001SAA
M3 - DFH0364D000001SAA
M4 - DFH0367D000001SAA

ACCESSORY PARTS LIST

NOTE: NOT ALL OPTIONS AVAILABLE FOR ALL PRODUCTS

FOR ACCESSORY PARTS SEE THE FOLLOWING PART MANUAL

RP-FIOPSC

ACCESSORY PARTS

Ref. Part

No: No:

Description:

Ref. Part

No: No:

Description:

Image 1:

NS RP-EHXIB,DJ** ACCESSORY RP MANUAL

NS RP-FIOPSC* ACCESSORY RP MANUAL

Expanded Model Nomenclature

M1 - DFH0361D000001SAA

M2 - DFH0363D000001SAA

M3 - DFH0364D000001SAA

M4 - DFH0367D000001SAA