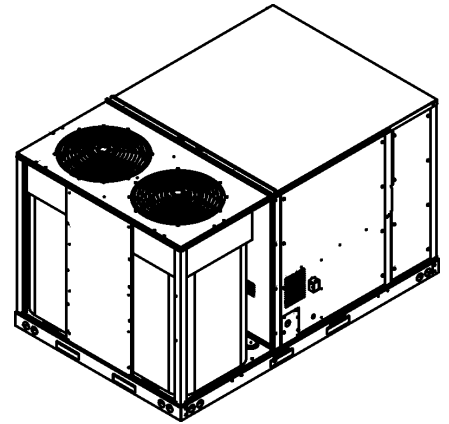


## DFG 12.5 Ton Package Gas Unit

DFG1503DH00001SAA  
DFG1503DL00001SAA  
DFG1503DM00001SAA  
DFG1504DH00001SAA  
DFG1504DL00001SAA  
DFG1504DM00001SAA  
DFG1507DH00001SAA  
DFG1507DL00001SAA  
DFG1507DM00001SAA



This manual is to be used by qualified technicians only.

# Important Information

---

## Index

Functional Parts List .....	3
Illustration and Parts .....	4 - 17

*Views shown are for parts illustrations only, not servicing procedures.*

### Text Codes:

AR - As Required

NA - Not Available

NS - Not Shown

00000000 - See Note

QTY - Quantity Example (QTY 3) (If Quantity not shown, Quantity = 1)

M - Model Example (M1) (If M Code not shown, then part is used on all Models)

### Expanded Model Nomenclature:

Example
M1 - Model#1
M2 - Model#2
M3 - Model#3

Daikin Comfort Technologies Manufacturing , L.P. is not responsible for personal injury or property damage resulting from improper service. Review all service information before beginning repairs.

Warranty service must be performed by an authorized technician, using authorized factory parts. If service is required after the warranty expires, Daikin Comfort Technologies Manufacturing , L.P. also recommends contacting an authorized technician and using authorized factory parts.

Daikin Comfort Technologies Manufacturing , L.P. reserves the right to discontinue, or change at any time, specifications or designs without notice or without incurring obligations.

For assistance within the U.S.A. contact:  
Equipment Support  
Daikin Comfort Technologies Manufacturing , L.P.  
19001 Kermier Road  
Waller, Texas 77484  
855-770-5678-Telephone  
713-863-2382-Facsimile

For assistance outside the U.S.A. contact:  
International Division  
Daikin Comfort Technologies Manufacturing , L.P.  
19001 Kermier Road  
Waller, Texas 77484  
713-861-2500-Telephone  
713-863-2382-Facsimile

# Functional Parts

**Part No:**            **Description:**

0163L00006	BURNER BECKETT
CAP100000370LA	CAP, 10 MFD/370V/OVAL (QTY 2)
ZP61KCETFE130	COMP, 61,500, 575/60/3 (M7, M8, M9)
ZP61KCETF5130	Comp, 61500,200/230/60/3 (M1, M2, M3)
ZP61KCETFD130	COMP, 61500,460/60/3 (M4, M5, M6)
CONT2P025024V	CONT 2 POLE 25 AMP 24 VAC
CONT3P030024V	CONT, 3 POLE 30 AMP 24VAC (QTY 3)
0130M00178	DPDT RELAY 24VAC (QTY 3)
0150M00065	FAN BLADE, 22' (QTY 2)
0130F00010	FLAME SENSOR
0151L00000	GAS VALVE MANIFOLD 36H
0130L00251	IGNITOR
20162901	LIMIT, PRIMARY (M1, M2, M4, M5, M7, M8)
20162904	LIMIT, PRIMARY
0130F00036	LIMIT, PRIMARY, 180, PINK (M3, M6, M9)
10123532	LIMIT-RESET MAN-GRAY (M3, M6, M9)
10123529	LIMIT-RESET MAN-GREEN (M1, M2, M4, M5, M7, M8)
0131L00164	MOTOR CONTROLLER (M7, M8, M9)
0131L00163	MOTOR CONTROLLER (M4, M5, M6)
0131L00162	MOTOR CONTROLLER (M1, M2, M3)
0131M00930	Nidec Motor, 1/2 HP (M7, M8, M9)
0131M00926	Nidec Motor, 1/2 HP (M4, M5, M6)
0131M00925	Nidec Motor, 1/2 HP (M1, M2, M3)
PCBAG123	PCB IGNITION DSI INTEG
0131L00452	PROGRAMMED, MOTOR (M2, M5, M8)
0131L00454	PROGRAMMED, MOTOR (M1, M4, M7)
0131L00453	PROGRAMMED, MOTOR (M3, M6, M9)
0130M00730	SWITCH, HIGH PRESSURE (QTY 2)
0130M00732	SWITCH, LOW PRESSURE (QTY 2)
11112501	SWITCH-PRESSURE
B1370772	TIME DEALY ICM 180SEC DELA
0130M00594	TRANSFORMER (M1, M2, M3)
0130M00595	TRANSFORMER (M4, M5, M6)
0130M00598	TRANSFORMER (M7, M8, M9)
0130M00596	TRANSFORMER (M4, M5, M6)
0130M00597	TRANSFORMER (M7, M8, M9)
0131L00120	VENT MOTOR

## Expanded Model Nomenclature

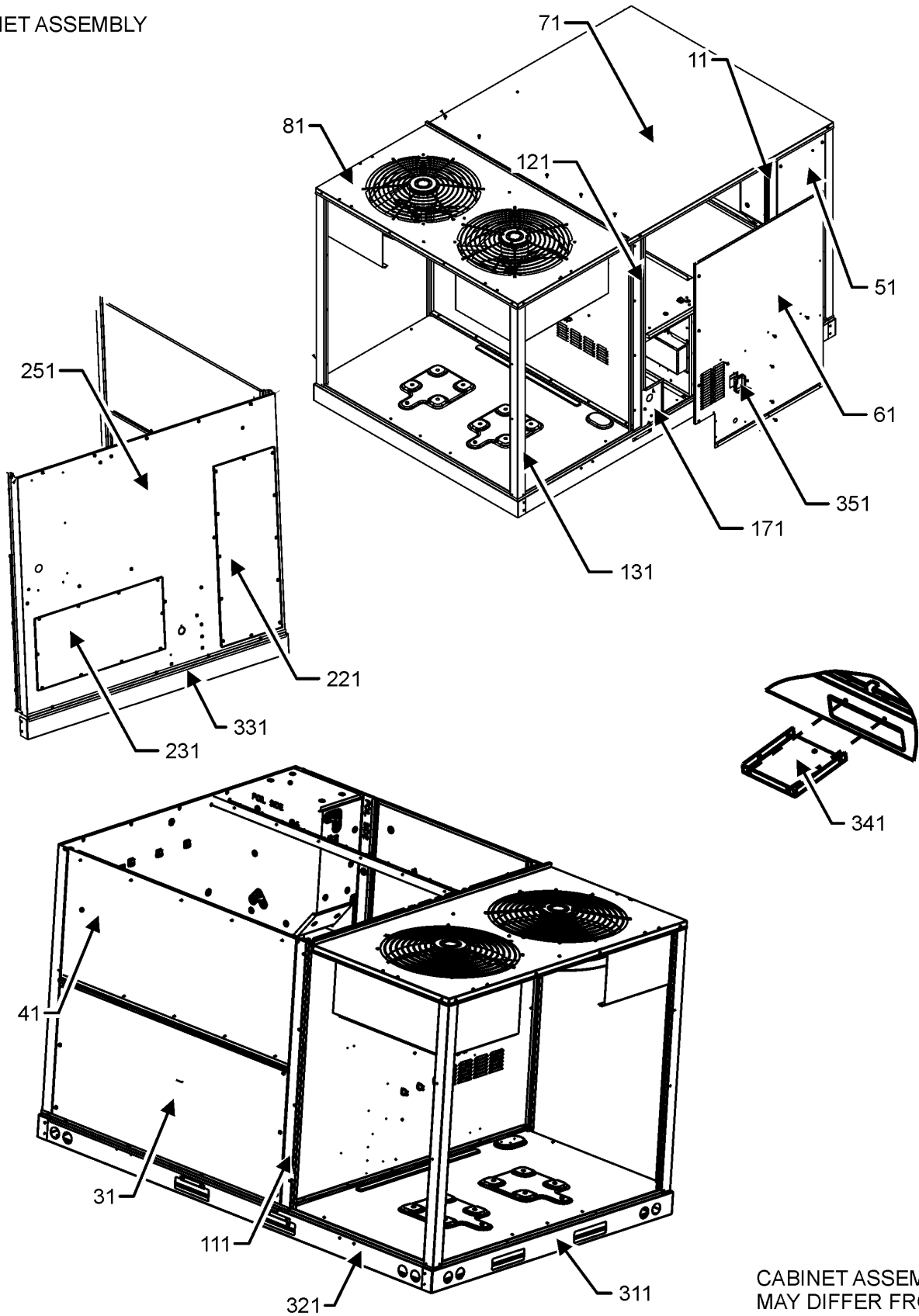
M1 - DFG1503DH00001SAA
M2 - DFG1503DL00001SAA
M3 - DFG1503DM00001SAA
M4 - DFG1504DH00001SAA
M5 - DFG1504DL00001SAA
M6 - DFG1504DM00001SAA
M7 - DFG1507DH00001SAA
M8 - DFG1507DL00001SAA
M9 - DFG1507DM00001SAA

## SPECIAL PARTS

RP-HXM*	ACCESSORY RP MANUAL
RP-FIOPM*	ACCESSORY RP MANUAL

# CABINET ASSEMBLY

CABINET ASSEMBLY



CABINET ASSEMBLY  
MAY DIFFER FROM  
WHAT IS SHOWN

# CABINET ASSEMBLY

Ref. Part No: No:	Description:	Ref. Part No: No:	Description:
----------------------	--------------	----------------------	--------------

---

**Image 1:**

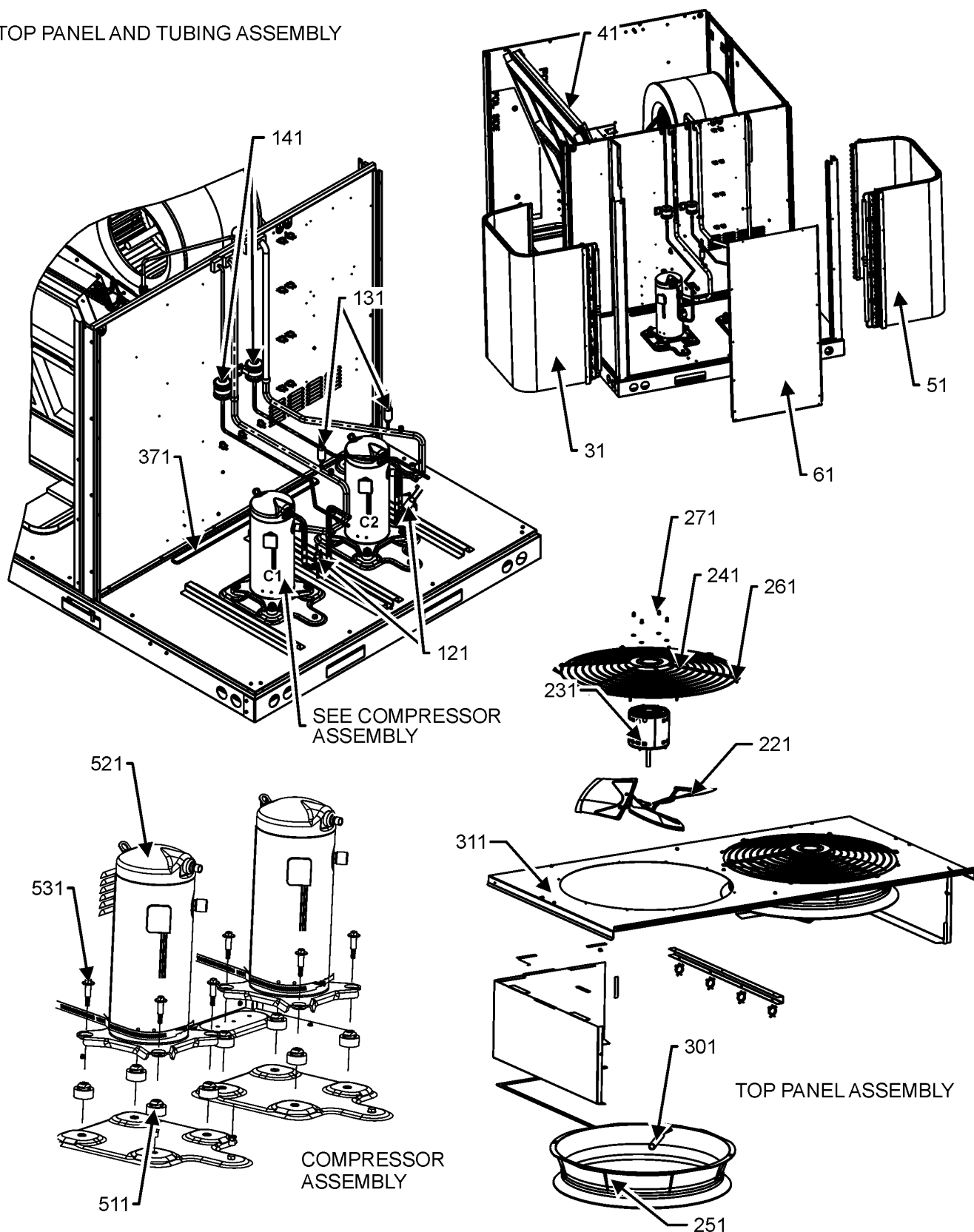
11	0121L04041SB	PAINTED SIDE POST
31	0121L04312SB	PAINTED, ECONOMIZER PANEL
41	0121L04447SB	PAINTED, PANEL, FILTER
51	0121L02952SB	PAINTED CONTROL PANEL
61	0121L03822SB	PAINTED BLOWER PANEL
71	0121L04551SB	PAINTED, PANEL, TOP INDOOR
81	0121L04721SB	PAINTED PANEL TOP INDOOR
111	0121L03187SB	PAINTED, SIDE POST
121	0121L03469SB	PAINTED, SIDE POST
131	0121L04552SB	PAINTED, PANEL, CORNER POST (QTY 2)
221	0121L03508SB	PAINTED COVER DUCT RETURN
231	0121L02921SB	PAINTED COVER DUCT SUPPLY
251	0121L04550SB	PAINTED, PANEL, DUCT
311	0121L04565	END RAIL
321	0121L04764	SIDE RAIL (QTY 2)
331	0121L04606	END RAIL
341	0121L03727	BRACKET-FORK BOARD (QTY 4)
351	0121L03481SB	PAINTED BRKT FLUE COLLAR
NS	0141L00084	BOARD FORK (QTY 2)
NS	0121L04612SB	PAINTED COVER-DISC SWITCH
NS	0121L03958SB	PAINTED, DRAIN PAN COVER
NS	0121L03932SB	PNT, CONVENIENCE COVER LT COMM

**Expanded Model Nomenclature**

M1 - DFG1503DH00001SAA
M2 - DFG1503DL00001SAA
M3 - DFG1503DM00001SAA
M4 - DFG1504DH00001SAA
M5 - DFG1504DL00001SAA
M6 - DFG1504DM00001SAA
M7 - DFG1507DH00001SAA
M8 - DFG1507DL00001SAA
M9 - DFG1507DM00001SAA

# TOP PANEL AND TUBING ASSEMBLY

## TOP PANEL AND TUBING ASSEMBLY



TOP PANEL AND TUBING ASSEMBLY MAY DIFFER FROM WHAT IS SHOWN

# TOP PANEL AND TUBING ASSEMBLY

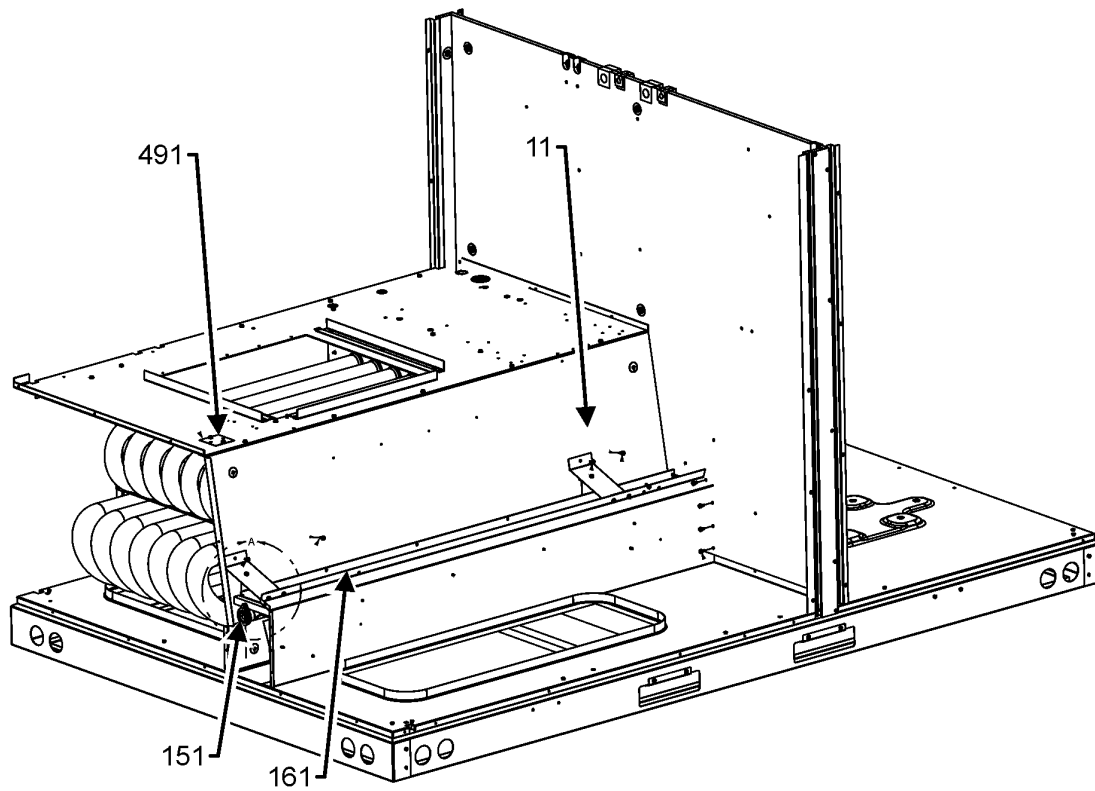
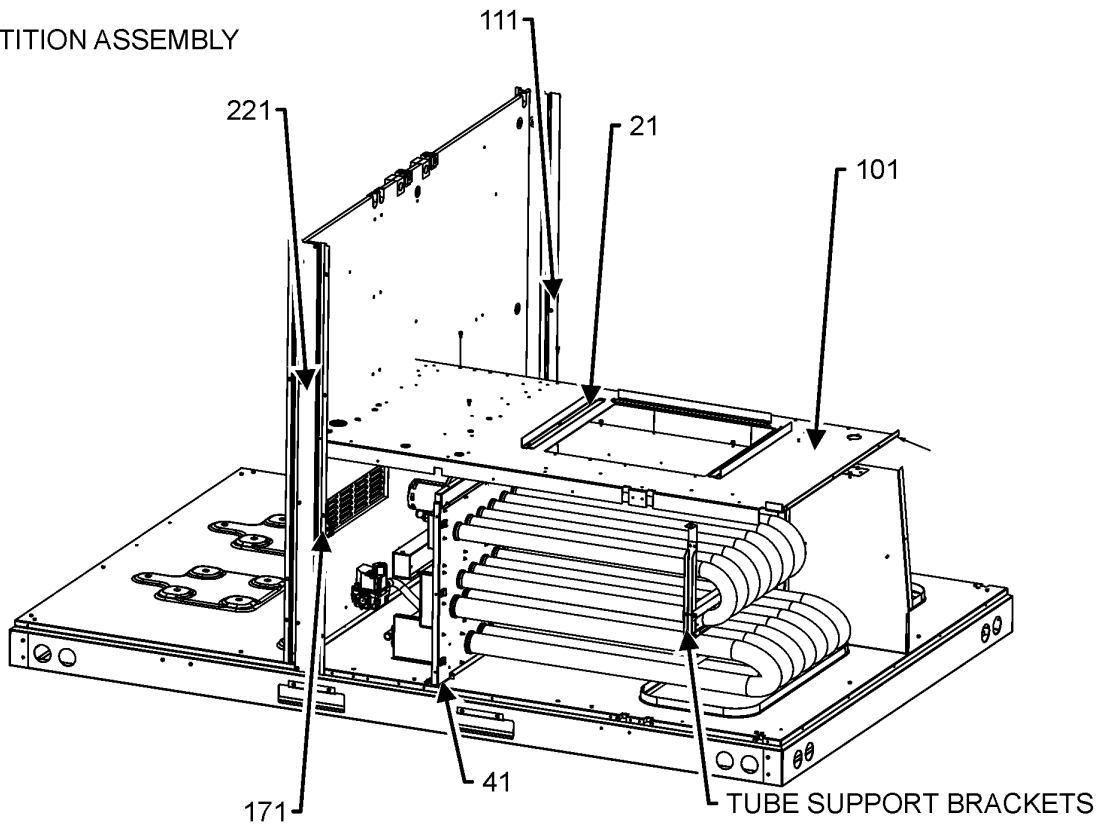
Ref. Part No:	Ref. Part No:	Description:	Description:
<b>Image 1:</b>			
31	0201L00907	ASSY., COND COIL ,BENT	
41	0202L00585	ASSY, EVAP COIL	
51	0201L00908	ASSY., COND COIL ,BENT	
61	0121L04869SB	PAINTED COIL BLOCKOFF	
121	0130M00730	SWITCH, HIGH PRESSURE (QTY 2)	
131	0130M00732	SWITCH, LOW PRESSURE (QTY 2)	
141	0151M00012	FILTER/DRIER-BI-FLOW (QTY 2)	
221	0150M00065	FAN BLADE, 22' (QTY 2)	
231	0131M00925	Nidec Motor, 1/2 HP (M1, M2, M3)	
231	0131M00926	Nidec Motor, 1/2 HP (M4, M5, M6)	
231	0131M00930	Nidec Motor, 1/2 HP (M7, M8, M9)	
241	0152G00000	FAN GRILLE, RAISED (QTY 2)	
251	0161R00048	MOLDED RING VENTURI 22 (QTY 2)	
261	0163M00004	SCREW #10X3/4 BLK (QTY 16)	
271	0163M00006P	NUT, ACORN 5/16 HEX BLACK (QTY 8)	
301	0161R00003P	CONDUIT (QTY 2)	
311	0121L04721SB	PAINTED PANEL TOP INDOOR	
371	0121L04115	CHANNEL	
511	B1339533	GROMMET, COMPRESSOR (QTY 8)	
521	ZP61KCETFE130	COMP, 61,500, 575/60/3 (M7, M8, M9)	
521	ZP61KCETF5130	Comp, 61500,200/230/60/3 (M1, M2, M3)	
521	ZP61KCETFD130	COMP, 61500,460/60/3 (M4, M5, M6)	
531	B1393740	COMP BOLT & SLEEVE (QTY 8)	
NS	0160L00137	AIR FILTER (QTY 2)	
NS	0160L00267	AIR FILTER (QTY 2)	
NS	0121L04224	COIL BLOCKOFF	
NS	0121L04675	COIL BLOCKOFF	
NS	0121L04676	COIL BLOCKOFF	
NS	0159L00066	HARNESS, COMP SCROLL (M4, M5, M6, M7, M8, M9)	
NS	0159L00068	HARNESS, COMP SCROLL (M1, M2, M3)	
NS	0159L00153	HARNESS, COMP SCROLL (M4, M5, M6, M7, M8, M9)	
NS	0159L00154	HARNESS, COMP SCROLL (M1, M2, M3)	
NS	0251L00132	TXV, & FLOWRATOR ASSY (QTY 2)	
NS	M0272803	WASHER LOCK (QTY 4)	
NS	0163M00005P	WASHER, BLACK .50OD.218ID (QTY 8)	

## Expanded Model Nomenclature

M1 - DFG1503DH00001SAA
M2 - DFG1503DL00001SAA
M3 - DFG1503DM00001SAA
M4 - DFG1504DH00001SAA
M5 - DFG1504DL00001SAA
M6 - DFG1504DM00001SAA
M7 - DFG1507DH00001SAA
M8 - DFG1507DL00001SAA
M9 - DFG1507DM00001SAA

# PARTITION ASSEMBLY

PARTITION ASSEMBLY



NOTE: PARTITION ASSEMBLY MAY DIFFER FROM WHAT IS SHOWN

# PARTITION ASSEMBLY

Ref. Part No:	No:	Description:	Ref. Part No:	No:	Description:
---------------	-----	--------------	---------------	-----	--------------

---

**Image 1:**

11	0121L04789	BLOWER DECK BOTTOM
21	0121L02651	BLOWER SLIDE PLATE (QTY 3)
41	0121L02337	HEAT EXCHANGER RAIL
41	0121L03676	HEAT EXCHANGER RAIL
101	0121L04139	BLOWER DECK
111	0121L03187SB	PAINTED SIDE POST
151	0154L00009	GASKET DRAIN PAN
161	0161L00002	DRAIN PAN EVAP 7TO12
171	11112501	SWITCH-PRESSURE
221	0121L03469SB	PAINTED SIDE POST
491	0121L00321	COVER SMOKE DETECTOR
NS	0121L02903	BRACKET, TUBE SUPPORT
NS	0121L02904	BRACKET, TUBE SUPPORT
NS	0121L04024	BRACKET, TUBE SUPPORT
NS	0121L02929	BRACKET,MOUNT SUPPORT TUBE
NS	0154L00157	GASKET
NS	0161L00012	PLUG DRAIN PAN

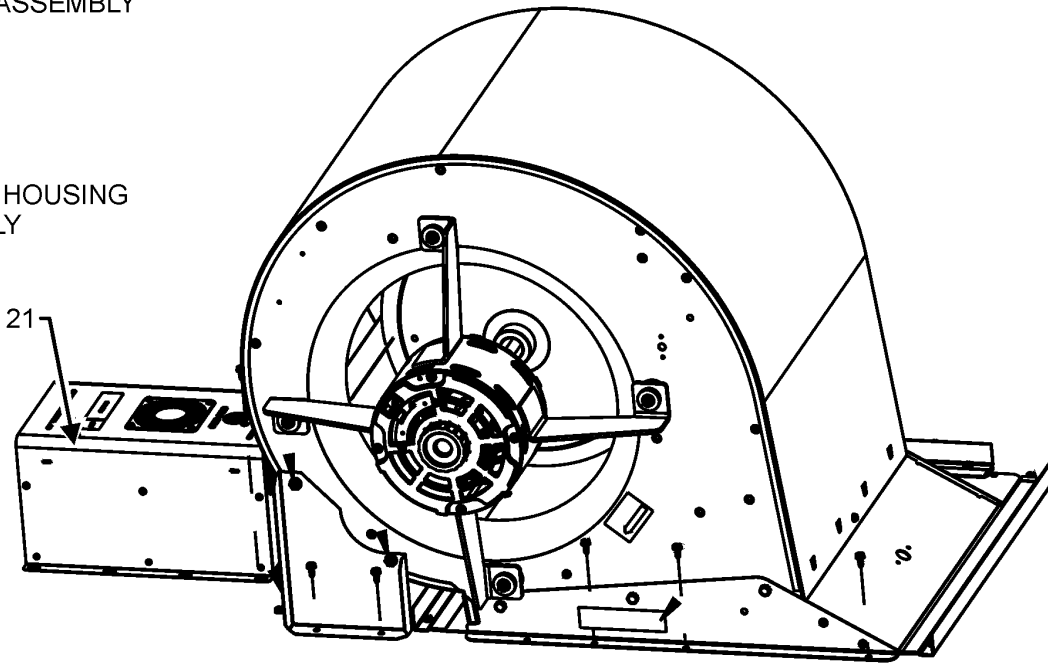
**Expanded Model Nomenclature**

M1 - DFG1503DH00001SAA
M2 - DFG1503DL00001SAA
M3 - DFG1503DM00001SAA
M4 - DFG1504DH00001SAA
M5 - DFG1504DL00001SAA
M6 - DFG1504DM00001SAA
M7 - DFG1507DH00001SAA
M8 - DFG1507DL00001SAA
M9 - DFG1507DM00001SAA

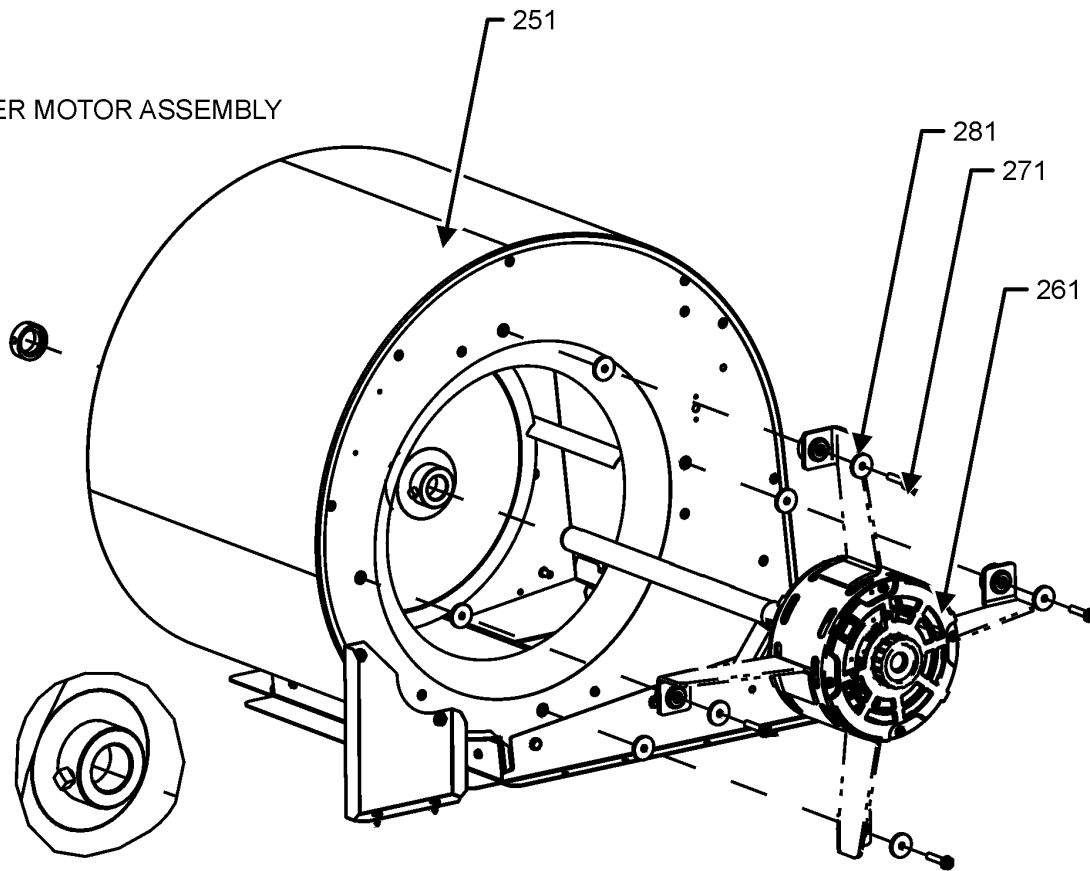
# BLOWER ASSEMBLY

BLOWER ASSEMBLY

BLOWER HOUSING ASSEMBLY



BLOWER MOTOR ASSEMBLY



BLOWER ASSEMBLY MAY DIFFER FROM WHAT IS SHOWN

# BLOWER ASSEMBLY

Ref. Part

No: No:

Description:

Ref. Part

No: No:

Description:

**Image 1:**

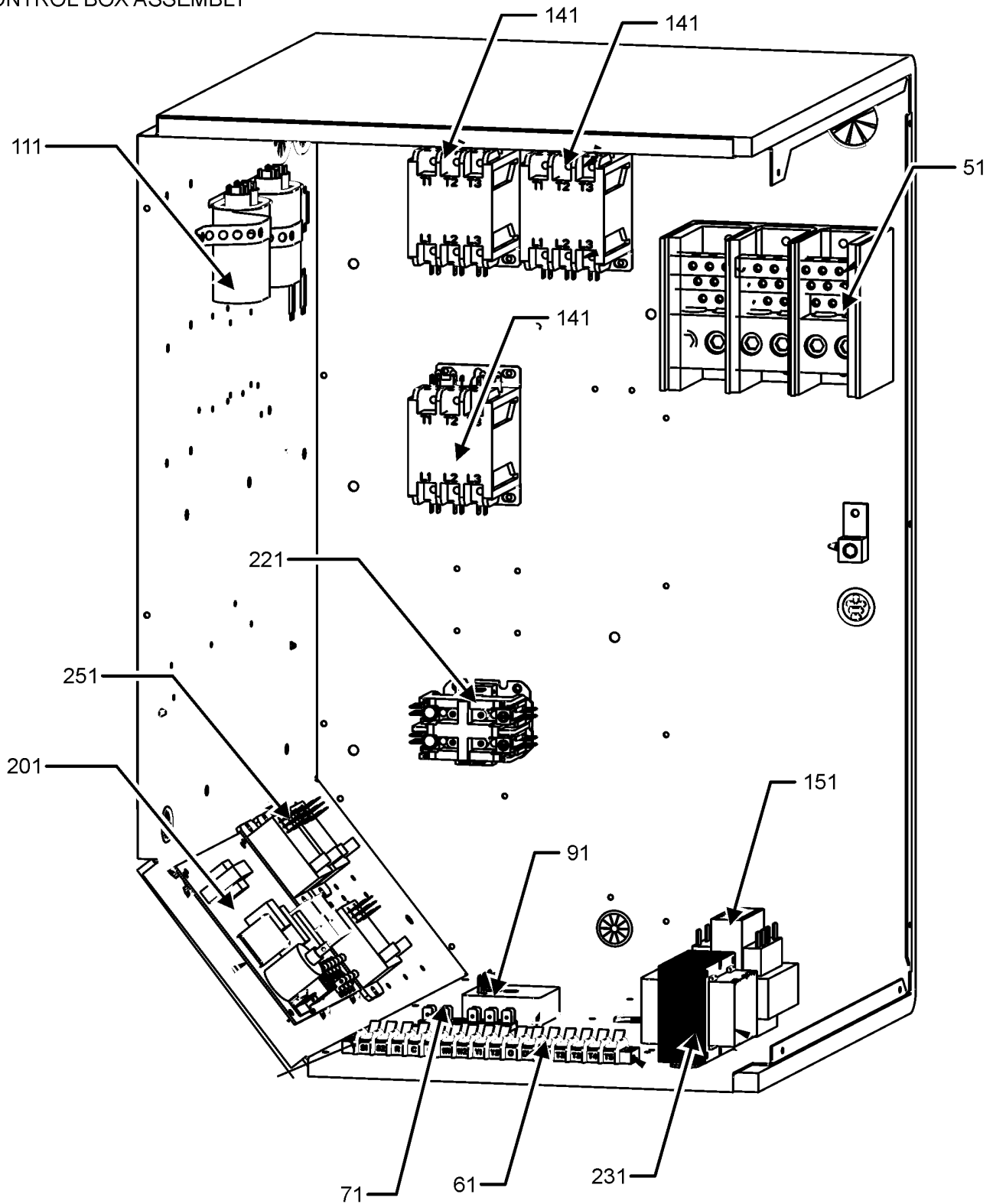
21	0131L00162	MOTOR CONTROLLER (M1, M2, M3)
21	0131L00163	MOTOR CONTROLLER (M4, M5, M6)
21	0131L00164	MOTOR CONTROLLER (M7, M8, M9)
251	0271L00148	ASSY, BLOWER PURCHASED 16X18
261	0131L00452	PROGRAMMED, MOTOR (M2, M5, M8)
261	0131L00453	PROGRAMMED, MOTOR (M3, M6, M9)
261	0131L00454	PROGRAMMED, MOTOR (M1, M4, M7)
271	M0250565	SCREW-TC 1.25" (QTY 4)
281	B1392918	WASHER FLAT 1/4IDX1OD (QTY 8)
NS	20162904	LIMIT, PRIMARY

**Expanded Model Nomenclature**

M1 - DFG1503DH00001SAA
M2 - DFG1503DL00001SAA
M3 - DFG1503DM00001SAA
M4 - DFG1504DH00001SAA
M5 - DFG1504DL00001SAA
M6 - DFG1504DM00001SAA
M7 - DFG1507DH00001SAA
M8 - DFG1507DL00001SAA
M9 - DFG1507DM00001SAA

# CONTROL BOX ASSEMBLY

CONTROL BOX ASSEMBLY



CONTROL BOX ASSEMBLY MAY DIFFER FROM WHAT IS SHOWN

# CONTROL BOX ASSEMBLY

Ref. Part No:	No:	Description:	Ref. Part No:	No:	Description:
---------------	-----	--------------	---------------	-----	--------------

**Image 1:**

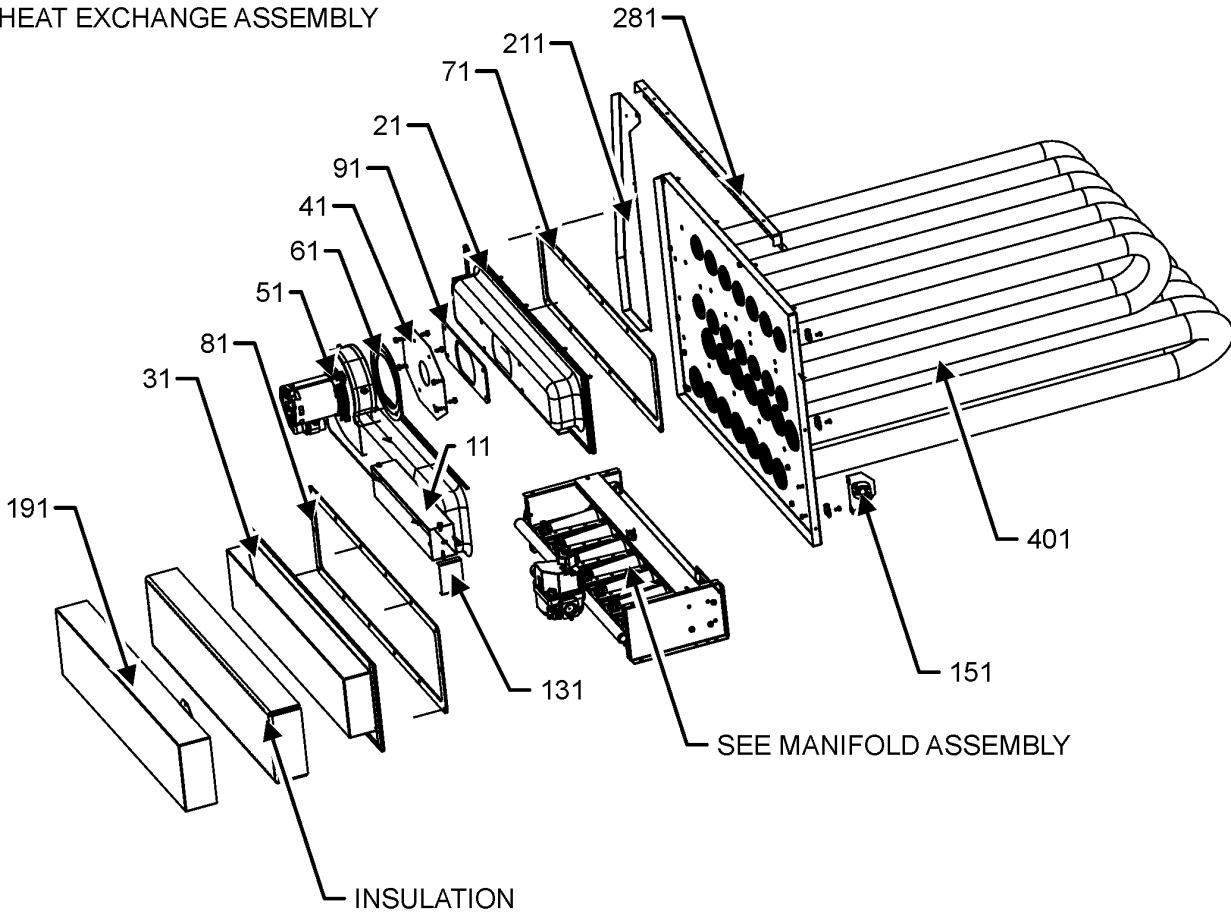
51	0130L00217	POWER,BLOCK
61	0130M00038	TERMINAL BOARD
71	802007090	TERM BOARD
91	B1370772	TIME DEALY ICM 180SEC DELA
111	CAP100000370LA	CAP, 10 MFD/370V/OVAL (QTY 2)
141	CONT3P030024V	CONT, 3 POLE 30 AMP 24VAC (QTY 3)
151	0130M00594	TRANSFORMER (M1, M2, M3)
151	0130M00595	TRANSFORMER (M4, M5, M6)
151	0130M00598	TRANSFORMER (M7, M8, M9)
201	PCBAG123	PCB IGNITION DSI INTEG
221	CONT2P025024V	CONT 2 POLE 25 AMP 24 VAC
231	0130M00596	TRANSFORMER (M4, M5, M6)
231	0130M00597	TRANSFORMER (M7, M8, M9)
251	0130M00178	DPDT RELAY 24VAC (QTY 3)
NS	0164M00127	BOOT, CAPACITOR (QTY 2)
NS	20520901	STRAP-CAPACITOR (QTY 7)

**Expanded Model Nomenclature**

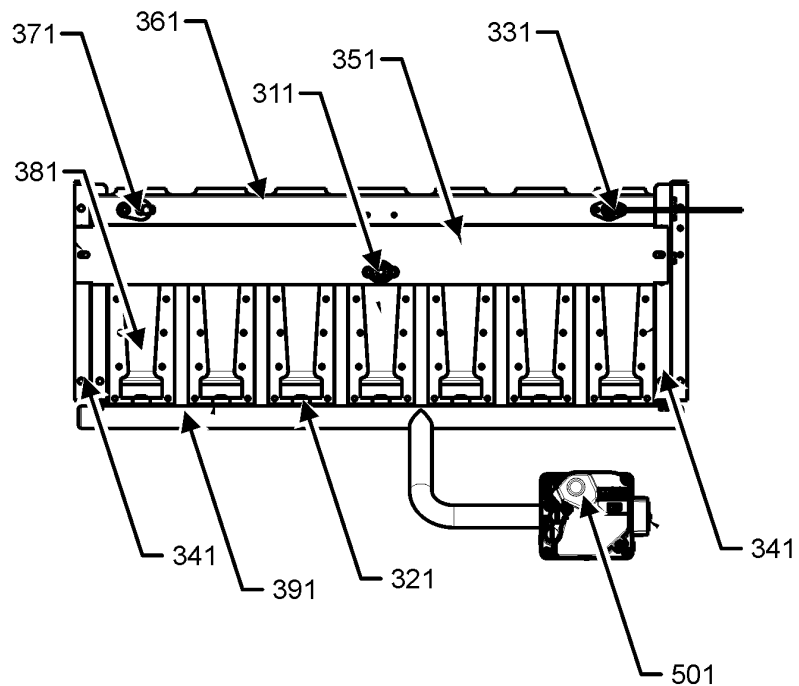
M1 - DFG1503DH00001SAA
M2 - DFG1503DL00001SAA
M3 - DFG1503DM00001SAA
M4 - DFG1504DH00001SAA
M5 - DFG1504DL00001SAA
M6 - DFG1504DM00001SAA
M7 - DFG1507DH00001SAA
M8 - DFG1507DL00001SAA
M9 - DFG1507DM00001SAA

# HEAT EXCHANGE ASSEMBLY

HEAT EXCHANGE ASSEMBLY



MANIFOLD ASSEMBLY



HEAT EXCHANGE ASSY MAY DIFFER FROM WHAT IS SHOWN

# HEAT EXCHANGE ASSEMBLY

Ref. Part No:	Part No:	Description:	Ref. Part No:	Part No:	Description:
<i>Image 1:</i>					
11	0121L03623	FLUE HT EXCH (QTY 2)			
21	0121L01666	COLLECTOR BOX			
31	0121L01667	COLLECTOR BOX			
41	0121L03193	PLATE, ORIFICE (M2, M5, M8)			
41	0121L04771	PLATE, ORIFICE (M3, M6, M9)			
41	0121L04827	PLATE,ORIFICE (M1, M4, M7)			
51	0131L00120	VENT MOTOR			
61	0154L00141	GASKET			
71	0154L00039	GASKET			
81	0154L00038	GASKET			
91	0154L00228	GASKET			
131	0163L00006	SCREEN FLUE			
151	20162901	LIMIT, PRIMARY (M1, M2, M4, M5, M7, M8)			
151	0130F00036	LIMIT, PRIMARY, 180, PINK (M3, M6, M9)			
191	0121L02660	COVER INSUL BOX COLL LOWER			
211	0121L03220	HEAT EXCHANGER BLOCKOFF			
281	0121L03221	SUPPORT BLOCKOFF HT EXCH			
311	10123532	LIMIT-RESET MAN-GRAY (M3, M6, M9)			
311	10123529	LIMIT-RESET MAN-GREEN (M1, M2, M4, M5, M7, M8)			
321	0163L00007	ORIFICE (M1, M4, M7)			
321	0163L00021	ORIFICE (M3, M6, M9)			
321	0163L00195	ORIFICE (M2, M5, M8)			
331	0130L00251	IGNITOR			
341	0121L02998	BRACKET SUPPORT BURNER (QTY 2)			
351	0121L03025	BRACKET, ROLLOUT, FLAME, BR, 5 (M2, M5, M8)			
351	0121L03024	BRACKET, ROLLOUT, FLAME, BR, 6 (M3, M6, M9)			
351	0121L03023	BRACKET, ROLLOUT, FLAME, BR, 7 (M1, M4, M7)			
361	0121L02692	BRACKET, BURNER, 5 (M2, M5, M8)			
361	0121L02691	BRACKET, BURNER, 6 (M3, M6, M9)			
361	0121L02690	BRACKET, BURNER, 7 (M1, M4, M7)			
371	0130F00010	FLAME SENSOR			
381	0163L00006	BURNER BECKETT			
391	0163L00144	MANIFOLD (M1, M4, M7)			
391	0163L00145	MANIFOLD (M3, M6, M9)			
391	0163L00162	MANIFOLD (M2, M5, M8)			
401	0270L01356	ASSY., PANEL PARTITION (M3, M6, M9)			
401	0270L01357	ASSY., PANEL PARTITION (M2, M5, M8)			
401	0270L02067	ASSY., PANEL PARTITION (M1, M4, M7)			
501	0151L00000	GAS VALVE MANIFOLD 36H			
NS	0121L02859	BRACKET, LIMIT PRIMARY			
NS	0259L01055	WIRE HARNESS ASSY			

## Expanded Model Nomenclature

M1 - DFG1503DH00001SAA
M2 - DFG1503DL00001SAA
M3 - DFG1503DM00001SAA
M4 - DFG1504DH00001SAA
M5 - DFG1504DL00001SAA
M6 - DFG1504DM00001SAA
M7 - DFG1507DH00001SAA
M8 - DFG1507DL00001SAA
M9 - DFG1507DM00001SAA

# ACCESSORY PARTS LIST

NOTE: NOT ALL OPTIONS AVAILABLE FOR ALL PRODUCTS

FOR ACCESSORY PARTS SEE THE FOLLOWING PART MANUAL

## RP-FIOPMC

**Ref. Part****No: No:****Description:****Ref. Part****No: No:****Description:**

---

**Image 1:**

NS RP-FIOPM\* ACCESSORY RP MANUAL

NS RP-HXM\* ACCESSORY RP MANUAL

**Expanded Model Nomenclature**

M1 - DFG1503DH00001SAA
M2 - DFG1503DL00001SAA
M3 - DFG1503DM00001SAA
M4 - DFG1504DH00001SAA
M5 - DFG1504DL00001SAA
M6 - DFG1504DM00001SAA
M7 - DFG1507DH00001SAA
M8 - DFG1507DL00001SAA
M9 - DFG1507DM00001SAA