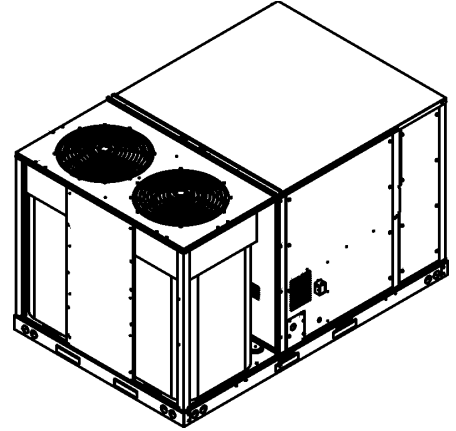


DFG 8.5 Ton Package Gas Unit

DFG1023DH00001SAA
DFG1023DL00001SAA
DFG1023DM00001SAA
DFG1024DH00001SAA
DFG1024DL00001SAA
DFG1024DM00001SAA
DFG1027DH00001SAA
DFG1027DL00001SAA
DFG1027DM00001SAA



This manual is to be used by qualified technicians only.

Important Information

Index

Functional Parts List	3
Illustration and Parts	4 - 17

Views shown are for parts illustrations only, not servicing procedures.

Text Codes:

AR - As Required

NA - Not Available

NS - Not Shown

00000000 - See Note

QTY - Quantity Example (QTY 3) (If Quantity not shown, Quantity = 1)

M - Model Example (M1) (If M Code not shown, then part is used on all Models)

Expanded Model Nomenclature:

Example M1 - Model#1 M2 - Model#2 M3 - Model#3

Daikin Comfort Technologies Manufacturing , L.P. is not responsible for personal injury or property damage resulting from improper service. Review all service information before beginning repairs.

Warranty service must be performed by an authorized technician, using authorized factory parts. If service is required after the warranty expires, Daikin Comfort Technologies Manufacturing , L.P. also recommends contacting an authorized technician and using authorized factory parts.

Daikin Comfort Technologies Manufacturing , L.P. reserves the right to discontinue, or change at any time, specifications or designs without notice or without incurring obligations.

For assistance within the U.S.A. contact:
Equipment Support
Daikin Comfort Technologies Manufacturing , L.P.
19001 Kermier Road
Waller, Texas 77484
855-770-5678-Telephone
713-863-2382-Facsimile

For assistance outside the U.S.A. contact:
International Division
Daikin Comfort Technologies Manufacturing , L.P.
19001 Kermier Road
Waller, Texas 77484
713-861-2500-Telephone
713-863-2382-Facsimile

Functional Parts

Part No: **Description:**

10625733	BLADE-FAN 22" ALUM CCW (QTY 2)
0163L00006	BURNER BECKETT
CAP100000370LA	CAP, 10 MFD/370V/OVAL (M1, M2, M3, M4, M5, M6)
CAP050000440LA	CAPACITOR (M7, M8, M9)
ZP44K5ETFD130	COMP 44000, 460/60/3 (M4, M5, M6)
ZP44K5ETF5130	COMP, 44000, 200/230/60/3 (M1, M2, M3)
ZP44K5ETFE130	COMP, 44000, 575/60/3 (M7, M8, M9)
CONT2P025024V	CONT 2 POLE 25 AMP 24 VAC
CONT3P030024V	CONT, 3 POLE 30 AMP 24VAC (QTY 3)
0130M00178	DPDT RELAY 24VAC (QTY 3)
0130F00010	FLAME SENSOR
0151L00000	GAS VALVE MANIFOLD 36H
0130L00251	IGNITOR
20162906	LIMIT, PRIMARY (M2, M5, M8)
20162904	LIMIT, PRIMARY
0130F00067	LIMIT, PRIMARY (M3, M6, M9)
0130F00071	LIMIT, PRIMARY (M1, M4, M7)
10123532	LIMIT-RESET MAN-GRAY (M3, M6, M9)
10123529	LIMIT-RESET MAN-GREEN (M1, M2, M4, M5, M7, M8)
0131L00236	MOTOR CONTROLLER (M1, M2, M3)
0131L00238	MOTOR CONTROLLER (M4, M5, M6)
0131L00240	MOTOR CONTROLLER (M7, M8, M9)
0131M00907	MOTOR, HP, 1/3, OD (M4, M5, M6)
0131M00908	MOTOR, HP, 1/3, OD, LAK (M7, M8, M9)
0131M00906	MOTOR, HP, 1/3, SP, 1, PL, 6 (M1, M2, M3)
PCBAG123	PCB IGNITION DSI INTEG
0131L00426	PROGRAMMED, MOTOR (M2, M5, M8)
0131L00432	PROGRAMMED, MOTOR (M1, M4, M7)
0131L00429	PROGRAMMED, MOTOR (M3, M6, M9)
0130M00730	SWITCH, HIGH PRESSURE (QTY 2)
0130M00732	SWITCH, LOW PRESSURE (QTY 2)
11112501	SWITCH-PRESSURE
B1370772	TIME DEALY ICM 180SEC DELA
0130M00594	TRANSFORMER (M1, M2, M3)
0130M00595	TRANSFORMER (M4, M5, M6)
0130M00598	TRANSFORMER (M7, M8, M9)
0130M00596	TRANSFORMER (M4, M5, M6)
0130M00597	TRANSFORMER (M7, M8, M9)
0131L00120	VENT MOTOR

Expanded Model Nomenclature

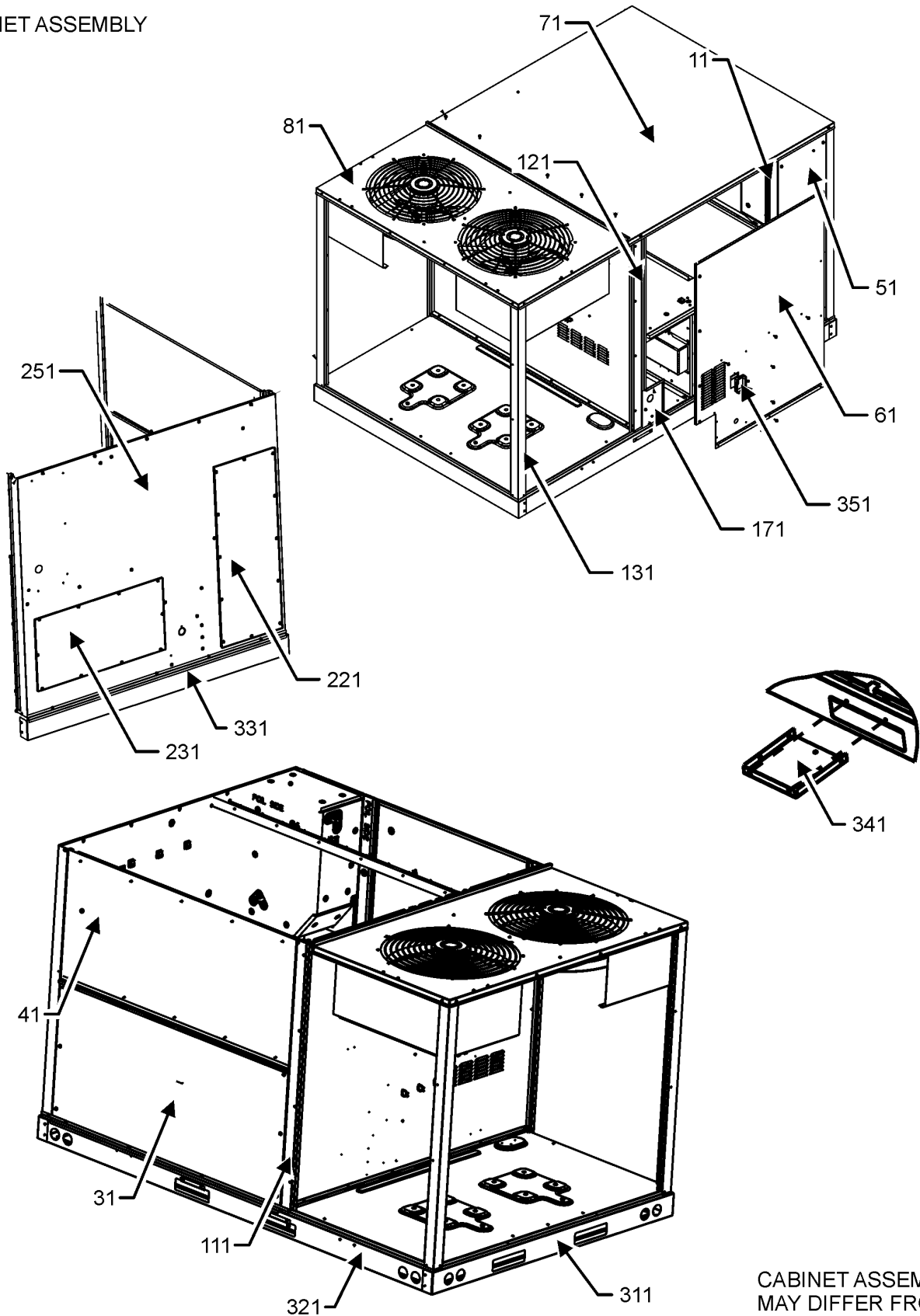
M1 - DFG1023DH00001SAA
M2 - DFG1023DL00001SAA
M3 - DFG1023DM00001SAA
M4 - DFG1024DH00001SAA
M5 - DFG1024DL00001SAA
M6 - DFG1024DM00001SAA
M7 - DFG1027DH00001SAA
M8 - DFG1027DL00001SAA
M9 - DFG1027DM00001SAA

SPECIAL PARTS

RP-HXM*	ACCESSORY RP MANUAL
RP-FIOPM*	ACCESSORY RP MANUAL

CABINET ASSEMBLY

CABINET ASSEMBLY



CABINET ASSEMBLY
MAY DIFFER FROM
WHAT IS SHOWN

CABINET ASSEMBLY

Ref. Part No:	Ref. Part No:	Description:	Description:
---------------	---------------	--------------	--------------

Image 1:

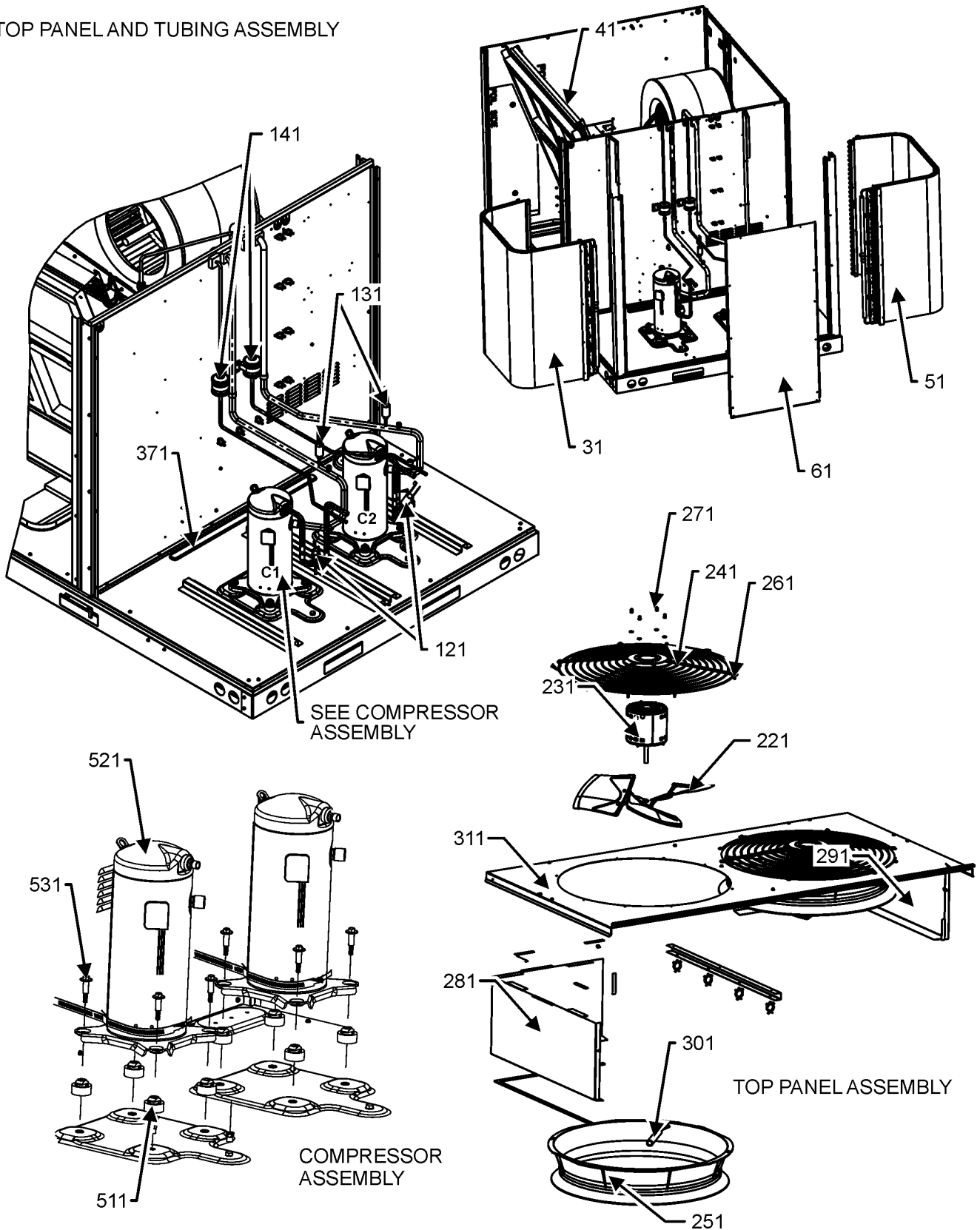
11	0121L04041SB	PAINTED SIDE POST
31	0121L04312SB	PAINTED, ECONOMIZER PANEL
41	0121L04447SB	PAINTED, PANEL, FILTER
51	0121L02952SB	PAINTED CONTROL PANEL
61	0121L03822SB	PAINTED BLOWER PANEL
71	0121L04551SB	PAINTED, PANEL, TOP INDOOR
81	0121L04721SB	PAINTED PANEL TOP INDOOR
111	0121L03187SB	PAINTED, SIDE POST
121	0121L03469SB	PAINTED, SIDE POST
131	0121L04552SB	PAINTED, PANEL, CORNER POST (QTY 2)
221	0121L03508SB	PAINTED COVER DUCT RETURN
231	0121L02921SB	PAINTED COVER DUCT SUPPLY
251	0121L04784SB	PAINTED, PANEL, DUCT
311	0121L04565	END RAIL
321	0121L04764	SIDE RAIL (QTY 2)
331	0121L04606	END RAIL
341	0121L03727	BRACKET-FORK BOARD (QTY 4)
351	0121L03481SB	PAINTED BRKT FLUE COLLAR
NS	0141L00084	BOARD FORK (QTY 2)
NS	0121L04612SB	PAINTED COVER-DISC SWITCH
NS	0121L03958SB	PAINTED, DRAIN PAN COVER
NS	0121L03932SB	PNT, CONVENIENCE COVER LT COMM

Expanded Model Nomenclature

- | |
|------------------------|
| M1 - DFG1023DH00001SAA |
| M2 - DFG1023DL00001SAA |
| M3 - DFG1023DM00001SAA |
| M4 - DFG1024DH00001SAA |
| M5 - DFG1024DL00001SAA |
| M6 - DFG1024DM00001SAA |
| M7 - DFG1027DH00001SAA |
| M8 - DFG1027DL00001SAA |
| M9 - DFG1027DM00001SAA |

TOP PANEL AND TUBING ASSEMBLY

TOP PANEL AND TUBING ASSEMBLY



TOP PANEL AND TUBING ASSEMBLY MAY DIFFER FROM WHAT IS SHOWN

TOP PANEL AND TUBING ASSEMBLY

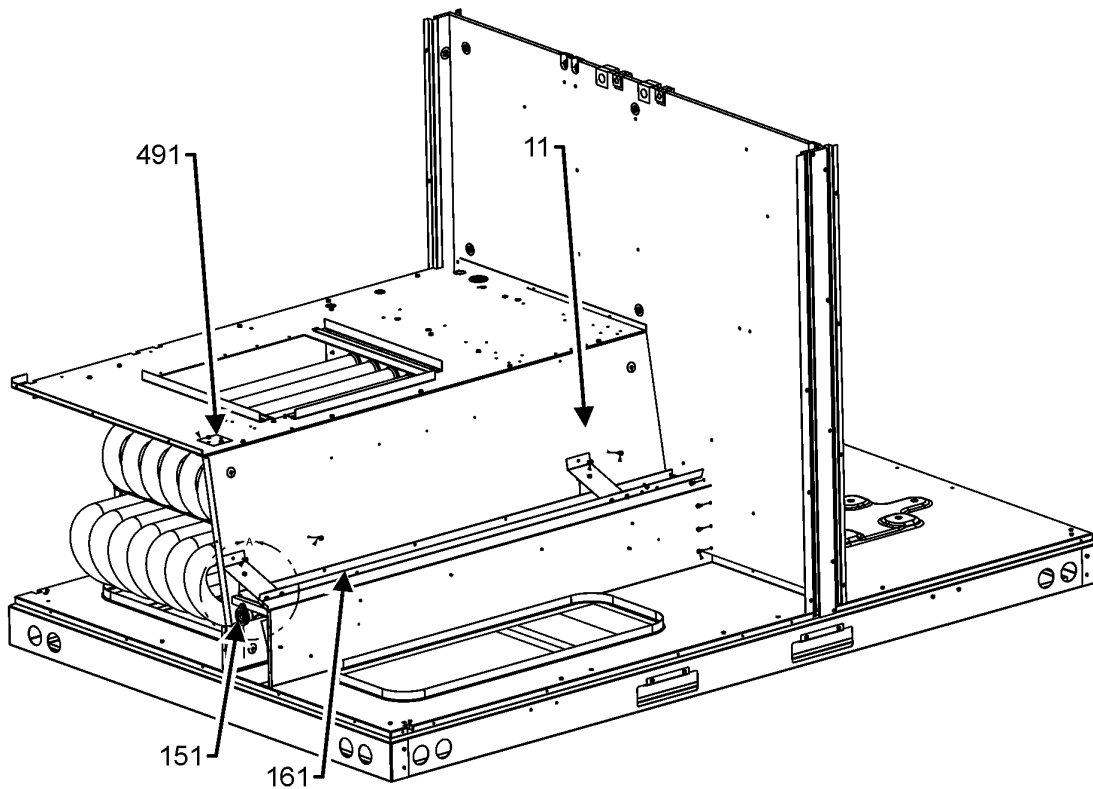
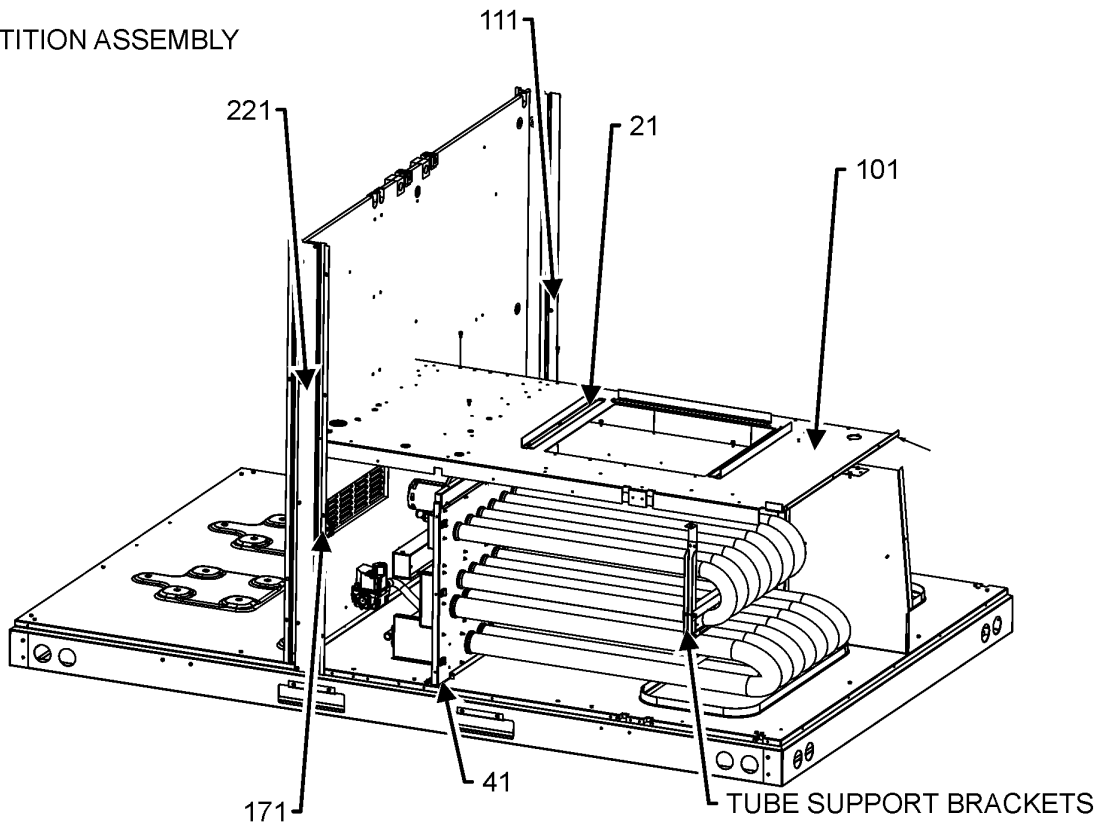
Ref. Part No:	Ref. Part No:	Description:	Description:
Image 1:			
31	0201L00763	ASSY., COND COIL ,BENT	
41	0202L00572	ASSY, EVAP COIL	
51	0201L00873	ASSY., COND COIL ,BENT	
61	0121L04869SB	PAINTED COIL BLOCKOFF	
121	0130M00730	SWITCH, HIGH PRESSURE (QTY 2)	
131	0130M00732	SWITCH, LOW PRESSURE (QTY 2)	
141	0162R00056	FILTER/DRIER-BI-FLOW (QTY 2)	
221	10625733	BLADE-FAN 22" ALUM CCW (QTY 2)	
231	0131M00907	MOTOR, HP, 1/3, OD (M4, M5, M6)	
231	0131M00908	MOTOR, HP, 1/3, OD, LAK (M7, M8, M9)	
231	0131M00906	MOTOR, HP, 1/3, SP, 1, PL, 6 (M1, M2, M3)	
241	0152G00000	FAN GRILLE, RAISED (QTY 2)	
251	0161R00048	MOLDED RING VENTURI 22 (QTY 2)	
261	0163M00004	SCREW #10X3/4 BLK (QTY 16)	
271	0163M00006P	NUT, ACORN 5/16 HEX BLACK (QTY 8)	
281	0121L04871	COIL BLOCKOFF	
291	0121L04872	COIL BLOCKOFF	
301	0161R00003P	CONDUIT (QTY 2)	
311	0121L04721SB	PAINTED PANEL TOP INDOOR	
371	0121L04115	CHANNEL	
511	B1339533	GROMMET, COMPRESSOR (QTY 8)	
521	ZP44K5ETFD130	COMP 44000, 460/60/3 (M4, M5, M6)	
521	ZP44K5ETF5130	COMP, 44000, 200/230/60/3 (M1, M2, M3)	
521	ZP44K5ETFE130	COMP, 44000, 575/60/3 (M7, M8, M9)	
531	B1393740	COMP BOLT & SLEEVE (QTY 8)	
NS	0160L00136	AIR FILTER (QTY 2)	
NS	0160L00137	AIR FILTER (QTY 2)	
NS	0159L00066	HARNESS, COMP SCROLL (M4, M5, M6, M7, M8, M9)	
NS	0159L00153	HARNESS, COMP SCROLL (M4, M5, M6, M7, M8, M9)	
NS	0121L04867SB	PAINTED COIL BLOCKOFF	
NS	0121L04868SB	PAINTED COIL BLOCKOFF	
NS	0251L00129	TXV, & FLOWRATOR ASSY (QTY 2)	
NS	M0272803	WASHER LOCK (QTY 4)	
NS	0163M00005P	WASHER, BLACK .50OD.218ID (QTY 8)	

Expanded Model Nomenclature

M1 - DFG1023DH00001SAA
M2 - DFG1023DL00001SAA
M3 - DFG1023DM00001SAA
M4 - DFG1024DH00001SAA
M5 - DFG1024DL00001SAA
M6 - DFG1024DM00001SAA
M7 - DFG1027DH00001SAA
M8 - DFG1027DL00001SAA
M9 - DFG1027DM00001SAA

PARTITION ASSEMBLY

PARTITION ASSEMBLY



NOTE: PARTITION ASSEMBLY MAY DIFFER FROM WHAT IS SHOWN

PARTITION ASSEMBLY

Ref. Part No:	No:	Description:	Ref. Part No:	No:	Description:
---------------	-----	--------------	---------------	-----	--------------

Image 1:

11	0121L04789	BLOWER DECK BOTTOM
21	0121L02651	BLOWER SLIDE PLATE (QTY 3)
41	0121L02337	HEAT EXCHANGER RAIL
41	0121L03676	HEAT EXCHANGER RAIL
101	0121L04139	BLOWER DECK
111	0121L03187SB	PAINTED SIDE POST
151	0154L00009	GASKET DRAIN PAN
161	0161L00002	DRAIN PAN EVAP 7TO12
171	11112501	SWITCH-PRESSURE
221	0121L03469SB	PAINTED SIDE POST
491	0121L00321	COVER SMOKE DETECTOR
NS	0121L02903	BRACKET, TUBE SUPPORT
NS	0121L02904	BRACKET, TUBE SUPPORT
NS	0121L04024	BRACKET, TUBE SUPPORT
NS	0121L02929	BRACKET,MOUNT SUPPORT TUBE
NS	0121L04792	DRAIN PAN SUPPORT (QTY 3)
NS	0154L00157	GASKET
NS	0161L00012	PLUG DRAIN PAN

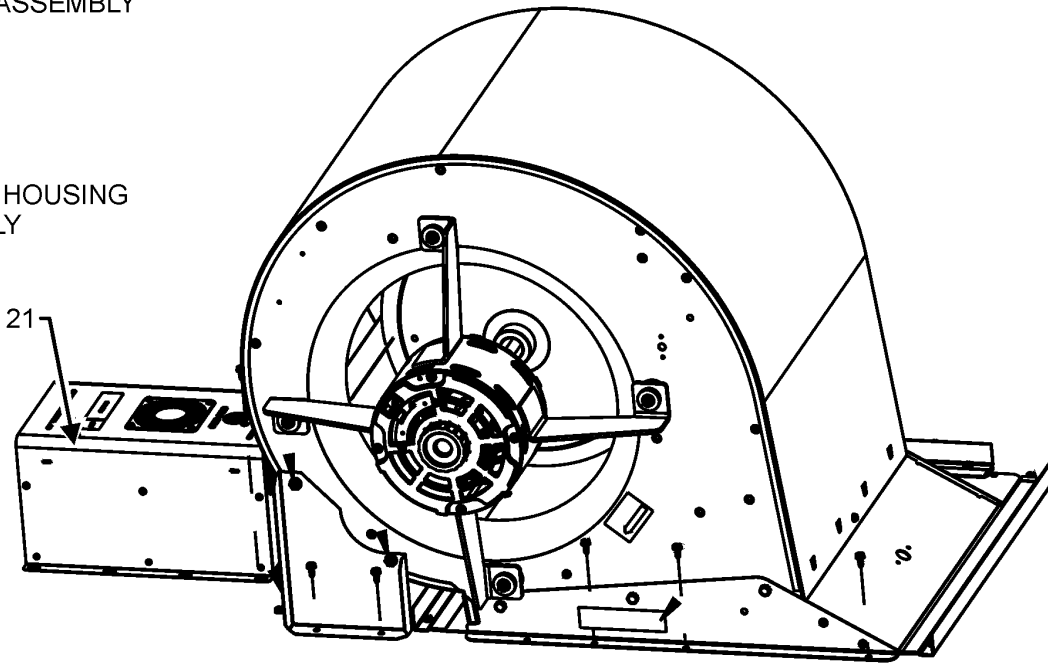
Expanded Model Nomenclature

M1 - DFG1023DH00001SAA
M2 - DFG1023DL00001SAA
M3 - DFG1023DM00001SAA
M4 - DFG1024DH00001SAA
M5 - DFG1024DL00001SAA
M6 - DFG1024DM00001SAA
M7 - DFG1027DH00001SAA
M8 - DFG1027DL00001SAA
M9 - DFG1027DM00001SAA

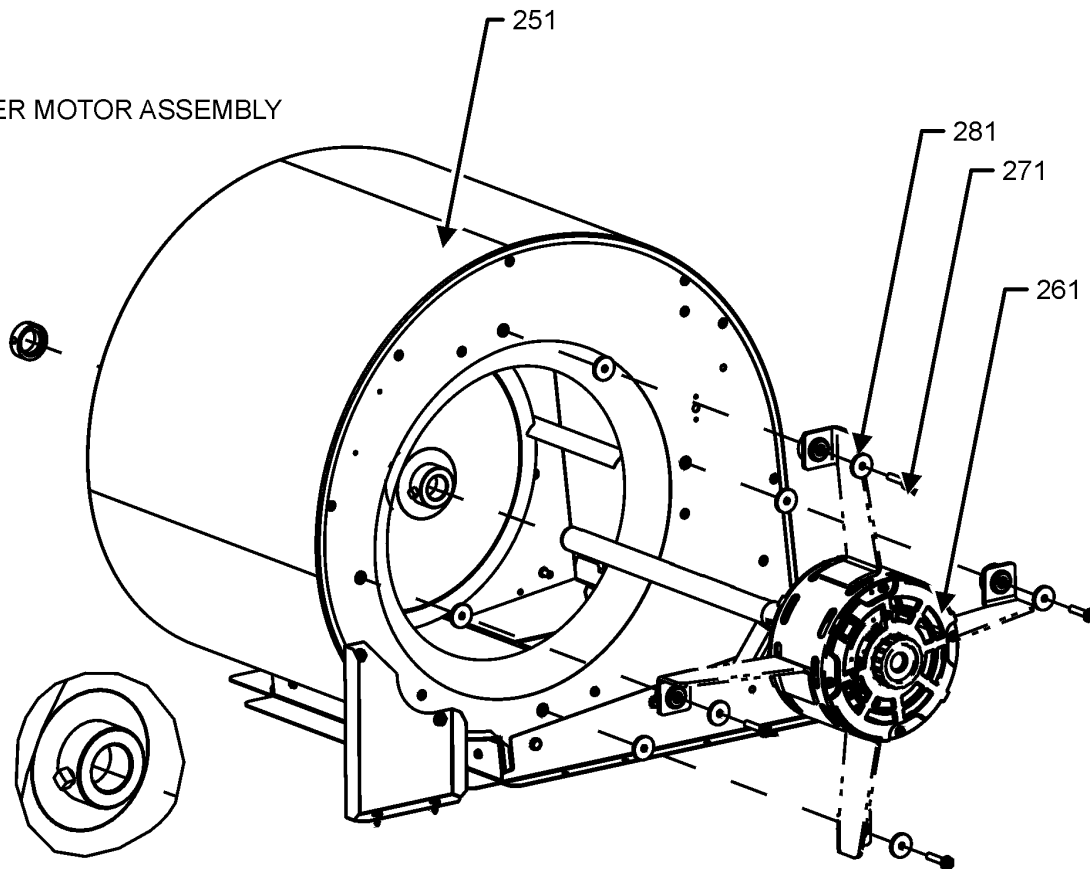
BLOWER ASSEMBLY

BLOWER ASSEMBLY

BLOWER HOUSING ASSEMBLY



BLOWER MOTOR ASSEMBLY



BLOWER ASSEMBLY MAY DIFFER FROM WHAT IS SHOWN

BLOWER ASSEMBLY

Ref. Part No:	No:	Description:	Ref. Part No:	No:	Description:
---------------	-----	--------------	---------------	-----	--------------

Image 1:

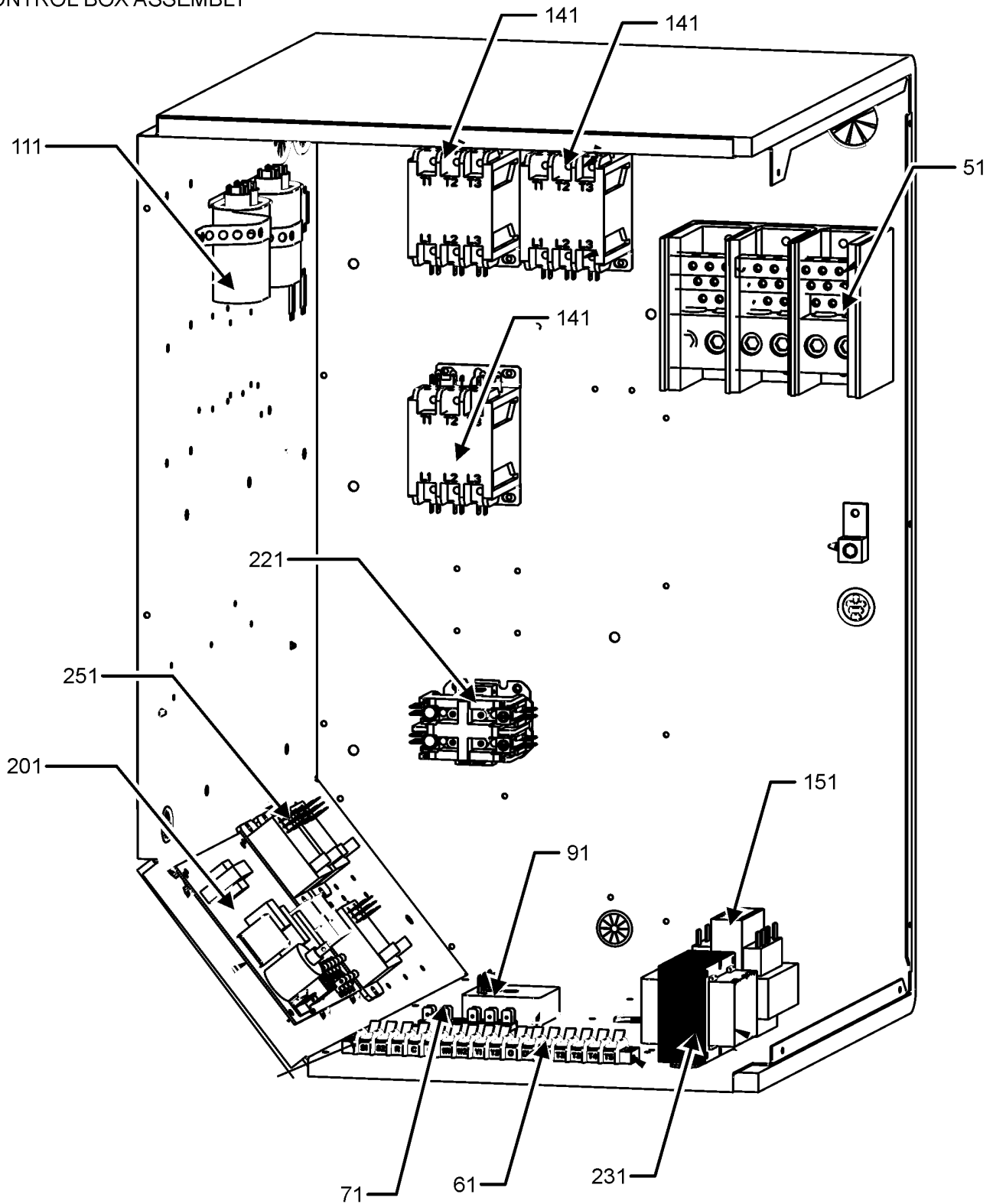
21	0131L00236	MOTOR CONTROLLER (M1, M2, M3)
21	0131L00238	MOTOR CONTROLLER (M4, M5, M6)
21	0131L00240	MOTOR CONTROLLER (M7, M8, M9)
251	0271L00147	ASSY, BLOWER PURCHASED 16X16 (M1, M2, M3, M4, M5, M6)
261	0131L00426	PROGRAMMED, MOTOR (M2, M5, M8)
261	0131L00429	PROGRAMMED, MOTOR (M3, M6, M9)
261	0131L00432	PROGRAMMED, MOTOR (M1, M4, M7)
271	M0250565	SCREW-TC 1.25" (QTY 4)
281	B1392918	WASHER FLAT 1/4IDX1OD (QTY 8)
NS	20162904	LIMIT, PRIMARY

Expanded Model Nomenclature

M1 - DFG1023DH00001SAA
M2 - DFG1023DL00001SAA
M3 - DFG1023DM00001SAA
M4 - DFG1024DH00001SAA
M5 - DFG1024DL00001SAA
M6 - DFG1024DM00001SAA
M7 - DFG1027DH00001SAA
M8 - DFG1027DL00001SAA
M9 - DFG1027DM00001SAA

CONTROL BOX ASSEMBLY

CONTROL BOX ASSEMBLY



CONTROL BOX ASSEMBLY MAY DIFFER FROM WHAT IS SHOWN

CONTROL BOX ASSEMBLY

Ref. Part No:	No:	Description:	Ref. Part No:	No:	Description:
---------------	-----	--------------	---------------	-----	--------------

Image 1:

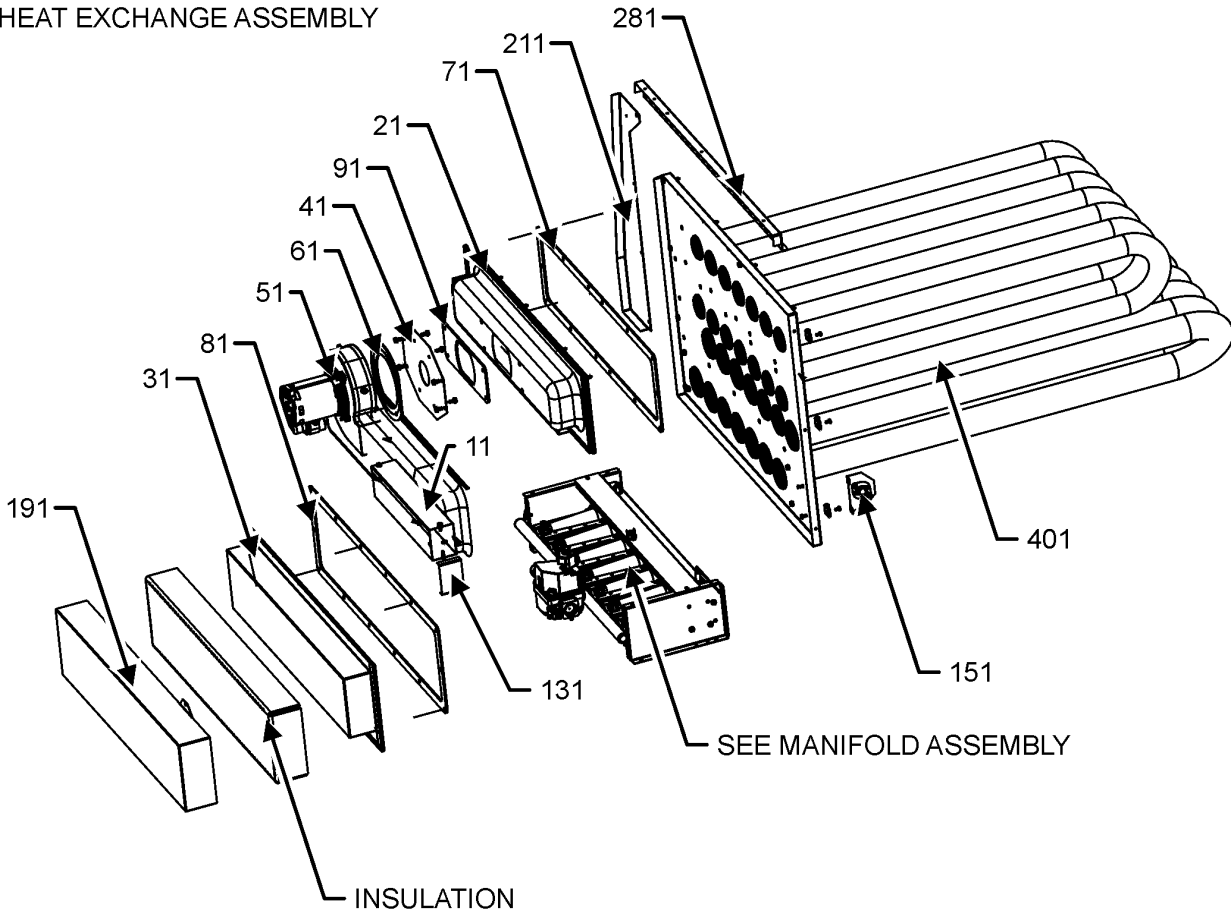
51	0130L00217	POWER,BLOCK
61	0130M00038	TERMINAL BOARD
71	802007090	TERM BOARD
91	B1370772	TIME DEALY ICM 180SEC DELA
111	CAP100000370LA	CAP, 10 MFD/370V/OVAL (M1, M2, M3, M4, M5, M6)
111	CAP050000440LA	CAPACITOR (M7, M8, M9)
141	CONT3P030024V	CONT, 3 POLE 30 AMP 24VAC (QTY 3)
151	0130M00594	TRANSFORMER (M1, M2, M3)
151	0130M00595	TRANSFORMER (M4, M5, M6)
151	0130M00598	TRANSFORMER (M7, M8, M9)
201	PCBAG123	PCB IGNITION DSI INTEG
221	CONT2P025024V	CONT 2 POLE 25 AMP 24 VAC
231	0130M00596	TRANSFORMER (M4, M5, M6)
231	0130M00597	TRANSFORMER (M7, M8, M9)
251	0130M00178	DPDT RELAY 24VAC (QTY 3)
NS	0164M00127	BOOT, CAPACITOR (QTY 2)
NS	20520901	STRAP-CAPACITOR (QTY 7)

Expanded Model Nomenclature

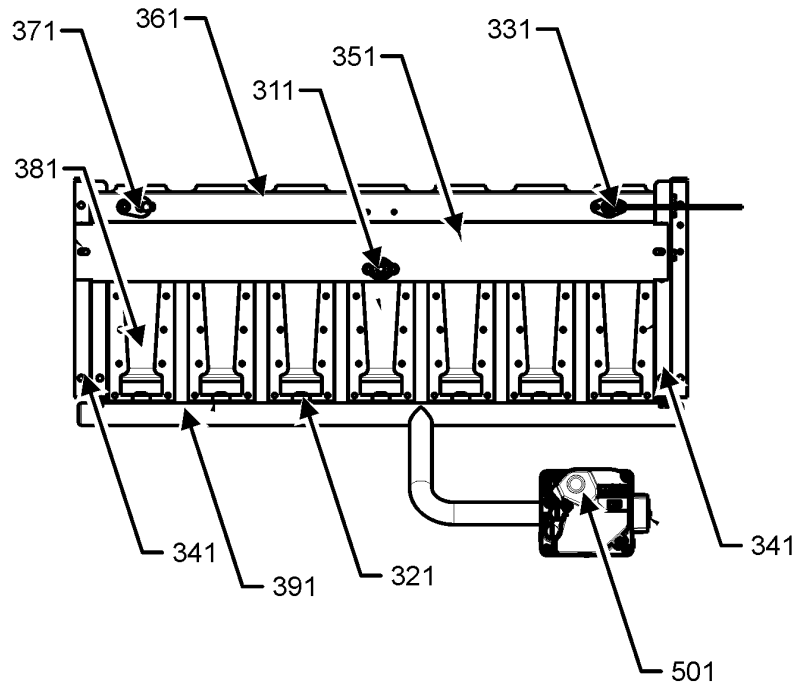
M1 - DFG1023DH00001SAA
M2 - DFG1023DL00001SAA
M3 - DFG1023DM00001SAA
M4 - DFG1024DH00001SAA
M5 - DFG1024DL00001SAA
M6 - DFG1024DM00001SAA
M7 - DFG1027DH00001SAA
M8 - DFG1027DL00001SAA
M9 - DFG1027DM00001SAA

HEAT EXCHANGE ASSEMBLY

HEAT EXCHANGE ASSEMBLY



MANIFOLD ASSEMBLY



HEAT EXCHANGE ASSY MAY DIFFER FROM WHAT IS SHOWN

HEAT EXCHANGE ASSEMBLY

Ref. Part No:	Ref. Part No:	Description:	Description:
Image 1:			
11	0121L03623	FLUE HT EXCH (QTY 2)	
21	0121L01666	COLLECTOR BOX	
31	0121L01667	COLLECTOR BOX	
41	0121L03181	PLATE, ORIFICE (M1, M4, M7)	
41	0121L03193	PLATE, ORIFICE (M2, M5, M8)	
41	0121L04771	PLATE, ORIFICE (M3, M6, M9)	
51	0131L00120	VENT MOTOR	
61	0154L00141	GASKET	
71	0154L00039	GASKET	
81	0154L00038	GASKET	
91	0154L00228	GASKET	
131	0163L00006	SCREEN FLUE	
151	0130F00067	LIMIT, PRIMARY (M3, M6, M9)	
151	0130F00071	LIMIT, PRIMARY (M1, M4, M7)	
151	20162906	LIMIT, PRIMARY (M2, M5, M8)	
191	0121L02660	COVER INSUL BOX COLL LOWER	
211	0121L03220	HEAT EXCHANGER BLOCKOFF	
281	0121L03221	SUPPORT BLOCKOFF HT EXCH	
311	10123532	LIMIT-RESET MAN-GRAY (M3, M6, M9)	
311	10123529	LIMIT-RESET MAN-GREEN (M1, M2, M4, M5, M7, M8)	
321	0163L00020	ORIFICE (M1, M4, M7)	
321	0163L00021	ORIFICE (M3, M6, M9)	
321	0163L00195	ORIFICE (M2, M5, M8)	
331	0130L00251	IGNITOR	
341	0121L02998	BRACKET SUPPORT BURNER (QTY 2)	
351	0121L03025	BRACKET, ROLLOUT, FLAME, BR, 5 (M2, M5, M8)	
351	0121L03024	BRACKET, ROLLOUT, FLAME, BR, 6 (M3, M6, M9)	
351	0121L03023	BRACKET, ROLLOUT, FLAME, BR, 7 (M1, M4, M7)	
361	0121L02692	BRACKET, BURNER, 5 (M2, M5, M8)	
361	0121L02691	BRACKET, BURNER, 6 (M3, M6, M9)	
361	0121L02690	BRACKET, BURNER, 7 (M1, M4, M7)	
371	0130F00010	FLAME SENSOR	
381	0163L00006	BURNER BECKETT	
391	0163L00144	MANIFOLD (M1, M4, M7)	
391	0163L00145	MANIFOLD (M3, M6, M9)	
391	0163L00162	MANIFOLD (M2, M5, M8)	
401	0270L01355	ASSY., PANEL PARTITION (M1, M4, M7)	
401	0270L01356	ASSY., PANEL PARTITION (M3, M6, M9)	
401	0270L01357	ASSY., PANEL PARTITION (M2, M5, M8)	
501	0151L00000	GAS VALVE MANIFOLD 36H	
NS	0121L02859	BRACKET, LIMIT PRIMARY	
NS	0259L01055	WIRE HARNESS ASSY	

Expanded Model Nomenclature

M1 - DFG1023DH00001SAA
M2 - DFG1023DL00001SAA
M3 - DFG1023DM00001SAA
M4 - DFG1024DH00001SAA
M5 - DFG1024DL00001SAA
M6 - DFG1024DM00001SAA
M7 - DFG1027DH00001SAA
M8 - DFG1027DL00001SAA
M9 - DFG1027DM00001SAA

ACCESSORY PARTS LIST

NOTE: NOT ALL OPTIONS AVAILABLE FOR ALL PRODUCTS

FOR ACCESSORY PARTS SEE THE FOLLOWING PART MANUAL

RP-FIOPMC

Ref. Part

No: No:

Description:

Ref. Part

No: No:

Description:

Image 1:

NS RP-FIOPM* ACCESSORY RP MANUAL

NS RP-HXM* ACCESSORY RP MANUAL

Expanded Model Nomenclature

M1 - DFG1023DH00001SAA

M2 - DFG1023DL00001SAA

M3 - DFG1023DM00001SAA

M4 - DFG1024DH00001SAA

M5 - DFG1024DL00001SAA

M6 - DFG1024DM00001SAA

M7 - DFG1027DH00001SAA

M8 - DFG1027DL00001SAA

M9 - DFG1027DM00001SAA