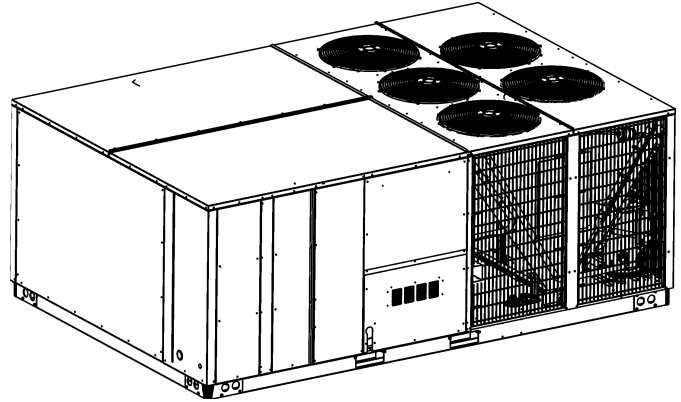


## Commercial 25 Ton Direct Drive Air Conditioner

DFC3003D000001SAA  
DFC3004D000001SAA  
DFC3007D000001SAA



This manual is to be used by qualified technicians only.

# Important Information

---

## Index

Functional Parts List .....	3
Illustration and Parts .....	4 - 17

*Views shown are for parts illustrations only, not servicing procedures.*

### Text Codes:

AR - As Required

NA - Not Available

NS - Not Shown

00000000 - See Note

QTY - Quantity Example (QTY 3) (If Quantity not shown, Quantity = 1)

M - Model Example (M1) (If M Code not shown, then part is used on all Models)

### Expanded Model Nomenclature:

Example
M1 - Model#1
M2 - Model#2
M3 - Model#3

Daikin Comfort Technologies Manufacturing , L.P. is not responsible for personal injury or property damage resulting from improper service. Review all service information before beginning repairs.

Warranty service must be performed by an authorized technician, using authorized factory parts. If service is required after the warranty expires, Daikin Comfort Technologies Manufacturing , L.P. also recommends contacting an authorized technician and using authorized factory parts.

Daikin Comfort Technologies Manufacturing , L.P. reserves the right to discontinue, or change at any time, specifications or designs without notice or without incurring obligations.

For assistance within the U.S.A. contact:  
Equipment Support  
Daikin Comfort Technologies Manufacturing , L.P.  
19001 Kermier Road  
Waller, Texas 77484  
855-770-5678-Telephone  
713-863-2382-Facsimile

For assistance outside the U.S.A. contact:  
International Division  
Daikin Comfort Technologies Manufacturing , L.P.  
19001 Kermier Road  
Waller, Texas 77484  
713-861-2500-Telephone  
713-863-2382-Facsimile

# Functional Parts

## Part

## No: Description:

---

0202L00610	ASSY., EVAPORATOR COIL
0251L00136	ASSY., EXPANSION VALVE C1
0251L00144	ASSY., EXPANSION VALVE C2
0130M00249	AUXILLARY SWITCH (QTY 2)
CAP100000370LA	CAP, 10 MFD/370V/OVAL (QTY 5)
ZP137KCETFD155	Comp, 135,000, 460/60/3 (M2)
ZP137KCETFE155	Comp, 136,000, 575/60/3 (M3)
ZP137KCETF5250	COMP, 137,000, 200/230/60/3 (M1)
0201L00845	COND COIL, MICROCHNL 25MM (QTY 2)
CONT2P025024V	CONT 2 POLE 25 AMP 24 VAC (QTY 2)
CONT3P030024V	CONT 3 POLE 30 AMP 24 VAC (QTY 2)
CONT3P030024V	CONT 3 POLE 30 AMP 24 VAC (QTY 2)
0130L00276	CRANK CASE HEATER, 90W, 240V (M1)
0130L00277	CRANK CASE HEATER, 90W, 480V (M2)
0130L00278	CRANK CASE HEATER, 90W, 575V (M3)
0130M00178	DPDT RELAY 24VAC (QTY 3)
0131L00216	MOTOR 5.0 HP (M3)
0131L00215	MOTOR 5.0 HP (M2)
0131L00214	MOTOR 5.0 HP (M1)
0131L00213	MOTOR CONTROLLER (M3)
0131L00211	MOTOR CONTROLLER (M1)
0131L00212	MOTOR CONTROLLER (M2)
0131M00925	Nidec Motor, 1/2 HP (M1)
0131M00926	Nidec Motor, 1/2 HP (M2)
0131M00930	Nidec Motor, 1/2 HP (M3)
0131L00384	PROGRAM MOTOR
10135604	RELAY (QTY 2)
0130M00738	SWITCH HIGH PRESSURE (QTY 2)
0130M00732	SWITCH LOW PRESSURE (QTY 2)
0130L00207	TRANSFORMER (M3)
0130L00206	TRANSFORMER (M2)
0130L00205	TRANSFORMER (M1)

### SPECIAL PARTS

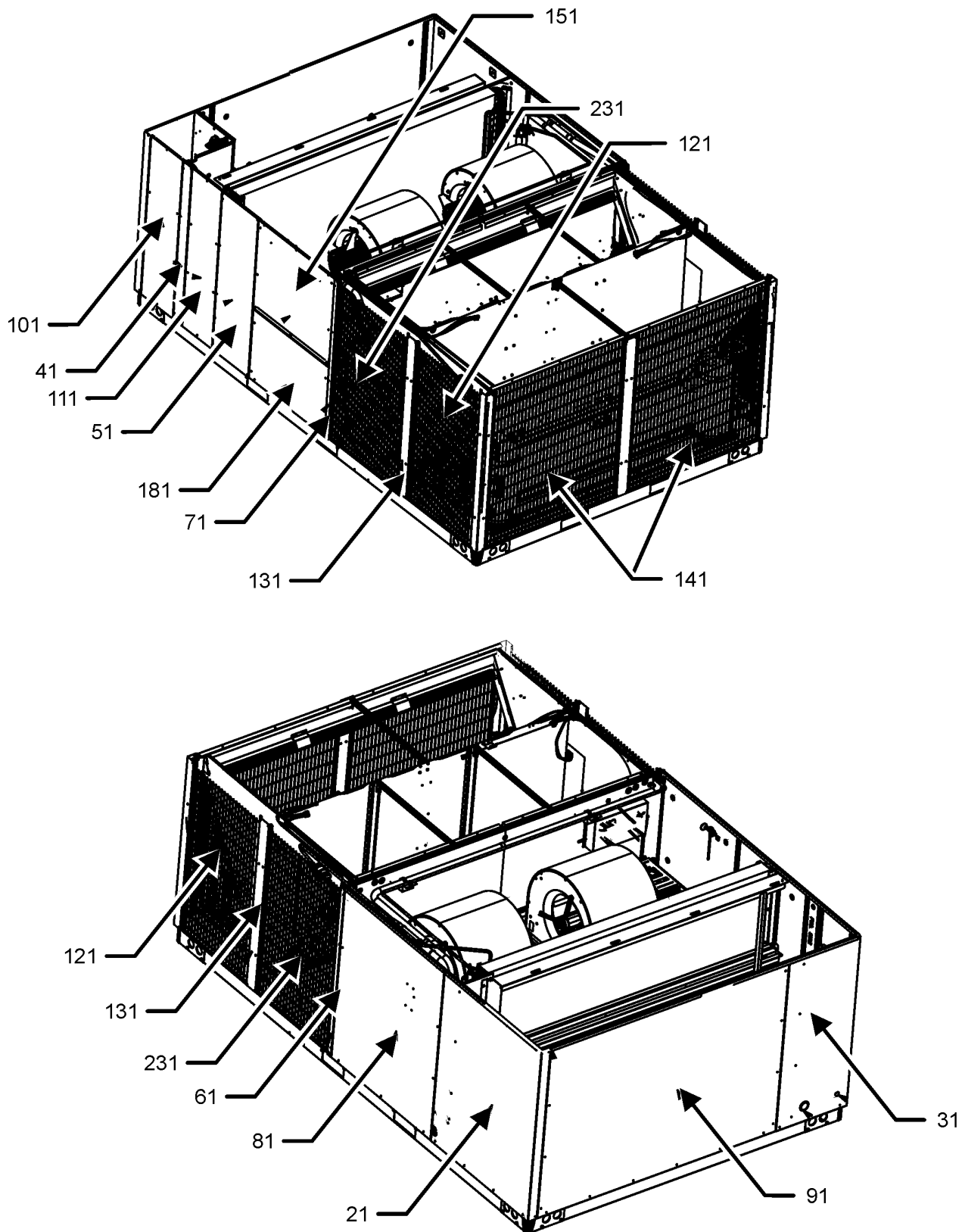
RP-FIOPL*	ACCESSORY RP MANUAL
RP-EH[S,X]*L*	ACCESSORY RP MANUAL

### Expanded Model Nomenclature

M1 - DFC3003D000001SAA
M2 - DFC3004D000001SAA
M3 - DFC3007D000001SAA

# Cabinet Assembly

## CABINET ASSEMBLY



CABINET ASSEMBLY MAY DIFFER FROM WHAT IS SHOWN

# Cabinet Assembly

Ref. Part No:	No:	Description:	Ref. Part No:	No:	Description:
---------------	-----	--------------	---------------	-----	--------------

---

**Image 1:**

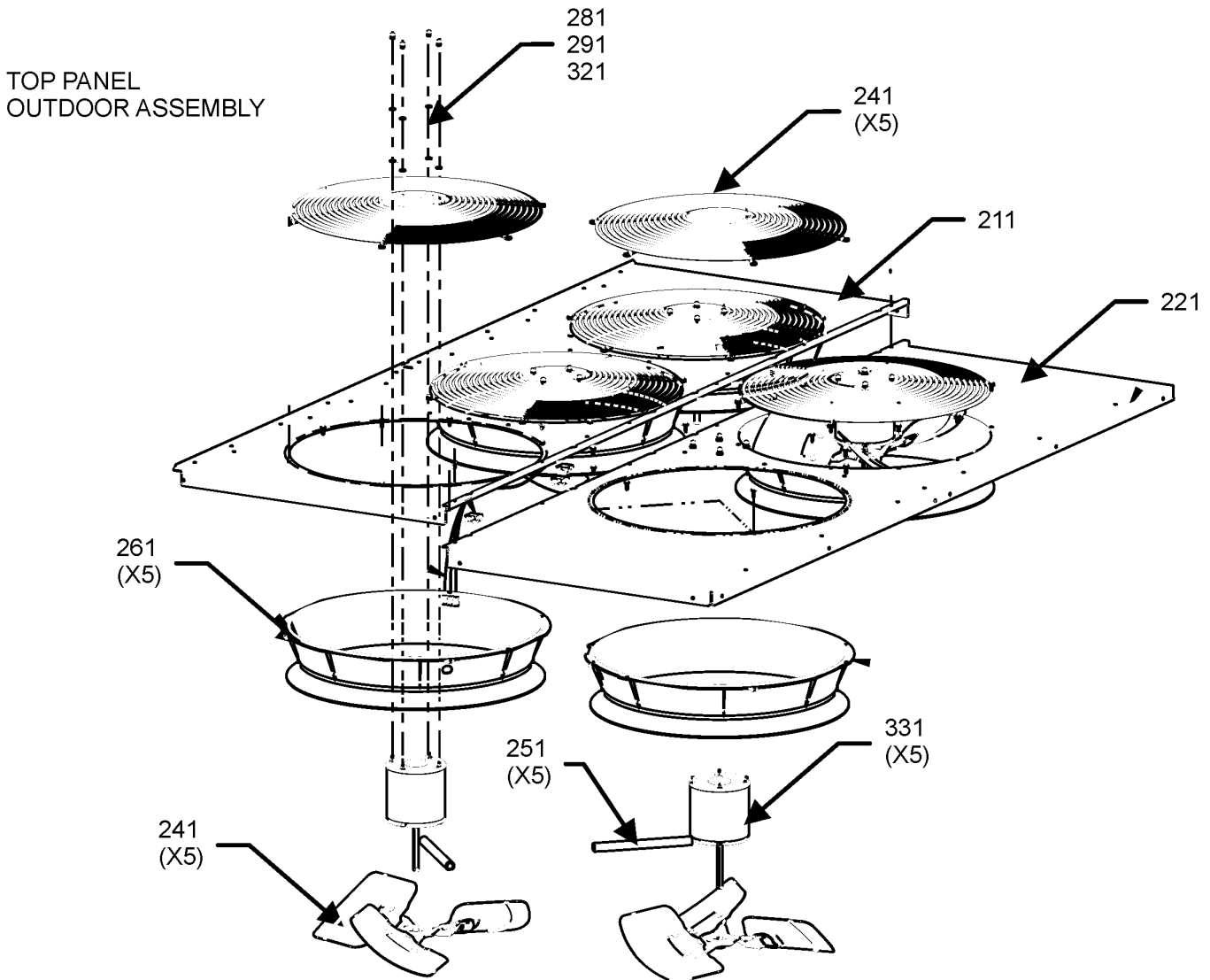
21	0121L00681SB	PAINTED EVAP PANEL
31	0121L04499SB	PAINTED PANEL CONTROL CORNER
41	0121L04498SB	PAINTED POST CONTROL/FILTER
51	0121L00710SB	PNT POST/BLOWER DOOR
61	0121L04679SB	PAINTED POST PARTITION EVAP
71	0121L04681SB	PAINTED POST PARTITION GAS
81	0121L00685SB	PNT DOOR BLWR EVAP SIDE
91	0121L00688SB	PNT ACCESSORY PANEL
101	0121L00687SB	PNT CONTROL DOOR
111	0121L00686SB	PNT DOOR FILTER
121	0152L00022	GRILL CONDENSER (QTY 2)
131	0121L01144SB	POST COND PANEL PNT (QTY 2)
141	0152L00019	GRILL CONDENSER (QTY 2)
151	0121L00713SB	PNT DOOR BLOWER GAS SIDE
181	0121L00708SB	PNT DOOR ELECTRIC HEAT
231	0152L00023	GRILL CONDENSER (QTY 2)
NS	B1392156	PLASTIC CAP 2 1/8
NS	0163M00097	SCREW WASHED (QTY 104)

**Expanded Model Nomenclature**

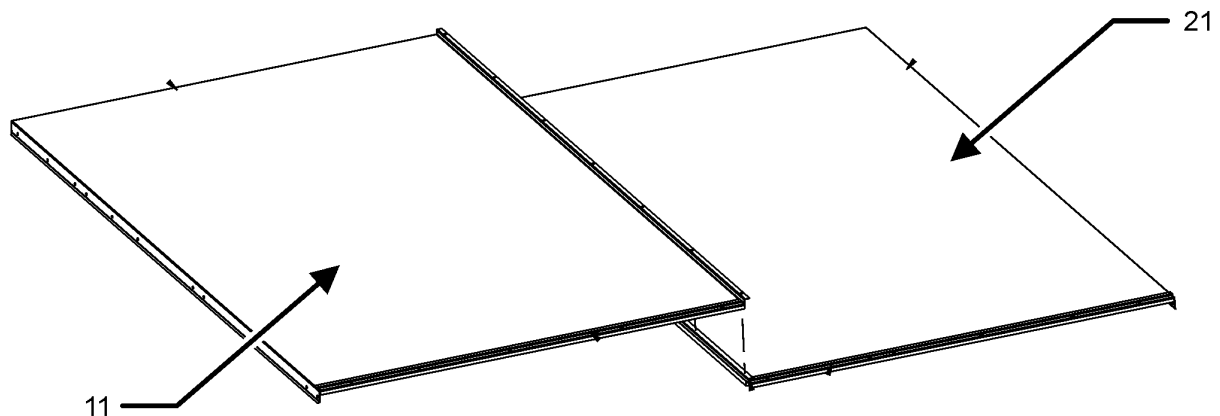
M1 - DFC3003D000001SAA
M2 - DFC3004D000001SAA
M3 - DFC3007D000001SAA

# Top Panel Assembly

## TOP PANEL ASSEMBLY



## TOP PANEL INDOOR ASSEMBLY



TOP PANEL ASSEMBLIES MAY DIFFER FROM WHAT IS SHOWN

# Top Panel Assembly

Ref. Part No:	No:	Description:	Ref. Part No:	No:	Description:
---------------	-----	--------------	---------------	-----	--------------

---

**Image 1:**

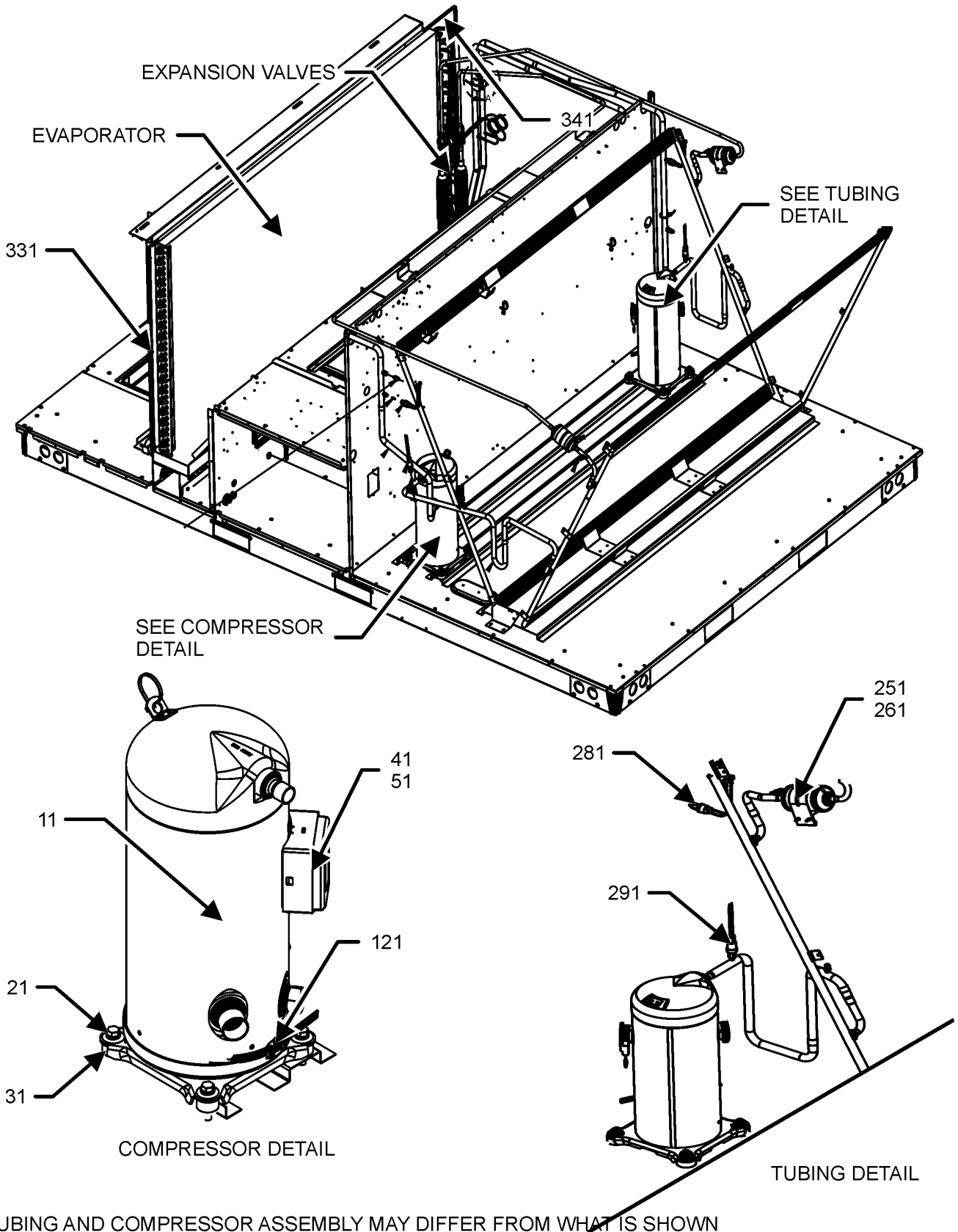
11	0121L00693SB	TOP CONTROL SIDE PNT
21	0121L00694SB	TOP PANEL ASSY PNT
211	0121L04969SB	PAINTED TOP FAN FAN MOUNT
221	0121L04970SB	PAINTED, TOP PANEL, FAN MOUNT
241	0152G00000	FAN GRILLE, RAISED (QTY 5)
251	0161R00003P	CONDUIT (QTY 5)
261	0161R00048	MOLDED RING VENTURI 22 (QTY 5)
271	0150M00065	FAN BLADE, 22' (QTY 5)
281	0163M00006P	NUT ACORN 5/16 HEX BLACK (QTY 20)
291	0163M00005P	WASHER BLACK .50 OD .218ID (QTY 20)
321	M0272803	WASHER LOCK (QTY 20)
331	0131M00925	Nidec Motor, 1/2 HP (M1)
331	0131M00926	Nidec Motor, 1/2 HP (M2)
331	0131M00930	Nidec Motor, 1/2 HP (M3)
NS	0259L02125	WIRE HARNESS ASSY

**Expanded Model Nomenclature**

M1 - DFC3003D000001SAA
M2 - DFC3004D000001SAA
M3 - DFC3007D000001SAA

# Tubing and Compressor Assembly

## TUBING AND COMPRESSOR ASSEMBLY



TUBING AND COMPRESSOR ASSEMBLY MAY DIFFER FROM WHAT IS SHOWN

# Tubing and Compressor Assembly

Ref. Part

No: No:

Description:

Ref. Part

No: No:

Description:

**Image 1:**

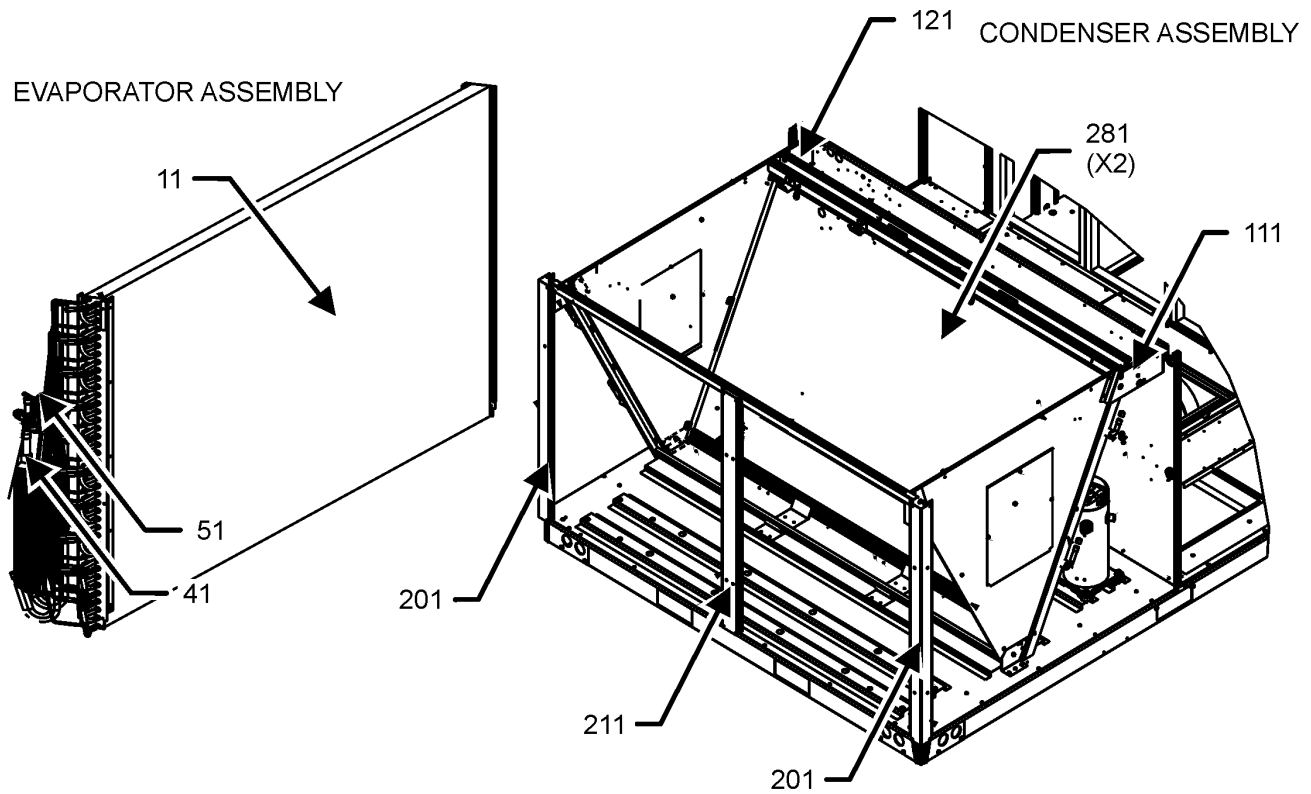
11	ZP137KCETFD155	Comp, 135,000, 460/60/3 (M2)
11	ZP137KCETFE155	Comp, 136,000, 575/60/3 (M3)
11	ZP137KCETF5250	COMP, 137,000, 200/230/60/3 (M1)
21	0164M00018	GROMMET COMPRESSOR (QTY 8)
31	B1393740	COMP BOLT SLEEVE (QTY 8)
41	0159L00147	HARNESS, SCROLL COMPRESSOR (M2, M3)
41	0159L00151	HARNESS, SCROLL COMPRESSOR (M1)
51	0159L00148	HARNESS, SCROLL COMPRESSOR (M2, M3)
51	0159L00152	HARNESS, SCROLL COMPRESSOR (M1)
121	0130L00276	CRANK CASE HEATER, 90W, 240V (M1)
121	0130L00277	CRANK CASE HEATER, 90W, 480V (M2)
121	0130L00278	CRANK CASE HEATER, 90W, 575V (M3)
251	0162M00469	FILTER DRIER
261	0162M00469	FILTER DRIER
281	0130M00732	SWITCH LOW PRESSURE (QTY 2)
291	0130M00738	SWITCH HIGH PRESSURE (QTY 2)
331	0121L04512	BLOCK OFF EVAPORATOR
341	0121L04866	BLOCK OFF EVAPORATOR (QTY 2)
NS	B1373315	ACCESS FITTING (QTY 4)
NS	0141L00029	BOARD FORK (QTY 2)
NS	0121L00724	BRACKET FORK BOARD (QTY 4)
NS	0151M00104	VALVE CORE (QTY 6)

**Expanded Model Nomenclature**

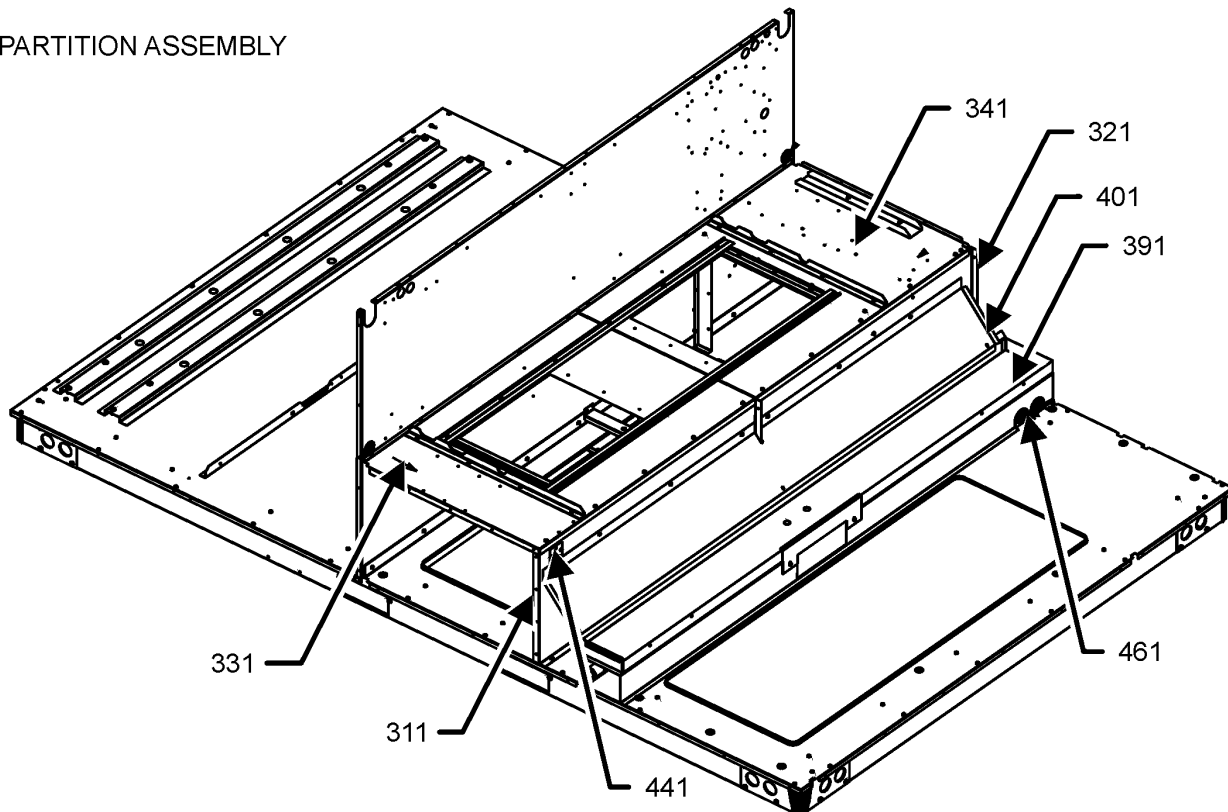
M1 - DFC3003D000001SAA
M2 - DFC3004D000001SAA
M3 - DFC3007D000001SAA

# Partition, Evaporator, Condenser Assembly

## PARTITION, EVAPORATOR, CONDENSER ASSEMBLY



## PARTITION ASSEMBLY



PARTITION, EVAPORATOR, CONDENSER ASSEMBLY MAY DIFFER FROM WHAT IS SHOWN

# Partition, Evaporator, Condenser Assembly

Ref. Part No:	Part No:	Description:	Ref. Part No:	Part No:	Description:
<b>Image 1:</b>					
11	0202L00610	ASSY., EVAPORATOR COIL			
41	0251L00136	ASSY., EXPANSION VALVE C1			
51	0251L00144	ASSY., EXPANSION VALVE C2			
111	0121L04635	BRACKET - CONDENSOR END			
121	0121L04529	BRACKET - CONDENSOR END			
201	0121L04608SB	PAINTED CORNER POST (QTY 2)			
211	0121L01144SB	POST COND PANEL PNT (QTY 2)			
281	0201L00845	COND COIL, MICROCHNL 25MM (QTY 2)			
311	0121L04782	DECK SIDE DUCT END			
321	0121L04944	DECK SIDE HEAT END			
331	0121L04859	DECK CLOWER EVAP SIE			
341	0121L05044	DECK CONTROL BOX END			
391	0270L02431DG	PAINTED DRAIN PAN WELDMNT			
401	0121L04929	SHIELD BLOWOFF			
441	0121L00321	COVER SMOKE DETECTOR			
461	0164G00004	GROMMET HORSESHOE 1.75 (QTY 2)			
NS	0160L00136	AIR FILTER (QTY 8)			
NS	0121L00593	COVER FLUW HOLE			
NS	0163L00045	FITTING DRAIN EXT			
NS	0121L00591	MOUNTING PLATE ELECT HEAT			
NS	0121L00592	SUPPORT ELECTRIC HEAT			

## Expanded Model Nomenclature

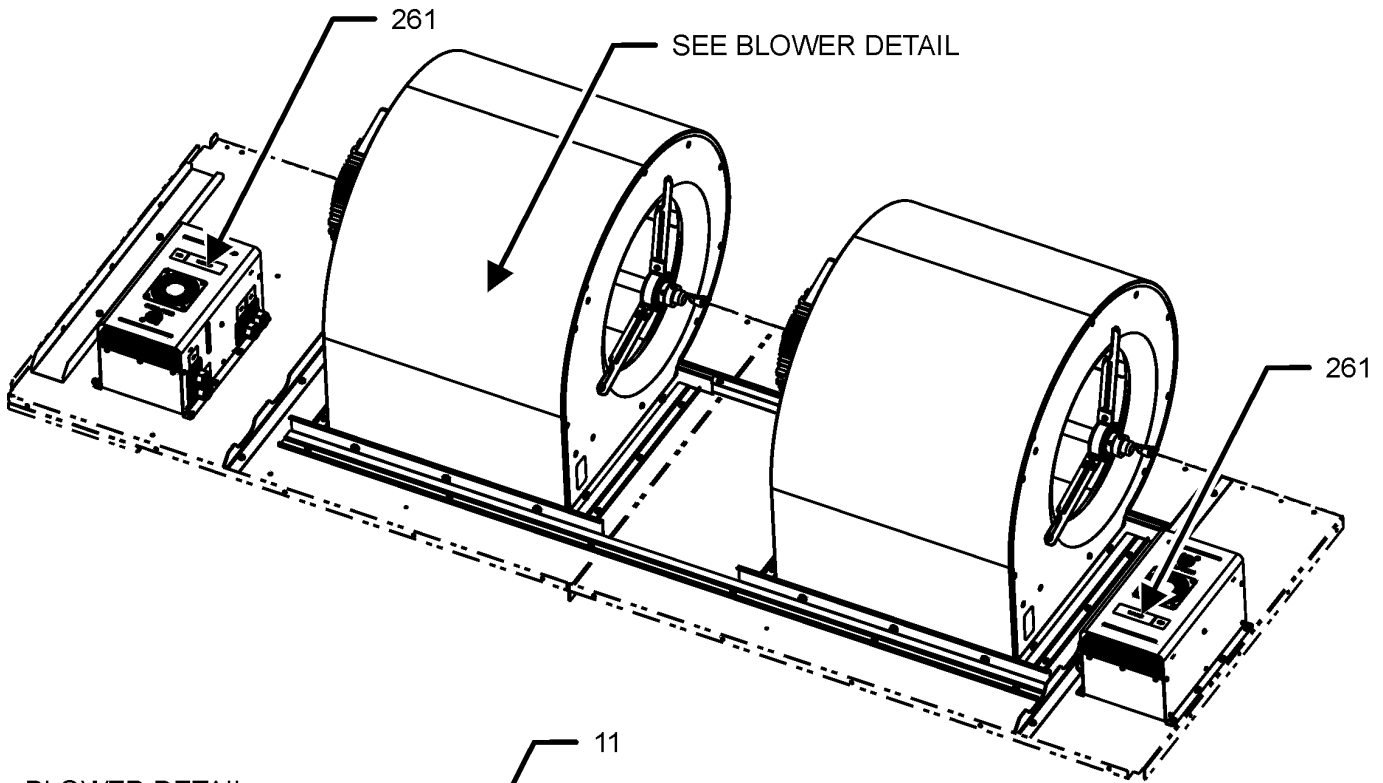
M1 - DFC3003D000001SAA

M2 - DFC3004D000001SAA

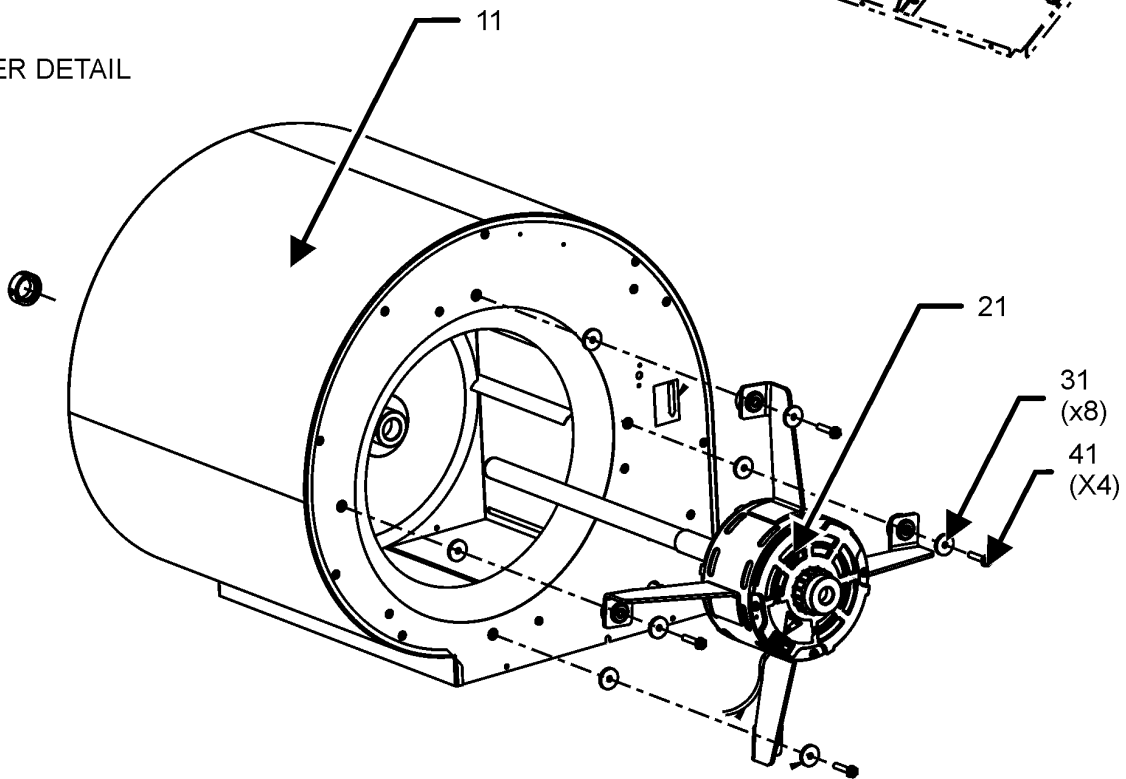
M3 - DFC3007D000001SAA

# Blower Assembly

BLOWER ASSEMBLY



BLOWER DETAIL



BLOWER ASSEMBLY MAY DIFFER FROM WHAT IS SHOWN

# Blower Assembly

Ref. Part No:	No:	Description:	Ref. Part No:	No:	Description:
---------------	-----	--------------	---------------	-----	--------------

---

**Image 1:**

11	0271L00341	ASSY BLOWER (QTY 4)
21	0131L00214	MOTOR 5.0 HP (M1)
21	0131L00215	MOTOR 5.0 HP (M2)
21	0131L00216	MOTOR 5.0 HP (M3)
21	0131L00384	PROGRAM MOTOR
31	B1392918	WASHER FLAT 1/4 IDX1OD (QTY 32)
41	M0250565	SCREW TC 1.25 (QTY 16)
261	0131L00211	MOTOR CONTROLLER (M1)
261	0131L00212	MOTOR CONTROLLER (M2)
261	0131L00213	MOTOR CONTROLLER (M3)

**Expanded Model Nomenclature**

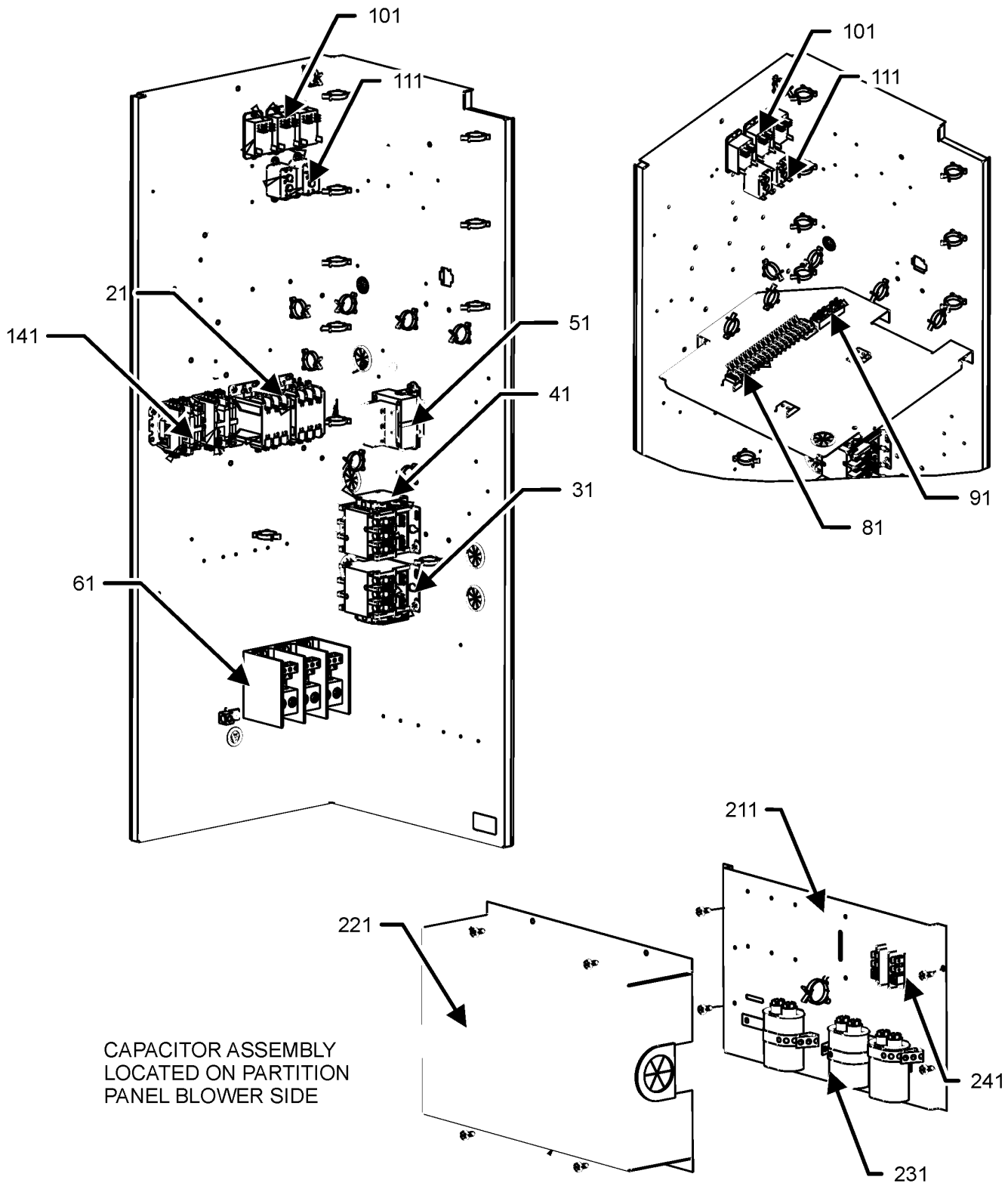
M1 - DFC3003D000001SAA

M2 - DFC3004D000001SAA

M3 - DFC3007D000001SAA

# Control Box Assembly

## CONTROL BOX ASSEMBLY



CAPACITOR ASSEMBLY  
LOCATED ON PARTITION  
PANEL BLOWER SIDE

CONTROL BOX ASSEMBLY MAY DIFFER FROM WHAT IS SHOWN

# Control Box Assembly

Ref. Part No:	No:	Description:	Ref. Part No:	No:	Description:
---------------	-----	--------------	---------------	-----	--------------

---

**Image 1:**

21	CONT3P030024V	CONT 3 POLE 30 AMP 24 VAC (QTY 2)
31	CONT3P030024V	CONT 3 POLE 30 AMP 24 VAC (QTY 2)
41	0130M00249	AUXILLARY SWITCH (QTY 2)
51	0130L00205	TRANSFORMER (M1)
51	0130L00206	TRANSFORMER (M2)
51	0130L00207	TRANSFORMER (M3)
61	0130L00217	POWER BLOCK
81	0130M00038	TERMINAL BOARD
91	802007090	TERM BOARD
101	0130M00178	DPDT RELAY 24VAC (QTY 3)
111	10135604	RELAY (QTY 2)
141	CONT2P025024V	CONT 2 POLE 25 AMP 24 VAC (QTY 2)
211	0121L04684	PLATE CAPACITOR
221	0121L04621	COVER CAPACITOR
231	CAP100000370LA	CAP, 10 MFD/370V/OVAL (QTY 5)
241	B1368250	TERMINAL BLOCK A-10KW
NS	0164G00005	GROMMET HORSESHOE 1.675
NS	20520901	STRAP-CAPACITOR (QTY 5)
NS	B1392104	UNIVERSAL BUSHING UN 875

**Expanded Model Nomenclature**

M1 - DFC3003D000001SAA
M2 - DFC3004D000001SAA
M3 - DFC3007D000001SAA

# ACCESSORY PARTS LIST

NOTE: NOT ALL OPTIONS AVAILABLE FOR ALL PRODUCTS

FOR ACCESSORY PARTS SEE THE FOLLOWING PART MANUAL

RP-FIOPL\*  
RP-EH[X,S]\*L\*

## Accessory parts

**Ref. Part**

**No: No:**

**Description:**

**Ref. Part**

**No: No:**

**Description:**

---

**Image 1:**

NS RP-EH[S,X]\*L\* ACCESSORY RP MANUAL

NS RP-FIOPL\* ACCESSORY RP MANUAL

**Expanded Model Nomenclature**

M1 - DFC3003D000001SAA

M2 - DFC3004D000001SAA

M3 - DFC3007D000001SAA