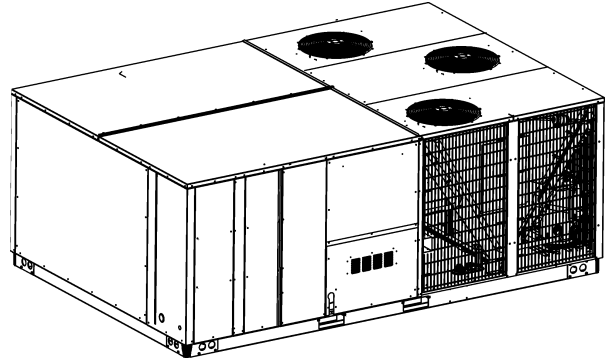


Commercial 15 Ton DD Package Cooling Units

DFC1803D000001SAA

DFC1804D000001SAA

DFC1807D000001SAA



This manual is to be used by qualified technicians only.

Important Information

Index

Functional Parts List	3
Illustration and Parts	4 - 17

Views shown are for parts illustrations only, not servicing procedures.

Text Codes:

AR - As Required

NA - Not Available

NS - Not Shown

00000000 - See Note

QTY - Quantity Example (QTY 3) (If Quantity not shown, Quantity = 1)

M - Model Example (M1) (If M Code not shown, then part is used on all Models)

Expanded Model Nomenclature:

Example
M1 - Model#1
M2 - Model#2
M3 - Model#3

Daikin Comfort Technologies Manufacturing , L.P. is not responsible for personal injury or property damage resulting from improper service. Review all service information before beginning repairs.

Warranty service must be performed by an authorized technician, using authorized factory parts. If service is required after the warranty expires, Daikin Comfort Technologies Manufacturing , L.P. also recommends contacting an authorized technician and using authorized factory parts.

Daikin Comfort Technologies Manufacturing , L.P. reserves the right to discontinue, or change at any time, specifications or designs without notice or without incurring obligations.

For assistance within the U.S.A. contact:
Equipment Support
Daikin Comfort Technologies Manufacturing , L.P.
19001 Kermier Road
Waller, Texas 77484
855-770-5678-Telephone
713-863-2382-Facsimile

For assistance outside the U.S.A. contact:
International Division
Daikin Comfort Technologies Manufacturing , L.P.
19001 Kermier Road
Waller, Texas 77484
713-861-2500-Telephone
713-863-2382-Facsimile

Functional Parts

Part

No: Description:

0202L00573	ASSY EVAP COIL
0251L00138	ASSY EXPANSION VALVE C1
0251L00142	ASSY EXPANSION VALVE C2
0130M00249	AUXILLARY SWITCH (QTY 2)
CAP100000370LA	CAP, 10 MFD/370V/OVAL (M1, M2)
CAP050000440LA	CAPACITOR (M3)
ZP83KCETF5250	COMP, 83000, 200/230/60/3 (M1)
ZP83KCETFD130	COMP, 83000, 460/60/3 (M2)
ZP83KCETFE130	COMP, 83000, 575/60/3 (M3)
0201L00843	COND COIL MICROCHNL 16MM (QTY 2)
CONT3P030024V	CONT 3 POLE 30 AMP 24 VAC (QTY 2)
CONT3P030024V	CONT 3 POLE 30 AMP 24 VAC (QTY 2)
0130L00283	CRANK CASE HEATER, 70W, 240V (M1)
0130L00284	CRANK CASE HEATER, 70W, 480V (M2)
0130L00285	CRANK CASE HEATER, 70W, 575V (M3)
0130M00178	DPDT RELAY 24VAC (QTY 3)
0131L00162	MOTOR CONTROLLER (M1)
0131L00163	MOTOR CONTROLLER (M2)
0131L00164	MOTOR CONTROLLER (M3)
0131M00907	MOTOR, HP, 1/3, OD (M2)
0131M00908	MOTOR, HP, 1/3, OD, LAK (M3)
0131M00906	MOTOR, HP, 1/3, SP, 1, PL, 6 (M1)
0131L00378	PROGRAM MOTOR
10135604	RELAY (QTY 2)
0130M00738	SWITCH HIGH PRESSURE (QTY 2)
0130M00732	SWITCH LOW PRESSURE (QTY 2)
0130L00205	TRANSFORMER (M1)
0130L00206	TRANSFORMER (M2)
0130L00207	TRANSFORMER (M3)

SPECIAL PARTS

RP-EH[S,X]*L* ACCESSORY RP MANUAL

RP-FIOPL* ACCESSORY RP MANUAL

Expanded Model Nomenclature

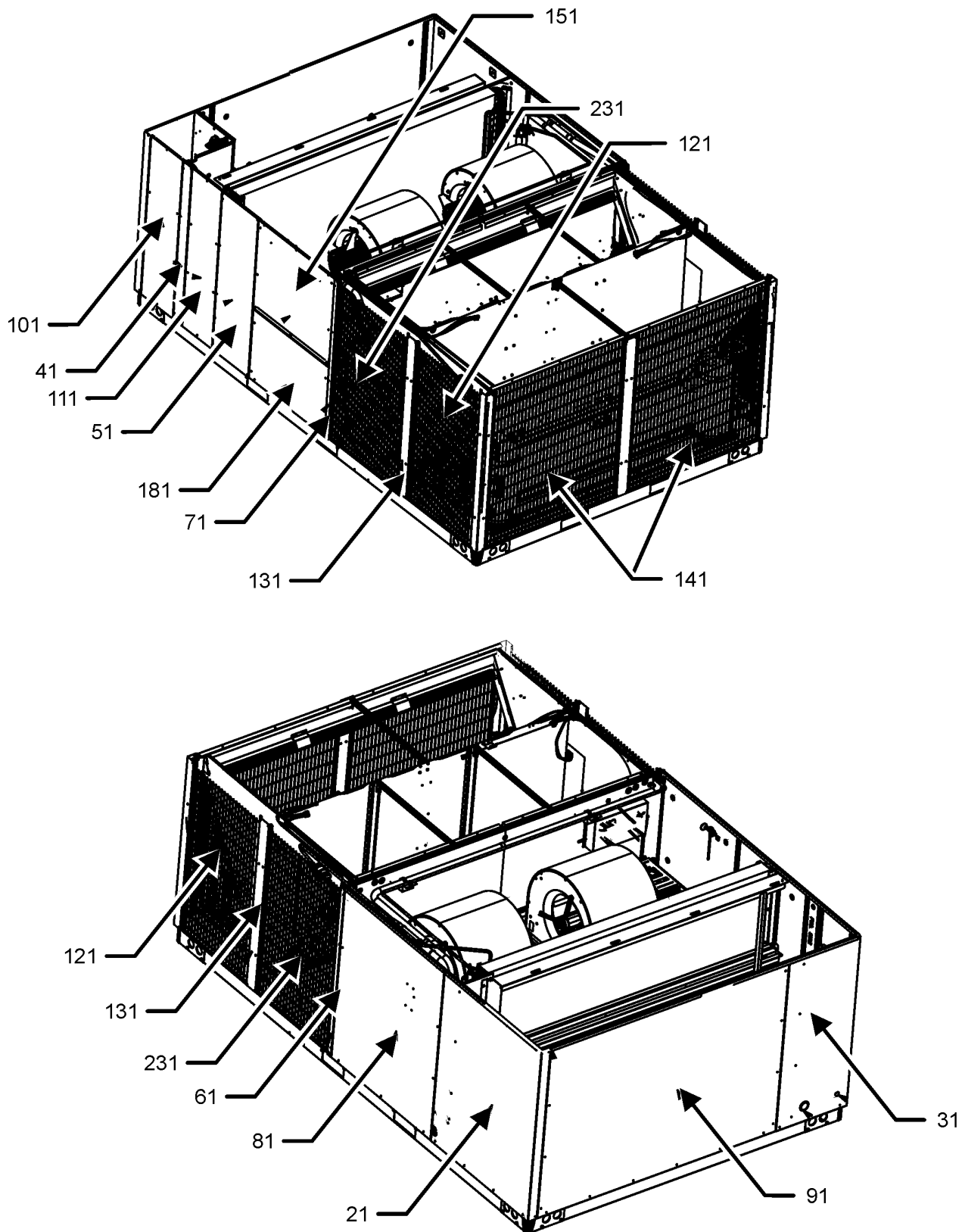
M1 - DFC1803D000001SAA

M2 - DFC1804D000001SAA

M3 - DFC1807D000001SAA

Cabinet Assembly

CABINET ASSEMBLY



CABINET ASSEMBLY MAY DIFFER FROM WHAT IS SHOWN

Cabinet Assembly

Ref. Part No:	No:	Description:	Ref. Part No:	No:	Description:
---------------	-----	--------------	---------------	-----	--------------

Image 1:

21	0121L00681SB	PAINTED EVAP PANEL
31	0121L04499SB	PAINTED PANEL CONTROL CORNER
41	0121L04498SB	PAINTED POST CONTROL/FILTER
51	0121L00710SB	PNT POST/BLOWER DOOR
61	0121L04679SB	PAINTED POST PARTITION EVAP
71	0121L04681SB	PAINTED POST PARTITION GAS
81	0121L00685SB	PNT DOOR BLWR EVAP SIDE
91	0121L00688SB	PNT ACCESSORY PANEL
101	0121L00687SB	PNT CONTROL DOOR
111	0121L00686SB	PNT DOOR FILTER
121	0152L00022	GRILL CONDENSER (QTY 2)
131	0121L01144SB	POST COND PANEL PNT (QTY 2)
141	0152L00019	GRILL CONDENSER (QTY 2)
151	0121L00713SB	PNT DOOR BLOWER GAS SIDE
181	0121L00708SB	PNT DOOR ELECTRIC HEAT
231	0152L00023	GRILL CONDENSER (QTY 2)
NS	B1392156	PLASTIC CAP 2 1/8
NS	0163M00097	SCREW WASHED (QTY 104)

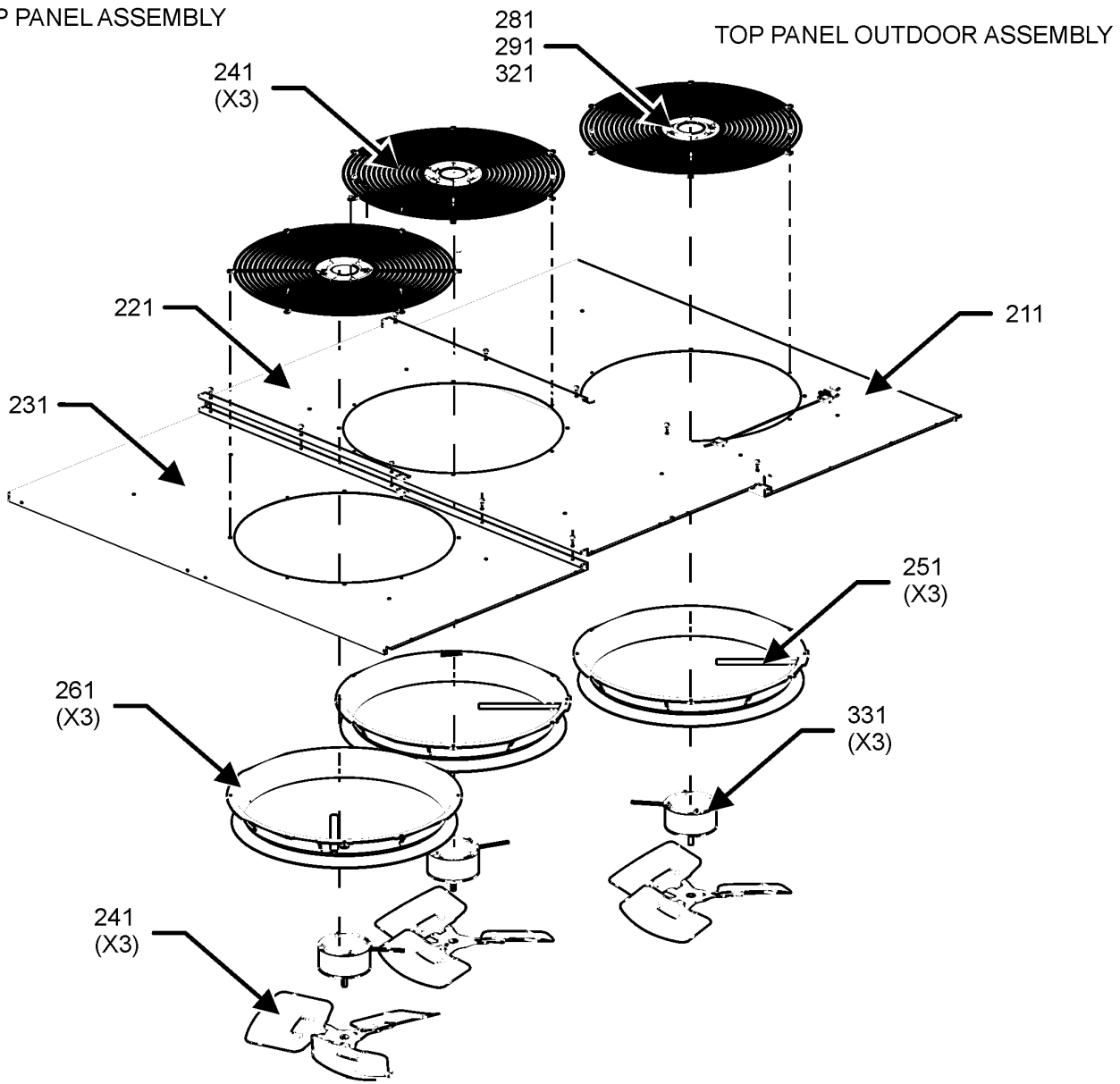
Expanded Model Nomenclature

M1 - DFC1803D000001SAA
M2 - DFC1804D000001SAA
M3 - DFC1807D000001SAA

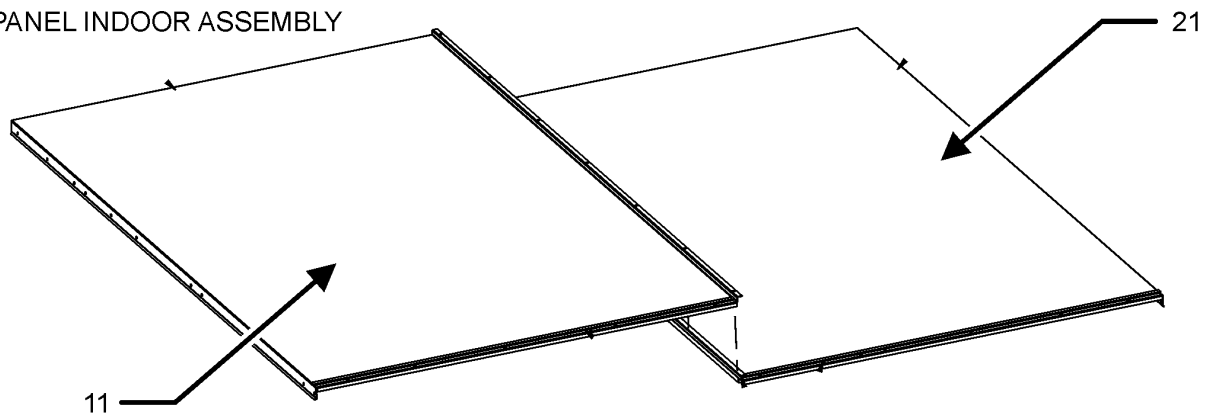
Top Panel Indoor/Outdoor Assembly

TOP PANEL ASSEMBLY

TOP PANEL OUTDOOR ASSEMBLY



TOP PANEL INDOOR ASSEMBLY



TOP PANEL ASSEMBLIES MAY DIFFER FROM WHAT IS SHOWN

Top Panel Indoor/Outdoor Assembly

Ref. Part**No: No:****Description:****Ref. Part****No: No:****Description:****Image 1:**

11	0121L00693SB	TOP CONTROL SIDE PNT
21	0121L00694SB	TOP PANEL ASSY PNT
211	0121L04955SB	PAINTED TOP FAN CNTL SIDE
221	0121L04956SB	PAINTED TOP FAN CENTER
231	0121L04957SB	PAINTED TOP FAN EVAP SIDE
241	0152G00003	GRILLE FAN (QTY 3)
251	0161R00003P	CONDUIT (QTY 3)
261	0161R00048	MOLDED RING VENTURI 22 (QTY 3)
271	10625733	BLADE-FAN 22" ALUM CCW (QTY 3)
281	0163M00006P	NUT ACORN 5/16 HEX BLACK (QTY 12)
291	0163M00005P	WASHER BLACK .50 OD .218ID (QTY 12)
321	M0272803	WASHER LOCK (QTY 12)
331	0131M00907	MOTOR, HP, 1/3, OD (M2)
331	0131M00908	MOTOR, HP, 1/3, OD, LAK (M3)
331	0131M00906	MOTOR, HP, 1/3, SP, 1, PL, 6 (M1)
NS	0259L02125	WIRE HARNESS ASSY

Expanded Model Nomenclature

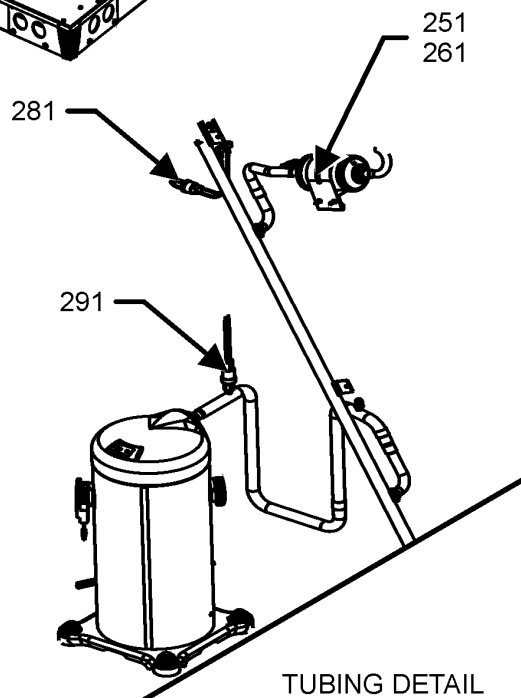
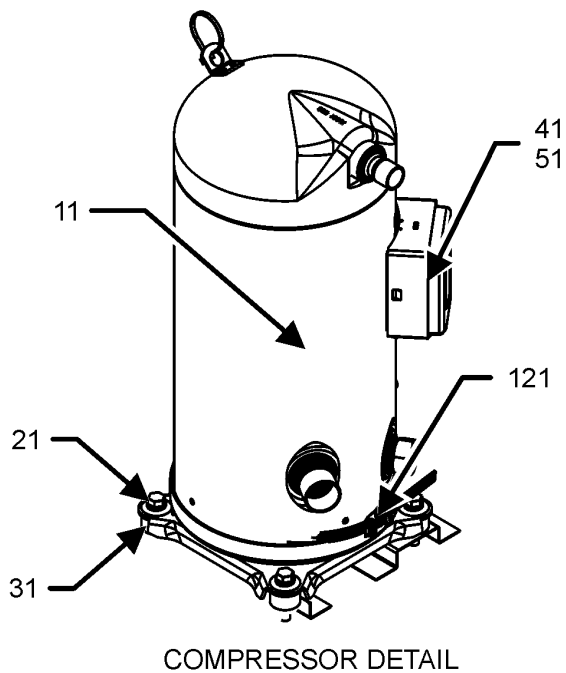
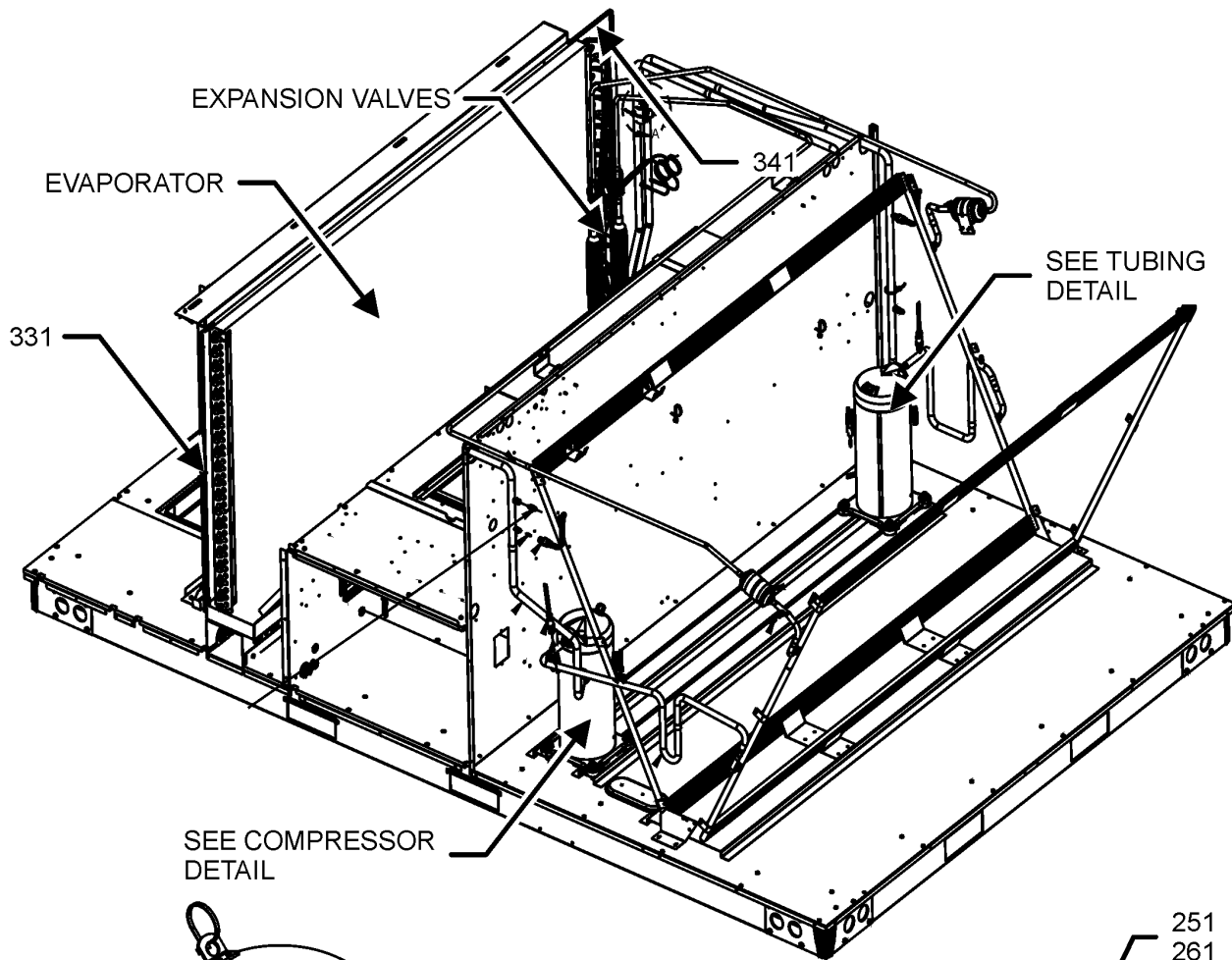
M1 - DFC1803D000001SAA

M2 - DFC1804D000001SAA

M3 - DFC1807D000001SAA

Tubing Compressor Assembly

TUBING AND COMPRESSOR ASSEMBLY



TUBING AND COMPRESSOR ASSEMBLY MAY DIFFER FROM WHAT IS SHOWN

Tubing Compressor Assembly

Ref. Part No:	Part No:	Description:	Ref. Part No:	Part No:	Description:
---------------	----------	--------------	---------------	----------	--------------

Image 1:

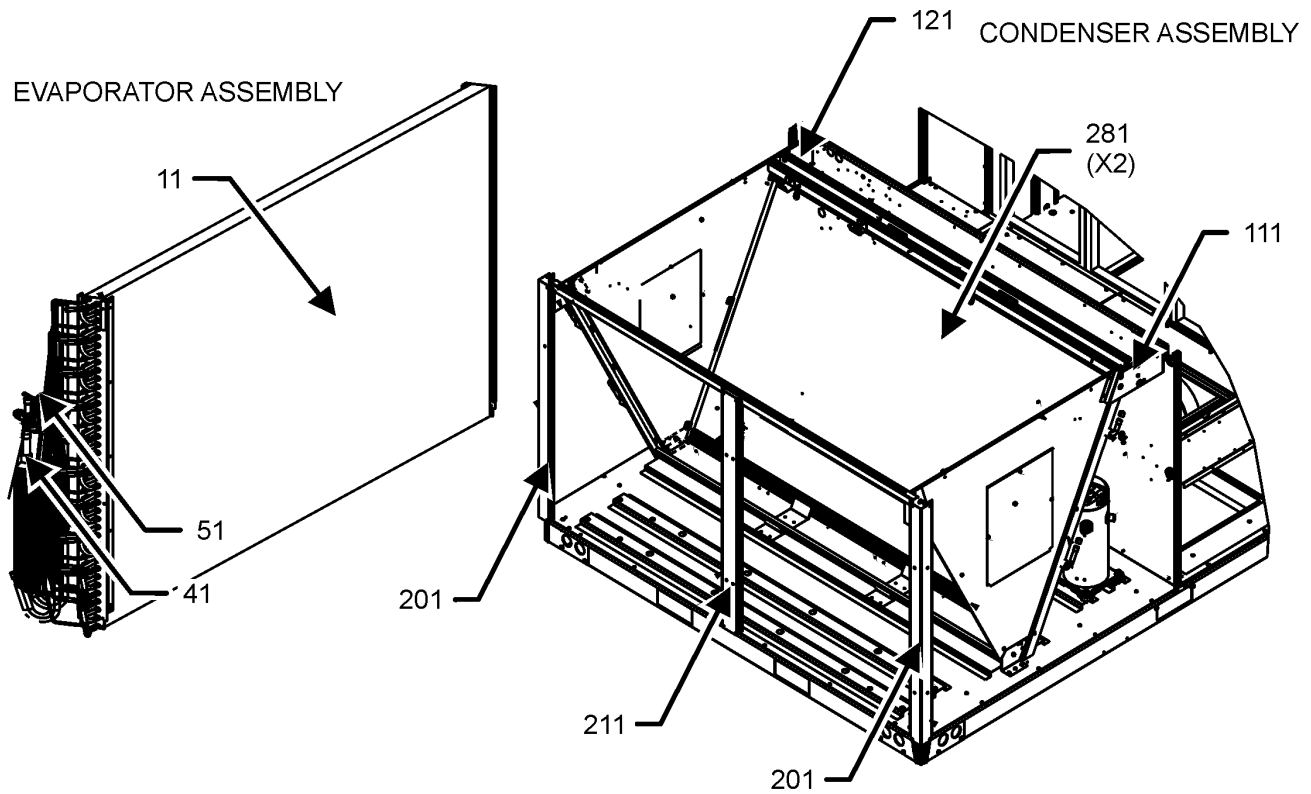
11	ZP83KCETF5250	COMP, 83000, 200/230/60/3 (M1)
11	ZP83KCETFD130	COMP, 83000, 460/60/3 (M2)
11	ZP83KCETFE130	COMP, 83000, 575/60/3 (M3)
21	0164M00018	GROMMET COMPRESSOR (QTY 8)
31	B1393740	COMP BOLT SLEEVE (QTY 8)
41	0159L00070	HARNESS COMP SCROLL (M2, M3)
41	0159L00020	HARNESS-COMPRESSOR (M1)
51	0159L00071	HARNESS COMP SCROLL (M2, M3)
51	0159L00021	HARNESS-COMPRESSOR (M1)
121	0130L00283	CRANK CASE HEATER, 70W, 240V (M1)
121	0130L00284	CRANK CASE HEATER, 70W, 480V (M2)
121	0130L00285	CRANK CASE HEATER, 70W, 575V (M3)
251	0162M00469	FILTER DRIER
261	0162M00469	FILTER DRIER
281	0130M00732	SWITCH LOW PRESSURE (QTY 2)
291	0130M00738	SWITCH HIGH PRESSURE (QTY 2)
331	0121L04512	BLOCK OFF EVAPORATOR
341	0121L04866	BLOCK OFF EVAPORATOR (QTY 2)
NS	B1373315	ACCESS FITTING (QTY 4)
NS	0141L00029	BOARD FORK (QTY 2)
NS	0121L00724	BRACKET FORK BOARD (QTY 4)
NS	0151M00104	VALVE CORE (QTY 6)

Expanded Model Nomenclature

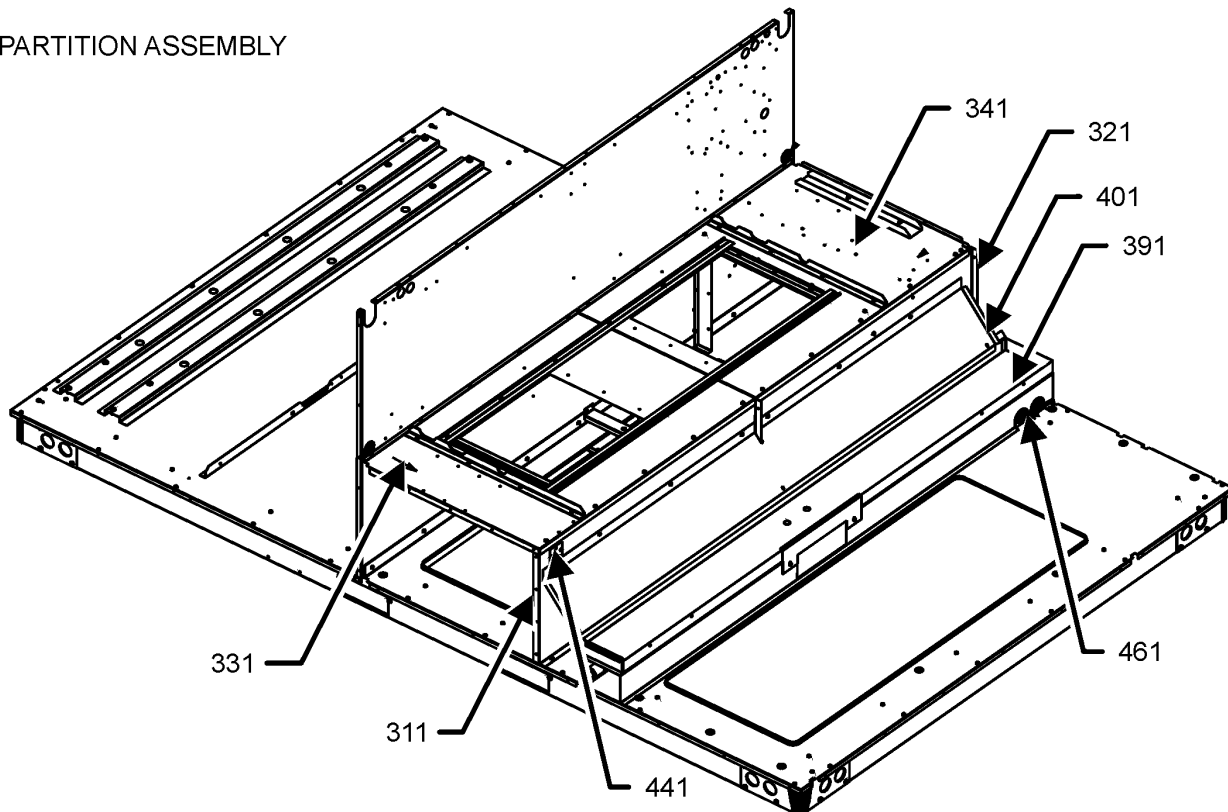
M1 - DFC1803D000001SAA
M2 - DFC1804D000001SAA
M3 - DFC1807D000001SAA

Partition,Evaporator,Condenser Assembly

PARTITION, EVAPORATOR, CONDENSER ASSEMBLY



PARTITION ASSEMBLY



PARTITION, EVAPORATOR, CONDENSER ASSEMBLY MAY DIFFER FROM WHAT IS SHOWN

Partition,Evaporator,Condenser Assembly

Ref. Part No:	Part No:	Description:	Ref. Part No:	Part No:	Description:
---------------	----------	--------------	---------------	----------	--------------

Image 1:

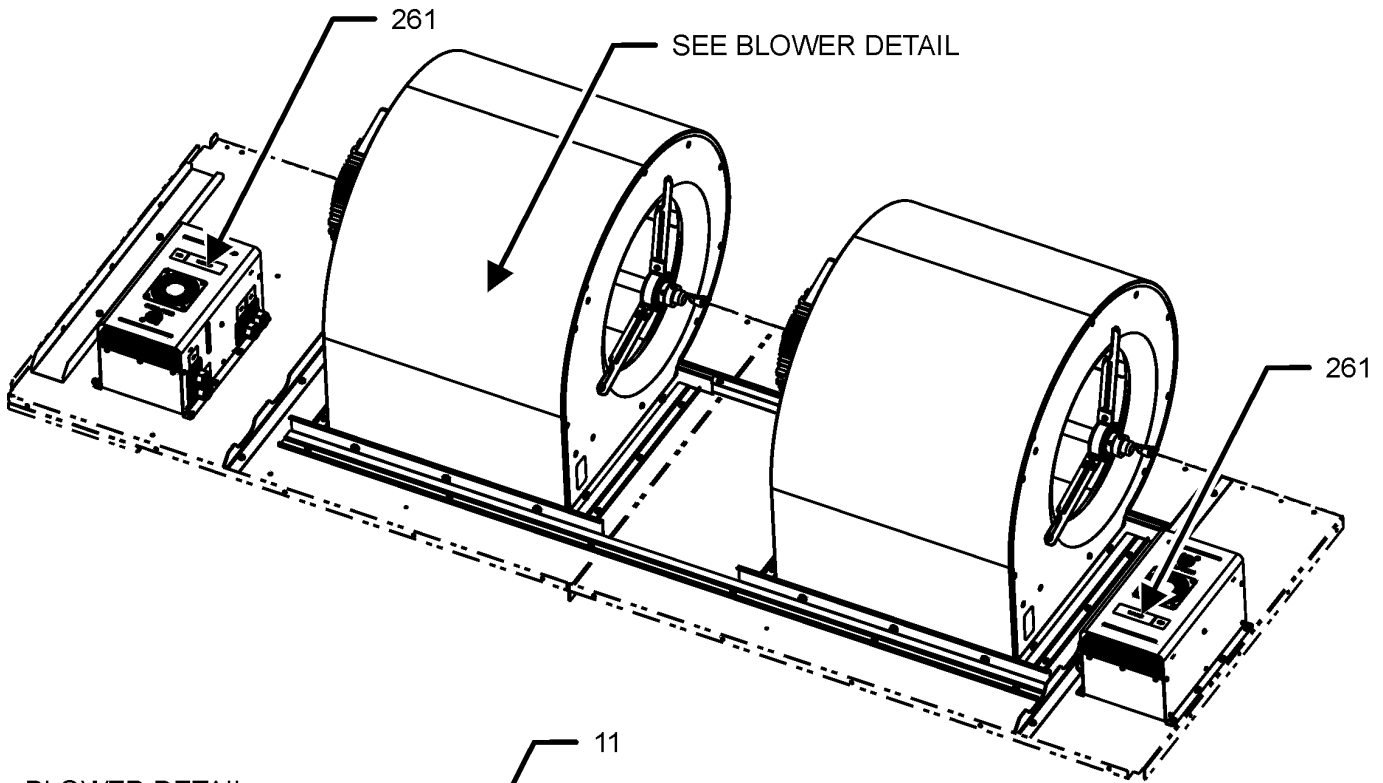
11	0202L00573	ASSY EVAP COIL			
41	0251L00138	ASSY EXPANSION VALVE C1			
51	0251L00142	ASSY EXPANSION VALVE C2			
111	0121L04440	BLOCKOFF COND TOP INSIDE			
121	0121L04441	BRACKET CONDENSER END			
201	0121L04608SB	PAINTED CORNER POST (QTY 2)			
211	0121L01144SB	POST COND PANEL PNT (QTY 2)			
281	0201L00843	COND COIL MICROCHNL 16MM (QTY 2)			
311	0121L04782	DECK SIDE DUCT END			
321	0121L04944	DECK SIDE HEAT END			
331	0121L04859	DECK CLOWER EVAP SIE			
341	0121L05044	DECK CONTROL BOX END			
391	0270L02431DG	PAINTED DRAIN PAN WELDMENT			
401	0121L04929	SHIELD BLOWOFF			
441	0121L00321	COVER SMOKE DETECTOR			
461	0164G00004	GROMMET HORSESHOE 1.75 (QTY 2)			
NS	0160L00136	AIR FILTER (QTY 8)			
NS	0121L00593	COVER FLUW HOLE			
NS	0163L00045	FITTING DRAIN EXT			
NS	0121L00591	MOUNTING PLATE ELECT HEAT			
NS	0121L00592	SUPPORT ELECTRIC HEAT			

Expanded Model Nomenclature

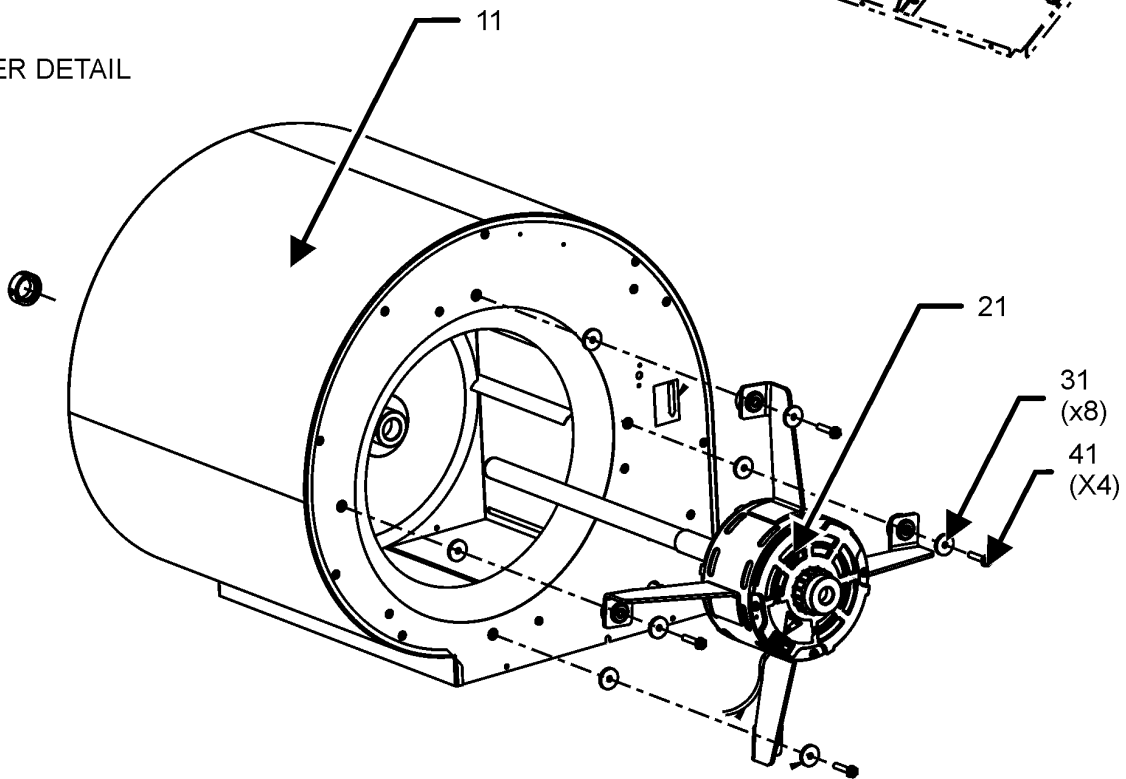
M1 - DFC1803D000001SAA
M2 - DFC1804D000001SAA
M3 - DFC1807D000001SAA

Blower Assembly

BLOWER ASSEMBLY



BLOWER DETAIL



BLOWER ASSEMBLY MAY DIFFER FROM WHAT IS SHOWN

Blower Assembly

Ref. Part No:	No:	Description:	Ref. Part No:	No:	Description:
---------------	-----	--------------	---------------	-----	--------------

Image 1:

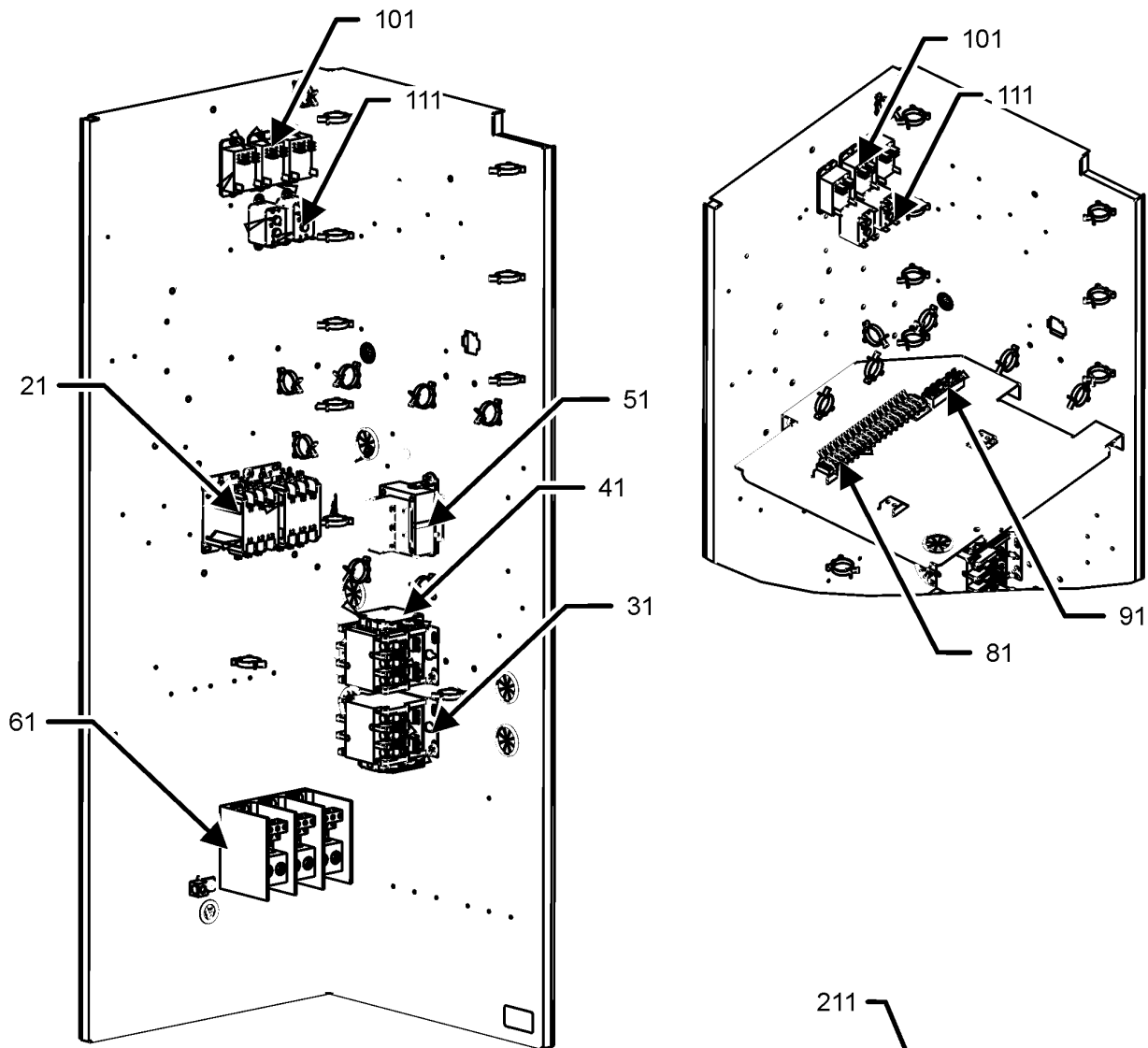
11	0271L00341	ASSY BLOWER (QTY 2)
21	0131L00378	PROGRAM MOTOR
31	B1392918	WASHER FLAT 1/4 IDX1OD (QTY 16)
41	M0250565	SCREW TC 1.25 (QTY 8)
261	0131L00162	MOTOR CONTROLLER (M1)
261	0131L00163	MOTOR CONTROLLER (M2)
261	0131L00164	MOTOR CONTROLLER (M3)

Expanded Model Nomenclature

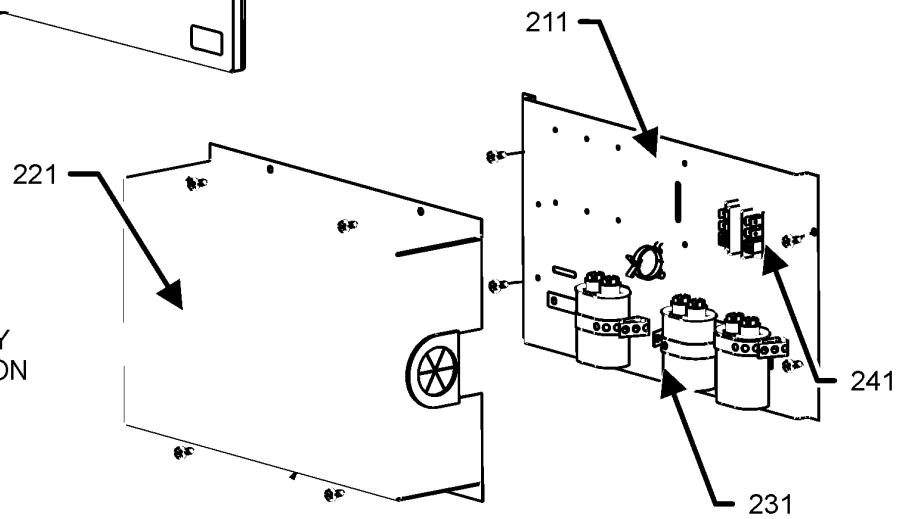
M1 - DFC1803D000001SAA
M2 - DFC1804D000001SAA
M3 - DFC1807D000001SAA

Control Box Assembly

CONTROL BOX ASSEMBLY



CAPACITOR ASSEMBLY
LOCATED ON PARTITION
PANEL BLOWER SIDE



CONTROL BOX ASSEMBLY MAY DIFFER FROM WHAT IS SHOWN

Control Box Assembly

Ref. Part No:	Ref. Part No:	Description:	Description:
---------------	---------------	--------------	--------------

Image 1:

21	CONT3P030024V	CONT 3 POLE 30 AMP 24 VAC (QTY 2)
31	CONT3P030024V	CONT 3 POLE 30 AMP 24 VAC (QTY 2)
41	0130M00249	AUXILLARY SWITCH (QTY 2)
51	0130L00205	TRANSFORMER (M1)
51	0130L00206	TRANSFORMER (M2)
51	0130L00207	TRANSFORMER (M3)
61	0130L00217	POWER BLOCK
81	0130M00038	TERMINAL BOARD
91	802007090	TERM BOARD
101	0130M00178	DPDT RELAY 24VAC (QTY 3)
111	10135604	RELAY (QTY 2)
211	0121L04684	PLATE CAPACITOR
221	0121L04621	COVER CAPACITOR
231	CAP100000370LA	CAP, 10 MFD/370V/OVAL (M1, M2)
231	CAP050000440LA	CAPACITOR (M3)
241	B1368250	TERMINAL BLOCK A-10KW
NS	0164G00005	GROMMET HORSESHOE 1.675
NS	0259L00118	HARNESS COND FAN LONG
NS	0259L00116	HARNESS COND FAN SHORT
NS	20520901	STRAP-CAPACITOR (QTY 3)
NS	B1392104	UNIVERSAL BUSHING UN 875

Expanded Model Nomenclature

M1 - DFC1803D000001SAA
M2 - DFC1804D000001SAA
M3 - DFC1807D000001SAA

ACCESSORY PARTS LIST

NOTE: NOT ALL OPTIONS AVAILABLE FOR ALL PRODUCTS

FOR ACCESSORY PARTS SEE THE FOLLOWING PART MANUAL

RP-FIOPL*
RP-EH[X,S]*L*

ACCESSORY PARTS

Ref. Part

No: No:

Description:

Ref. Part

No: No:

Description:

Image 1:

NS RP-EH[S,X]*L* ACCESSORY RP MANUAL

NS RP-FIOPL* ACCESSORY RP MANUAL

Expanded Model Nomenclature

M1 - DFC1803D000001SAA

M2 - DFC1804D000001SAA

M3 - DFC1807D000001SAA