

DFC 5 Ton Direct Drive Commercial Package Cooling Unit

DFC0601D000001SAA
DFC0603D000001SAA
DFC0604D000001SAA
DFC0607D000001SAA



This manual is to be used by qualified technicians only.

Important Information

Index

Functional Parts List	3
Illustration and Parts	4 - 15

Views shown are for parts illustrations only, not servicing procedures.

Text Codes:

AR - As Required

NA - Not Available

NS - Not Shown

00000000 - See Note

QTY - Quantity Example (QTY 3) (If Quantity not shown, Quantity = 1)

M - Model Example (M1) (If M Code not shown, then part is used on all Models)

Expanded Model Nomenclature:

Example
M1 - Model#1
M2 - Model#2
M3 - Model#3

Daikin Company, L.P. is not responsible for personal injury or property damage resulting from improper service. Review all service information before beginning repairs.

Warranty service must be performed by an authorized technician, using authorized factory parts. If service is required after the warranty expires, Daikin Company, L.P. also recommends contacting an authorized technician and using authorized factory parts.

Daikin Company, L.P. reserves the right to discontinue, or change at any time, specifications or designs without notice or without incurring obligations.

For assistance within the U.S.A. contact:

Equipment Support
Daikin North America, LLC
19001 Kermier Road
Waller, Texas 77484
855-770-5678-Telephone
713-863-2382-Facsimile

For assistance outside the U.S.A. contact:

International Division
Daikin North America, LLC
19001 Kermier Road
Waller, Texas 77484
713-861-2500-Telephone
713-863-2382-Facsimile

Functional Parts

Part

No: Description:

0150L00003	BLADE-FAN 22 ALUM. CCW 30 DEG
CAP100000440LA	CAP 10 MFD/440V/OVAL (M3)
CAP100000370LA	CAP, 10 MFD/370V/OVAL (M2)
CAP100700440CT	CAP, 10/70 MFD/ 440V/ DUAL RD (M1)
CAP050000440LA	CAPACITOR (M4)
ZP51K5ETFE130	COMP, 5100, 575/60/3 (M4)
ZP51K5EPFV130	COMP,51000,208/230/60/1 (M1)
ZP51K5ETF5130	COMP,51000,208/230/60/3 (M2)
ZP51K5ETFD130	COMP,51000,460/60/3 (M3)
CONT2P025024V	CONT, 2 POLE, 25 AMP, 24 VAC (M1, M2)
CONT2P040024V	CONT, 2 POLE, 40 AMP, 24 VAC (M1)
CONT3P025024V	CONT, 3 POLE, 25 AMP, 24 VAC (M3, M4)
CONT3P025024V	CONT, 3 POLE, 25 AMP, 24 VAC (M4)
CONT3P030024V	CONT, 3 POLE, 30 AMP, 24 VAC (M2, M3)
0130M00178	DPDT RELAY 24VAC
0131M00430	MOTOR, 1/3 HP, 1 SP, 6 PL (M1, M2)
0131M00774	MOTOR, 1/3 HP, OD (M3)
0131M00858	MOTOR, 1/3 HP, OD (M4)
0131L00290	MOTOR-PROGRAM (M3, M4)
0131L00289	MOTOR-PROGRAM (M1, M2)
0130M00730	SWITCH, HIGH PRESSURE
0130M00732	SWITCH, LOW PRESSURE
0130M00038	TERMINAL BOARD
B1370772	TIME DELAY (ICM) 180 SEC DEL
0130M00598	TRANSFMR, 75VA, 575V TO 24V (M4)
0130M00696	TRANSFORMER 208-240V TO 24V,75 (M1, M2)
0130M00595	TRANSFORMER, 75VA, 480V TO 24V (M3)

SPECIAL PARTS

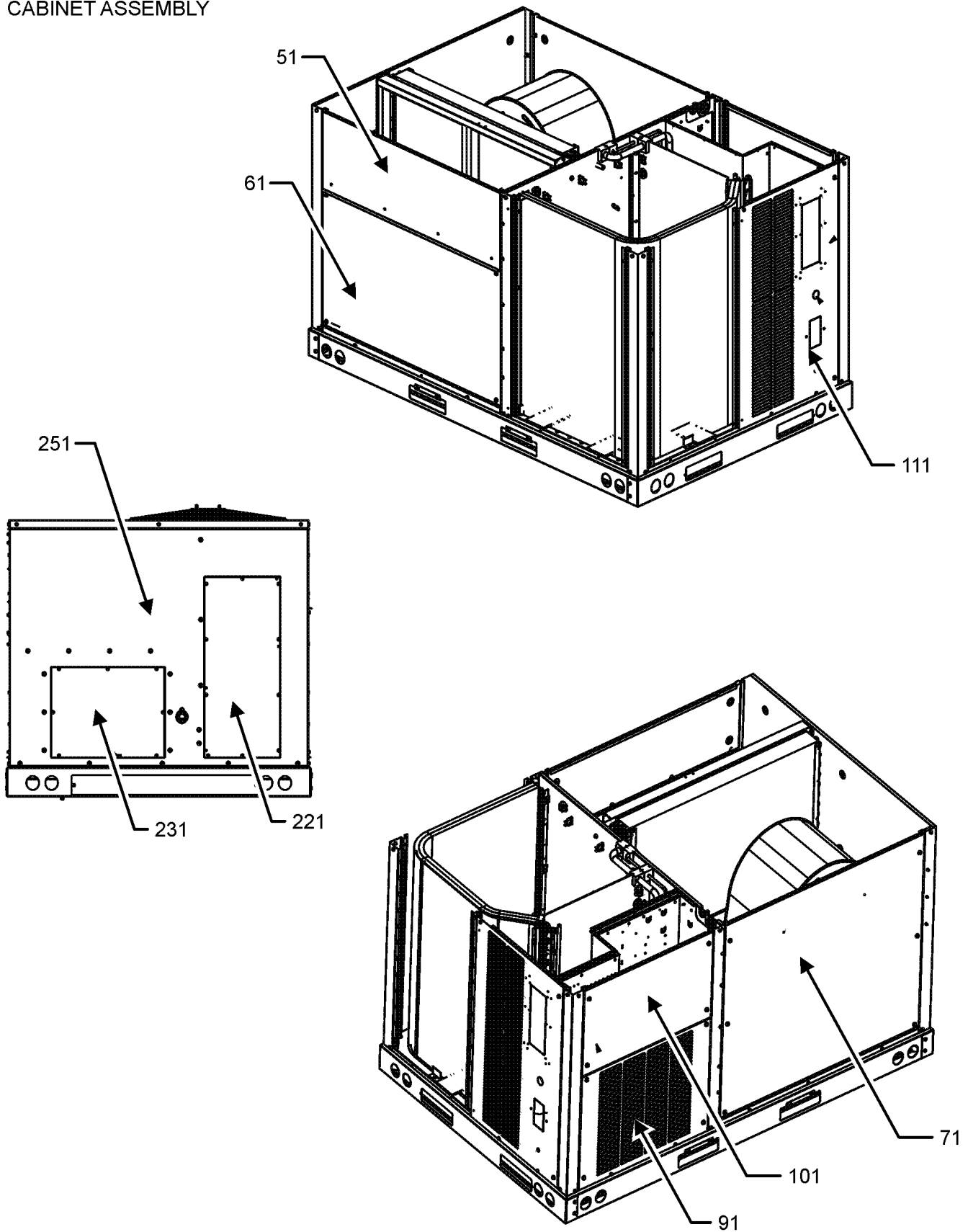
RP-FIOPS*	ACCESSORY RP MANUAL
RP-EHX[B,D]**	HEATER KIT RP MANUAL

Expanded Model Nomenclature

M1 - DFC0601D000001SAA
M2 - DFC0603D000001SAA
M3 - DFC0604D000001SAA
M4 - DFC0607D000001SAA

CABINET ASSEMBLY

CABINET ASSEMBLY



CABINET ASSEMBLY

Ref. Part No:	No:	Description:	Ref. Part No:	No:	Description:
---------------	-----	--------------	---------------	-----	--------------

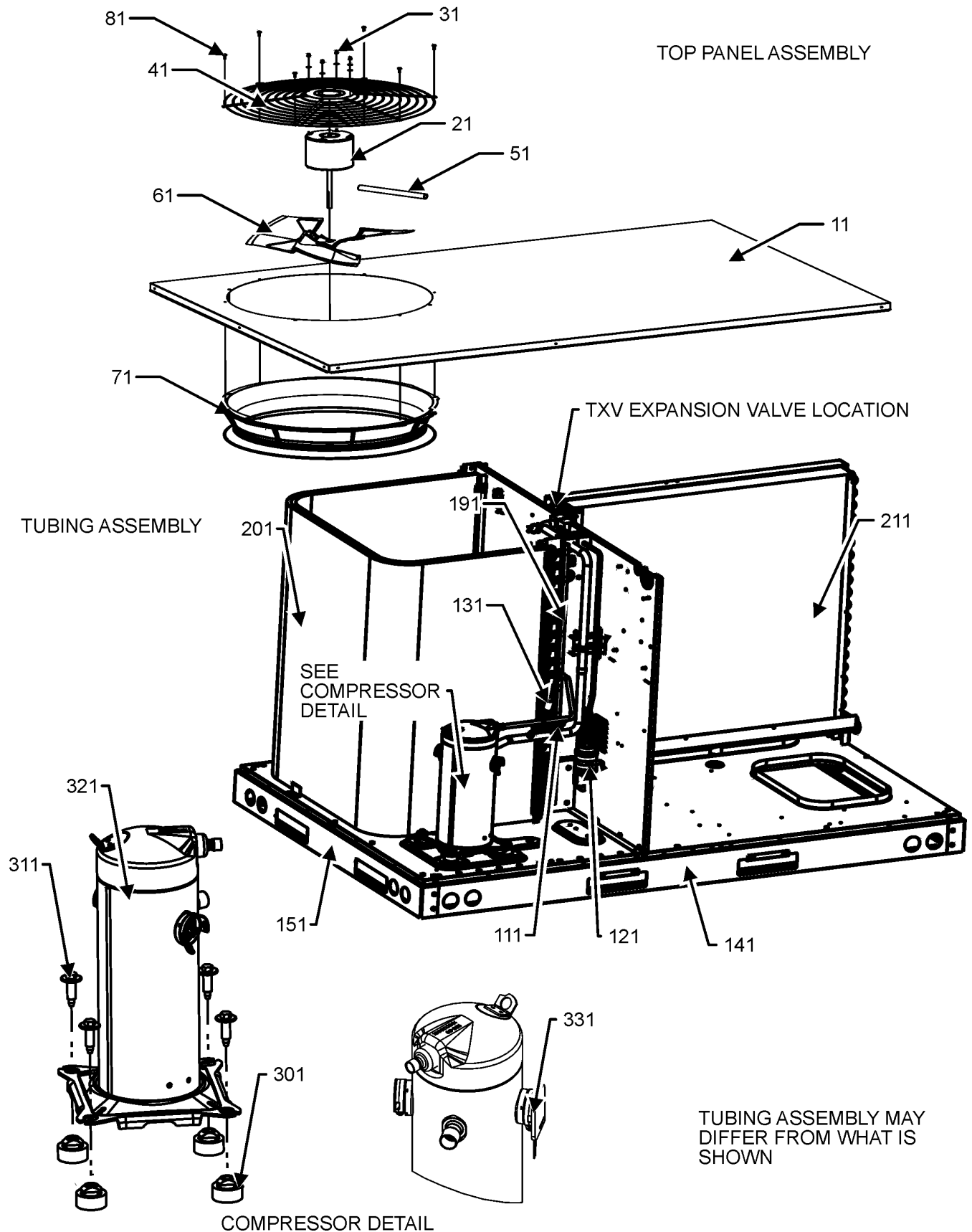
Image 1:

51	0121L01734SB	PAINTED FILTER PANEL
61	0121L01651SB	PAINTED ECONOMIZER PANEL
71	0121L02261SB	PAINTED BLOWER PANEL
91	0121L02263SB	PAINTED COMPRESSOR PANEL
101	0121L02262SB	PAINTED CONTROL BOX PANEL
111	0121L03642SB	PAINTED, COMPRESSOR BACK PANEL
221	0121L02910SB	PAINTED COVER-DUCT RETURN
231	0121L02911SB	PAINTED COVER-DUCT SUPPLY
251	0121L02996SB	PAINTED BACK PANEL

Expanded Model Nomenclature

- | |
|------------------------|
| M1 - DFC0601D000001SAA |
| M2 - DFC0603D000001SAA |
| M3 - DFC0604D000001SAA |
| M4 - DFC0607D000001SAA |

TOP PANEL AND TUBING ASSEMBLY



TOP PANEL AND TUBING ASSEMBLY

Ref. Part No:	Ref. Part No:	Description:	Description:
---------------	---------------	--------------	--------------

Image 1:

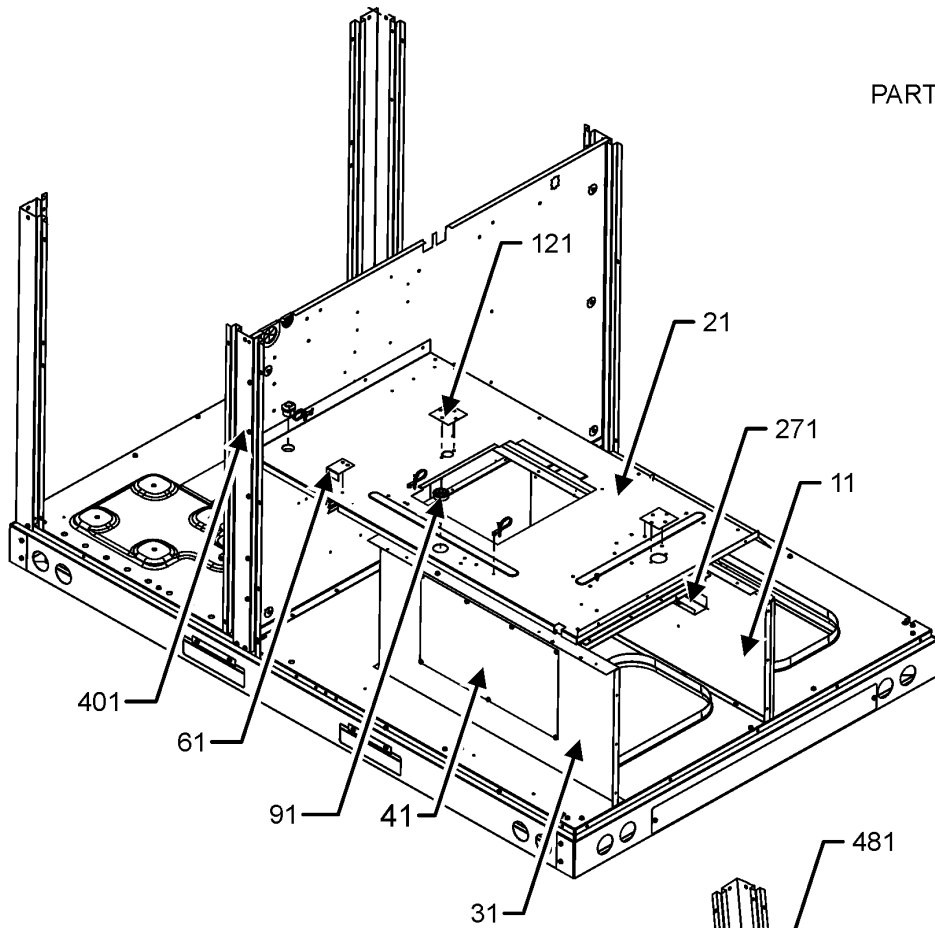
11	0121L01626SB	PAINTED, TOP PANEL
21	0131M00430	MOTOR, 1/3 HP, 1 SP, 6 PL (M1, M2)
21	0131M00774	MOTOR, 1/3 HP, OD (M3)
21	0131M00858	MOTOR, 1/3 HP, OD (M4)
31	0163M00006P	ACORN NUT 5/16 HEX BLACK (QTY 4)
41	0152G00000	FAN GRILLE, RAISED
51	0161R00003P	CONDUIT
61	0150L00003	BLADE-FAN 22 ALUM. CCW 30 DEG
71	0161L00000	RING VENTURI 22
81	0163M00004	SCREW #10X3/4", BLACK (QTY 8)
111	0130M00732	SWITCH, LOW PRESSURE
121	0162R00056	FILTER/DRIER-BI-FLOW
131	0130M00730	SWITCH, HIGH PRESSURE
141	0121L01620	SMALL SIDE RAIL (QTY 2)
151	0121L01621	SMALL END RAIL (QTY 2)
191	0121L04599	BLOCKOFF, OD COIL
201	0201L00781	ASSY COIL BEND
211	0202L00447	ASSY ID COIL TUBING
301	B1339533	COMPRESSOR GROMMET (QTY 4)
311	B1393740	COMP. BOLT & SLEEVE (QTY 4)
321	ZP51K5ETFE130	COMP, 5100, 575/60/3 (M4)
321	ZP51K5EPFV130	COMP,51000,208/230/60/1 (M1)
321	ZP51K5ETF5130	COMP,51000,208/230/60/3 (M2)
321	ZP51K5ETFD130	COMP,51000,460/60/3 (M3)
331	0159L00065	Harness, comp scroll (M2, M3, M4)
331	0159L00027	HARNES-COMP SCROLL (M1)
NS	0251L00123	ASSY., EXPANSION VALVE
NS	0141L00003X	BOARD-FORK (QTY 2)
NS	0121L03516	PNL, BRACKET, FORK BOARD (QTY 4)
NS	0163M00005P	WASHER, BLACK (.50 OD .218ID) (QTY 4)

Expanded Model Nomenclature

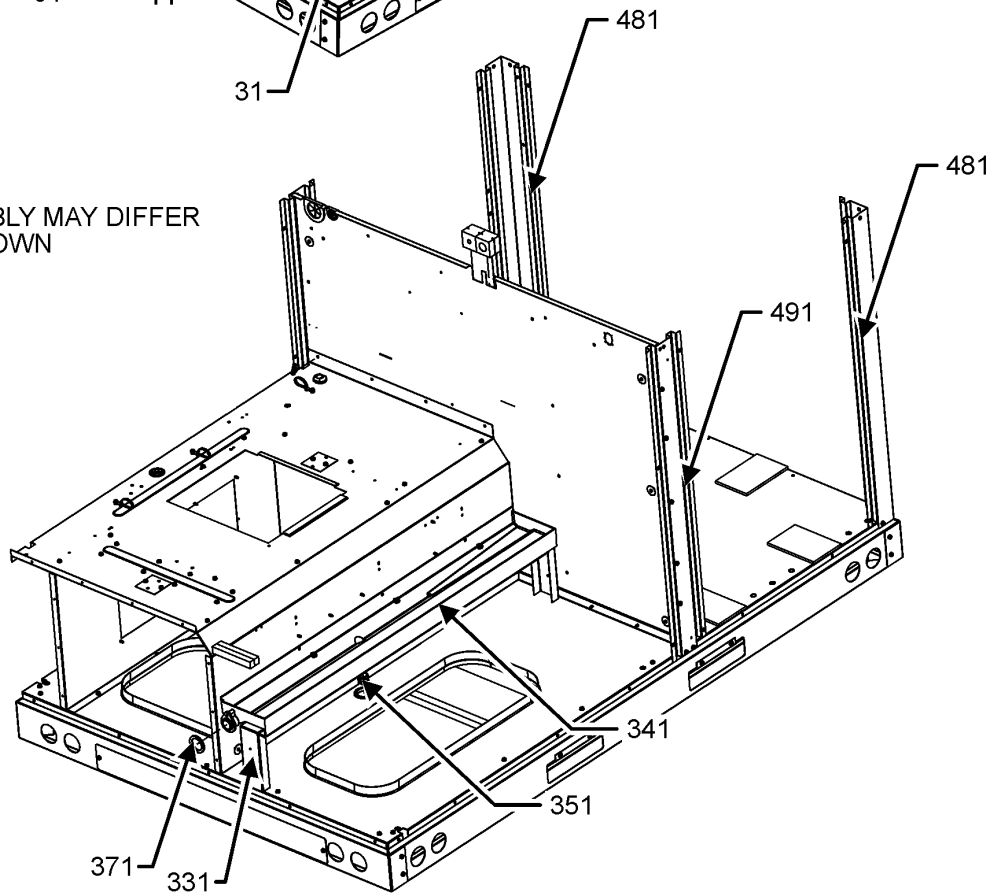
M1 - DFC0601D000001SAA
M2 - DFC0603D000001SAA
M3 - DFC0604D000001SAA
M4 - DFC0607D000001SAA

PARTITION ASSEMBLY

PARTITION ASSEMBLY



PARTITION ASSEMBLY MAY DIFFER FROM WHAT IS SHOWN



PARTITION ASSEMBLY

Ref. Part No:	No:	Description:	Ref. Part No:	No:	Description:
---------------	-----	--------------	---------------	-----	--------------

Image 1:

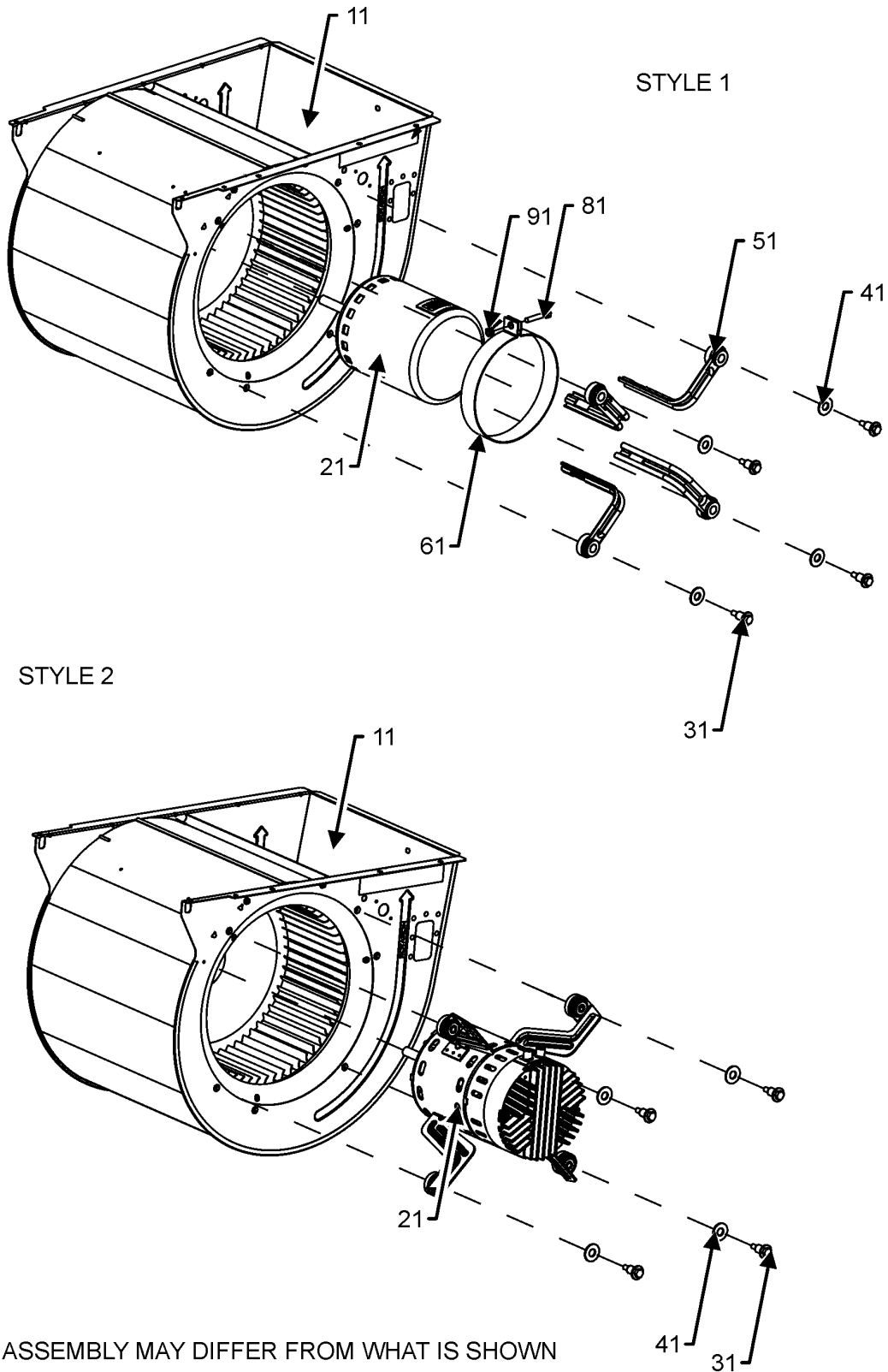
11	0121L02584	BLOWER DECK SIDE
21	0121L03426	PANEL, BLOWER DECK
31	0121L04424	HEAT KIT BOX
41	0121L00144	COVER-ELECTRIC HEAT
61	0121L01709	BLOWER DECK PLATE
91	B1392147	UNIVERSIAL BUSHING WITH SLICE
121	0121L00321	COVER-SMOKE DETECTOR (QTY 2)
271	0121L02633	BLOWER DECK U-BRACKET
331	0121L02985	DRAINPAN SUPPORT
341	0161L00007	DRAIN PAN, EVAPORATOR 3-5 TON
351	0163L00071	PLUG, DRAIN
371	0154L00180	GASKET, DRAIN PAN
401	0121L03442SB	PAINTED, SIDE POST
481	0121L01728SB	PAINTED CORNER POST (QTY 2)
491	0121L04180SB	PAINTED, SIDE POST
NS	0160L00137	Air Filter 20x25x2 (QTY 2)
NS	0164M00111	GROMMET-D
NS	0164G00005	GROMMET-HORSESHOW 1.675
NS	0121L01954	OD COIL BLOCKOFF ANGLE
NS	0121L03515	RETAINER - ELECTRIC HEAT

Expanded Model Nomenclature

M1 - DFC0601D000001SAA
M2 - DFC0603D000001SAA
M3 - DFC0604D000001SAA
M4 - DFC0607D000001SAA

BLOWER ASSEMBLY

BLOWER ASSEMBLY



BLOWER ASSEMBLY

Ref. Part No:	No:	Description:	Ref. Part No:	No:	Description:
---------------	-----	--------------	---------------	-----	--------------

Image 1:

11	0271L00137	ASSY., BLOWER HOUSING (M3, M4)
11	0271L00133	ASSY., HOUSING, BLWR (M1, M2)
21	0131L00289	MOTOR-PROGRAM (M1, M2)
21	0131L00290	MOTOR-PROGRAM (M3, M4)
31	M0250565	SCREW-TC 1.25" (QTY 4)
41	B1392918	WASHER, FLAT 1/4 ID X 1 OD (QTY 4)
51	0163A00008	MOTOR MOUNTING ARM (M1, M2)
61	10441601	BAND-MTR MOUNT (M1, M2)
81	M0267144	SCREW-MACH (M1, M2)
91	M0282015	NUT-KEPS (M1, M2)

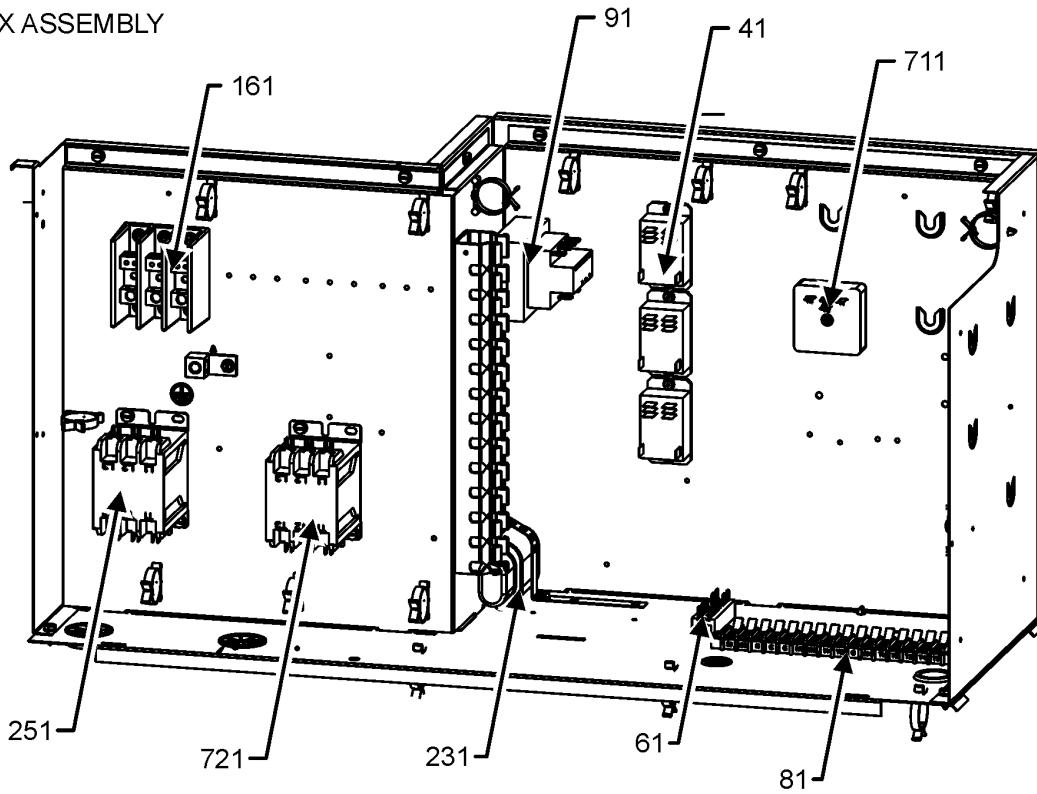
Expanded Model Nomenclature

M1 - DFC0601D000001SAA
M2 - DFC0603D000001SAA
M3 - DFC0604D000001SAA
M4 - DFC0607D000001SAA

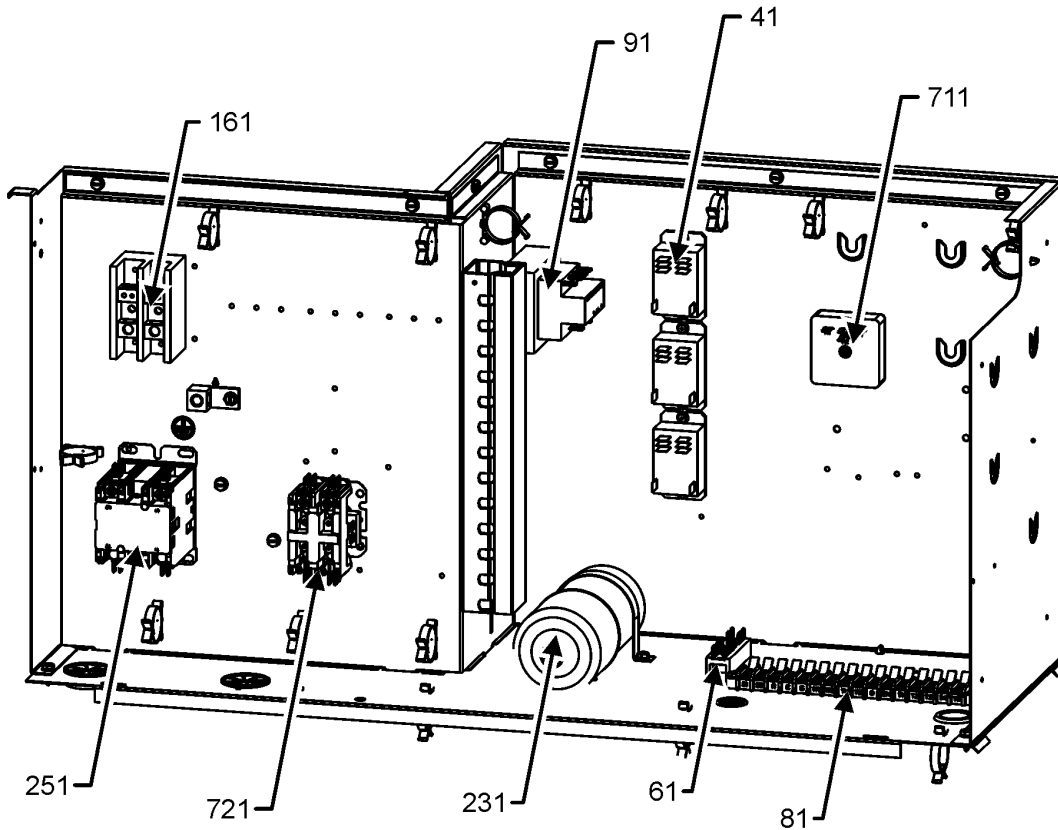
CONTROL BOX ASSEMBLY

CONTROL BOX ASSEMBLY

3 PHASE



1 PHASE



CONTROL BOX ASSEMBLY MAY DIFFER FROM WHAT IS SHOWN

CONTROL BOX ASSEMBLY

Ref. Part No:	Part No:	Description:	Ref. Part No:	Part No:	Description:
---------------	----------	--------------	---------------	----------	--------------

Image 1:

41	0130M00178	DPDT RELAY 24VAC
61	802007090	TERM BOARD
81	0130M00038	TERMINAL BOARD
91	0130M00598	TRANSFMR, 75VA, 575V TO 24V (M4)
91	0130M00696	TRANSFORMER 208-240V TO 24V,75 (M1, M2)
91	0130M00595	TRANSFORMER, 75VA, 480V TO 24V (M3)
161	0130M00510	BLOCK, POWER (M1)
161	0130M00509	BLOCK,POWER (M2, M3, M4)
231	CAP100000440LA	CAP 10 MFD/440V/OVAL (M3)
231	CAP100000370LA	CAP, 10 MFD/370V/OVAL (M2)
231	CAP100700440CT	CAP, 10/70 MFD/ 440V/ DUAL RD (M1)
231	CAP050000440LA	CAPACITOR (M4)
251	CONT2P040024V	CONT, 2 POLE, 40 AMP, 24 VAC (M1)
251	CONT3P025024V	CONT, 3 POLE, 25 AMP, 24 VAC (M4)
251	CONT3P030024V	CONT, 3 POLE, 30 AMP, 24 VAC (M2, M3)
711	B1370772	TIME DELAY (ICM) 180 SEC DEL
721	CONT2P025024V	CONT, 2 POLE, 25 AMP, 24 VAC (M1, M2)
721	CONT3P025024V	CONT, 3 POLE, 25 AMP, 24 VAC (M3, M4)
NS	B821700	BOOT, CAPACITOR (M2, M3, M4)
NS	0164M00079	BOOT-CAPACITOR, ROUND (M1)
NS	0130M00507	MOTOR POWER HARNESS (M1, M2)
NS	20520901	STRAP-CAPACITOR
NS	0130M00506	X-13 LOW VOLTAGE WIRE HARNESS (M1, M2)

Expanded Model Nomenclature

M1 - DFC0601D000001SAA
M2 - DFC0603D000001SAA
M3 - DFC0604D000001SAA
M4 - DFC0607D000001SAA

ACCESSORY PARTS LIST

NOTE: NOT ALL OPTIONS AVAILABLE FOR ALL PRODUCTS

FOR ACCESSORY PARTS SEE THE FOLLOWING PART MANUAL

RP-FIOPS*
RP-EHX[B,D]**

ACCESSORY PARTS

Ref. Part

No: No:

Description:

Ref. Part

No: No:

Description:

Image 1:

NS RP-FIOPS* ACCESSORY RP MANUAL

NS RP-EHX(B,D)** HEATER KIT RP MANUAL

Expanded Model Nomenclature

M1 - DFC0601D000001SAA

M2 - DFC0603D000001SAA

M3 - DFC0604D000001SAA

M4 - DFC0607D000001SAA