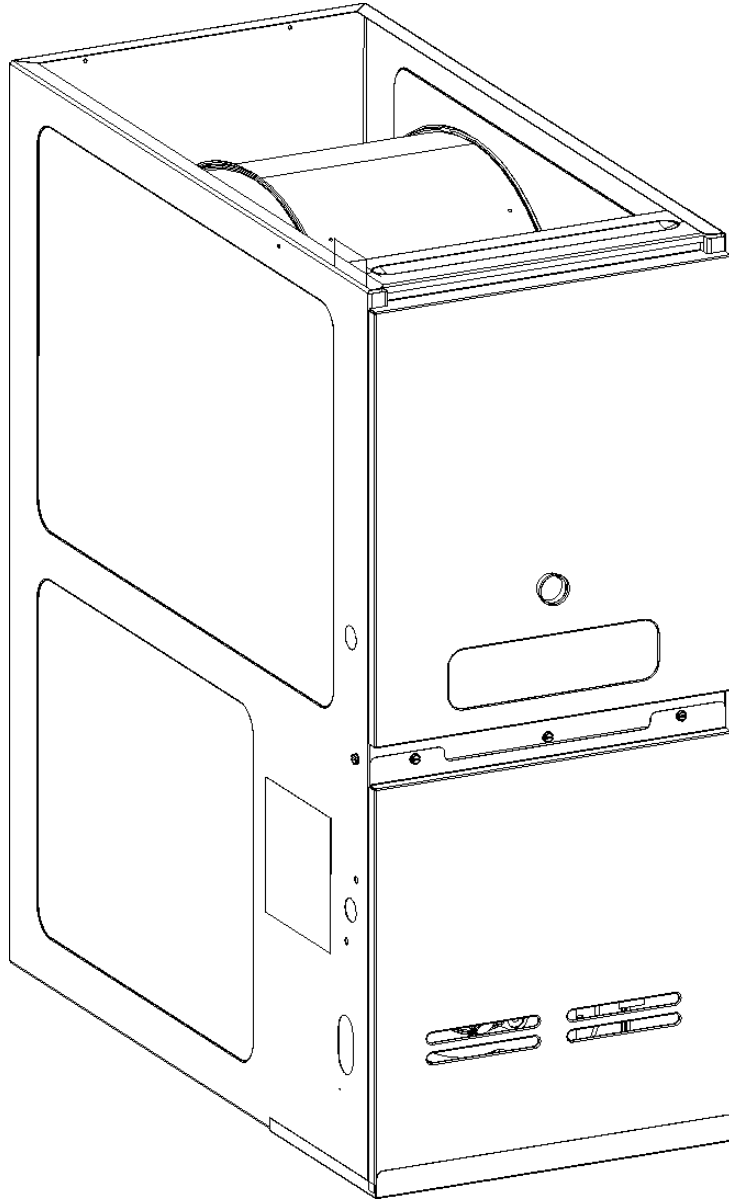


DD80VC Variable Speed Downflow Furnace

DD80VC0603BNAA
DD80VC0603BXAA
DD80VC0805CNAA
DD80VC0805CXAA
DD80VC1005CNAA
DD80VC1005CXAA



This manual is to be used by qualified technicians only.

This manual replaces RP-D2009.

© 2013 Daikin Manufacturing Company, L.P. ♦ 5151 San Felipe St., Suite 500 ♦ Houston, TX 77056

Important Information

Index

Functional Parts List	3
Illustration and Parts	4 - 9

Views shown are for parts illustrations only, not servicing procedures

Rev A: added vent motor capacitor service part

Text Codes:

AR - As Required

NA - Not Available

NS - Not Shown

00000000 - See Note

QTY - Quantity Example (QTY 3) (If Quantity not shown, Quantity = 1)

M - Model Example (M1) (If M Code not shown, then part is used on all Models)

Expanded Model Nomenclature:

Example M1 - Model#1 M2 - Model#2 M3 - Model#3

Daikin Manufacturing Company, L.P. is not responsible for personal injury or property damage resulting from improper service. Review all service information before beginning repairs.

Warranty service must be performed by an authorized technician, using authorized factory parts. If service is required after the warranty expires, Daikin Manufacturing Company, L.P. also recommends contacting an authorized technician and using authorized factory parts.

Daikin Manufacturing Company, L.P. reserves the right to discontinue, or change at any time, specifications or designs without notice or without incurring obligations.

For assistance within the U.S.A. contact:

Consumer Affairs Department
Daikin North America, LLC
7401 Security Way
Houston, Texas 77040
855-770-5678-Telephone
713-863-2382-Facsimile

For assistance outside the U.S.A. contact:

International Division
Daikin North America, LLC
7401 Security Way
Houston, Texas 77040
713-861-2500-Telephone
713-863-2382-Facsimile

Functional Parts

Part

No:

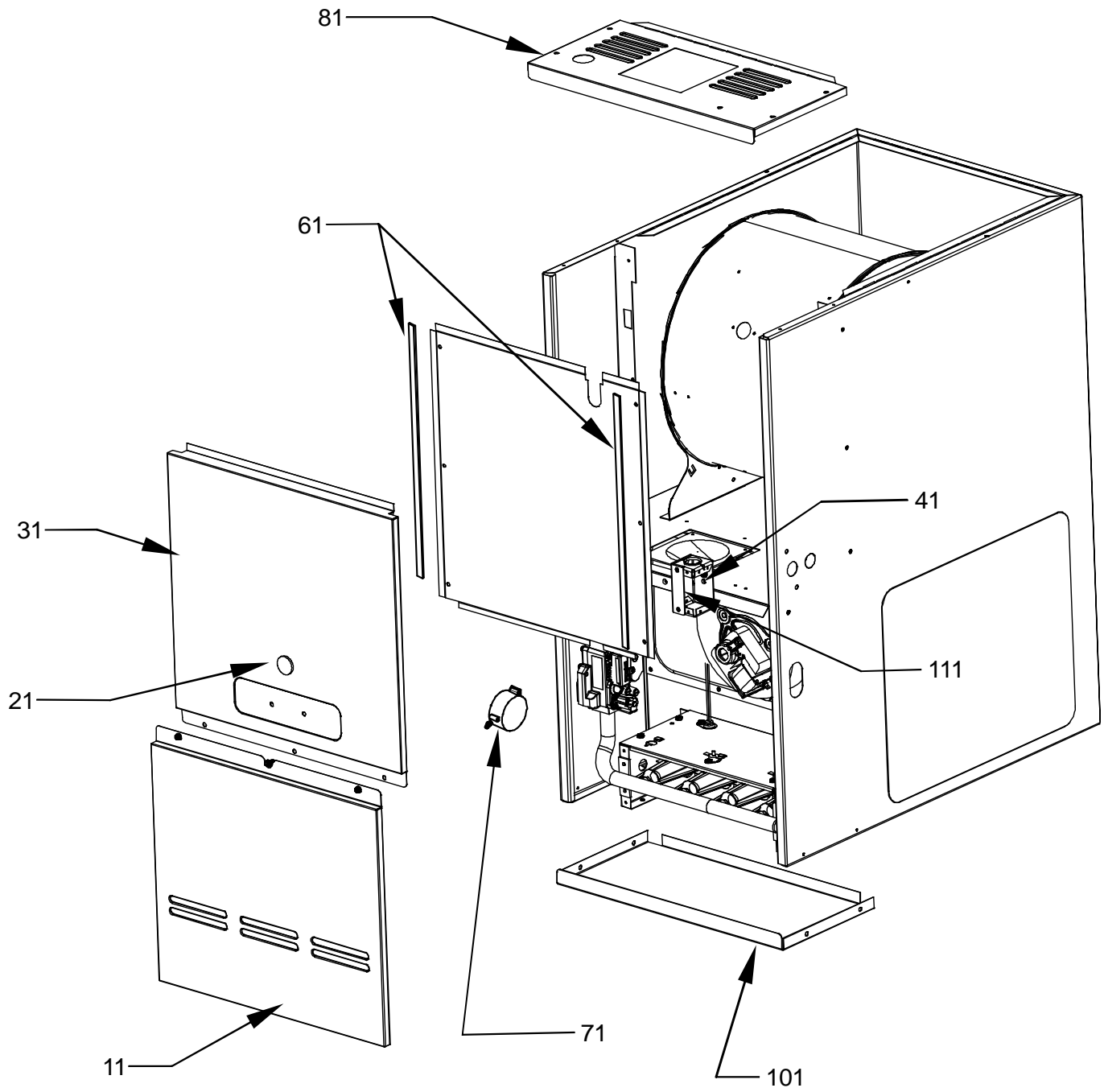
Description:

0130F00049	AIR PRESSURE SWITCH (M3, M4, M5, M6)
B1368016	BLOWER WHEEL 10 X 8 (M1, M2)
0150M00035	BLOWER WHEEL, 10 X 10 (M3, M4, M5, M6)
0130F00352	DATA, FURNACE PCB MEMORY CHIP (M1)
0130F00357	DATA, FURNACE PCB MEMORY CHIP (M6)
0130F00356	DATA, FURNACE PCB MEMORY CHIP (M5)
0130F00355	DATA, FURNACE PCB MEMORY CHIP (M4)
0130F00354	DATA, FURNACE PCB MEMORY CHIP (M3)
0130F00353	DATA, FURNACE PCB MEMORY CHIP (M2)
0130F00010	FLAME SENSOR
0130F00008	IGNITOR-SINI 17 SEC
0130M00141	INDUCTOR, 5.9 AMPS (GMPE100-4)
0130F00067	LIMIT (M1, M2, M3, M4)
10123529	MANUAL RESET LIMIT
0131M00271	MOTOR, 3/4 HP, SERIAL ECM
PCBKF103	PCB, CONTROL, FURNACE
B1370210	PRESSURE SWITCH, PINK (M1, M2)
0130F00038	PRIMARY LIMIT - LT BLUE 120°
0130F00036	PRIMARY LIMIT - PINK (M5, M6)
0130M00140	TRANSFORMER 120V TO 24V, 40 VA
0151M00028	VALVE,GAS(HW)VR92
DY6.186.070	VENT MOTOR CAPACITOR
0131M00003P	VENT MOTOR, 2-STAGE

Expanded Model Nomenclature

M1 - DD80VC0603BNAA
M2 - DD80VC0603BXAA
M3 - DD80VC0805CNAA
M4 - DD80VC0805CXAA
M5 - DD80VC1005CNAA
M6 - DD80VC1005CXAA

Cabinet



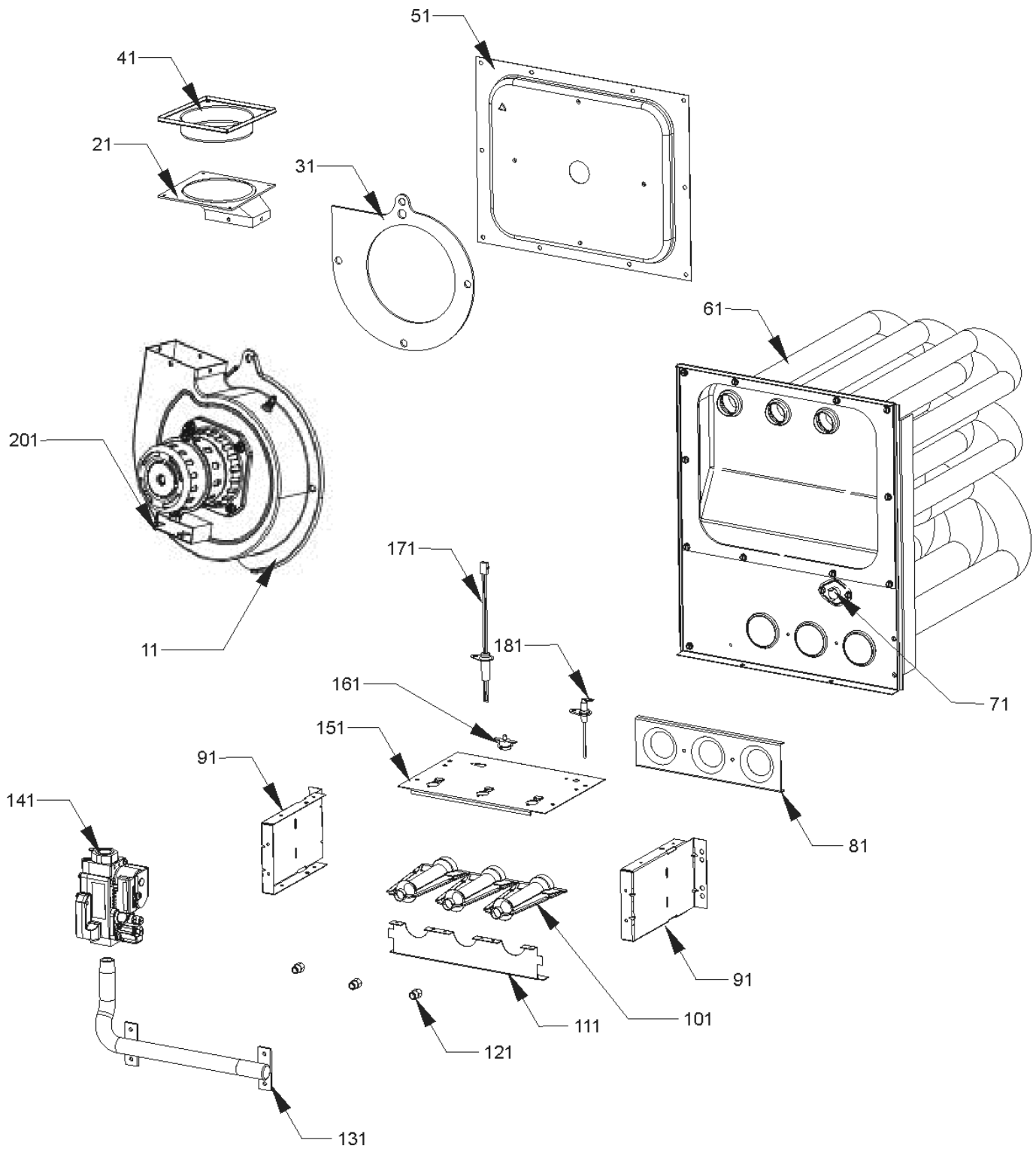
Cabinet

Ref. Part No:	No:	Description:	Ref. Part No:	No:	Description:
<i>Image 1:</i>					
11	0121F00119NG	DOOR CTRL ACCESS, 17.5" (M1, M2)			
11	0121F00120NG	DOOR CTRL ACCESS, 21" PAINTED (M3, M4, M5, M6)			
21	B1392139	VIEW PORT BUSHING-BLOWER DOOR			
31	0121F00123NG	DOOR BLOWER, 17.5" PAINTED (M1, M2)			
31	0121F00124NG	DOOR BLOWER, 21" PAINTED (M3, M4, M5, M6)			
41	4014502	J-BOX			
61	B13926112	SEAL STRIP, 1/8 X 1/2 X 17.5 (M1, M2)			
61	B13926113	SEAL STRIP, 1/8 X 1/2 X 21 (M3, M4, M5, M6)			
71	0130F00049	AIR PRESSURE SWITCH (M3, M4, M5, M6)			
71	B1370210	PRESSURE SWITCH, PINK (M1, M2)			
81	0121F00142DG	TOP 17.5" (M1, M2)			
81	0121F00143DG	TOP 21" (M3, M4, M5, M6)			
101	0121F00190DG	FURNACE BOTTOM 17.5" (M1, M2)			
101	0121F00191DG	FURNACE BOTTOM 21" (M3, M4, M5, M6)			
111	4015502	J-BOX COVER			
NS	0259F00066	INDUCER HARNESS ASSY			
NS	B1370818	INTERLOCK SWITCH			
NS	B1392147	UNIVERSAL BUSHING WITH SLICE			
NS	0259F00065	WIRE HARNESS ASSY			
NS	0259F00080	WIRE HARNESS ASSY			

Expanded Model Nomenclature

M1 - DD80VC0603BNAA
M2 - DD80VC0603BXAA
M3 - DD80VC0805CNAA
M4 - DD80VC0805CXAA
M5 - DD80VC1005CNAA
M6 - DD80VC1005CXAA

Heat Exchanger Assy



Heat Exchanger Assy

Ref. Part No: No:	Description:	Ref. Part No: No:	Description:
-------------------	--------------	-------------------	--------------

Image 1:

11	0131M00003P	VENT MOTOR, 2-STAGE
21	0128F00006	CHIMNEY TRANSITION BOTTOM
31	0154F00004	VENT MOTOR GASKET 17.5" (M1, M2)
31	0154F00005	VENT MOTOR GASKET 21" (M3, M4, M5, M6)
41	4023500	CHIMNEY TRANSITION TOP
51	0121F00332	17.5" FLUE COLLECTOR BOX 1.375" DIA (M1, M2)
51	0121F00333	21" FLUE COLLECTOR BOX 1.75" DIA (M5, M6)
51	0121F00365	21" FLUE COLLECTOR BOX 1.437" DIA. (M3, M4)
61	0270F00933	HEAT EXCHANGER ASSY (M1, M2)
61	0270F00935	HEAT EXCHANGER ASSY (M3, M4)
61	0270F00936	HEAT EXCHANGER ASSY (M5, M6)
71	0130F00067	LIMIT (M1, M2, M3, M4)
71	0130F00036	PRIMARY LIMIT - PINK (M5, M6)
81	4028001	ORIFICE SHIELD 3 CELL (M1, M2)
81	4028002	ORIFICE SHIELD 4 CELL (M3, M4)
81	4028003	ORIFICE SHIELD 5 CELL (M5, M6)
91	0121F00146	BURNER BOX SIDE (QTY 2)
101	B4022700	INSHOT BURNER ASSY 3" (QTY A/R)
111	0121F00168	BURNER BRACKET 3B (M1, M2)
111	0121F00169	BURNER BRACKET 4B (M3, M4)
111	0121F00170	BURNER BRACKET 5B (M5, M6)
121	B4089345	ORIFICE (QTY A/R)
131	0120F00007	MANIFOLD (M1, M2)
131	0120F00008	MANIFOLD (M3, M4)
131	0120F00009	MANIFOLD (M5, M6)
141	0151M00028	VALVE,GAS(HW)VR92
151	0121F00163	BURNER BOX TOP 3 CELL (M1, M2)
151	0121F00164	BURNER BOX TOP 4 CELL (M3, M4)
151	0121F00165	BURNER BOX TOP 5 CELL (M5, M6)
161	10123529	MANUAL RESET LIMIT
171	0130F00008	IGNITOR-SINI 17 SEC
181	0130F00010	FLAME SENSOR
201	DY6.186.070	VENT MOTOR CAPACITOR

Expanded Model Nomenclature

M1 - DD80VC0603BNAA
M2 - DD80VC0603BXAA
M3 - DD80VC0805CNAA
M4 - DD80VC0805CXAA
M5 - DD80VC1005CNAA
M6 - DD80VC1005CXAA

Blower and Control Panel

Image 1

*If end bells are needed please order the following:
0131M00182 - 1/2 HP
0131M00183 - 3/4 HP
0131M00184 - 1 HP

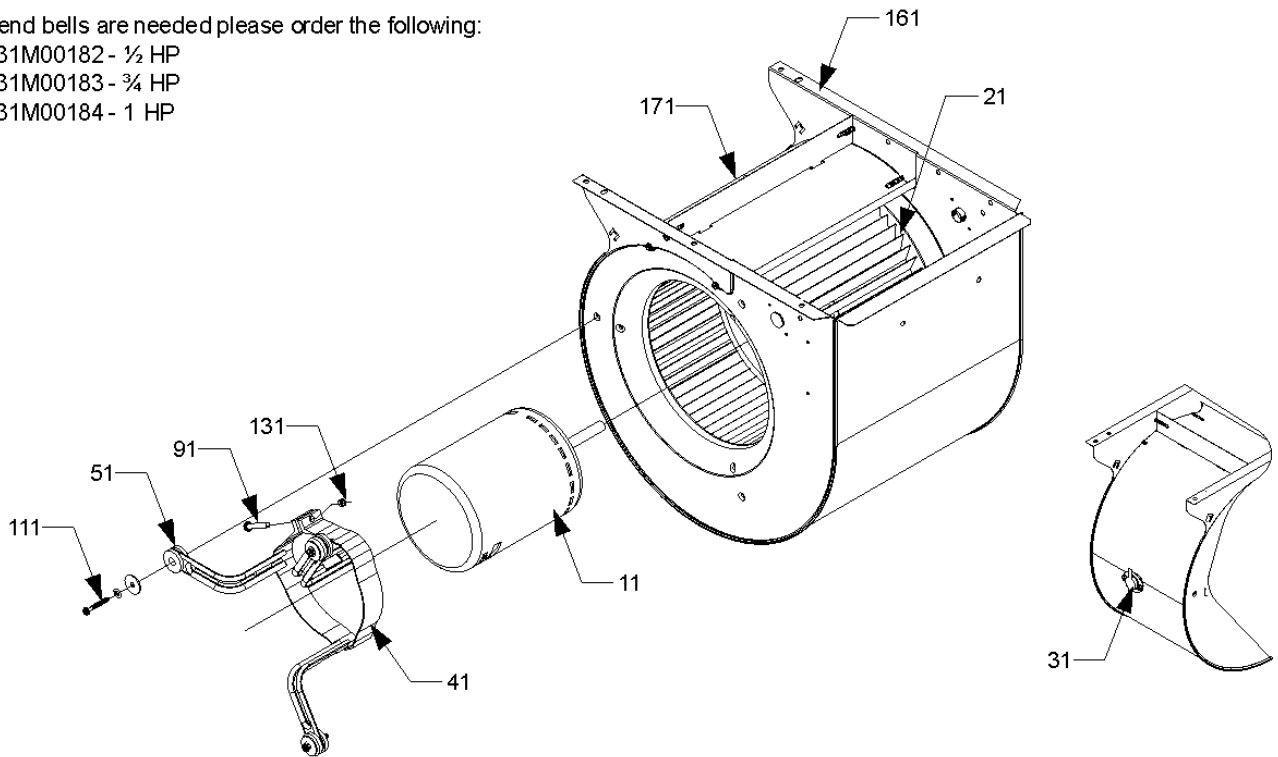
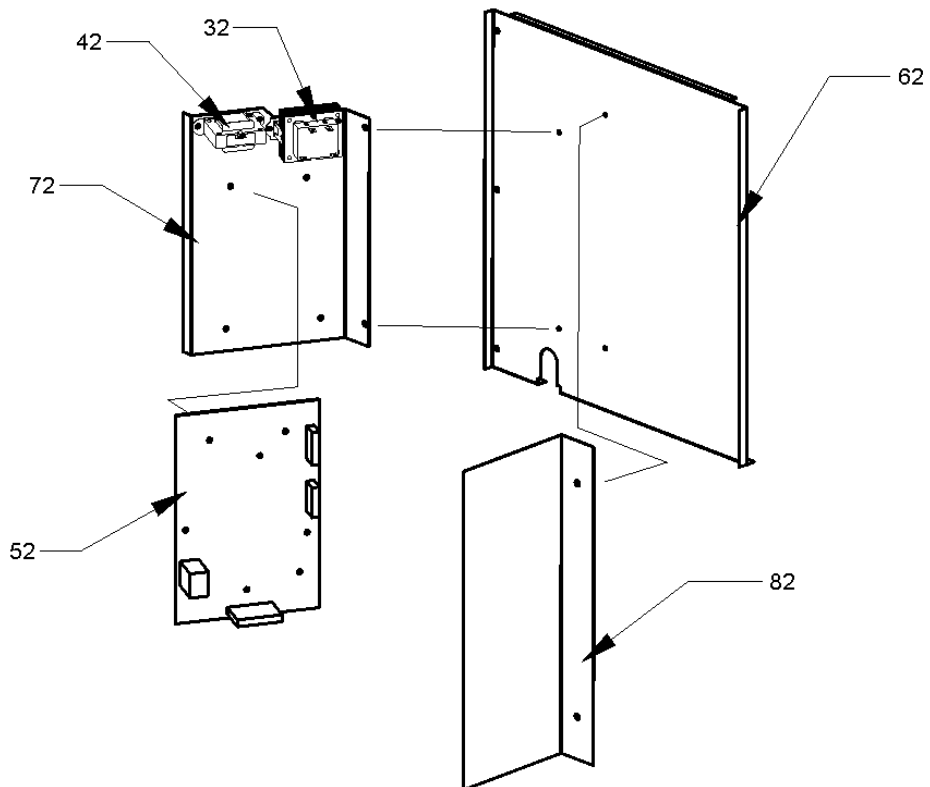


Image 2



Blower and Control Panel

Ref. Part No: No:	Description:	Ref. Part No: No:	Description:
-------------------	--------------	-------------------	--------------

Image 1:

11	0131M00271	MOTOR, 3/4 HP, SERIAL ECM
21	B1368016	BLOWER WHEEL 10 X 8 (M1, M2)
21	0150M00035	BLOWER WHEEL, 10 X 10 (M3, M4, M5, M6)
31	0130F00038	PRIMARY LIMIT - LT BLUE 120°
41	0121M00038	MOTOR MOUNT BAND
51	B1376853	MOTOR MOUNT ARM (M1, M2)
51	B1376857	MOTOR MOUNT ARM (M3, M4, M5, M6)
91	B1393323	MACHINE SCREW HWH 1/4-20 X 1-1/2 BZ
111	M0250565	TC SCREW 1.25" (QTY 3)
131	B1393800	LOCKNUT, NYLON, INSERT 1/4, 20
161	2539307	BLOWER HOUSING 10 X 10 (M3, M4, M5, M6)
161	2539306	BLOWER HOUSING 10 X 8 (M1, M2)
171	764741F	BLOWER BLOCK-OFF 10 X 10 (M3, M4, M5, M6)
171	764740	BLOWER BLOCK-OFF 10 X 8 (M1, M2)
NS	0259F00067	CONTROL HARNESS
NS	0259F00068	POWER HARNESS

Image 2:

32	0130M00140	TRANSFORMER 120V TO 24V, 40 VA
42	0130M00141	INDUCTOR, 5.9 AMPS (GMPE100-4)
52	PCBKF103	PCB, CONTROL, FURNACE
62	0121F00227	DOOR, INNER 17.5" (M1, M2)
62	0121F00228	DOOR, INNER 21" (M3, M4, M5, M6)
72	0121F00186	BRACKET, CONTROL
82	0121F00229	HEAT SHIELD
NS	0130F00352	DATA, FURNACE PCB MEMORY CHIP (M1)
NS	0130F00353	DATA, FURNACE PCB MEMORY CHIP (M2)
NS	0130F00354	DATA, FURNACE PCB MEMORY CHIP (M3)
NS	0130F00355	DATA, FURNACE PCB MEMORY CHIP (M4)
NS	0130F00356	DATA, FURNACE PCB MEMORY CHIP (M5)
NS	0130F00357	DATA, FURNACE PCB MEMORY CHIP (M6)

Expanded Model Nomenclature

M1 - DD80VC0603BNAA
M2 - DD80VC0603BXAA
M3 - DD80VC0805CNAA
M4 - DD80VC0805CXAA
M5 - DD80VC1005CNAA
M6 - DD80VC1005CXAA

*If end bells are needed please order the following:

0131M00182 - 1/2 HP
 0131M00183 - 3/4 HP
 0131M00184 - 1 HP