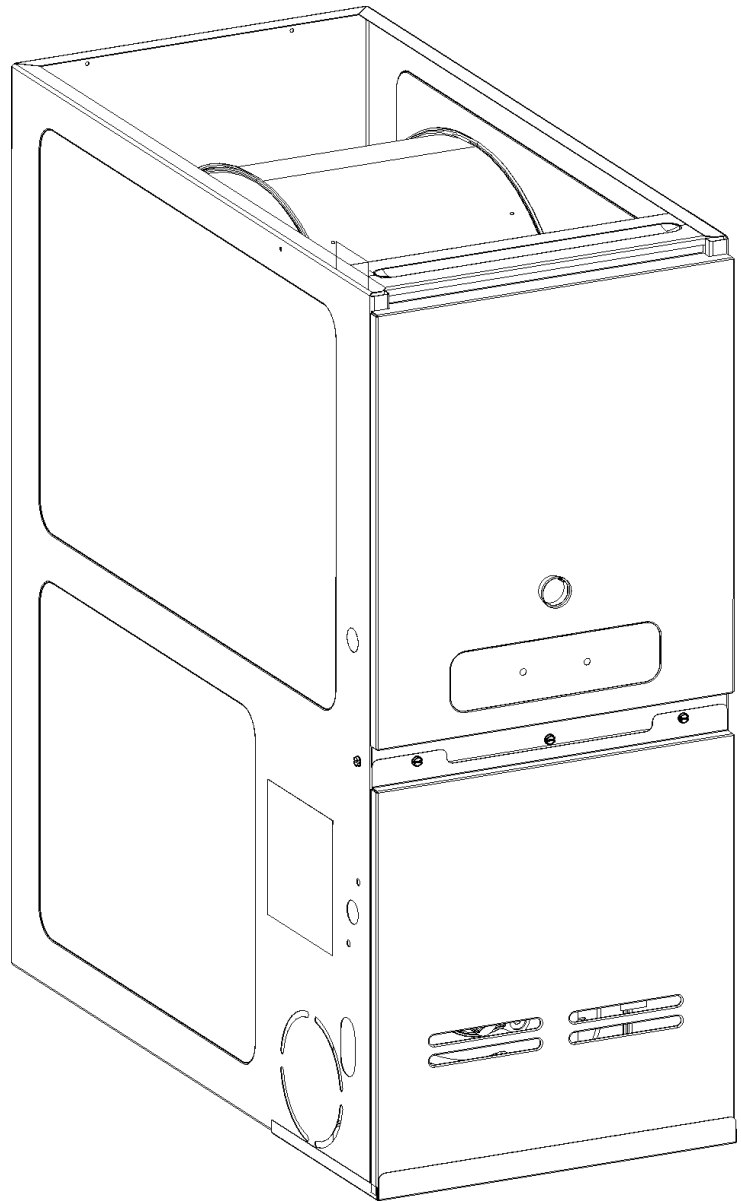


DD80SS Down flow Furnace

DD80SS0403AXAA
DD80SS0403AXAB
DD80SS0403AXAC
DD80SS0603AXAA
DD80SS0603AXAB
DD80SS0603AXAC
DD80SS0804BXAA
DD80SS0804BXAB
DD80SS0804BXAC
DD80SS1005CXAA
DD80SS1005CXAB
DD80SS1005CXAC



This manual is to be used by qualified technicians only.

This manual replaces RP-D2013B.

© 2013-2015 **DAIKIN MANUFACTURING COMPANY, L.P.** ♦ 5151 San Felipe St., Suite 500 ♦ Houston, TX 77056

Important Information

Index

Functional Parts List	3
Illustration and Parts	4 - 9

Views shown are for parts illustrations only, not servicing procedures

Text Codes:

AR - As Required

NA - Not Available

NS - Not Shown

00000000 - See Note

QTY - Quantity Example (QTY 3) (If Quantity not shown, Quantity = 1)

M - Model Example (M1) (If M Code not shown, then part is used on all Models)

Expanded Model Nomenclature:

Example M1 - Model#1 M2 - Model#2 M3 - Model#3

Daikin Manufacturing Company, L.P. is not responsible for personal injury or property damage resulting from improper service. Review all service information before beginning repairs.

Warranty service must be performed by an authorized technician, using authorized factory parts. If service is required after the warranty expires, Daikin Manufacturing Company, L.P. also recommends contacting an authorized technician and using authorized factory parts.

Daikin Manufacturing Company, L.P. reserves the right to discontinue, or change at any time, specifications or designs without notice or without incurring obligations.

For assistance within the U.S.A. contact:

Consumer Affairs Department

Daikin North America, LLC

7401 Security Way

Houston, Texas 77040

855-770-5678-Telephone

713-863-2382-Facsimile

For assistance outside the U.S.A. contact:

International Division

Daikin North America, LLC

7401 Security Way

Houston, Texas 77040

713-861-2500-Telephone

713-863-2382-Facsimile

Functional Parts

Part

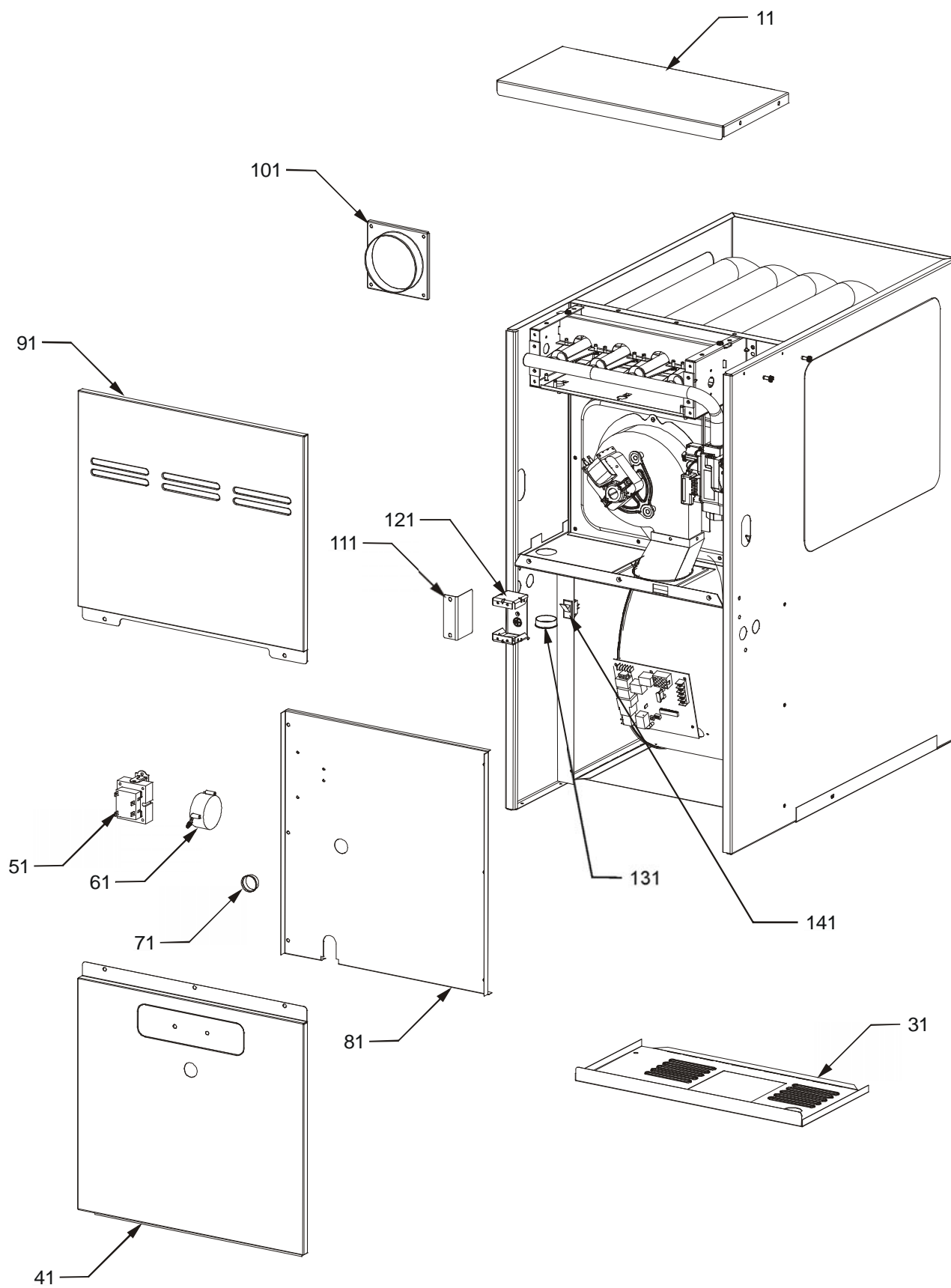
No: Description:

0130F00038	AUX LIMIT - LT BLUE 120°
0131F00022	BLOWER MOTOR 1/2 HP, 4 SP, 6 PL (M7, M8, M9)
20046618	BLOWER MOTOR 3/4 HP (M10, M11, M12)
0131F00027	BLOWER MOTOR, 1/3HP, 4SP, 6PL (M1, M2, M3, M4, M5, M6)
B1368047	BLOWER WHEEL 10 X 10 (M10, M11, M12)
B1368034	BLOWER WHEEL 10 X 6 (M1, M2, M3, M4, M5, M6)
B1368016	BLOWER WHEEL 10 X 8 (M7, M8, M9)
CAP125000370CP	CAP, 12.5 MFD/370V/ RD (M1, M2, M3, M4, M5, M6)
CAP200000370CP	CAP, 20 MFD/370V/ RD (M7, M8, M9)
CAP250000370CP	CAP, 25 MFD/370V/ RD (M10, M11, M12)
0130F00010	FLAME SENSOR
0151M00037	GAS VALVE (M2, M3, M5, M6, M8, M9, M11, M12)
0151M00013	GAS VALVE (HW) SINGLE STAGE (M1, M4, M7, M10)
0270F00934	HEAT EXCHANGER ASSY (M7)
0270F00932	HEAT EXCHANGER ASSY (M4)
0270F03534	HEAT EXCHANGER ASSY (M11, M12)
0270F00936	HEAT EXCHANGER ASSY (M10)
0270F03529	HEAT EXCHANGER ASSY (M2, M3)
0270F03530	HEAT EXCHANGER ASSY (M5, M6)
0270F03532	HEAT EXCHANGER ASSY (M8, M9)
0270F00931	HEAT EXCHANGER ASSY (M1)
PCBBF134	IGNITION BOARD, HSI INTEGRATED (M3, M6, M9, M12)
PCBBF123S	IGNITION BOARD, HSI INTEGRATED (M1, M2, M4, M5, M7, M8, M10, M11)
20165703	IGNITOR (M1, M2, M4, M5, M7, M8, M10, M11)
0130F00008	IGNITOR-SINI 17 SEC (M3, M6, M9, M12)
10690402	INTERLOCK SWITCH
10123529	MANUAL RESET R.O.S. LIMIT
20162901	PRESSURE LIMIT-RED (M10, M11, M12)
0130F00042	PRESSURE SWITCH (M10, M11, M12)
B1370142	PRESSURE SWITCH 0.60" WC (M1, M2, M3, M4, M5, M6, M7, M8, M9)
0130F00036	PRIMARY LIMIT - PINK 180° (M1, M2, M3, M4, M5, M6, M7, M8, M9)
0131M00002P	VENT MOTOR
DY6.186.070	VENT MOTOR CAPACITOR

Expanded Model Nomenclature

M1 - DD80SS0403AXAA
M2 - DD80SS0403AXAB
M3 - DD80SS0403AXAC
M4 - DD80SS0603AXAA
M5 - DD80SS0603AXAB
M6 - DD80SS0603AXAC
M7 - DD80SS0804BXAA
M8 - DD80SS0804BXAB
M9 - DD80SS0804BXAC
M10 - DD80SS1005CXAA
M11 - DD80SS1005CXAB
M12 - DD80SS1005CXAC

Cabinet Assy



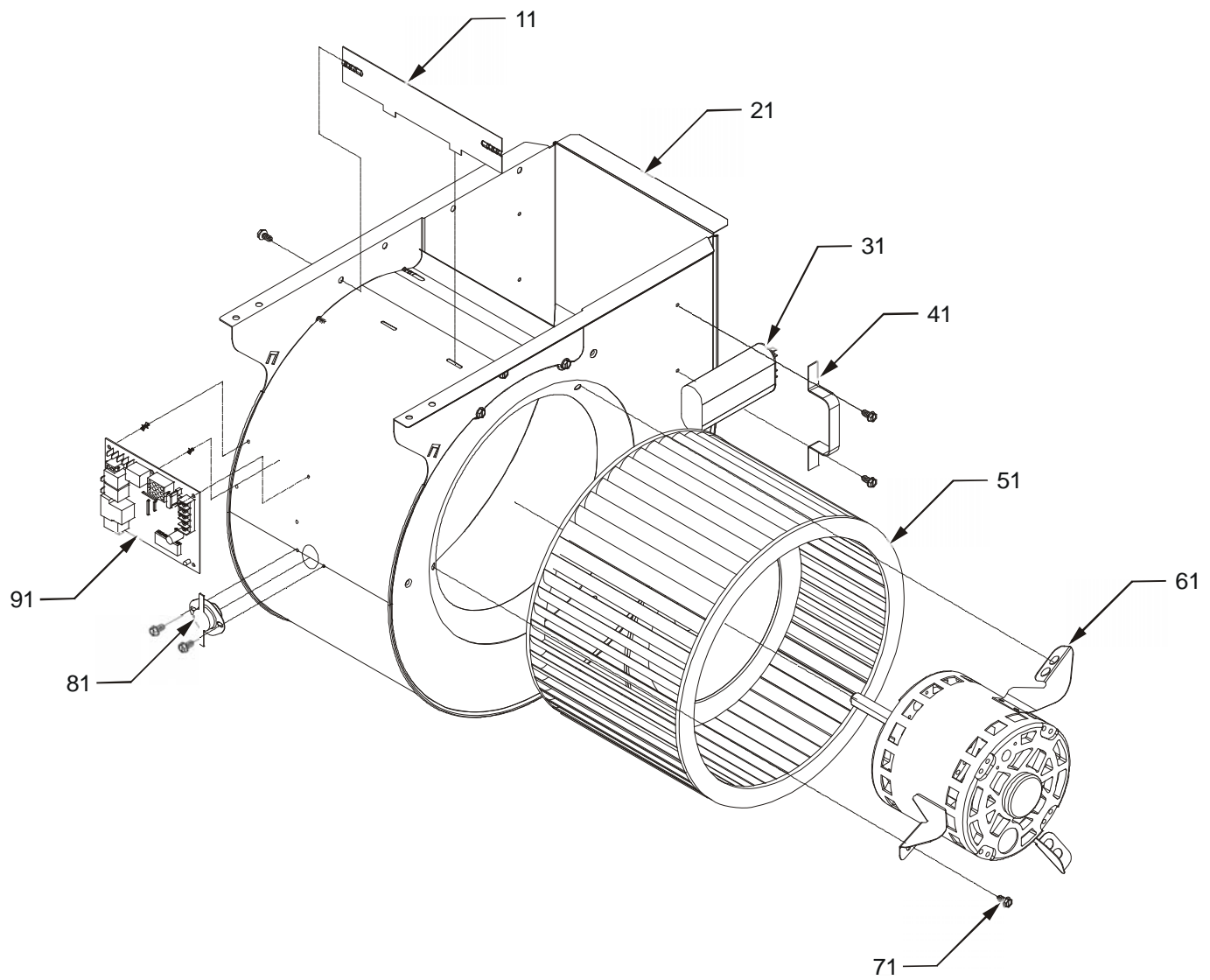
Cabinet Assy

Ref. Part No: No:	Description:	Ref. Part No: No:	Description:
Image 1:			
11	0121F00183DG		FURNACE BOTTOM 14" (M1, M2, M3, M4, M5, M6)
11	0121F00190DG		FURNACE BOTTOM 17.5" (M7, M8, M9)
11	0121F00191DG		FURNACE BOTTOM 21" (M10, M11, M12)
31	0121F00141DG		TOP 14" (M1, M2, M3, M4, M5, M6)
31	0121F00142DG		TOP 17.5" (M7, M8, M9)
31	0121F00143DG		TOP 21" (M10, M11, M12)
41	0121F00122NG		BLOWER ACCESS DOOR 14" (M1, M2, M3, M4, M5, M6)
41	0121F00123NG		BLOWER ACCESS DOOR 17.5" (M7, M8, M9)
41	0121F00124NG		BLOWER ACCESS DOOR 21" (M10, M11, M12)
51	0130M00139		TRANSFORMER, 40VA,120VTO24V
61	0130F00042		PRESSURE SWITCH (M10, M11, M12)
61	B1370142		PRESSURE SWITCH 0.60" WC (M1, M2, M3, M4, M5, M6, M7, M8, M9)
71	B1392139		VIEW PORT BUSHING-BLOWER DOOR
81	0121F00185		INNER BLOWER DOOR 14" (M1, M2, M3, M4, M5, M6)
81	0121F00192		INNER BLOWER DOOR 17.5" (M7, M8, M9)
81	0121F00193		INNER BLOWER DOOR 21" (M10, M11, M12)
91	0121F00118NG		CONTROL ACCESS DOOR 14" (M1, M2, M3, M4, M5, M6)
91	0121F00119NG		CONTROL ACCESS DOOR 17.5" (M7, M8, M9)
91	0121F00120NG		CONTROL ACCESS DOOR 21" (M10, M11, M12)
101	4023500		CHIMNEY TRANSITION TOP
111	4015502		J-BOX COVER
121	4014502		J-BOX
131	0163F00001		UNIVERSAL BUSHING WITH SLICE
141	10690402		INTERLOCK SWITCH
NS	0259F00057		ASSY, WIRE HARNESS, 12-PIN
NS	0159F00009		IGNITOR WIRE HARNESS ASSY (M1, M2, M4, M5, M7, M8, M10, M11)
NS	0259F00058		IGNITOR WIRE HARNESS ASSY (M3, M6, M9, M12)

Expanded Model Nomenclature

M1 - DD80SS0403AXAA
M2 - DD80SS0403AXAB
M3 - DD80SS0403AXAC
M4 - DD80SS0603AXAA
M5 - DD80SS0603AXAB
M6 - DD80SS0603AXAC
M7 - DD80SS0804BXAA
M8 - DD80SS0804BXAB
M9 - DD80SS0804BXAC
M10 - DD80SS1005CXAA
M11 - DD80SS1005CXAB
M12 - DD80SS1005CXAC

Blower Assy



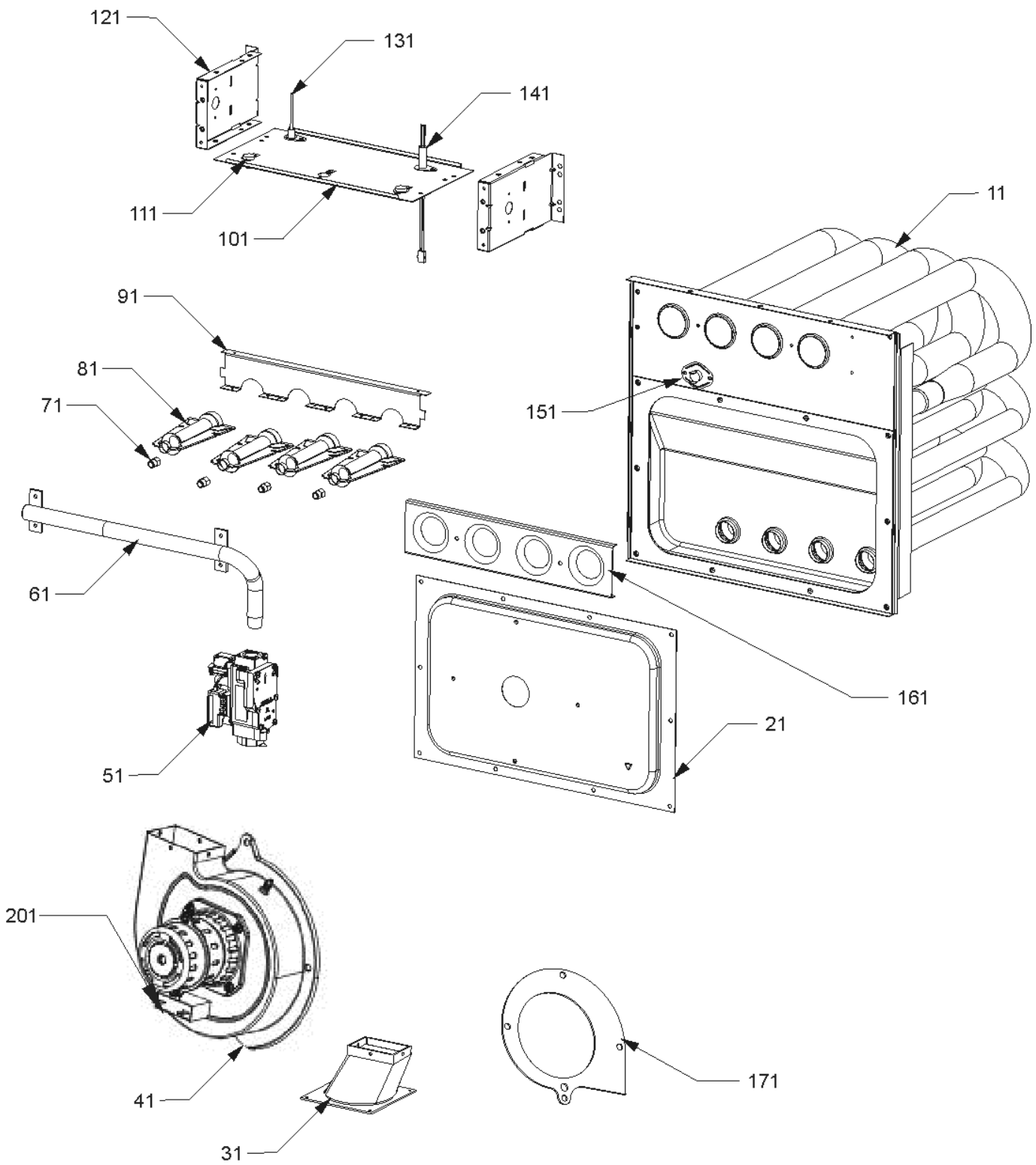
Blower Assy

Ref. Part No: No:	Description:	Ref. Part No: No:	Description:
Image 1:			
11 764741	BLOWER BLOCK-OFF 10 X 10 (M10, M11, M12)		
11 764740	BLOWER BLOCK-OFF 10 X 8 (M7, M8, M9)		
11 764739	BLOWER CUT-OFF 10 X 6 (M1, M2, M3, M4, M5, M6)		
21 2539307	BLOWER HOUSING 10 X 10 (M10, M11, M12)		
21 2539305	BLOWER HOUSING 10 X 6 (M1, M2, M3, M4, M5, M6)		
21 2539306	BLOWER HOUSING 10 X 8 (M7, M8, M9)		
31 CAP125000370CP	CAP, 12.5 MFD/370V/ RD (M1, M2, M3, M4, M5, M6)		
31 CAP200000370CP	CAP, 20 MFD/370V/ RD (M7, M8, M9)		
31 CAP250000370CP	CAP, 25 MFD/370V/ RD (M10, M11, M12)		
41 1284835	CAPACITOR STRAP		
51 B1368047	BLOWER WHEEL 10 X 10 (M10, M11, M12)		
51 B1368034	BLOWER WHEEL 10 X 6 (M1, M2, M3, M4, M5, M6)		
51 B1368016	BLOWER WHEEL 10 X 8 (M7, M8, M9)		
61 0131F00022	BLOWER MOTOR 1/2 HP, 4 SP, 6 PL (M7, M8, M9)		
61 20046618	BLOWER MOTOR 3/4 HP (M10, M11, M12)		
61 0131F00027	BLOWER MOTOR, 1/3HP, 4SP, 6PL (M1, M2, M3, M4, M5, M6)		
71 M0250558	TC SCREW (QTY 3)		
81 0130F00038	AUX LIMIT - LT BLUE 120°		
91 PCBBF123S	IGNITION BOARD, HSI INTEGRATED (M1, M2, M4, M5, M7, M8, M10, M11)		
91 PCBBF134	IGNITION BOARD, HSI INTEGRATED (M3, M6, M9, M12)		
NS B1393802	SUPPORT, 2-WING BOARD, .187 MT (QTY 4)		
NS B1393803	SUPPORT, SINGLE-WING BOARD		

Expanded Model Nomenclature

- | |
|----------------------|
| M1 - DD80SS0403AXAA |
| M2 - DD80SS0403AXAB |
| M3 - DD80SS0403AXAC |
| M4 - DD80SS0603AXAA |
| M5 - DD80SS0603AXAB |
| M6 - DD80SS0603AXAC |
| M7 - DD80SS0804BXAA |
| M8 - DD80SS0804BXAB |
| M9 - DD80SS0804BXAC |
| M10 - DD80SS1005CXAA |
| M11 - DD80SS1005CXAB |
| M12 - DD80SS1005CXAC |

Heat Exchanger Assy



Heat Exchanger Assy

Ref. Part No:	Description:	Ref. Part No:	Description:
Image 1:		Expanded Model Nomenclature	
11	0270F00931 HEAT EXCHANGER ASSY (M1)	M1	DD80SS0403AXAA
11	0270F00932 HEAT EXCHANGER ASSY (M4)	M2	DD80SS0403AXAB
11	0270F00934 HEAT EXCHANGER ASSY (M7)	M3	DD80SS0403AXAC
11	0270F00936 HEAT EXCHANGER ASSY (M10)	M4	DD80SS0603AXAA
11	0270F03529 HEAT EXCHANGER ASSY (M2, M3)	M5	DD80SS0603AXAB
11	0270F03530 HEAT EXCHANGER ASSY (M5, M6)	M6	DD80SS0603AXAC
11	0270F03532 HEAT EXCHANGER ASSY (M8, M9)	M7	DD80SS0804BXAA
11	0270F03534 HEAT EXCHANGER ASSY (M11, M12)	M8	DD80SS0804BXAB
21	0121F00327 14" COLLECTOR BOX 1.125" DIA (M1, M2, M3)	M9	DD80SS0804BXAC
21	0121F00364 14" FLUE COLLECTOR BOX 1.5"DIA (M4, M5, M6)	M10	DD80SS1005CXAA
21	0121F00334 21" COLLECTOR BOX 1.625" DIA (M10, M11, M12)	M11	DD80SS1005CXAB
21	0121F00128 FLUE COLLECTOR BOX KIT 17.5" 1.75 DIA (M7, M8, M9)	M12	DD80SS1005CXAC
31	0128F00006 CHIMNEY TRANSITION BOTTOM		
41	0131M00002P VENT MOTOR		
51	0151M00037 GAS VALVE (M2, M3, M5, M6, M8, M9, M11, M12)		
51	0151M00013 GAS VALVE (HW) SINGLE STAGE (M1, M4, M7, M10)		
61	0120F00006 MANIFOLD (M1, M2, M3)		
61	0120F00007 MANIFOLD (M4, M5, M6)		
61	0120F00008 MANIFOLD (M7, M8, M9)		
61	0120F00009 MANIFOLD (M10, M11, M12)		
71	10716005 ORIFICE (QTY 2)		
81	B4022700 INSHOT BURNER ASSY 3" (QTY 2)		
91	0121F00167 BURNER BRACKET 2B (M1, M2, M3)		
91	0121F00168 BURNER BRACKET 3B (M4, M5, M6)		
91	0121F00169 BURNER BRACKET 4B (M7, M8, M9)		
91	0121F00170 BURNER BRACKET 5B (M10, M11, M12)		
101	0121F00162 BURNER BOX TOP 2 CELL (M1, M2, M3)		
101	0121F00163 BURNER BOX TOP 3 CELL (M4, M5, M6)		
101	0121F00164 BURNER BOX TOP 4 CELL (M7, M8, M9)		
101	0121F00165 BURNER BOX TOP 5 CELL (M10, M11, M12)		
111	10123529 MANUAL RESET R.O.S. LIMIT		
121	0121F00146 BURNER BOX SIDE (QTY 2)		
131	0130F00010 FLAME SENSOR		
141	20165703 IGNITOR (M1, M2, M4, M5, M7, M8, M10, M11)		
141	0130F00008 IGNITOR-SINI 17 SEC (M3, M6, M9, M12)		
151	20162901 PRESSURE LIMIT-RED (M10, M11, M12)		
151	0130F00036 PRIMARY LIMIT - PINK 180° (M1, M2, M3, M4, M5, M6, M7, M8, M9)		
161	4028000 ORIFICE SHIELD 2 CELL (M1, M2, M3)		
161	4028001 ORIFICE SHIELD 3 CELL (M4, M5, M6)		
161	4028002 ORIFICE SHIELD 4 CELL (M7, M8, M9)		
161	4028003 ORIFICE SHIELD 5 CELL (M10, M11, M12)		
171	0154F00003 VENT MOTOR GASKET 14" (M1, M2, M3, M4, M5, M6)		
171	0154F00004 VENT MOTOR GASKET 17.5" (M7, M8, M9)		
171	0154F00005 VENT MOTOR GASKET 21" (M10, M11, M12)		
201	DY6.186.070 VENT MOTOR CAPACITOR		