

Commercial 12.5 Ton High Static Package Heat Pump

DCH1500163WWXFAB
DCH150XXX3WVDXAB
DCH150XXX3WXXXAB
DCH150XXX4WXXXAB



This manual is to be used by qualified technicians only.

This manual replaces RP-D1221.

Important Information

Index

Functional Parts List	3
Illustration and Parts	4 - 15

Views shown are for parts illustrations only, not servicing procedures

Text Codes:

AR - As Required

NA - Not Available

NS - Not Shown

00000000 - See Note

QTY - Quantity Example (QTY 3) (If Quantity not shown, Quantity = 1)

M - Model Example (M1) (If M Code not shown, then part is used on all Models)

Expanded Model Nomenclature:

Example M1 - Model#1 M2 - Model#2 M3 - Model#3

Daikin Company, L.P. is not responsible for personal injury or property damage resulting from improper service. Review all service information before beginning repairs.

Warranty service must be performed by an authorized technician, using authorized factory parts. If service is required after the warranty expires, Daikin Company, L.P. also recommends contacting an authorized technician and using authorized factory parts.

Daikin Company, L.P. reserves the right to discontinue, or change at any time, specifications or designs without notice or without incurring obligations.

For assistance within the U.S.A. contact:

Equipment Support
Daikin North America, LLC
19001 Kermier Road
Waller, Texas 77484
855-770-5678-Telephone
713-863-2382-Facsimile

For assistance outside the U.S.A. contact:

International Division
Daikin North America, LLC
19001 Kermier Road
Waller, Texas 77484
713-861-2500-Telephone
713-863-2382-Facsimile

Functional Parts

Part

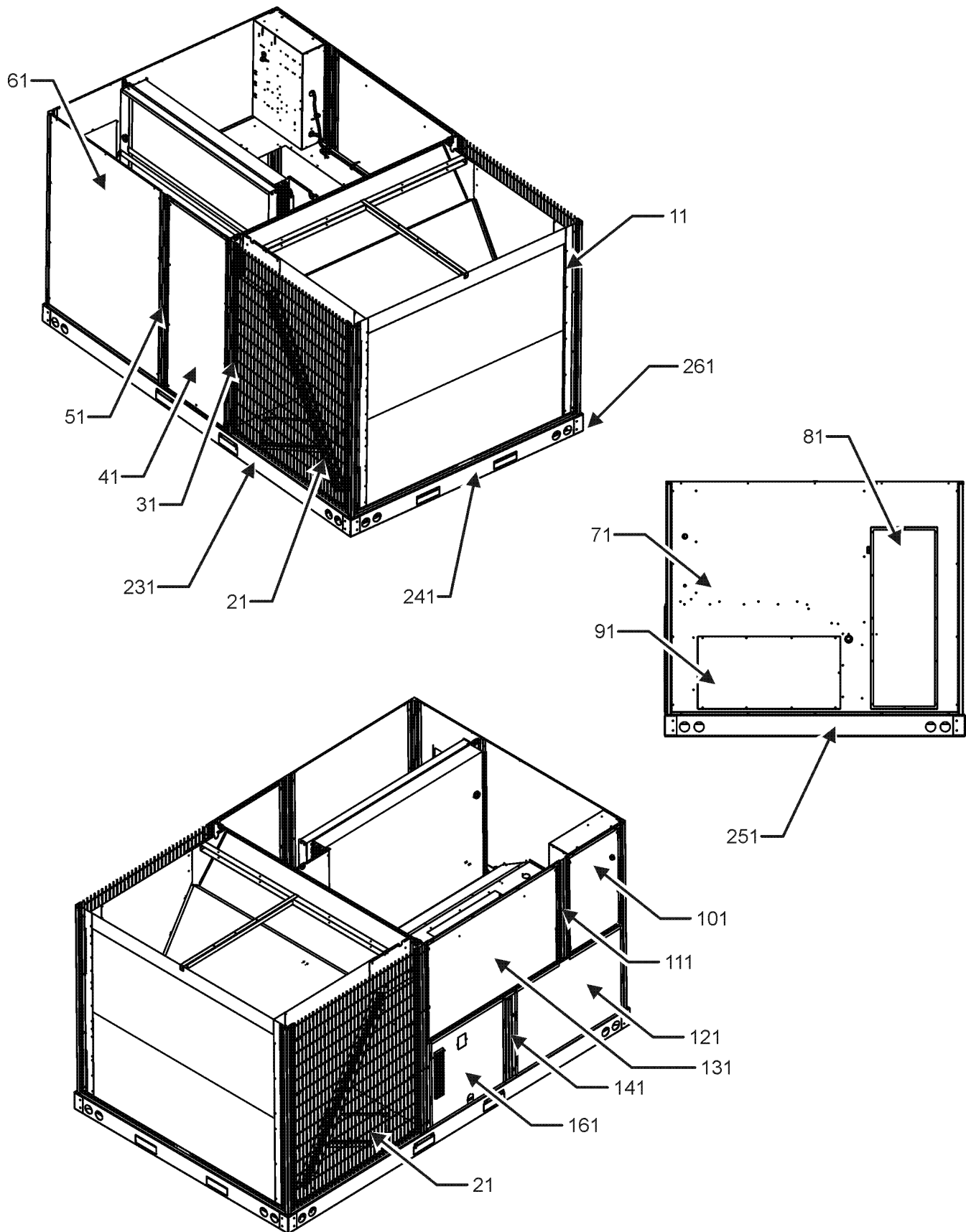
No: Description:

03-78497	BLOWER WHEEL
CAP100000370LA	CAPACITOR 10/370V (QTY 2)
ZP67KCETFD130	COMP, 67000,460/60/3 (M3)
ZP67KCETF5130	COMP, 67500,200/230/60/3 (M1, M2, M4)
0131M00430	COND MOTOR 1/3 HP, 1 SP, 6 PL (M1, M2)
CONT3P030024V	CONTACTOR 30 AMP, 3P, 24V (QTY 4)
CONT2P040024V	CONTACTOR 40 AMP, 2P, 24V
0130M00104	CONTROL, DEFROST
0130M00103	CONTROL, DEFROST
PCBDM101	DEFROST CONTROL BOARD
PCBFM103	ELECTRONIC BLOWER TIME DELAY
0164L00002	FAN BELT, NOTCHED (M3)
10625733	FAN BLADE 22" ALUM CCW (QTY 2)
0130M00074	HIGH PRESSURE SWITCH (QTY 2)
0130M00075	LOW PRESSURE SWITCH (QTY 2)
0131M00774	MOTOR, 1/3 HP, OD (M3)
0131L00074	MOTOR, 3PH, 5HP (M3)
0131L00073	MOTOR, 3PH, 5HP (M1, M2, M4)
0131L00064	MOTOR, COND, 1/3 HP, 208/230V (M4)
10135604	RELAY (QTY 4)
0130M00242	RELAY, 24V (QTY 3)
0151R00070	REVERSING VALVE (QTY 2)
0130M00038	TERMINAL BOARD
0130M00594	TRANSFORMER (M1, M2, M4)
0130M00595	TRANSFORMER, 75VA, 480V TO 24V (M3)

Expanded Model Nomenclature

M1 - DCH150XXX3WVDXAB
M2 - DCH150XXX3WXXXAB
M3 - DCH150XXX4WXXXAB
M4 - DCH1500163WWXFAB

Cabinet Assembly



Cabinet Assembly

Ref. Part No:	Ref. Part No:	Description:	Description:
---------------	---------------	--------------	--------------

Image 1:

11	0121L00979RFNG	CORNER POST (QTY 3)
11	0121L01421RFNG	CORNER POST, RF PAINTED (M1)
21	0152L00001	GRILLE-CONDENSER (QTY 2)
31	0121L00980RFNG	Post-side RF Painted (M2, M3, M4)
31	0121L01423RFNG	SIDE POST (M1)
41	0121L00759NG	FILTER DOOR
51	0121L01433RFNG	FILTER DOOR POST (M1)
51	0121L00757RFNG	Post-Filter RF Painted (M2, M3, M4)
61	0121L00378NG	ECONOMIZER DOOR (M2, M3)
71	0121L01287NG	DUCT PANEL (M1, M2, M3)
71	0121L01367NG	DUCT PANEL (M4)
81	0121L00082NG	RETURN DUCT COVER
91	0121L00099NG	SUPPLY DUCT COVER
101	0121L01078NG	CONTROL DOOR
111	0121L02305RFNG	RF, PAINTED CONTROL POST 12.5 (M2, M3, M4)
111	0121L02518RFNG	RF, PNT CNTL POST HINGED 12.5 (M1)
121	0121L00767NG	ELECTRIC HEAT DOOR
131	0121L00819NG	BLOWER DOOR
141	0121L00765RFNG	BURNER BOX POST
161	0121L00828NG	BURNER AREA DOOR
231	0121L01099RF	RAIL, BASE SIDES RF (QTY 2)
241	0121L00834RF	RAIL-BASE COND END
251	0121L00071RF	RAIL, BASE DUCT END
261	0121G00301	RAIL CORNER BRACKET (QTY 4)
NS	0121L00055	BRACKET-FORK BOARD (QTY 4)
NS	0121L00727	ECONOMIZER COVER (M1, M4)
NS	0141L00006X	FORK BOARD (QTY 2)
NS	0164L00009	GASKET-RUBBER, CPOST (QTY 3)
NS	0164L00011	GASKET-RUBBER, SIDE POST (QTY 5)

Expanded Model Nomenclature

M1 - DCH150XXX3WV DXAB
M2 - DCH150XXX3WXXXAB
M3 - DCH150XXX4WXXXAB
M4 - DCH1500163WWXFAB

Top Panel and Tubing Assembly

IMAGE 1

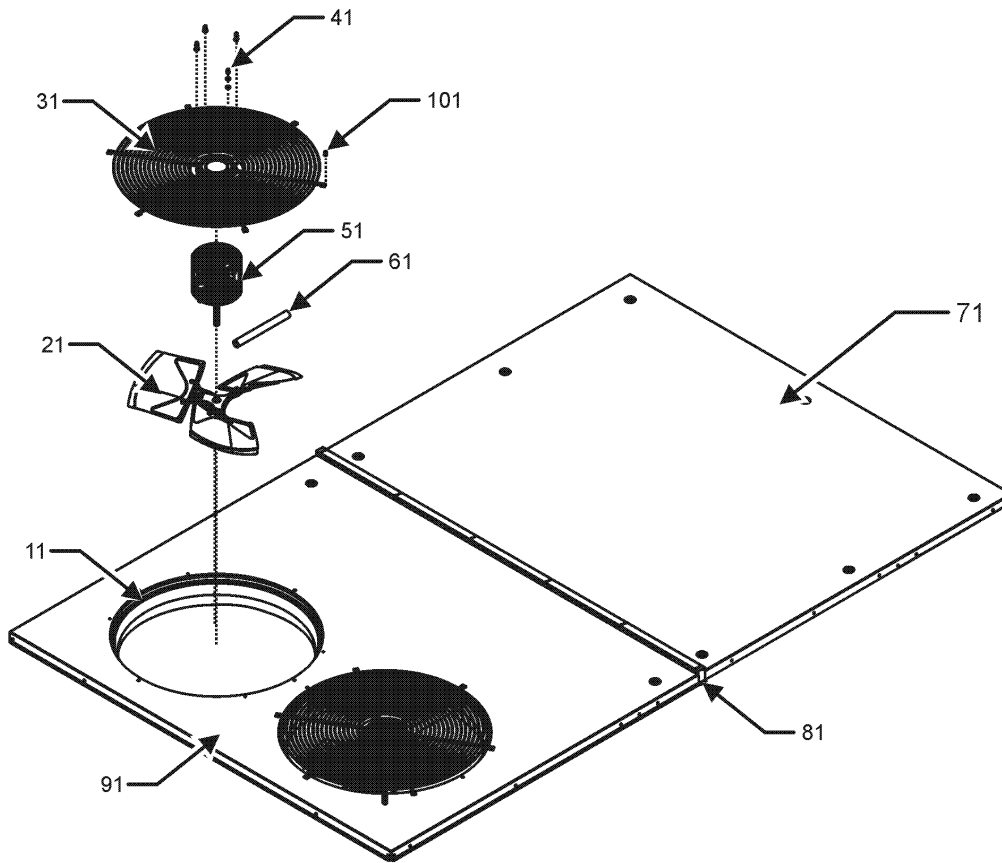
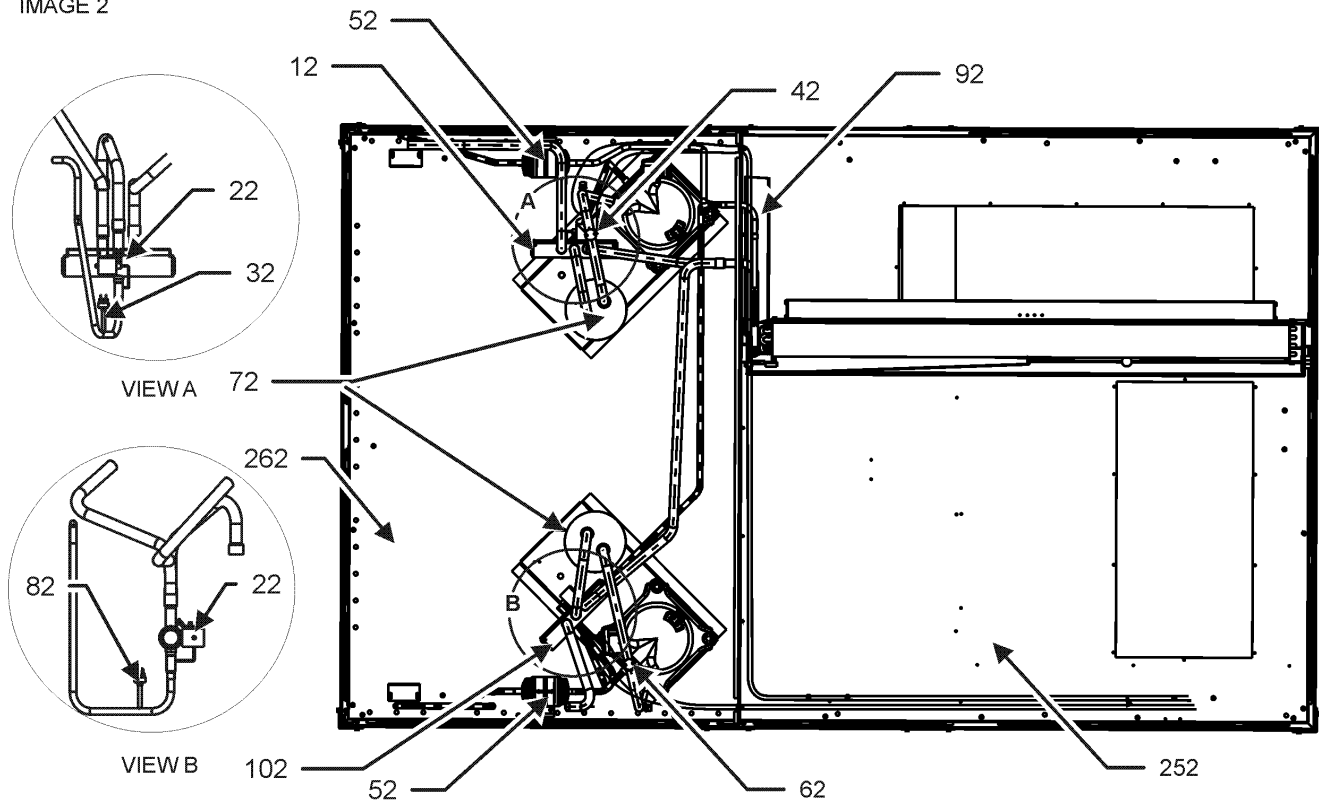


IMAGE 2



Top Panel and Tubing Assembly

Ref. Part No: No:	Description:	Ref. Part No: No:	Description:
-------------------	--------------	-------------------	--------------

Image 1:

11	0161L00000	VENTURI RING 22" (QTY 2)
21	10625733	FAN BLADE 22" ALUM CCW (QTY 2)
31	0152G00000	FAN GRILLE, RAISED (QTY 2)
41	0163M00006P	ACORN NUT 5/16 HEX BLACK (QTY 8)
51	0131M00430	COND MOTOR 1/3 HP, 1 SP, 6 PL (M1, M2)
51	0131M00774	MOTOR, 1/3 HP, OD (M3)
51	0131L00064	MOTOR, COND, 1/3 HP, 208/230V (M4)
61	0161R00003P	CONDUIT (QTY 2)
71	0121L01119NG	PAINTED TOP PANEL INDOOR
81	20455902	SPLICE GASKET .50 X .25 (QTY 11)
91	0121L01118NG	PAINTED TOP PANEL OUTDOOR
101	0163M00004	SCREW #10X3/4", BLACK (QTY 12)
NS	0163M00175	CAP WITH O-RING (QTY 4)
NS	0259L00511	HARNESS COND MOTOR
NS	0259L00512	HARNESS COND MOTOR
NS	0163M00005P	WASHER, BLACK (.50 OD .218ID) (QTY 8)

Image 2:

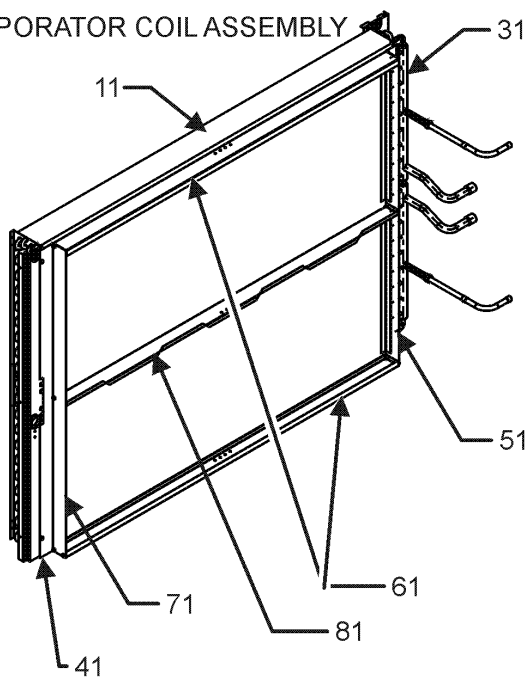
12	0151R00070	REVERSING VALVE
22	B1225022	SOLENOID COIL
32	0130M00074	CUT-OUT SWITCH, HIGH PRESSURE
42	0130M00075	CUT-OUT SWITCH, LOW PRESSURE
52	0151M00012	BI-FLOW FILTER DRIER
62	0130M00075	CUT-OUT SWITCH, LOW PRESSURE
72	0151L00001	ACCUMULATOR (QTY 2)
82	0130M00074	CUT-OUT SWITCH, HIGH PRESSURE
92	0121L02362	DRIP SHIELD - EVAP
102	0151R00070	REVERSING VALVE
252	0121L00944	BASE PAN - INDOOR
262	0121L02129	BASEPAN, OUTDOOR
NS	B1373315	ACCESS FITTING (QTY 4)

Expanded Model Nomenclature

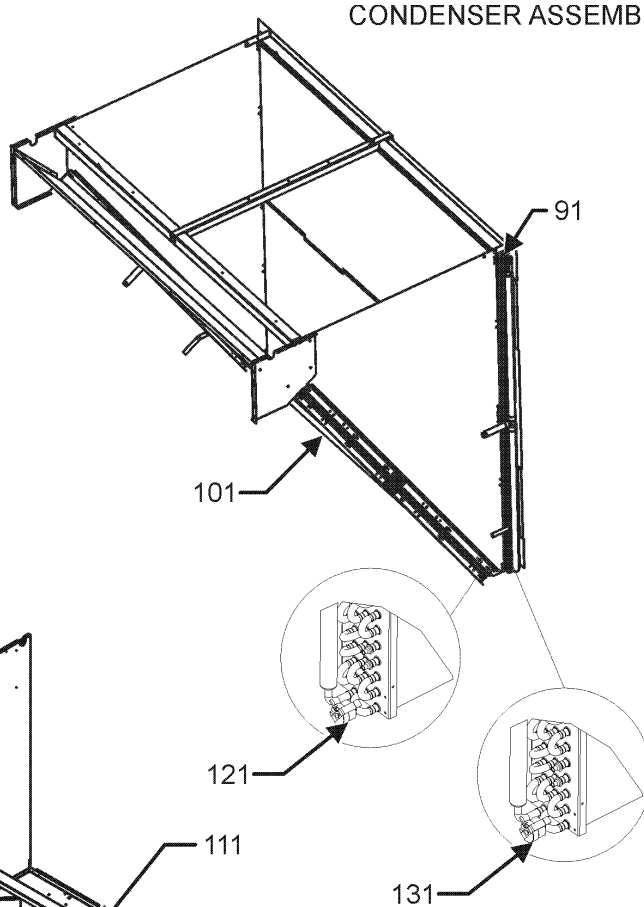
M1 - DCH150XXX3WV DXAB
M2 - DCH150XXX3WXXXAB
M3 - DCH150XXX4WXXXAB
M4 - DCH1500163WWXFAB

Partition, Evaporator, Condenser Assy

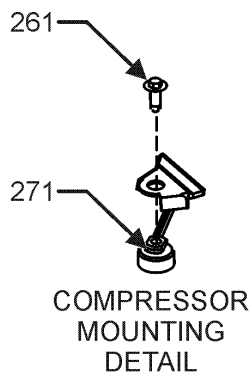
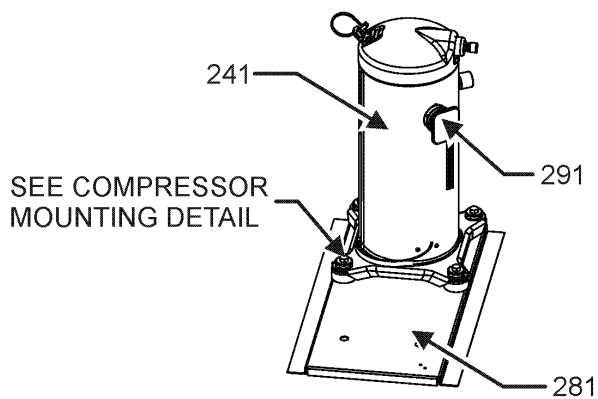
EVAPORATOR COIL ASSEMBLY



CONDENSER ASSEMBLY



COMPRESSOR ASSEMBLY



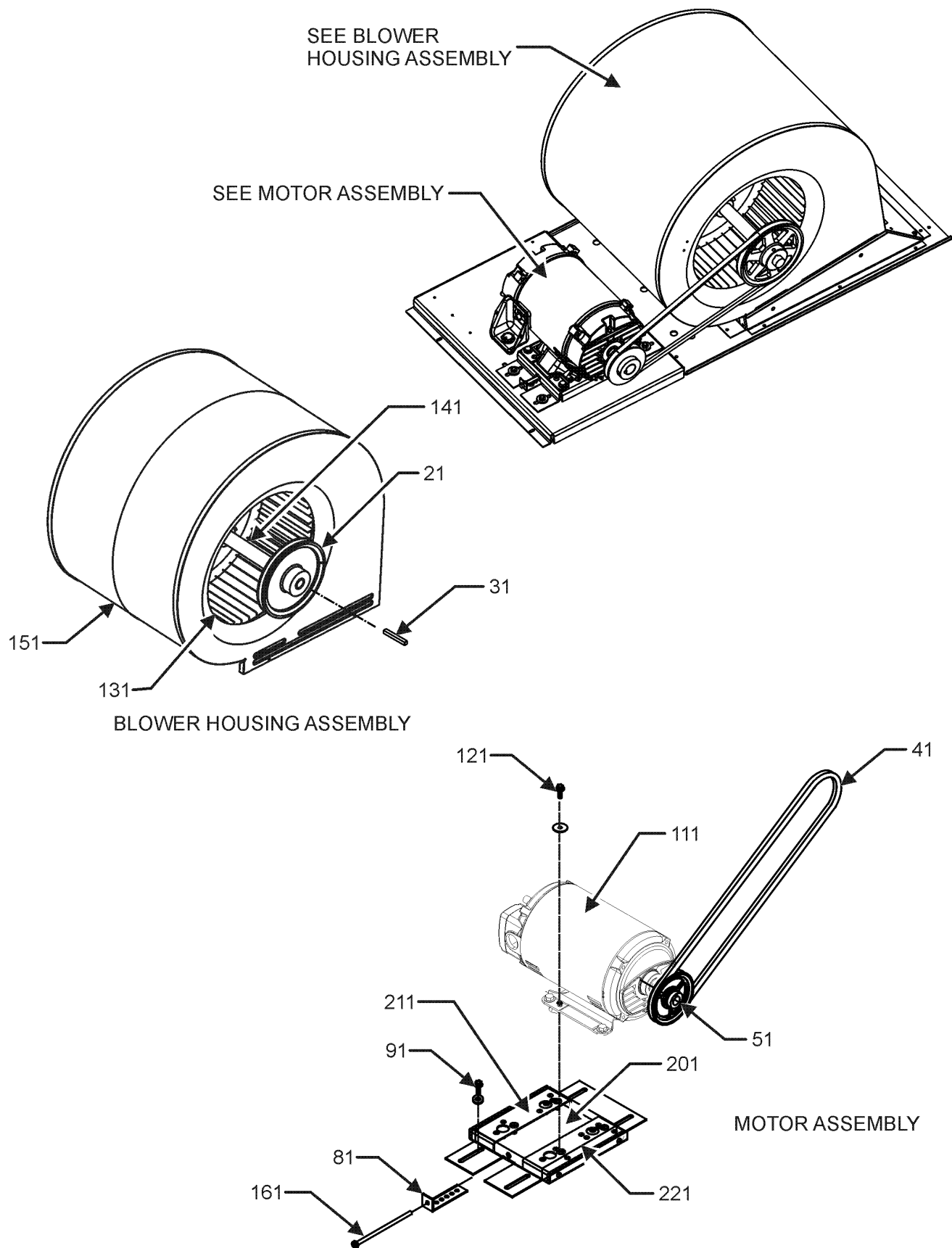
Partition, Evaporator, Condenser Assy

Ref. Part No:	Ref. Part No:	Description:	Description:
Image 1:			
11	0202L00086	EVAP COIL ASSY	
31	0121L00517	BLOCKOFF-EVAPORATOR, RET END	
41	0121L00845	EVAP EXTENSION-HAIRPIN SIDE	
51	0121L02099	FILTER ANGLE-VERTICAL (HAIRPIN SIDE)	
61	0121L00399	FILTER ANGLE-HORIZONTAL (QTY 2)	
71	0121L02099	FILTER ANGLE-VERTICAL (HAIRPIN SIDE)	
81	0121L01258	ANGLE-FILTER HORIZONTAL	
91	0201L00218	CONDENSER COIL ASSY, C1	
101	0201L00217	CONDENSER COIL ASSY, C2	
111	0121L02997	SUPPORT, PAN, DRAIN	
121	0130M00104	CONTROL, DEFROST	
131	0130M00103	CONTROL, DEFROST	
141	0161L00002	DRAIN PAN-EVAP 7 TO12	
151	0121L00374	DECK SIDE CHANNEL	
161	0121L00365	ELECTRIC HEAT PANEL	
171	0121L00168	BLOWER TRANSITION, RH END	
181	0121L00177	ELECTRIC HEAT COVER	
191	0121L00092	BLOWER TRANSITION, FRONT	
201	0121L03117	DECK, BLOWER	
211	0121L00169	BLOWER TRANSITION, LH END	
221	0121L00094	BLOWER TRANSITION, BACK	
231	0154L00009	DRAIN PAN GASKET	
241	ZP67KCETFD130	COMP, 67000,460/60/3 (M3)	
241	ZP67KCETF5130	COMP, 67500,200/230/60/3 (M1, M2, M4)	
241	0163L00071	PLUG, DRAIN	
261	M0221641	TF SHOULDER SCREW (QTY 8)	
271	B1339533	COMPRESSOR GROMMET (QTY 8)	
281	0121L02128	MOUNTING PLATE, COMP (QTY 2)	
291	0159L00066	Harness, comp scroll (M3)	
291	0159L00068	Harness, comp scroll (M1, M2, M4)	
291	0159L00069	Harness, comp scroll (M1, M2, M4)	
291	0159L00070	Harness, compm.pressor 460V (M3)	
311	0121L00369	BRACE-CONDENSER (QTY 2)	
NS	0160L00137	Air Filter 20x25x2 (QTY 4)	
NS	0121L01079	BLOCKOFF, CONTROL BOX	
NS	0121L01398	DECK, SUPPORT BLOWER (M1)	
NS	0121L01402	DECK, SUPPORT CONTROL (M1)	
NS	0121L00321	SMOKE DETECTOR COVER (QTY 2)	

Expanded Model Nomenclature

- | |
|------------------------|
| M1 - DCH150XXX3WV DXAB |
| M2 - DCH150XXX3WXXXAB |
| M3 - DCH150XXX4WXXXAB |
| M4 - DCH1500163WWXFAB |

Blower Assembly



Blower Assembly

Ref. Part No:	No:	Description:	Ref. Part No:	No:	Description:
---------------	-----	--------------	---------------	-----	--------------

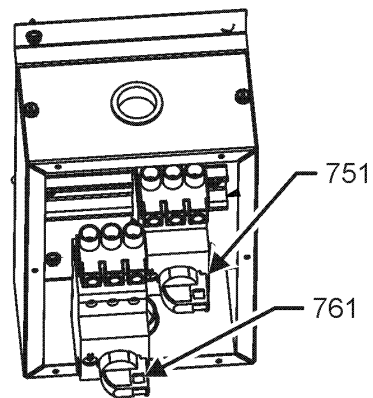
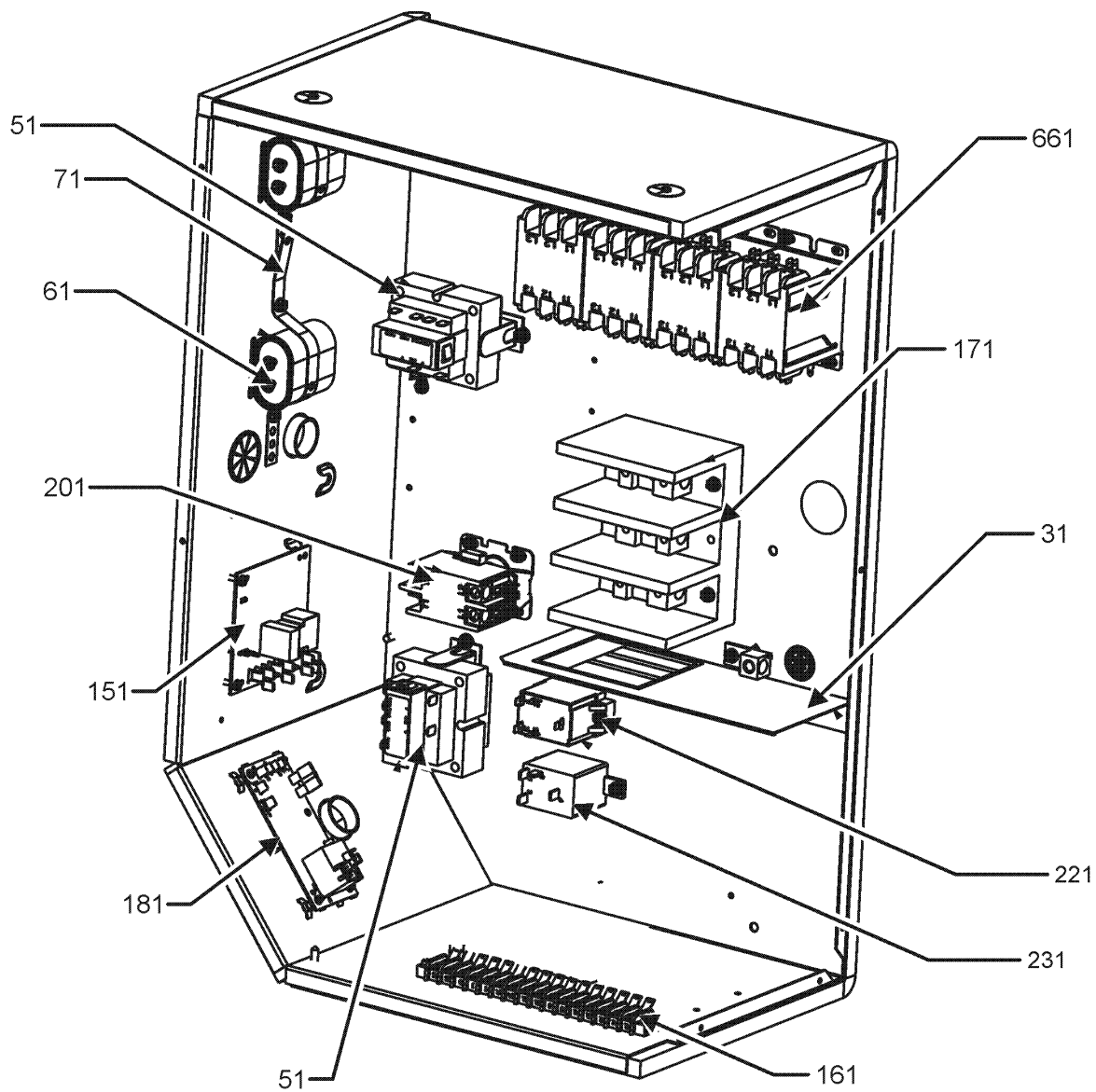
Image 1:

21	0163L00184	SHEAVE, FIXED AK89H
31	0163M00407	MACHINE KEY, SPECIAL
41	0164L00002	FAN BELT, NOTCHED (M3)
51	0163L00052	VP SHEAVE
71	0163M00045	BOLT 1/4-20 X 4"
81	3225000F	BELT TIGHTENER ANGLE
91	B1393738	BOLT, 1/4-20 X 3/4 (QTY 8)
111	0131L00073	MOTOR, 3PH, 5HP (M1, M2, M4)
111	0131L00074	MOTOR, 3PH, 5HP (M3)
121	B1446707	SCREW, 5/1618 X 1" (QTY 8)
131	03-78497	BLOWER WHEEL
141	04-11526	BLOWER SHAFT
151	04-01526	BLOWER HOUSING
161	0163M00045	BOLT, 1/4-20 X3/4
201	0121L01459	PLATE-MOTOR MOUNTING
211	0121L01460	ANGLE-MOTOR MOUNT, FRONT
221	0121L01461	ANGLE-MOTOR MOUNT, BACK
NS	04-02196	BEARING & FRAME ASSY
NS	0259L00160	HARNESS-BELT DRIVE 2 SP MOTOR
NS	B1393027	INSERT HEX NUT 5/16-18 (QTY 4)
NS	B1393553	SCREW,HWH,14X5/8,A,BZ,SLOT (QTY 6)
NS	B1392918	WASHER, FLAT 1/4 ID X 1OD (QTY 8)

Expanded Model Nomenclature

M1 - DCH150XXX3WVDXAB
M2 - DCH150XXX3WXXXAB
M3 - DCH150XXX4WXXXAB
M4 - DCH1500163WWXFAB

Control Box Assembly



CIRCUIT BREAKER CONTROL ASSEMBLY

Control Box Assembly

Ref. Part No:	Part No:	Description:	Ref. Part No:	Part No:	Description:
---------------	----------	--------------	---------------	----------	--------------

Image 1:

31	0121G00491	VOLTAGE BARRIER			
51	0130M00594	TRANSFORMER (M1, M2, M4)			
51	0130M00595	TRANSFORMER, 75VA, 480V TO 24V (M3)			
61	CAP100000370LA	CAPACITOR 10/370V (QTY 2)			
71	20520901	CAPACITOR STRAP (QTY 8)			
151	PCBDM101	DEFROST CONTROL BOARD			
161	0130M00038	TERMINAL BOARD			
171	0130M00042	BLOCK, POWER			
181	PCBFM103	ELECTRONIC BLOWER TIME DELAY			
201	CONT2P040024V	CONTACTOR 40 AMP, 2P, 24V			
221	10135604	RELAY (QTY 4)			
231	0130M00242	RELAY, 24V (QTY 3)			
661	CONT3P030024V	CONTACTOR 30 AMP, 3P, 24V (QTY 4)			
751	0130L00070	ROTARY MANUAL MOTOR PROTECTOR (M3)			
751	0130L00084	ROTARY MANUAL MOTOR PROTECTOR (M1, M2, M4)			
761	0130L00083	ROTARY MANUAL MOTOR PROTECTOR			
NS	0259L00153	2 SPEED CONTROL HARNESS			
NS	0259L00154	2 SPEED HP HARNESS			
NS	0259L00155	2 SPEED RELAY HARNESS			
NS	0259L00161	CIRCUIT BREAKER HARNESS			
NS	0259L00303	COND FAN/TRANSFORMER HARNESS			
NS	0259L00159	DEFROST BOARD HARNESS			
NS	0259L00157	DEFROST RELAY HARNESS			
NS	0259L00165	ECONOMIZER HARNESS			
NS	0259L00511	HARNESS COND MOTOR			
NS	0259L00512	HARNESS COND MOTOR			
NS	0259L00160	HARNESS-BELT DRIVE 2 SP MOTOR			
NS	0259L00032	LCM HARNESS, ELECTRIC HEAT			
NS	0259L00502	WIRE HARNESS			
NS	0259L00148	WIRE HARNESS ASSY			
NS	0259L00149	WIRE HARNESS ASSY			
NS	0259L00150	WIRE HARNESS ASSY			
NS	0259L00151	WIRE HARNESS ASSY			
NS	0259L00152	WIRE HARNESS ASSY			
NS	0259L00156	WIRE HARNESS ASSY			
NS	0259L00158	WIRE HARNESS ASSY			

Expanded Model Nomenclature

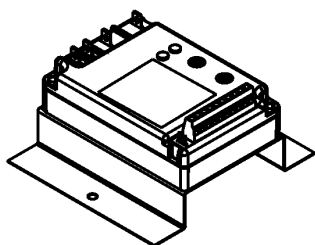
M1 - DCH150XXX3WV DXAB
M2 - DCH150XXX3WXXXAB
M3 - DCH150XXX4WXXXAB
M4 - DCH1500163WWXFAB

Accessory Parts List

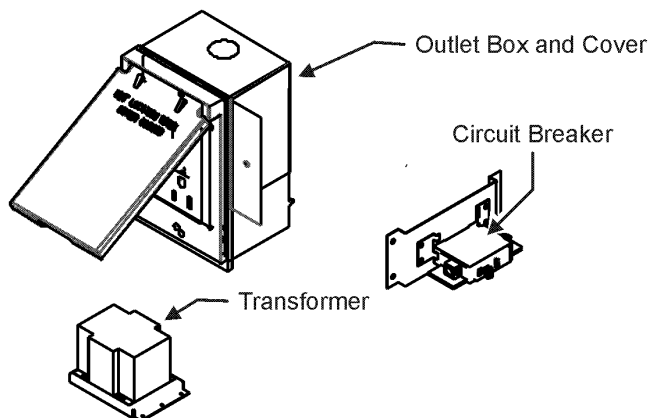
ACCESSORY PARTS LIST

NOTE: NOT ALL OPTIONS AVAILABLE FOR ALL PRODUCTS

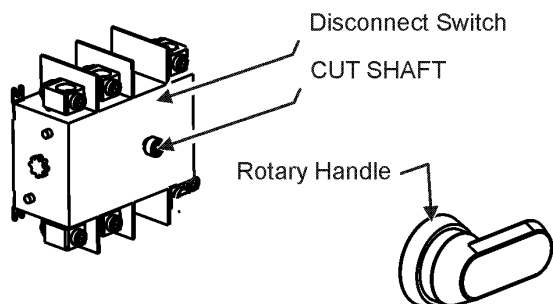
1 LOW AMBIENT KITS



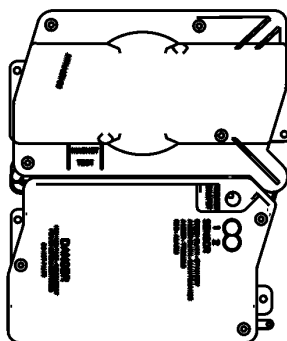
2 GFCI CONVENIENCE OUTLET



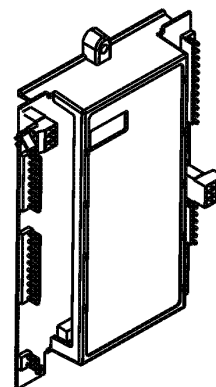
3 DISCONNECT MODULE (NON-FUSED)



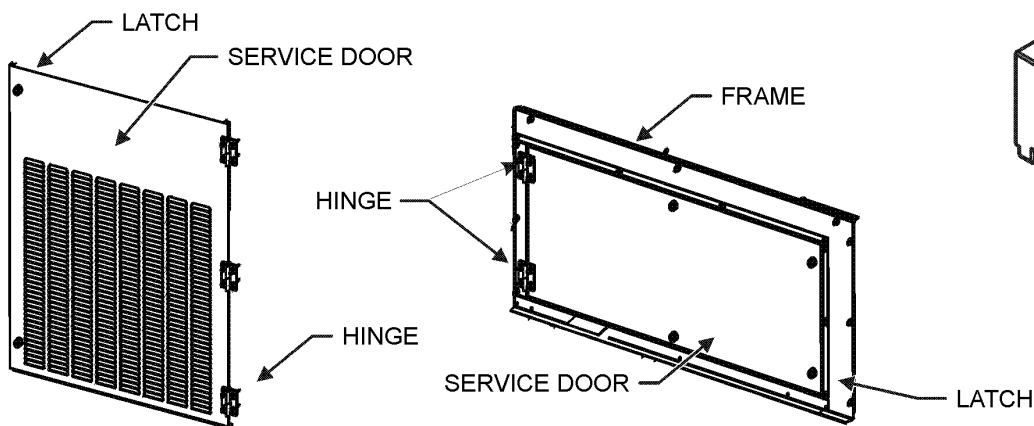
4 SMOKE DETECTORS



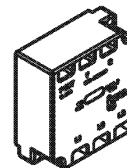
5 DDC CONTROL



6 HINGED DOOR ASSEMBLIES



7 PHASE MONITOR



Accessory Parts List

Ref. Part No:	Ref. Part No:	Description:	Description:
---------------	---------------	--------------	--------------

Image 1:

NS EHK3-16	15 KW 208-230/3 ELECTRIC HEAT (M4)
NS DDNECNJ90150B	7.5-12.5 TON DFLOW ECON (M1, M4)
NS 0121L00316	BRACKET-CONV OUTLET MOUNT (M4)
NS 0121L00973NG	DISCONNECT SWITCH COVER (M4)
NS 0121L01414NG	DOOR FRAME, BLOWER (M1)
NS 0121L01417NG	DOOR FRAME, CONTROL (M1)
NS 0121L02483NG	DOOR, SERVICE, BACK, BLOWER (M1)
NS 0121L02482NG	DOOR, SERVICE, FRONT, BLOWER (M1)
NS 0130L00012	GANG BOX-GFCI OUTLET (M4)
NS 0130L00039	HANDLE, ROTARY (M4)
NS 0163M00307	HINGE, LEFT HAND (M1)
NS 0163M00308	HINGE, RIGHT HAND (M1)
NS 0163M00322	LATCH (M1)
NS 0130M00059	LOW AMBIENT KIT (M4)
NS 0121L02221NG	PNT, DOOR FRAME, FILTER (M1)
NS 0121L02222NG	PNT, SERVICE DOOR BACK FILTER (M1)
NS 0121L02219NG	PNT, SERVICE DOOR FRONT FILTER (M1)
NS 0161G00012	POWER OUTLET BOX (M4)
NS 0130L00103	RECEPTACLE-GFCI OUTLET (M4)
NS 0121L01416NG	SERVICE DOOR BACK, CONTROL (M1)
NS 0121L01415NG	SERVICE DOOR FRONT,CONTROL (M1)
NS 0130L00043	SHAFT, CUT (M4)
NS 0130L00049	SHAFT, DISCONNECT (M4)
NS 0130L00033	SWITCH-DISCONNECT 200A (M4)

Expanded Model Nomenclature

- | |
|------------------------|
| M1 - DCH150XXX3WV DXAB |
| M2 - DCH150XXX3WXXXAB |
| M3 - DCH150XXX4WXXXAB |
| M4 - DCH1500163WWXFAB |