

Commercial 10 Ton Package Heat Pump Unit

DCH1200163VHXJAA
DCH1200163VHXXAA
DCH1200163VVDXAA
DCH1200164VXMCAB
DCH1200303VHBAAA
DCH1200303VHDXAA
DCH1200303VVDXAA
DCH1200303VWBJAA
DCH1200453VMMMAA
DCH1200453VXXXAA
DCH1200454VHDMAB
DCH120XXX3V1DDAA
DCH120XXX3V3PDAA
DCH120XXX3VHDDAA
DCH120XXX3VVDDAA
DCH120XXX3VWBHAA
DCH120XXX3VWXDAA
DCH120XXX3VXXXAA
DCH120XXX3VXXZAA
DCH120XXX4V2PDAB
DCH120XXX4VFXAB
DCH120XXX4VHXBAB
DCH120XXX4VXXXAA
DCH120XXX4VXXXAB
DCH120XXX7VXXXAA
DCH120XXX7VXXXAB



This manual is to be used by qualified technicians only.

This manual replaces RP-D1037L.

Important Information

Index

Functional Parts List	3
Illustration and Parts	4 - 15

Views shown are for parts illustrations only, not servicing procedures

Text Codes:

AR - As Required

NA - Not Available

NS - Not Shown

00000000 - See Note

QTY - Quantity Example (QTY 3) (If Quantity not shown, Quantity = 1)

M - Model Example (M1) (If M Code not shown, then part is used on all Models)

Expanded Model Nomenclature:

Example M1 - Model#1 M2 - Model#2 M3 - Model#3

Daikin Company, L.P. is not responsible for personal injury or property damage resulting from improper service. Review all service information before beginning repairs.

Warranty service must be performed by an authorized technician, using authorized factory parts. If service is required after the warranty expires, Daikin Company, L.P. also recommends contacting an authorized technician and using authorized factory parts.

Daikin Company, L.P. reserves the right to discontinue, or change at any time, specifications or designs without notice or without incurring obligations.

For assistance within the U.S.A. contact:

Equipment Support
Daikin North America, LLC
19001 Kermier Road
Waller, Texas 77484
855-770-5678-Telephone
713-863-2382-Facsimile

For assistance outside the U.S.A. contact:

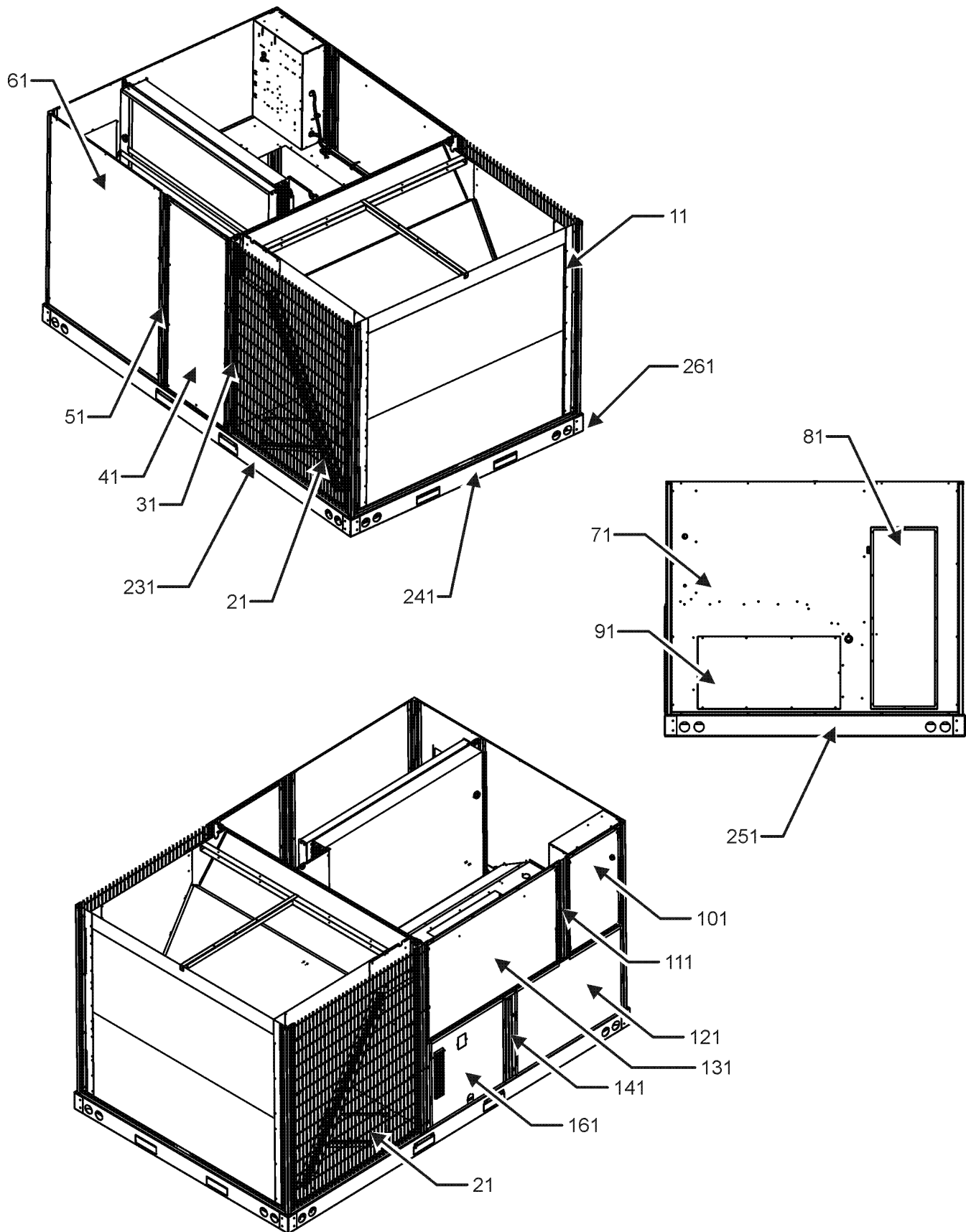
International Division
Daikin North America, LLC
19001 Kermier Road
Waller, Texas 77484
713-861-2500-Telephone
713-863-2382-Facsimile

Functional Parts

Part No: **Description:**

Part No:	Description:	Expanded Model Nomenclature
0130M00242	24V RELAY (QTY 3)	M1 - DCH120XXX3VHDDAA
CAP100000370LA	CAPACITOR 10/370V (M1, M2, M3, M4, M5, M6, M7, M8, M9, M10, M12, M13, M16, M17, M18, M19, M20, M21, M22, M23, M24, M25, M26)	M2 - DCH120XXX3VVDDAA
CAP050000370LA	CAPACITOR 5/370V (M11, M14)	M3 - DCH120XXX3VVBHAA
CAP050000440LA	CAPACITOR 5/440V (M15)	M4 - DCH120XXX3VWXDAA
ZP51K5ETFE130	COMP, 5100, 575/60/3 (M14, M15)	M5 - DCH120XXX3VXXXAA
ZP51K5ETF5130	COMP, 51000, 208/230/60/3 (M1, M2, M3, M4, M5, M6, M7, M8, M16, M17, M18, M20, M21, M22, M23, M24, M25)	M6 - DCH120XXX3VXXZAA
ZP51K5ETFD130	COMP, 51000, 460/60/3 (M9, M10, M11, M12, M13, M19, M26)	M7 - DCH120XXX3V1DDAA
0131M00430	COND MOTOR 1/3 HP, 1 SP, 6 PL (M1, M2, M3, M4, M5, M6, M7, M8, M16, M17, M18, M20, M21, M22, M23, M24, M25)	M8 - DCH120XXX3V3PDAA
B13400249	COND MOTOR 1/3 HP, 460V (M11)	M9 - DCH120XXX4VFXXAB
0131M00179	COND MOTOR 1/3 HP, 6 PL, 575V (M14)	M10 - DCH120XXX4VHXBAB
CONT3P025024V	CONTACTOR 25 AMP, 3P, 24V (QTY 4)	M11 - DCH120XXX4VXXXAA
CONT2P040024V	CONTACTOR 40 AMP, 2P, 24V	M12 - DCH120XXX4VXXXAB
0130M00103	CONTROL, DEFROST	M13 - DCH120XXX4V2PDAB
0130M00102	CONTROL, DEFROST	M14 - DCH120XXX7VXXXAA
0130M00031	CUT-OUT SWITCH, HIGH PRESSURE	M15 - DCH120XXX7VXXXAB
0130M00030	CUT-OUT SWITCH, HIGH PRESSURE	M16 - DCH1200163VHXJAA
0130L00002	CUT-OUT SWITCH, LOW PRESSURE (M11)	M17 - DCH1200163VHXAA
0130L00003	CUT-OUT SWITCH, LOW PRESSURE (M1, M2, M3, M4, M5, M6, M7, M8, M9, M10, M12, M13, M14, M15, M16, M17, M18, M19, M20, M21, M22, M23, M24, M25, M26)	M18 - DCH1200163VVDXAA
0164L00017	FAN BELT, NOTCHED	M19 - DCH1200164VXMCAB
0131M00858	MOTOR, 1/3 HP, OD (M15)	M20 - DCH1200303VHBAAA
0131M00774	MOTOR, 1/3 HP, OD (M9, M10, M12, M13)	M21 - DCH1200303VHDAAA
0131L00023	MOTOR, 2 HP BELT DRIVE 230V (M1, M2, M3, M4, M5, M6, M7, M8, M16, M17, M18, M20, M21, M22, M23, M24, M25)	M22 - DCH1200303VVDXAA
0131L00029	MOTOR, 2 HP BELT DRIVE 460 V (M9, M10, M11, M12, M13, M19, M26)	M23 - DCH1200303VWBJAA
0131L00026	MOTOR, 2 HP BELT DRIVE 575 V (M14, M15)	M24 - DCH1200453VMMMAA
PCBDM101	PCB, DEFROST CONTROL	M25 - DCH1200453VXXXAA
PCBFM103	PCB, TIME DELAY, EBTDR	M26 - DCH1200454VHDMAB
10135604	RELAY (QTY 4)	
0151R00071	REVERSING VALVE	
B1225022	SOLENOID COIL	
0130M00038	TERMINAL STRIP	
0130M00594	TRANSFORMER (M1, M2, M3, M4, M5, M6, M7, M8, M16, M17, M18, M20, M21, M22, M23, M24, M25)	
0130M00595	TRANSFORMER, 75VA, 480V TO 24V (M9, M10, M11, M12, M13, M19, M26)	
0130M00598	TRANSFORMER, 75VA, 575V TO 24V (M14, M15)	

Cabinet Assembly



Cabinet Assembly

Ref. Part No:	Ref. Part No:	Description:	Description:
Image 1:		Expanded Model Nomenclature	
11	0121L00065RFNG	CORNER POST (QTY 3)	M1 - DCH120XXX3VHDDAA
11	0121L01407RFNG	CORNER POST (M1, M2, M7, M8, M13, M18, M19, M21, M22, M24, M26)	M2 - DCH120XXX3VDDAA
21	0121L00511NG	LOUVERED SIDE PANEL (QTY 2)	M3 - DCH120XXX3VWBHAA
31	0121L00738RFNG	SIDE POST (M3, M4, M5, M6, M9, M10, M11, M12, M14, M15, M16, M17, M20, M23, M25)	M4 - DCH120XXX3VWXDAA
31	0121L01400RFNG	SIDE POST (M1, M2, M7, M8, M13, M18, M19, M21, M22, M24, M26)	M5 - DCH120XXX3VXXXAA
41	0121L00737NG	FILTER DOOR	M6 - DCH120XXX3VXXZAA
51	0121L00739RFNG	FILTER DOOR POST (M3, M4, M5, M6, M9, M10, M11, M12, M14, M15, M16, M17, M20, M23, M25)	M7 - DCH120XXX3V1DDAA
51	0121L01432RFNG	FILTER DOOR POST (M1, M2, M7, M8, M13, M18, M19, M21, M22, M24, M26)	M8 - DCH120XXX3V3PDAA
61	0121L00510NG	ECONOMIZER DOOR (M1, M5, M6, M7, M8, M10, M11, M12, M14, M15, M16, M17, M19, M20, M21, M24, M25, M26)	M9 - DCH120XXX4VFXBAB
71	0121L01364NG	DUCT PANEL (M2, M5, M6, M8, M9, M11, M12, M13, M14, M15, M18, M19, M22, M25)	M10 - DCH120XXX4VHXBAB
71	0121L01365NG	DUCT PANEL (M1, M4, M7, M17, M21)	M11 - DCH120XXX4VXXXAA
71	0121L01366NG	DUCT PANEL (M3, M10, M16, M20, M23, M26)	M12 - DCH120XXX4VXXXAB
71	0121L01368NG	DUCT PANEL (M24)	M13 - DCH120XXX4V2PDAB
81	0121L00082NG	RETURN DUCT COVER	M14 - DCH120XXX7VXXXAA
91	0121L00099NG	SUPPLY DUCT COVER	M15 - DCH120XXX7VXXXAB
101	0121L00974NG	CONTROL DOOR	M16 - DCH1200163VHXJAA
111	0121L02517RFNG	RF, CONTROL POST HINGED (M1, M2, M7, M8, M13, M18, M19, M21, M22, M24, M26)	M17 - DCH1200163VHXXAA
111	0121L02303RFNG	RF, PAINTED CONTROL POST (M3, M4, M5, M6, M9, M10, M11, M12, M14, M15, M16, M17, M20, M23, M25)	M18 - DCH1200163VVDXAA
121	0121L00767NG	ELECTRIC HEAT DOOR	M19 - DCH1200164VXMCAB
131	0121L00763NG	BLOWER DOOR	M20 - DCH1200303VHBAAA
141	0121L00765RFNG	BURNER BOX POST	M21 - DCH1200303VHDXAA
161	0121L00828NG	BURNER AREA DOOR	M22 - DCH1200303VVDXAA
231	0121L01099RF	RAIL, BASE SIDES RF (QTY 2)	M23 - DCH1200303VWBJAA
241	0121L00834RF	RAIL-BASE COND END	M24 - DCH1200453VMMMAA
251	0121L00071RF	RAIL, BASE DUCT END	M25 - DCH1200453VXXXAA
261	0121G00301	RAIL CORNER BRACKET (QTY 4)	M26 - DCH1200454VHDMAB
NS	0121L00055	BRACKET-FORK BOARD (QTY 4)	
NS	0121L00727	ECONOMIZER COVER (M2, M3, M4, M13, M18, M22, M23)	
NS	0121L01310	ECONOMIZER COVER (M9)	
NS	0141L00006X	FORK BOARD (QTY 2)	
NS	0164L00009	GASKET-RUBBER, CPOST (QTY 3)	
NS	0164L00011	GASKET-RUBBER, SIDE POST (QTY 5)	

Top Panel and Tubing Assembly

IMAGE 1

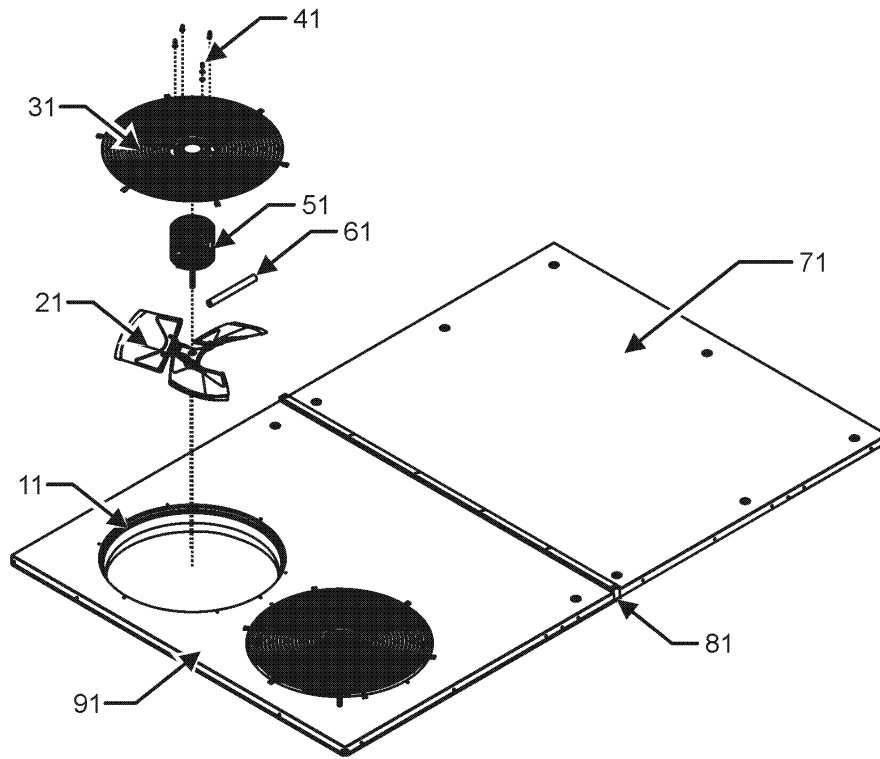
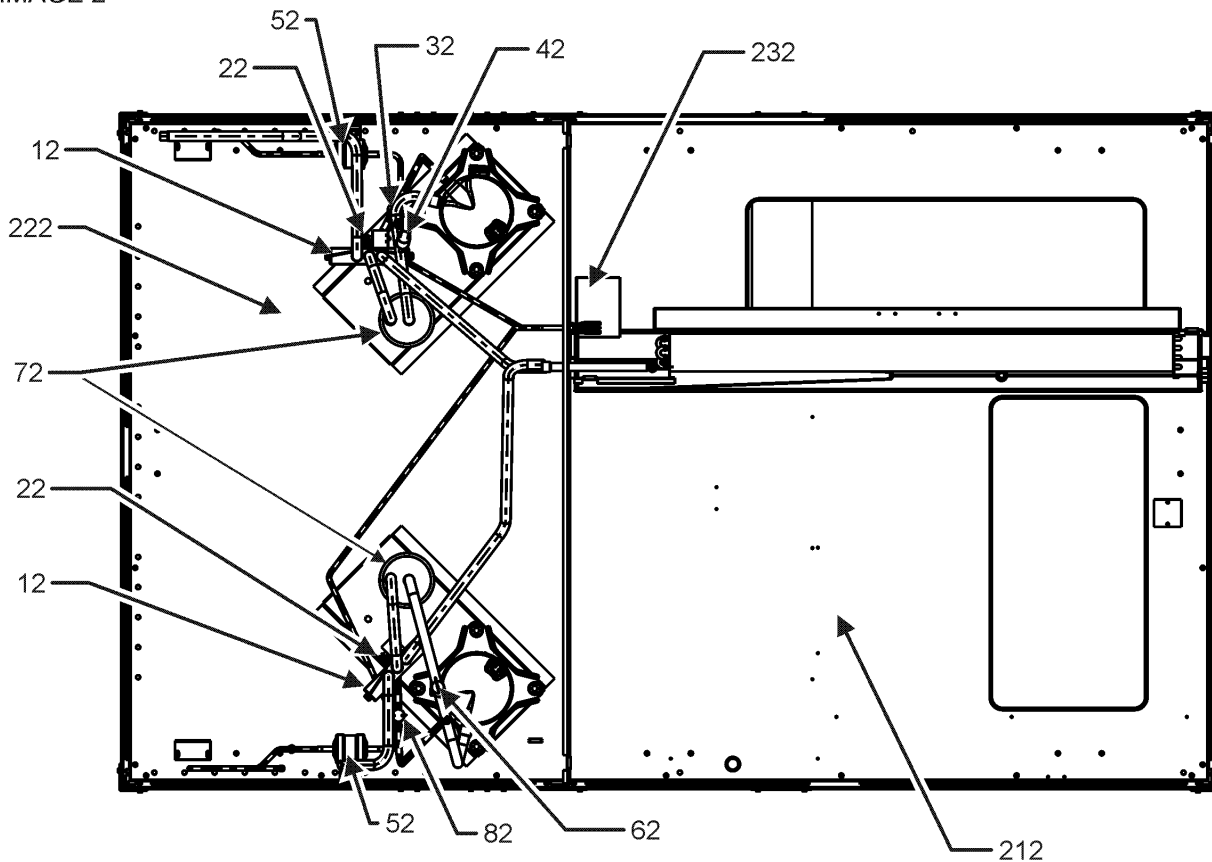


IMAGE 2



Top Panel and Tubing Assembly

Ref. Part No: No:	Description:	Ref. Part No: No:	Description:
-------------------	--------------	-------------------	--------------

Image 1:

11	0161L00000	VENTURI RING 22" (QTY 2)
21	10625733	FAN BLADE 22" ALUM CCW (QTY 2)
31	0152G00003	FAN GRILLE (M11, M14)
31	0152G00000	FAN GRILLE, RAISED (M1, M2, M3, M4, M5, M6, M7, M8, M9, M10, M12, M13, M15, M16, M17, M18, M19, M20, M21, M22, M23, M24, M25, M26)
41	0163M00006P	ACORN NUT 5/16 HEX BLACK (QTY 8)
51	0131M00430	COND MOTOR 1/3 HP, 1 SP, 6 PL (M1, M2, M3, M4, M5, M6, M7, M8, M16, M17, M18, M20, M21, M22, M23, M24, M25)
51	B13400249	COND MOTOR 1/3 HP, 460V (M11)
51	0131M00179	COND MOTOR 1/3 HP, 6 PL, 575V (M14)
51	0131M00774	MOTOR, 1/3 HP, OD (M9, M10, M12, M13)
51	0131M00858	MOTOR, 1/3 HP, OD (M15)
51	0131L00065	MOTOR, COND, 1/3 HP, 460V (M19, M26)
61	0161R00003P	CONDUIT (M1, M2, M3, M4, M5, M6, M7, M8, M9, M10, M12, M13, M15, M16, M17, M18, M19, M20, M21, M22, M23, M24, M25, M26)
61	0163M00386	CONDUIT-FLEXIBLE (M11, M14)
71	0121L00497NG	EVAP TOP PANEL (M11, M14)
71	0121L01119NG	PAINTED TOP PANEL INDOOR (M1, M2, M3, M4, M5, M6, M7, M8, M9, M10, M12, M13, M15, M16, M17, M18, M19, M20, M21, M22, M23, M24, M25, M26)
81	20455902	SPLICE GASKET .50 X .25 (QTY 8)
91	0121L01105NG	COND TOP PANEL (M11, M14)
91	0121L01118NG	PAINTED TOP PANEL OUTDOOR (M1, M2, M3, M4, M5, M6, M7, M8, M9, M10, M12, M13, M15, M16, M17, M18, M19, M20, M21, M22, M23, M24, M25, M26)
NS	0163M00175	CAP WITH O-RING (M7, M8, M13)
NS	0259L00511	HARNESS COND MOTOR (M1, M2, M3, M4, M5, M6, M7, M8, M9, M10, M12, M13, M14, M15, M16, M17, M18, M19, M20, M21, M22, M23, M24, M25, M26)
NS	0259L00512	HARNESS COND MOTOR (M1, M2, M3, M4, M5, M6, M7, M8, M9, M10, M12, M13, M14, M15, M16, M17, M18, M19, M20, M21, M22, M23, M24, M25, M26)
NS	0259L00026	HARNESS-COND MOTOR 7.5 T 460V (M11)
NS	0259L00028	HARNESS-COND MOTOR 7.5 T 460V (M11)
NS	0163M00004	SCREW #10X3/4", BLACK (QTY 12)
NS	0163M00005P	WASHER, BLACK (.50 OD .218ID) (QTY 8)

Image 2:

12	0151R00071	REVERSING VALVE
22	B1225022	SOLENOID COIL
32	0130M00031	CUT-OUT SWITCH, HIGH PRESSURE
42	0130L00003	CUT-OUT SWITCH, LOW PRESSURE (M1, M2, M3, M4, M5, M6, M7, M8, M9, M10, M12, M13, M14, M15, M16, M17, M18, M19, M20, M21, M22, M23, M24, M25, M26)
52	B1219204	BI-FLOW FILTER DRIER
62	0130L00002	CUT-OUT SWITCH, LOW PRESSURE (M11)
62	0130L00003	CUT-OUT SWITCH, LOW PRESSURE (M1, M2, M3, M4, M5, M6, M7, M8, M9, M10, M12, M13, M14, M15, M16, M17, M18, M19, M20, M21, M22, M23, M24, M25, M26)

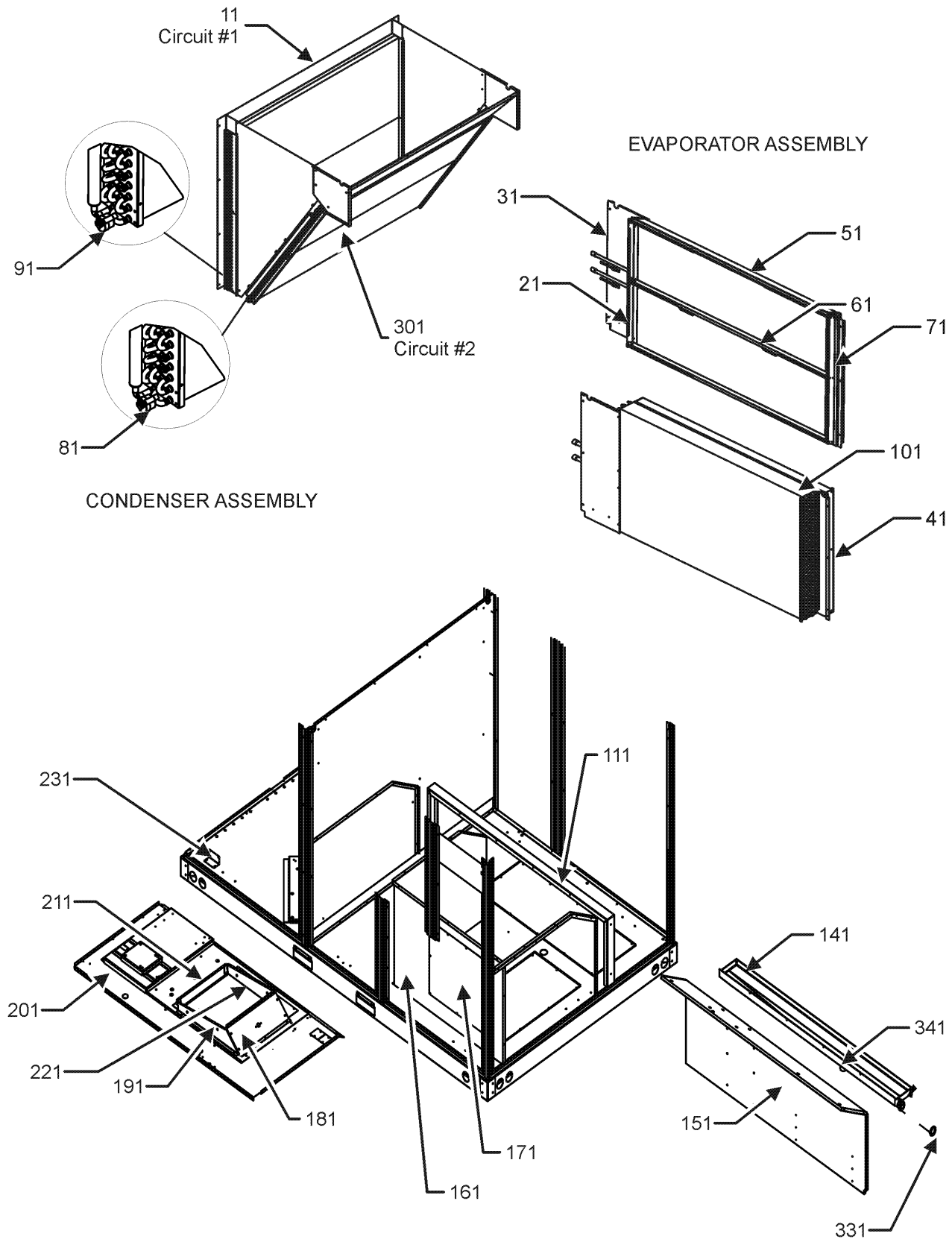
Image 2:

72	B1226207	ACCUMULATOR .875 (QTY 2)
82	0130M00030	CUT-OUT SWITCH, HIGH PRESSURE
212	0121L02129	BASE PAN, OUTDOOR
222	0121L00944	BASE PAN-INDOOR
232	0121L00359	SHIELD-EVAPORATOR DRIP
NS	B1373315	ACCESS FITTING (QTY 4)

Expanded Model Nomenclature

M1 - DCH120XXX3VHDDAA
M2 - DCH120XXX3VDDAA
M3 - DCH120XXX3VWBHAA
M4 - DCH120XXX3VWXDAA
M5 - DCH120XXX3VXXXAA
M6 - DCH120XXX3VXXZAA
M7 - DCH120XXX3V1DDAA
M8 - DCH120XXX3V3PDAA
M9 - DCH120XXX4VFXAB
M10 - DCH120XXX4VHXBAB
M11 - DCH120XXX4VXXXAA
M12 - DCH120XXX4VXXXAB
M13 - DCH120XXX4V2PDAB
M14 - DCH120XXX7VXXXAA
M15 - DCH120XXX7VXXXAB
M16 - DCH1200163VHXJAA
M17 - DCH1200163VHXAAA
M18 - DCH1200163VVDXAA
M19 - DCH1200164VXMCAB
M20 - DCH1200303VHBAAA
M21 - DCH1200303VHDAAA
M22 - DCH1200303VVDXAA
M23 - DCH1200303VWBAAA
M24 - DCH1200453VMMMAA
M25 - DCH1200453VXXXAA
M26 - DCH1200454VHDMAB

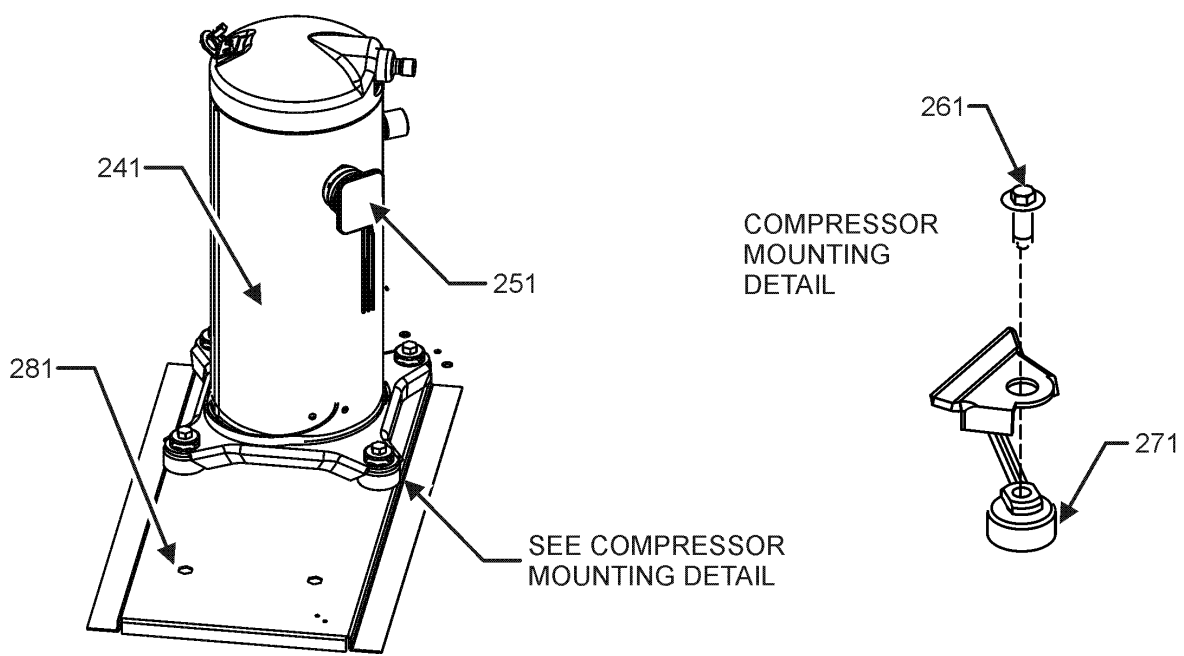
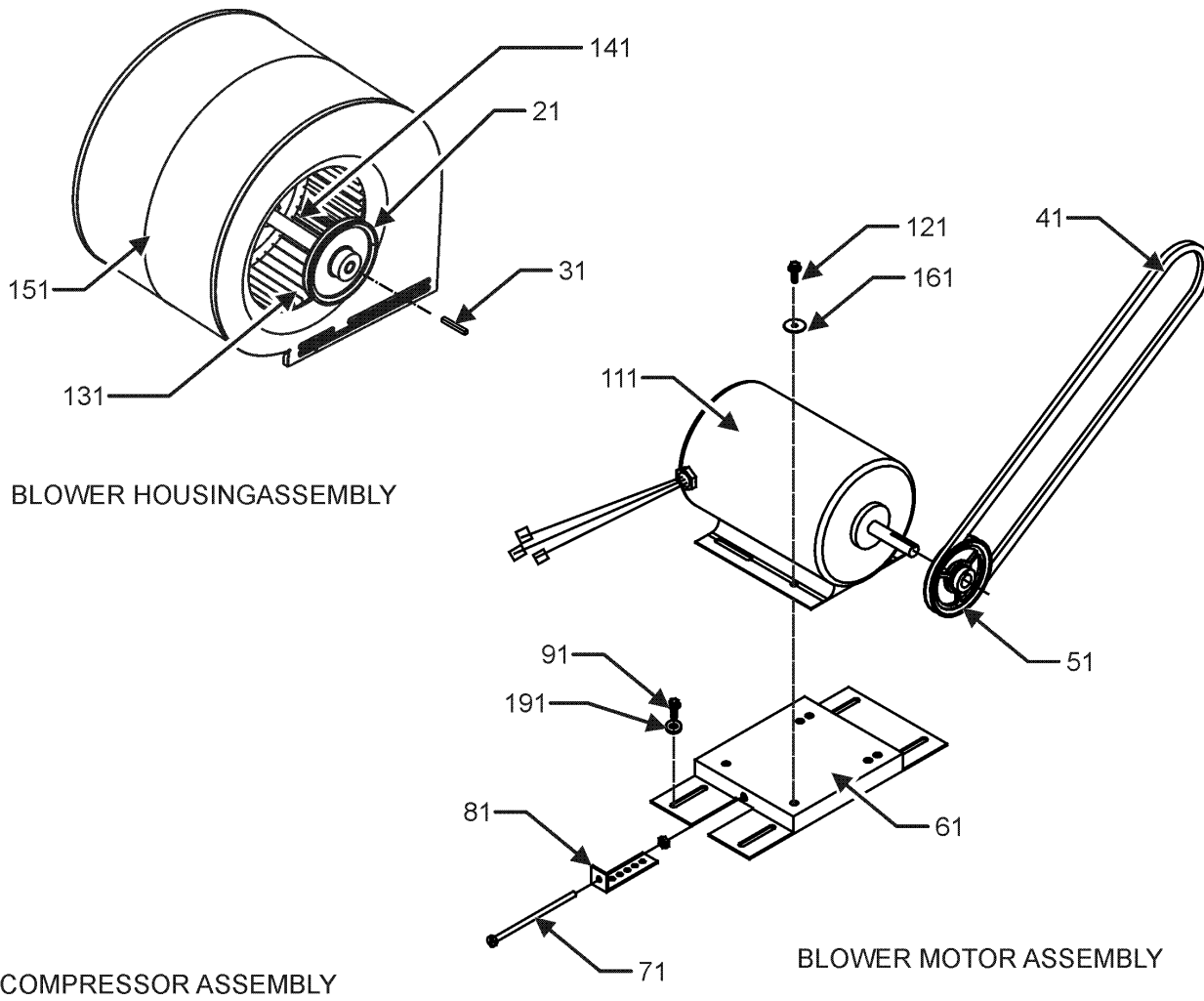
Partition, Evaporator & Condenser Assy



Partition, Evaporator & Condenser Assy

Ref. Part No: No:	Description:	Ref. Part No: No:	Description:
Image 1:		Expanded Model Nomenclature	
11	0201L00015 TUBING ASSY, COND COIL	M1	DCH120XXX3VHDDAA
21	0121L00650 FILTER ANGLE-VERTICAL (RETURN SIDE)	M2	DCH120XXX3VVDAA
31	0121L00210 EVAP EXTENSION-RETURN SIDE	M3	DCH120XXX3VWBHAA
41	0121L00843 EXTENSION-EVAP HPIN	M4	DCH120XXX3VWXDAA
51	0121L00649 FILTER ANGLE - HORIZONTAL (QTY 2)	M5	DCH120XXX3VXXXAA
61	0121L01257 ANGLE, FILTER VERTICAL	M6	DCH120XXX3VXXZAA
71	0121L00358 FILTER ANGLE-VERTICAL (HAIRPIN SIDE)	M7	DCH120XXX3V1DDAA
81	0130M00102 CONTROL, DEFROST	M8	DCH120XXX3V3PDAA
91	0130M00103 CONTROL, DEFROST	M9	DCH120XXX4VFXBAB
101	0202L00007 TUBING ASSY, EVAP COIL	M10	DCH120XXX4VHXBAB
111	0121L02984 SUPPORT, PAN, DRAIN	M11	DCH120XXX4VXXXAA
141	0161L00002 DRAIN PAN	M12	DCH120XXX4VXXXAB
151	0121L00374 DECK SIDE CHANNEL	M13	DCH120XXX4V2PDAB
161	0121L00365 ELECTRIC HEAT PANEL	M14	DCH120XXX7VXXXAA
171	0121L00177 ELECTRIC HEAT COVER	M15	DCH120XXX7VXXXAB
181	0121L00168 BLOWER TRANSITION, RH END	M16	DCH1200163VHXJAA
191	0121L00092 BLOWER TRANSITION, FRONT	M17	DCH1200163VHXXAA
201	0121L03117 DECK-BLOWER	M18	DCH1200163VVDXAA
211	0121L00169 BLOWER TRANSITION, LH END	M19	DCH1200164VXMCAB
221	0121L00094 BLOWER TRANSITION, BACK	M20	DCH1200303VHBAAA
231	0121L00513 BRACE-CONDENSER (QTY 2)	M21	DCH1200303VHDXAA
301	0201L00016 TUBING ASSY, COND COIL	M22	DCH1200303VVDXAA
331	0154L00009 GASKET-DRAIN PAN	M23	DCH1200303VWBJAA
341	0163L00071 DRAIN PLUG	M24	DCH1200453VMMMAA
NS	0121L01398 DECK, SUPPORT BLOWER (M1, M2, M7, M8, M13, M18, M19, M21, M22, M24, M26)	M25	DCH1200453VXXXAA
NS	0121L01402 DECK, SUPPORT CONTROL (M1, M2, M7, M8, M13, M18, M19, M21, M22, M24, M26)	M26	DCH1200454VHDMAB
NS	0121L00321 SMOKE DETECTOR COVER		

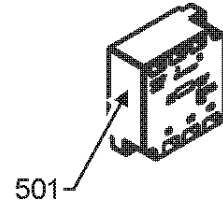
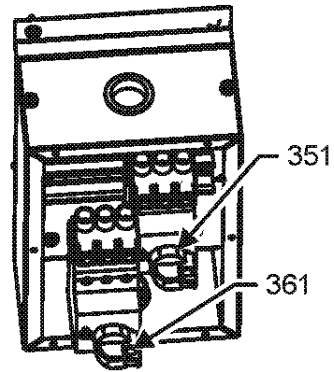
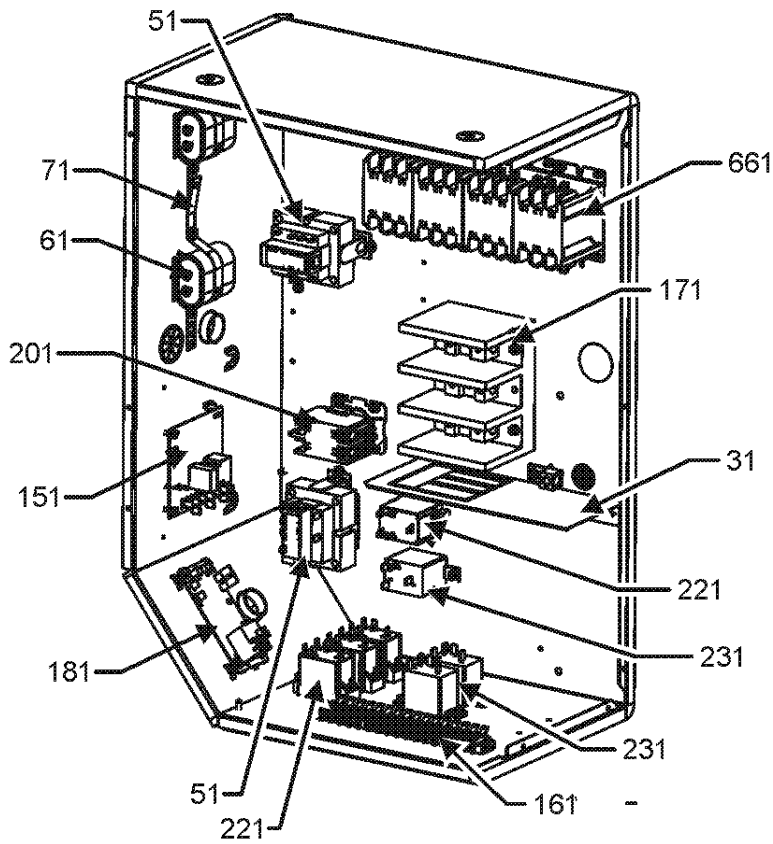
Blower and Compressor Assembly



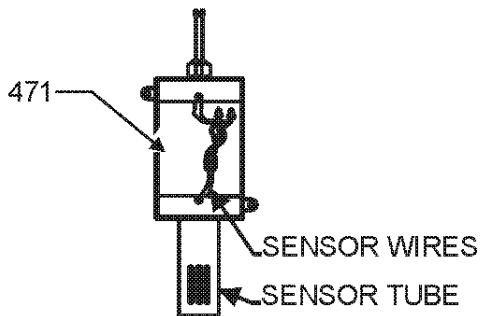
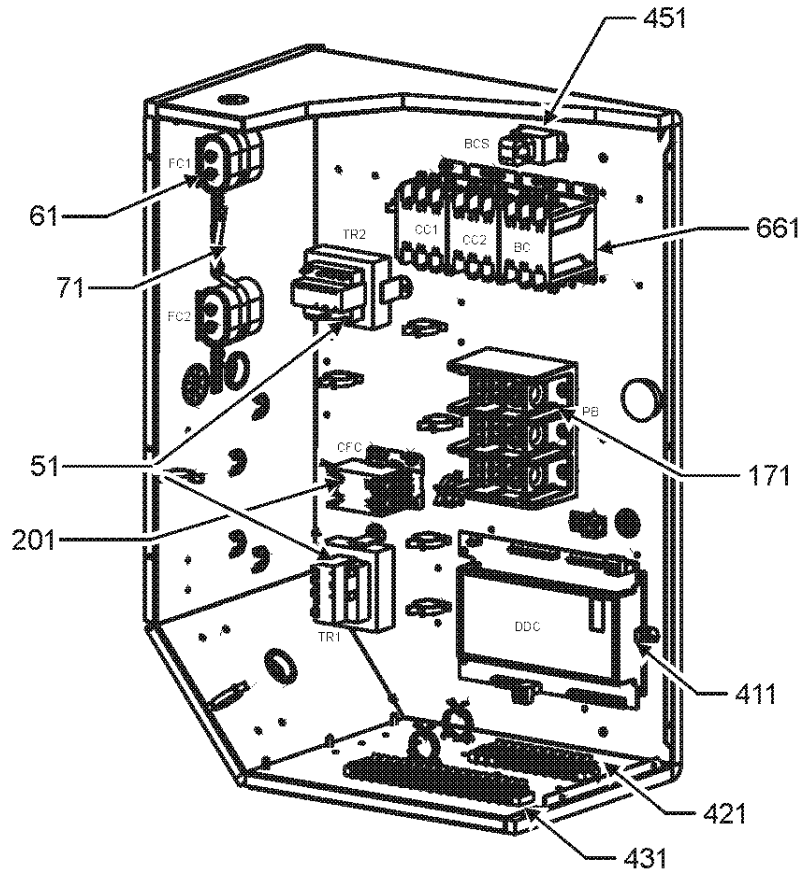
Blower and Compressor Assembly

Ref. Part No:	No:	Description:	Ref. Part No:	No:	Description:
Image 1:			Expanded Model Nomenclature		
21	0163L00134	SHEAVE, FIXED AK74H	M1	-	DCH120XXX3VHDDAA
31	0163M00407	MACHINE KEY, SPECIAL	M2	-	DCH120XXX3VDDAA
41	0164L00017	FAN BELT, NOTCHED	M3	-	DCH120XXX3VWBHAA
51	0163L00012	VARIABLE PITCH SHEAVE VL40	M4	-	DCH120XXX3VWXDAA
61	0121L03460	BASE, MOTOR	M5	-	DCH120XXX3VXXXAA
71	0163M00045	BOLT 1/4-20 X 4"	M6	-	DCH120XXX3VXXZAA
81	3225000F	BELT TIGHTENER ANGLE	M7	-	DCH120XXX3V1DDAA
91	B1446707	SCREW 5/16-18 X 1" (QTY 4)	M8	-	DCH120XXX3V3PDAA
111	0131L00023	MOTOR, 2 HP BELT DRIVE 230V (M1, M2, M3, M4, M5, M6, M7, M8, M16, M17, M18, M20, M21, M22, M23, M24, M25)	M9	-	DCH120XXX4VFXAB
111	0131L00029	MOTOR, 2 HP BELT DRIVE 460 V (M9, M10, M11, M12, M13, M19, M26)	M10	-	DCH120XXX4VHXBAB
111	0131L00026	MOTOR, 2 HP BELT DRIVE 575 V (M14, M15)	M11	-	DCH120XXX4VXXXAA
121	B1393738	BOLT 1/4-20 X 3/4" (QTY 8)	M12	-	DCH120XXX4VXXXAB
131	03-78497	BLOWER WHEEL	M13	-	DCH120XXX4V2PDAB
141	04-11526	BLOWER SHAFT	M14	-	DCH120XXX7VXXXAA
151	04-01526	BLOWER HOUSING	M15	-	DCH120XXX7VXXXAB
161	B1392923	WASHER/FLAT (QTY 4)	M16	-	DCH1200163VHXJAA
191	B1392918	WASHER, FLAT 1/4 ID X 1 OD (QTY 4)	M17	-	DCH1200163VHXXAA
241	ZP51K5ETFE130	COMP, 5100, 575/60/3 (M14, M15)	M18	-	DCH1200163VVDXAA
241	ZP51K5ETF5130	COMP,51000,208/230/60/3 (M1, M2, M3, M4, M5, M6, M7, M8, M16, M17, M18, M20, M21, M22, M23, M24, M25)	M19	-	DCH1200164VXMCAB
241	ZP51K5ETFD130	COMP,51000,460/60/3 (M9, M10, M11, M12, M13, M19, M26)	M20	-	DCH1200303VHBAAA
251	0159L00066	COMPRESSOR SCROLL HARNESS	M21	-	DCH1200303VHDXAA
251	0159L00067	COMPRESSOR SCROLL HARNESS	M22	-	DCH1200303VVDXAA
261	M0221641	TF SHOULDER SCREW (QTY 4)	M23	-	DCH1200303VWBJAA
271	B1339533	COMPRESSOR GROMMET (QTY 8)	M24	-	DCH1200453VMMMAA
281	0121L02128	COMPRESSOR MOUNTING PLATE (QTY 2)	M25	-	DCH1200453VXXXAA
NS	04-02196	BEARING & FRAME ASSY	M26	-	DCH1200454VHDMAB
NS	0259L00160	HARNESS-BELT DRIVE 2 SP MOTOR			
NS	0259L00160	HARNESS-BELT DRIVE 2 SP MOTOR			

Control Box Assembly



CONTROL BOX FOR MODELS WITH DDC CONTROL



FRONT VIEW

Control Box Assembly

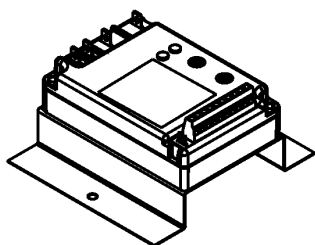
Ref. Part No:	Ref. Part No:	Description:	Description:
Image 1:		Image 1:	
31	0121G00491	VOLTAGE BARRIER	NS 0259L00150 WIRE HARNESS ASSY
51	0130M00594	TRANSFORMER (M1, M2, M3, M4, M5, M6, M7, M8, M16, M17, M18, M20, M21, M22, M23, M24, M25)	NS 0259L00151 WIRE HARNESS ASSY
51	0130M00595	TRANSFORMER, 75VA, 480V TO 24V (M9, M10, M11, M12, M13, M19, M26)	NS 0259L00152 WIRE HARNESS ASSY
51	0130M00598	TRANSFORMER, 75VA, 575V TO 24V (M14, M15)	NS 0259L00156 WIRE HARNESS ASSY
61	CAP100000370LA	CAPACITOR 10/370V (M1, M2, M3, M4, M5, M6, M7, M8, M9, M10, M12, M13, M16, M17, M18, M19, M20, M21, M22, M23, M24, M25, M26)	NS 0259L00158 WIRE HARNESS ASSY
61	CAP050000370LA	CAPACITOR 5/370V (M11, M14)	NS 0259L00090 WIRE HARNESS-SMOKE DETECTOR (M1, M2, M3, M4, M6, M7, M8, M13, M16, M23)
61	CAP050000440LA	CAPACITOR 5/440V (M15)	
71	20520901	CAPACITOR STRAP (QTY 2)	
151	PCBDM101	PCB, DEFROST CONTROL	
161	0130M00038	TERMINAL STRIP	
171	0130M00042	BLOCK, DISTRIB. 7.5-25 TON	
181	PCBFM103	PCB, TIME DELAY, EBTDR	
201	CONT2P040024V	CONTACTOR 40 AMP, 2P, 24V	
221	10135604	RELAY (QTY 4)	
231	0130M00242	24V RELAY (QTY 3)	
351	0130L00070	ROTARY MANUAL MOTOR PROTECTOR (M9, M10, M11, M12, M13, M14, M15, M19, M26)	
351	0130L00082	ROTARY MANUAL MOTOR PROTECTOR (M1, M2, M3, M4, M5, M6, M7, M8, M16, M17, M18, M20, M21, M22, M23, M24, M25)	
361	0130L00070	ROTARY MANUAL MOTOR PROTECTOR (M9, M10, M11, M12, M13, M14, M15, M19, M26)	
361	0130L00084	ROTARY MANUAL MOTOR PROTECTOR (M1, M2, M3, M4, M5, M6, M7, M8, M16, M17, M18, M20, M21, M22, M23, M24, M25)	
411	PCBCG103	PCB, CONTROL, HP, GAS, AC (M9, M24)	
421	0130M00274	TERMINAL BOARD (M9, M24)	
431	0130M00275	TERMINAL BOARD (M9, M24)	
451	0259L00368	CURRENT SWITCH WITH TERMS (M9, M24)	
471	0130L00108	OD Air Temp Sensor (M9, M24)	
501	0130L00105	PHASE MONITOR (M3, M19, M20, M23, M24)	
661	CONT3P025024V	CONTACTOR 25 AMP, 3P, 24V (QTY 4)	
NS	0259L00153	2 SPEED CONTROL HARNESS	
NS	0259L00154	2 SPEED HP HARNESS	
NS	0259L00155	2 SPEED RELAY HARNESS	
NS	0259L00161	CIRCUIT BREAKER HARNESS	
NS	0259L00303	COND FAN/TRANSFORMER HARNESS	
NS	0259L00159	DEFROST BOARD HARNESS	
NS	0259L00157	DEFROST RELAY HARNESS	
NS	0130L00112	Duct Temp Sensor (M9, M24)	
NS	0259L00165	ECONOMIZER HARNESS	
NS	0259L00160	HARNESS-BELT DRIVE 2 SP MOTOR	
NS	0259L00092	HARNESS-SMOKE DETECTOR SENSOR (M1, M2, M3, M4, M6, M7, M8, M13, M16, M23)	
NS	0259L00032	LCM HARNESS, ELECTRIC HEAT	
NS	0130L00107	ROOM SENSOR (M9, M24)	
NS	0259L00427	WIRE ASSY (M19, M20)	
NS	0259L00428	WIRE ASSY (M3, M19, M20, M23)	
NS	0259L00502	WIRE HARNESS	
NS	0259L00148	WIRE HARNESS ASSY	
NS	0259L00149	WIRE HARNESS ASSY	
		Expanded Model Nomenclature	
		M1 - DCH120XXX3VHDDAA	
		M2 - DCH120XXX3VVDDAA	
		M3 - DCH120XXX3VWBHAA	
		M4 - DCH120XXX3VWXDAA	
		M5 - DCH120XXX3VXXXAA	
		M6 - DCH120XXX3VXXZAA	
		M7 - DCH120XXX3V1DDAA	
		M8 - DCH120XXX3V3PDAA	
		M9 - DCH120XXX4VFXBAB	
		M10 - DCH120XXX4VHXBAB	
		M11 - DCH120XXX4VXXXAA	
		M12 - DCH120XXX4VXXXAB	
		M13 - DCH120XXX4V2PDAB	
		M14 - DCH120XXX7VXXXAA	
		M15 - DCH120XXX7VXXXAB	
		M16 - DCH1200163VHXJAA	
		M17 - DCH1200163VHXXAA	
		M18 - DCH1200163VVDXAA	
		M19 - DCH1200164VXMCAB	
		M20 - DCH1200303VHBAAA	
		M21 - DCH1200303VHDXAA	
		M22 - DCH1200303VVDXAA	
		M23 - DCH1200303VWBJAA	
		M24 - DCH1200453VMMMAA	
		M25 - DCH1200453VXXXAA	
		M26 - DCH1200454VHDMAB	

Accessory Part List

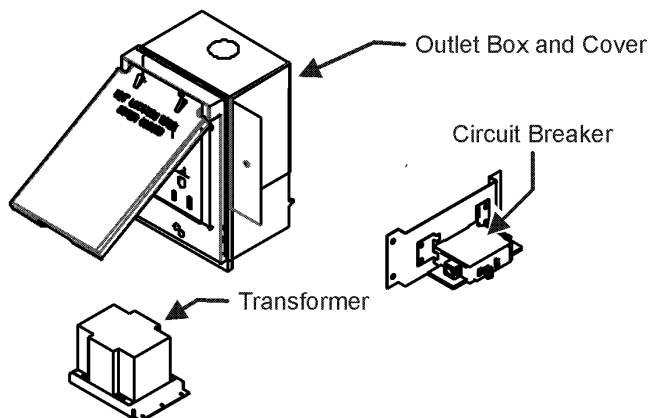
ACCESSORY PARTS LIST

NOTE: NOT ALL OPTIONS AVAILABLE FOR ALL PRODUCTS

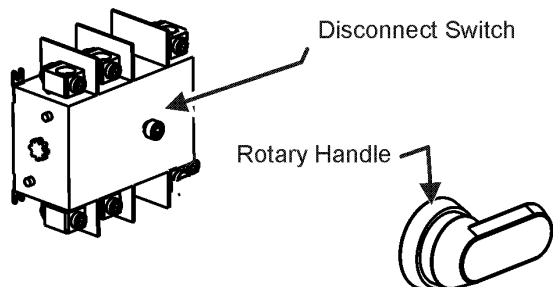
1 LOW AMBIENT KITS



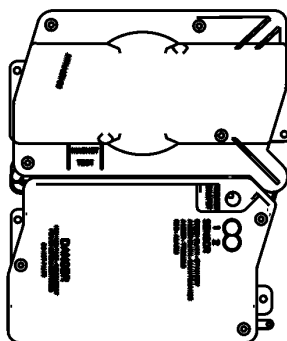
2 GFCI CONVENIENCE OUTLET



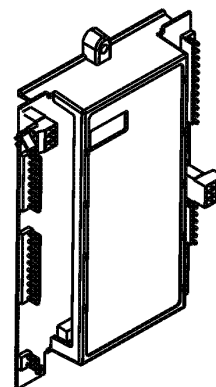
3 DISCONNECT MODULE (NON-FUSED)



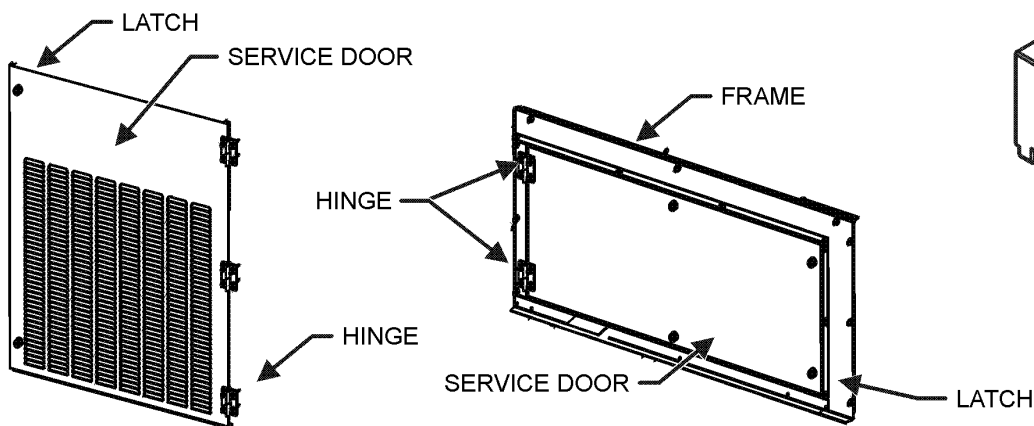
4 SMOKE DETECTORS



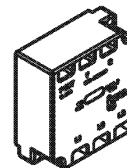
5 DDC CONTROL



6 HINGED DOOR ASSEMBLIES



7 PHASE MONITOR



Accessory Part List

Ref. Part No:	Description:	Ref. Part No:	Description:
Image 1:		Image 1:	
NS EHK3-16	15 KW 208-230/3 (M16, M17, M18)	NS 0130L00056	SHAFT, CUT (M10, M16, M26)
NS EHK4-16	15 KW 460/3 ELECTRIC HEAT (M19)	NS 0130L00049	SHAFT, DISCONNECT (M1, M3, M4, M7, M10, M16, M17, M20, M21, M23, M24, M26)
NS DDNECNJ90150B	7.5-12.5 TON DFLOW ECON (M2, M3, M4, M13, M18, M22, M23)	NS D4120	SMOKE DETECTOR, PHOTO 4WIRE (M1, M2, M3, M4, M6, M7, M8, M13, M16, M23)
NS 10366D10B	7.5-12.5T DFLOW ECON, DDC (M9)	NS D4S	SMOKE DETECTOR, SENSOR ONLY (M6, M16, M23)
NS 0121L00316	BRACKET-CONV OUTLET MOUNT (M3, M10, M16, M20, M23, M26)	NS ECP400-5	SURVEYOR ECP (M7, M8, M13)
NS 0121L00768	BRACKET-SMOKE DETECTOR (M1, M2, M3, M4, M6, M7, M8, M13, M16, M23)	NS 0130L00027	SWITCH-DISCONNECT 100A (M10, M16, M26)
NS 0130M00065	CIRCUIT BREAKER, CONVENIENCE OUTLET (M10, M26)	NS 0130L00033	SWITCH-DISCONNECT 200A (M1, M4, M7, M21)
NS 0121L00973NG	DISCONNECT SWITCH COVER (M1, M3, M4, M7, M10, M16, M17, M20, M21, M23, M24, M26)	NS 0130M00061	TRANSFORMER, CONVENIENCE OUTLET (M10, M26)
NS 0121L01397NG	DOOR FRAME, BLOWER (M1, M2, M7, M8, M13, M18, M19, M21, M22, M24, M26)	NS 0259L00557	WIRE HARNESS (M7, M8, M13)
NS 0121L01406NG	DOOR FRAME, CONTROL (M1, M2, M7, M8, M13, M18, M19, M21, M22, M24, M26)	Expanded Model Nomenclature	
NS 0121L02481NG	DOOR, SERVICE, BACK, BLOWER (M1, M2, M7, M8, M13, M18, M19, M21, M22, M24, M26)	M1 - DCH120XXX3VHDDAA M2 - DCH120XXX3VVDAA M3 - DCH120XXX3VWBHAA M4 - DCH120XXX3VWXDAA M5 - DCH120XXX3VXXXAA M6 - DCH120XXX3VXXZAA M7 - DCH120XXX3V1DDAA M8 - DCH120XXX3V3PDAA M9 - DCH120XXX4VFXAB M10 - DCH120XXX4VHXBAB M11 - DCH120XXX4VXXXAA M12 - DCH120XXX4VXXXAB M13 - DCH120XXX4V2PDAB M14 - DCH120XXX7VXXXAA M15 - DCH120XXX7VXXXAB M16 - DCH1200163VHXJAA M17 - DCH1200163VHXAA M18 - DCH1200163VVDXAA M19 - DCH1200164VXMCAB M20 - DCH1200303VHBAAA M21 - DCH1200303VHDXAA M22 - DCH1200303VVDXAA M23 - DCH1200303VWBJAA M24 - DCH1200453VMMMAA M25 - DCH1200453VXXXAA M26 - DCH1200454VHDMAB	
NS 0121L02480NG	DOOR, SERVICE, FRONT, BLOWER (M1, M2, M7, M8, M13, M18, M19, M21, M22, M24, M26)		
NS EHK3-30	ELECTRIC HEATER KIT (M20, M21, M22, M23)		
NS EHK3-45	ELECTRIC HEATER KIT (M24, M25)		
NS EHK4-45	ELECTRIC HEATER KIT (M26)		
NS 0130L00012	GANG BOX-GFCI OUTLET (M3, M10, M16, M20, M23, M26)		
NS 0130L00039	HANDLE, ROTARY (M1, M4, M7, M10, M16, M21, M26)		
NS 0163M00307	HINGE, LEFT HAND (M1, M2, M7, M8, M13, M18, M19, M21, M22, M24, M26)		
NS 0163M00308	HINGE, RIGHT HAND (M1, M2, M7, M8, M13, M18, M19, M21, M22, M24, M26)		
NS 0163M00322	LATCH (M1, M2, M7, M8, M13, M18, M19, M21, M22, M24, M26)		
NS 0130M00059	LOW AMBIENT KIT (M19, M24, M26)		
NS 0121L02220NG	PNT, DOOR FRAME FILTER (M1, M2, M7, M8, M13, M18, M19, M21, M22, M24, M26)		
NS 0121L02223NG	PNT, SERVICE DOOR BACK FILTER (M1, M2, M7, M8, M13, M18, M19, M21, M22, M24, M26)		
NS 0121L02218NG	PNT, SERVICE DOOR FRONT FILTER (M1, M2, M7, M8, M13, M18, M19, M21, M22, M24, M26)		
NS 0161G00012	POWER OUTLET BOX (M3, M10, M16, M20, M23, M26)		
NS 0130L00103	RECEPTACLE-GFCI OUTLET (M3, M10, M16, M20, M23, M26)		
NS RS400	REMOTE SENSOR (M7, M8, M13)		
NS SP400	SENSOR PACK (M7, M8, M13)		
NS 0121L01404NG	SERVICE DOOR BACK, CONTROL (M1, M2, M7, M8, M13, M18, M19, M21, M22, M24, M26)		
NS 0121L01403NG	SERVICE DOOR FRONT, CONTROL (M1, M2, M7, M8, M13, M18, M19, M21, M22, M24, M26)		
NS 0130L00043	SHAFT, CUT (M1, M4, M7, M21)		