

Commercial 10 Ton 2-Speed High Static Package Heat Pump Unit

DCH1200163WMDBAA
DCH1200163WWBBAA
DCH1200303WBXCAA
DCH1200454WWDOAB
DCH120XXX3WXXXAA
DCH120XXX4WXXXAB



This manual is to be used by qualified technicians only.

This manual replaces RP-D1205B.

Important Information

Index

Functional Parts List	3
Illustration and Parts	4 - 15

Views shown are for parts illustrations only, not servicing procedures

Text Codes:

AR - As Required

NA - Not Available

NS - Not Shown

00000000 - See Note

QTY - Quantity Example (QTY 3) (If Quantity not shown, Quantity = 1)

M - Model Example (M1) (If M Code not shown, then part is used on all Models)

Expanded Model Nomenclature:

Example M1 - Model#1 M2 - Model#2 M3 - Model#3

Daikin Company, L.P. is not responsible for personal injury or property damage resulting from improper service. Review all service information before beginning repairs.

Warranty service must be performed by an authorized technician, using authorized factory parts. If service is required after the warranty expires, Daikin Company, L.P. also recommends contacting an authorized technician and using authorized factory parts.

Daikin Company, L.P. reserves the right to discontinue, or change at any time, specifications or designs without notice or without incurring obligations.

For assistance within the U.S.A. contact:

Equipment Support
Daikin North America, LLC
19001 Kermier Road
Waller, Texas 77484
855-770-5678-Telephone
713-863-2382-Facsimile

For assistance outside the U.S.A. contact:

International Division
Daikin North America, LLC
19001 Kermier Road
Waller, Texas 77484
713-861-2500-Telephone
713-863-2382-Facsimile

Functional Parts

Part

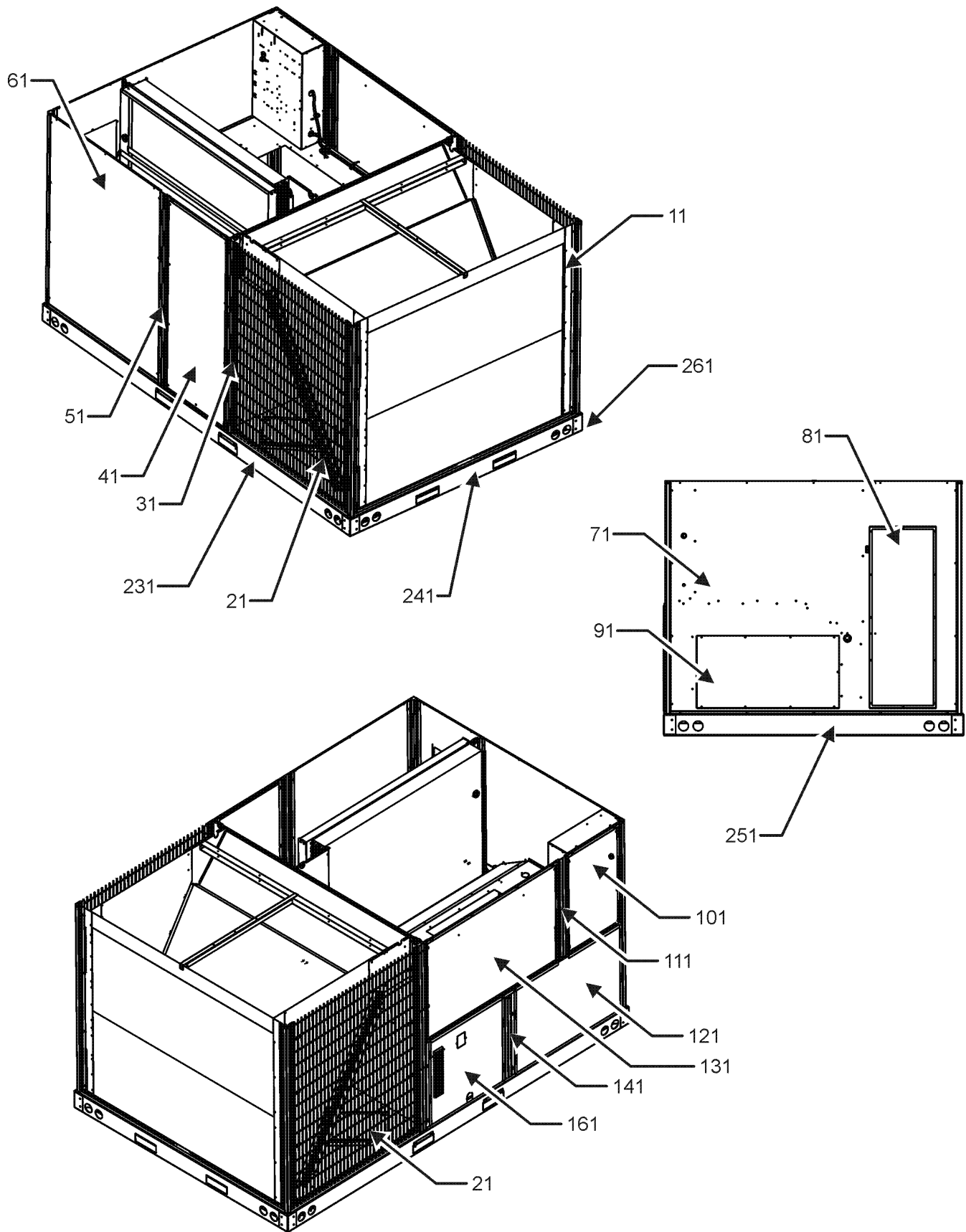
No: Description:

0130M00242	24V RELAY (QTY 3)
CAP100000370LA	CAPACITOR 10/370V (QTY 2)
ZP51K5ETF5130	COMP,51000,208/230/60/3 (M1, M3, M4, M5)
ZP51K5ETFD130	COMP,51000,460/60/3 (M2, M6)
CONT3P025024V	CONTACTOR 25 AMP, 3P, 24V (QTY 4)
CONT2P040024V	CONTACTOR 40 AMP, 2P, 24V
0130M00102	CONTROL, DEFROST
0130M00103	CONTROL, DEFROST
0130M00031	CUT-OUT SWITCH, HIGH PRESSURE
0130M00030	CUT-OUT SWITCH, HIGH PRESSURE
0130L00003	CUT-OUT SWITCH, LOW PRESSURE
0164L00010	FAN BELT, NOTCHED
0131M00430	MOTOR, 1/3 HP, 1 SP, 6 PL (M1, M3, M4, M5)
0131M00774	MOTOR, 1/3 HP, OD (M2, M6)
0131L00074	Motor, 3ph, 5hp (M2, M6)
0131L00073	Motor, 3ph, 5hp (M1, M3, M4, M5)
PCBDM101	PCB, DEFROST CONTROL
PCBFM103	PCB, TIME DELAY, EBTDR
0130L00105	PHASE MONITOR (M4)
10135604	RELAY (QTY 4)
0151R00071	REVERSING VALVE
B1225022	SOLENOID COIL
0130L00027	SWITCH-DISCONNECT 100A (M6)
0130L00033	SWITCH-DISCONNECT 200A (M3, M4)
0130M00038	TERMINAL STRIP
0130M00594	TRANSFORMER (M1, M3, M4, M5)
0130M00595	TRANSFORMER, 75VA, 480V TO 24V (M2, M6)
0130M00061	TRANSFORMER, CONVENIENCE OUTLET (M3, M4, M6)

Expanded Model Nomenclature

M1 - DCH120XXX3WXXXAA
M2 - DCH120XXX4WXXXAB
M3 - DCH1200163WMDBAA
M4 - DCH1200163WWBBAA
M5 - DCH1200303WBXCAA
M6 - DCH1200454WWDOAB

Cabinet Assembly



Cabinet Assembly

Ref. Part No:	Part No:	Description:	Ref. Part No:	Part No:	Description:
---------------	----------	--------------	---------------	----------	--------------

Image 1:

11	0121L00065RFNG	CORNER POST (QTY 4)			
11	0121L01407RFNG	RF, PNT, CORNER POST (M3, M6)			
21	0121L00511NG	LOUVERED SIDE PANEL (QTY 2)			
31	0121L00738RFNG	SIDE POST (QTY 2)			
41	0121L00737NG	FILTER DOOR			
51	0121L00739RFNG	FILTER DOOR POST (M1, M2, M4, M5)			
51	0121L01432RFNG	FILTER DOOR POST (M3, M6)			
61	0121L00510NG	ECONOMIZER DOOR (M1, M2, M3, M5)			
71	0121L01364NG	DUCT PANEL (M1, M2, M5)			
71	0121L01365NG	DUCT PANEL (M3, M4, M6)			
81	0121L00082NG	RETURN DUCT COVER			
91	0121L00099NG	SUPPLY DUCT COVER			
101	0121L00974NG	CONTROL DOOR			
111	0121L02517RFNG	RF, PAINTED CNTL POST HINGED (M3, M6)			
111	0121L02303RFNG	RF, PAINTED CONTROL POST (M1, M2, M4, M5)			
121	0121L00767NG	ELECTRIC HEAT DOOR			
131	0121L00763NG	BLOWER DOOR			
141	0121L00765RFNG	BURNER BOX POST			
161	0121L00828NG	BURNER AREA DOOR			
231	0121L01099RF	RAIL, BASE SIDES RF (QTY 2)			
241	0121L00834RF	RAIL-BASE COND END			
251	0121L00071RF	RAIL, BASE DUCT END			
261	0121G00301	RAIL CORNER BRACKET (QTY 4)			
NS	0121L00055	BRACKET-FORK BOARD (QTY 4)			
NS	0121L00727	ECONOMIZER COVER (M4, M6)			
NS	0141L00006X	FORK BOARD (QTY 2)			
NS	0164L00009	GASKET-RUBBER, CPOST (QTY 3)			
NS	0164L00011	GASKET-RUBBER, SIDE POST (QTY 5)			

Expanded Model Nomenclature

- | |
|-----------------------|
| M1 - DCH120XXX3WXXXAA |
| M2 - DCH120XXX4WXXXAB |
| M3 - DCH1200163WMDBAA |
| M4 - DCH1200163WWBBAA |
| M5 - DCH1200303WBXCAA |
| M6 - DCH1200454WWD0AB |

Top Panel and Tubing Assembly

IMAGE 1

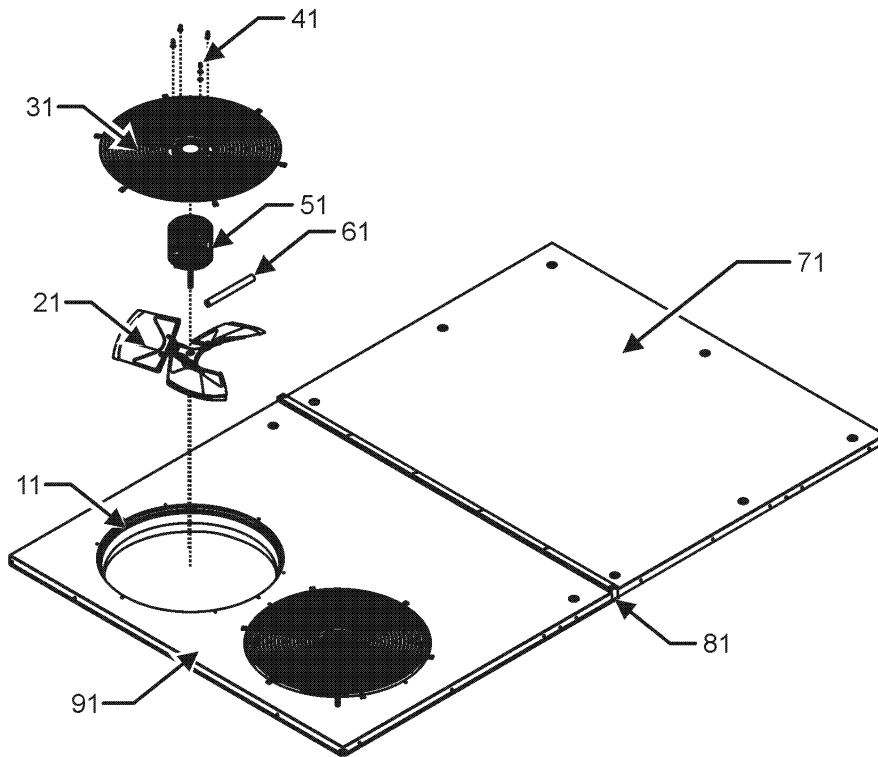
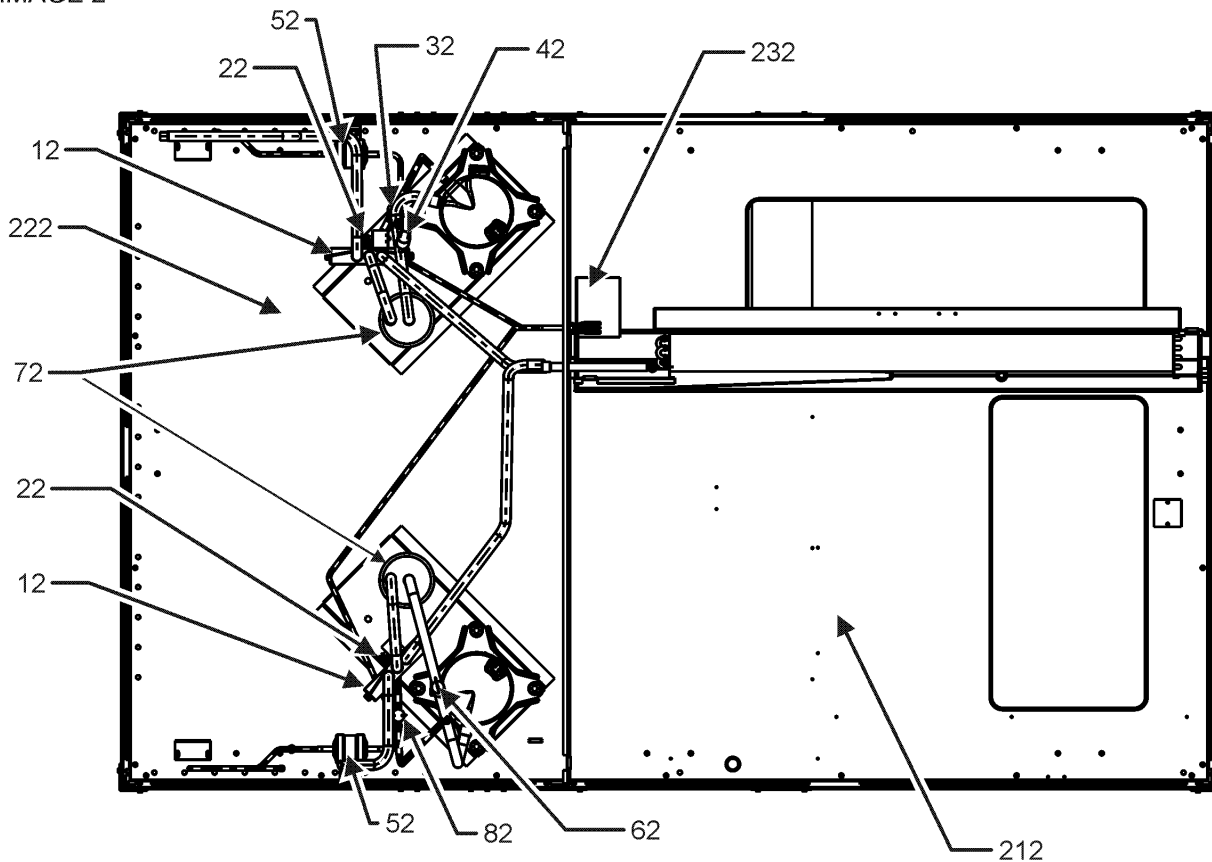


IMAGE 2



Top Panel and Tubing Assembly

Ref. Part No: No:	Description:	Ref. Part No: No:	Description:
-------------------	--------------	-------------------	--------------

Image 1:

11	0161L00000	VENTURI RING 22" (QTY 2)
21	10625733	FAN BLADE 22" ALUM CCW (QTY 2)
31	0152G00000	FAN GRILLE, RAISED (QTY 2)
41	0163M00006P	ACORN NUT 5/16 HEX BLACK (QTY 8)
51	0131M00430	MOTOR, 1/3 HP, 1 SP, 6 PL (M1, M3, M4, M5)
51	0131M00774	MOTOR, 1/3 HP, OD (M2, M6)
61	0161R00003P	CONDUIT (QTY 2)
71	0121L01119NG	PAINTED TOP PANEL INDOOR
81	20455902	SPLICE GASKET .50 X .25 (QTY 8)
91	0121L01118NG	PAINTED TOP PANEL OUTDOOR
NS	0163M00175	CAP WITH O-RING (QTY 4)
NS	0259L00511	HARNESS COND MOTOR
NS	0259L00512	HARNESS COND MOTOR
NS	0163M00004	SCREW #10X3/4", BLACK (QTY 22)
NS	0163M00005P	WASHER, BLACK (.50 OD .218ID) (QTY 8)

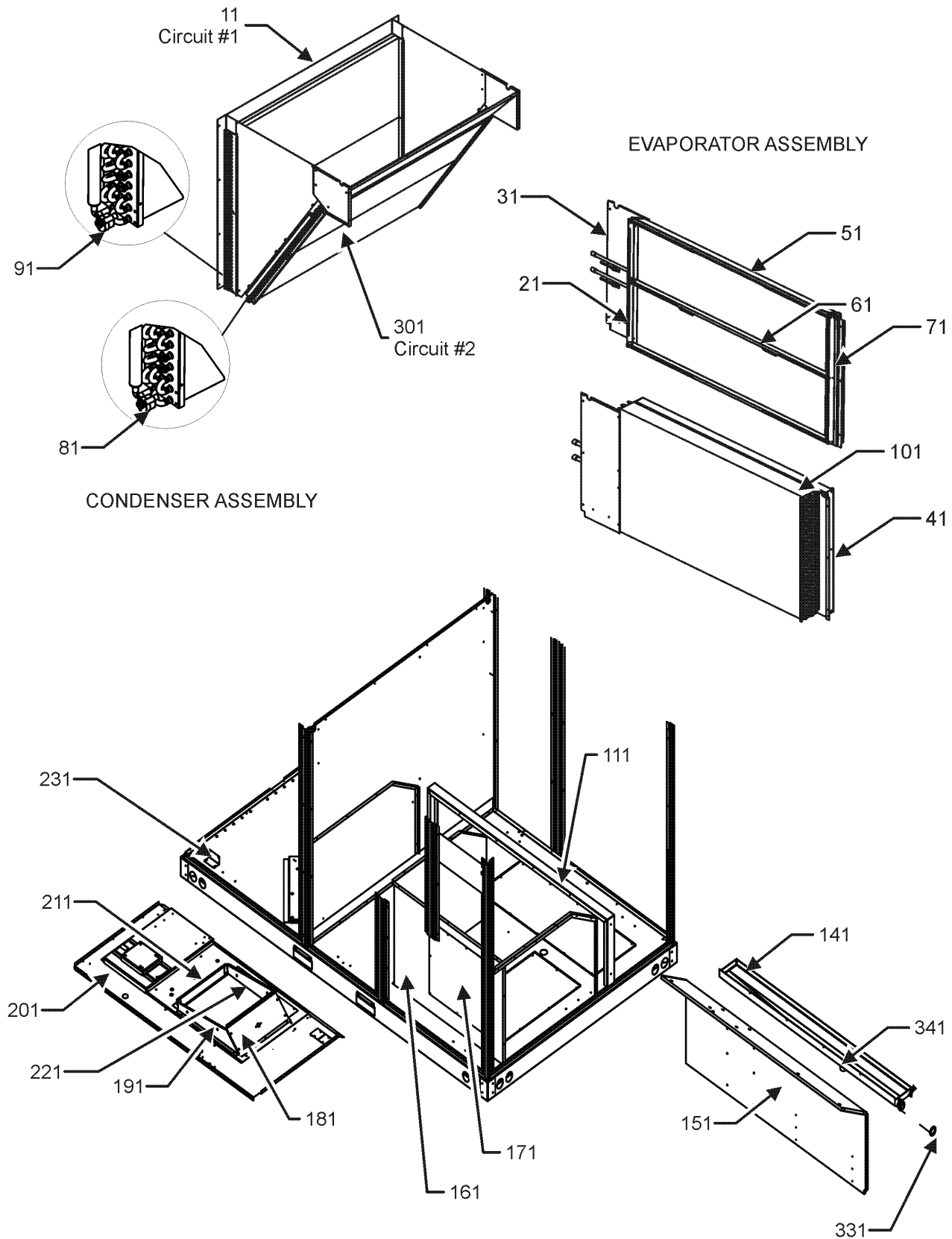
Image 2:

12	0151R00071	REVERSING VALVE
22	B1225022	SOLENOID COIL
32	0130M00031	CUT-OUT SWITCH, HIGH PRESSURE
42	0130L00003	CUT-OUT SWITCH, LOW PRESSURE
52	B1219204	BI-FLOW FILTER DRIER
62	0130L00003	CUT-OUT SWITCH, LOW PRESSURE
72	B1226207	ACCUMULATOR .875 (QTY 2)
82	0130M00030	CUT-OUT SWITCH, HIGH PRESSURE
212	0121L02129	BASE PAN, OUTDOOR
222	0121L00944	BASE PAN-INDOOR
232	0121L00359	SHIELD-EVAPORATOR DRIP
NS	B1373315	ACCESS FITTING (QTY 4)

Expanded Model Nomenclature

- | |
|-----------------------|
| M1 - DCH120XXX3WXXXAA |
| M2 - DCH120XXX4WXXXAB |
| M3 - DCH1200163WMDBA |
| M4 - DCH1200163WWBBAA |
| M5 - DCH1200303WBXCAA |
| M6 - DCH1200454WWDOAB |

Partition, Evaporator & Condenser Assy



Partition, Evaporator & Condenser Assy

Ref. Part No: No:	Description:	Ref. Part No: No:	Description:
-------------------	--------------	-------------------	--------------

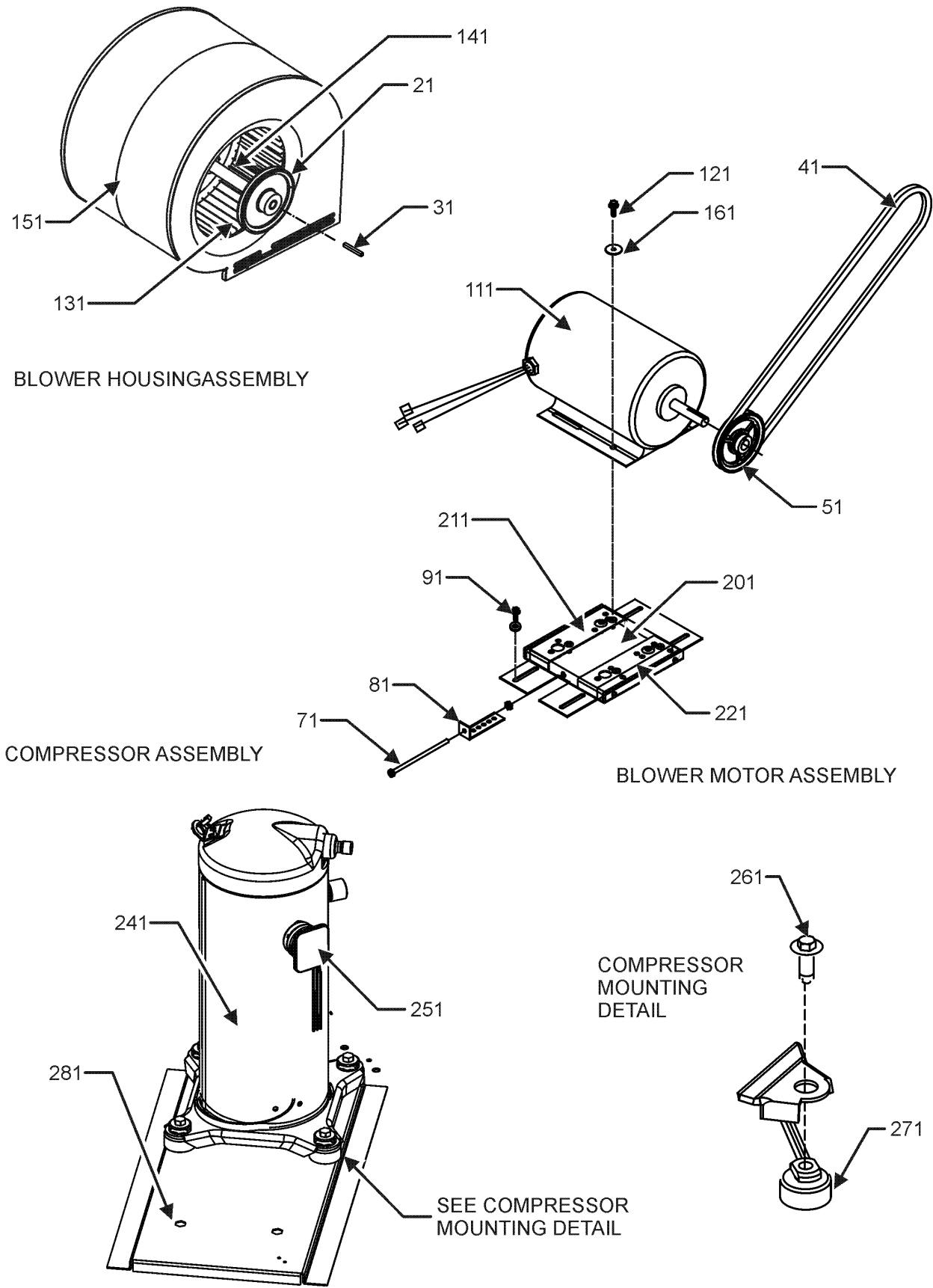
Image 1:

11	0201L00015	TUBING ASSY, COND COIL
21	0121L00650	FILTER ANGLE-VERTICAL (RETURN SIDE)
31	0121L00210	EVAP EXTENSION-RETURN SIDE
41	0121L00843	EXTENSION-EVAP HPIN
51	0121L00649	FILTER ANGLE - HORIZONTAL (QTY 2)
61	0121L01257	ANGLE, FILTER VERTICAL
71	0121L00358	FILTER ANGLE-VERTICAL (HAIRPIN SIDE)
81	0130M00102	CONTROL, DEFROST
91	0130M00103	CONTROL, DEFROST
101	0202L00007	TUBING ASSY, EVAP COIL
111	0121L02984	SUPPORT, PAN, DRAIN
141	0161L00002	DRAIN PAN
151	0121L00374	DECK SIDE CHANNEL
161	0121L00365	ELECTRIC HEAT PANEL
171	0121L00177	ELECTRIC HEAT COVER
181	0121L00168	BLOWER TRANSITION, RH END
191	0121L00092	BLOWER TRANSITION, FRONT
201	0121L03117	DECK, BLOWER
211	0121L00169	BLOWER TRANSITION, LH END
221	0121L00094	BLOWER TRANSITION, BACK
231	0121L00513	BRACE-CONDENSER (QTY 2)
301	0201L00016	TUBING ASSY, COND COIL
331	0154L00009	GASKET-DRAIN PAN
341	0163L00071	DRAIN PLUG
NS	0121L00321	SMOKE DETECTOR COVER

Expanded Model Nomenclature

M1 - DCH120XXX3WXXXAA
M2 - DCH120XXX4WXXXAB
M3 - DCH1200163WMDCAA
M4 - DCH1200163WWBBAA
M5 - DCH1200303WBXCAA
M6 - DCH1200454WWDOAB

Blower and Compressor Assembly



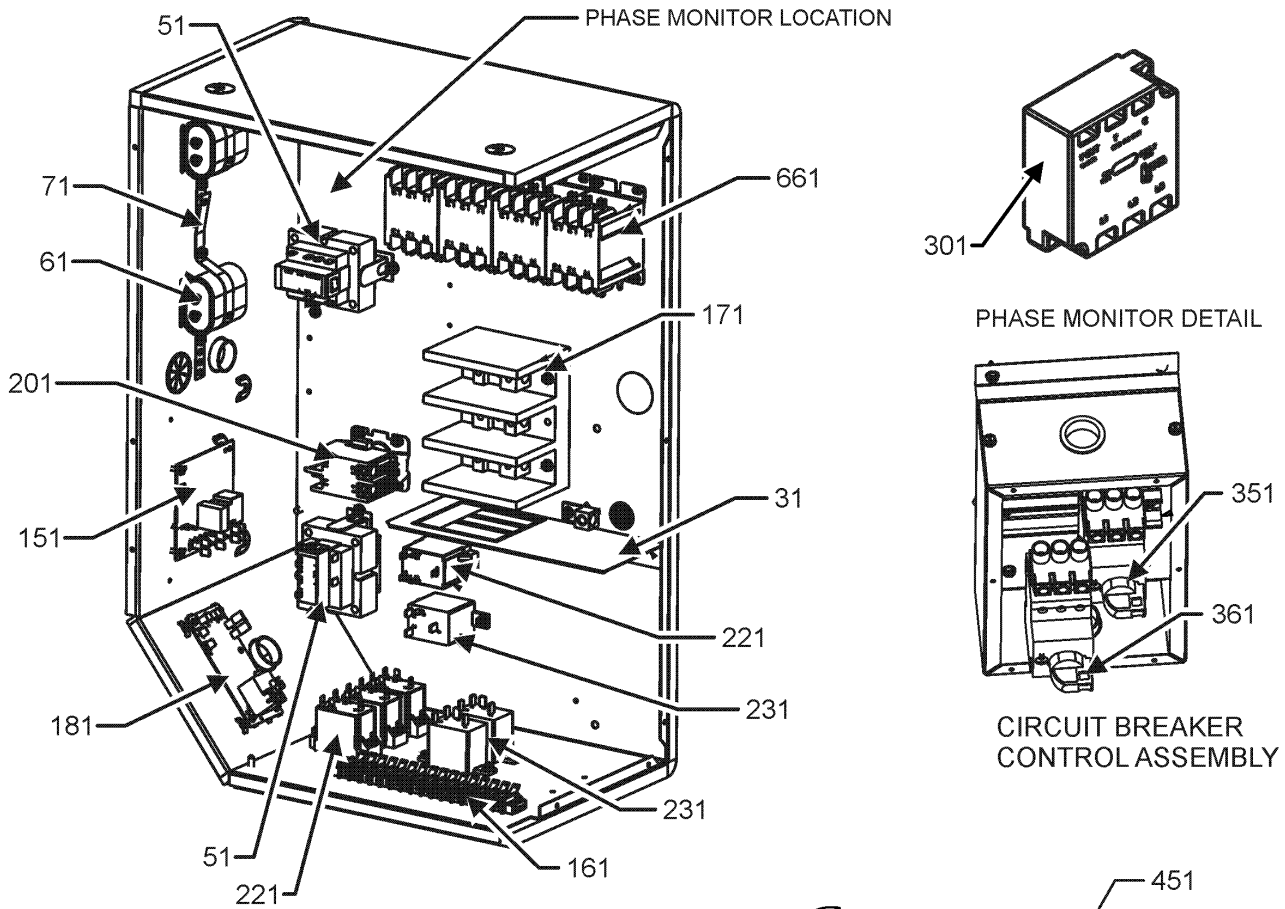
Blower and Compressor Assembly

Ref. Part No:	Ref. Part No:	Description:	Description:
Image 1:			
21	0163L00194	SHEAVE, FIXED AK84H	
31	0163M00407	MACHINE KEY, SPECIAL	
41	0164L00010	FAN BELT, NOTCHED	
51	0163L00052	VARIABLE PITCH SHEAVE	
71	0163M00045	BOLT 1/4-20 X 4"	
81	3225000F	BELT TIGHTENER ANGLE	
91	B1393027	INSERT HEX NUT 5/16 18 (QTY 4)	
111	0131L00073	Motor, 3ph, 5hp (M1, M3, M4, M5)	
111	0131L00074	Motor, 3ph, 5hp (M2, M6)	
121	B1393738	BOLT 1/4-20 X 3/4" (QTY 4)	
131	03-78497	BLOWER WHEEL	
141	04-11526	BLOWER SHAFT	
151	04-01526	BLOWER HOUSING	
161	B1392923	WASHER/FLAT (QTY 4)	
201	0121L02331	MOTOR MOUNTING PLATE	
211	0121L02331	ANGLE-MOTOR MOUNT, FRONT	
221	0121L01461	ANGLE-MOTOR MOUNT, BACK	
241	ZP51K5ETF5130	COMP,51000,208/230/60/3 (M1, M3, M4, M5)	
241	ZP51K5ETFD130	COMP,51000,460/60/3 (M2, M6)	
251	0159L00066	COMPRESSOR SCROLL HARNESS	
251	0159L00067	COMPRESSOR SCROLL HARNESS	
261	M0221641	TF SHOULDER SCREW (QTY 8)	
271	B1339533	COMPRESSOR GROMMET (QTY 8)	
281	0121L02128	COMPRESSOR MOUNTING PLATE (QTY 2)	
NS	04-02196	BEARING & FRAME ASSY	
NS	0259L00160	HARNESS-BELT DRIVE 2 SP MOTOR	
NS	0259L00160	HARNESS-BELT DRIVE 2 SP MOTOR	
NS	B1392918	WASHER, FLAT 1/4 ID X 1 OD (M3, M4, M6)	

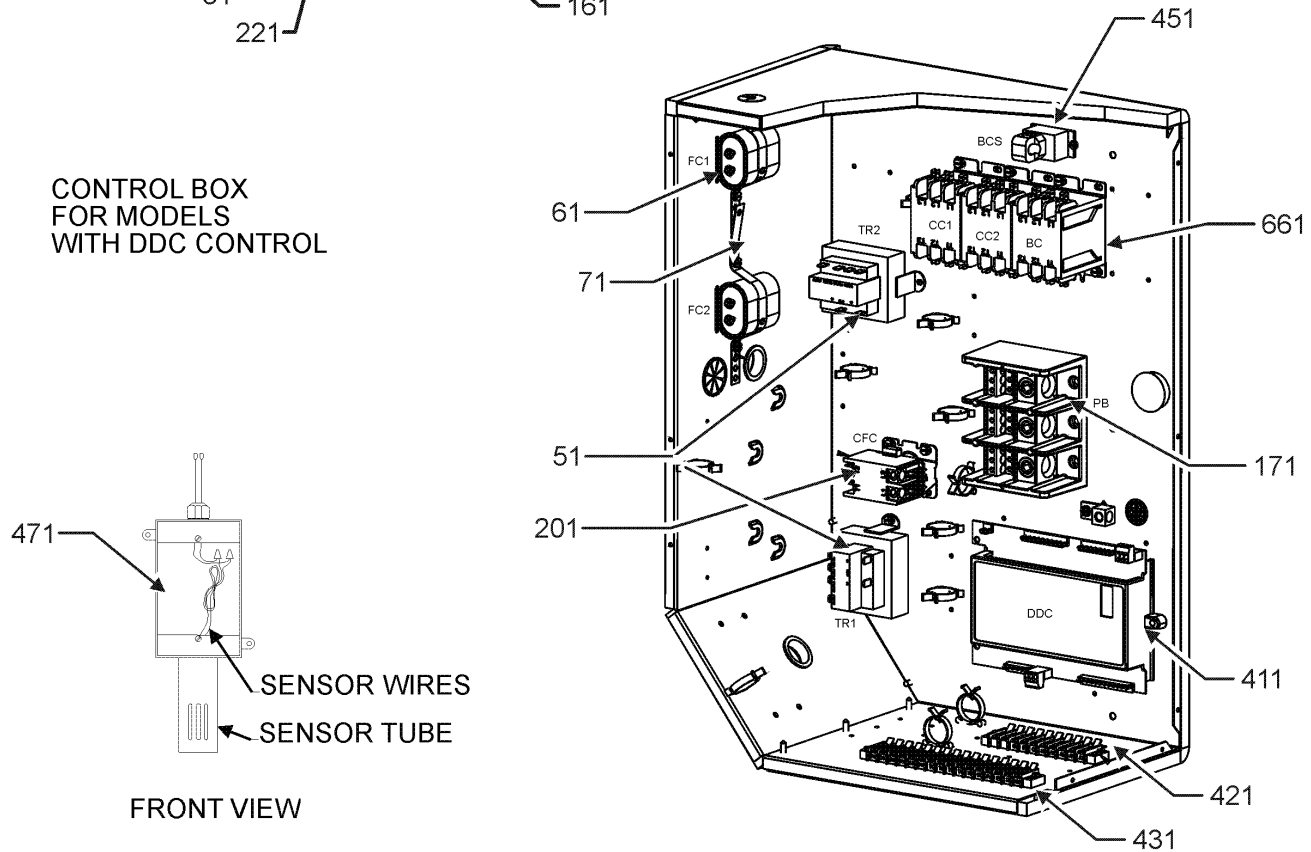
Expanded Model Nomenclature

M1 - DCH120XXX3WXXXAA
M2 - DCH120XXX4WXXXAB
M3 - DCH1200163WMDBA A
M4 - DCH1200163WWBBAA
M5 - DCH1200303WBXCAA
M6 - DCH1200454WWDOAB

Control Box Assembly



CONTROL BOX FOR MODELS WITH DDC CONTROL



Control Box Assembly

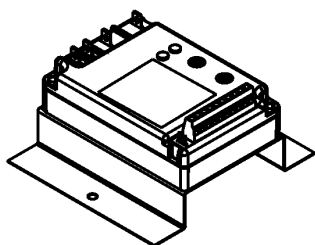
Ref. Part No:	Ref. Part No:	Description:	Description:
Image 1:		Expanded Model Nomenclature	
31	0121G00491	VOLTAGE BARRIER	M1 - DCH120XXX3WXXXAA
51	0130M00594	TRANSFORMER (M1, M3, M4, M5)	M2 - DCH120XXX4WXXXAB
51	0130M00595	TRANSFORMER, 75VA, 480V TO 24V (M2, M6)	M3 - DCH1200163WMDBA
61	CAP100000370LA	CAPACITOR 10/370V (QTY 2)	M4 - DCH1200163WWBBAA
71	20520901	CAPACITOR STRAP (QTY 8)	M5 - DCH1200303WBXCAA
151	PCBDM101	PCB, DEFROST CONTROL	M6 - DCH1200454WWDOAB
161	0130M00038	TERMINAL STRIP	
171	0130M00042	BLOCK, DISTRIB. 7.5-25 TON	
181	PCBFM103	PCB, TIME DELAY, EBTDR	
201	CONT2P040024V	CONTACTOR 40 AMP, 2P, 24V	
221	10135604	RELAY (QTY 4)	
231	0130M00242	24V RELAY (QTY 3)	
301	0130L00105	PHASE MONITOR (M4)	
351	0130L00082	ROTARY MANUAL MOTOR PROTECTOR (M2, M6)	
361	0130L00084	ROTARY MANUAL MOTOR PROTECTOR (M1, M3, M4, M5)	
411	PCBCG103	PCB, CONTROL, HP, GAS, AC (M3, M5)	
421	0130M00274	TERMINAL BOARD (M3, M5)	
431	0130M00275	TERMINAL BOARD (M3, M5)	
451	0259L00368	CURRENT SWITCH WITH TERMS (M3, M5)	
471	0130L00108	OD Air Temp Sensor (M3, M5)	
661	CONT3P025024V	CONTACTOR 25 AMP, 3P, 24V (QTY 4)	
NS	0259L00153	2 SPEED CONTROL HARNESS	
NS	0259L00154	2 SPEED HP HARNESS	
NS	0259L00155	2 SPEED RELAY HARNESS	
NS	0259L00161	CIRCUIT BREAKER HARNESS	
NS	0259L00303	COND FAN/TRANSFORMER HARNESS	
NS	0259L00159	DEFROST BOARD HARNESS	
NS	0259L00157	DEFROST RELAY HARNESS	
NS	0130L00112	Duct Temp Sensor (M3, M5)	
NS	0259L00165	ECONOMIZER HARNESS	
NS	0259L00379	HARN, BINARY INPUT, DDC (M3, M5)	
NS	0259L00382	HARN, CNTL PWR, DDC (M3, M5)	
NS	0259L00385	HARN, CNTL, HEAT PLUG INTERCON (M3, M5)	
NS	0259L00383	HARN, CNTL, TR1-TR2-CFC (M3, M5)	
NS	0259L00418	HARN, RELAY OUTPUT, DDC 2 SP (M3, M5)	
NS	0259L00160	HARNESS-BELT DRIVE 2 SP MOTOR	
NS	0259L00181	HARNESS-BELT DRIVE 2 SP MOTOR	
NS	0259L00032	LCM HARNESS, ELECTRIC HEAT	
NS	0130L00107	ROOM SENSOR (M3, M5)	
NS	0259L00427	WIRE ASSY (M4)	
NS	0259L00428	WIRE ASSY (M4)	
NS	0259L00502	WIRE HARNESS	
NS	0259L00503	WIRE HARNESS (M3, M5)	
NS	0259L00148	WIRE HARNESS ASSY	
NS	0259L00149	WIRE HARNESS ASSY	
NS	0259L00150	WIRE HARNESS ASSY	
NS	0259L00151	WIRE HARNESS ASSY	
NS	0259L00152	WIRE HARNESS ASSY	
NS	0259L00156	WIRE HARNESS ASSY	
NS	0259L00158	WIRE HARNESS ASSY	
NS	0259L00428	WIRE, HARNESS ASSY (M4)	
NS	0259L00427	WIRE, HARNESS ASSY. (M4)	

Accessory Part List

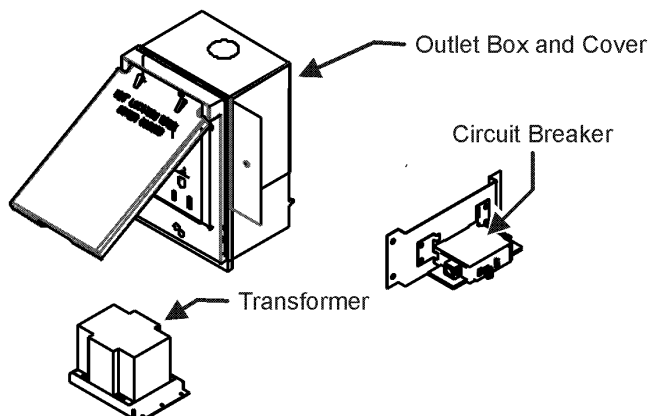
ACCESSORY PARTS LIST

NOTE: NOT ALL OPTIONS AVAILABLE FOR ALL PRODUCTS

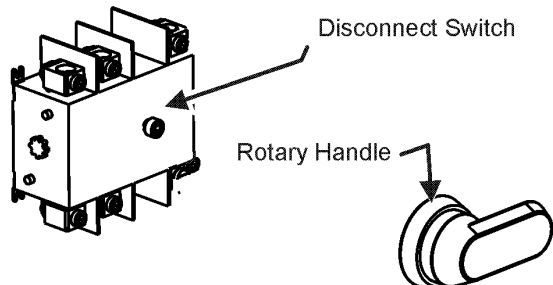
1 LOW AMBIENT KITS



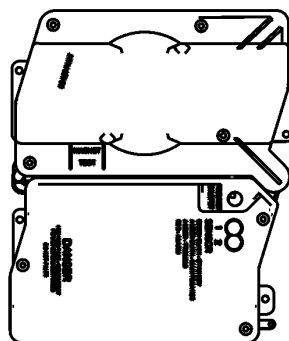
2 GFCI CONVENIENCE OUTLET



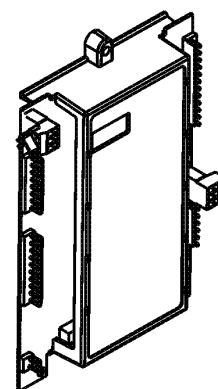
3 DISCONNECT MODULE (NON-FUSED)



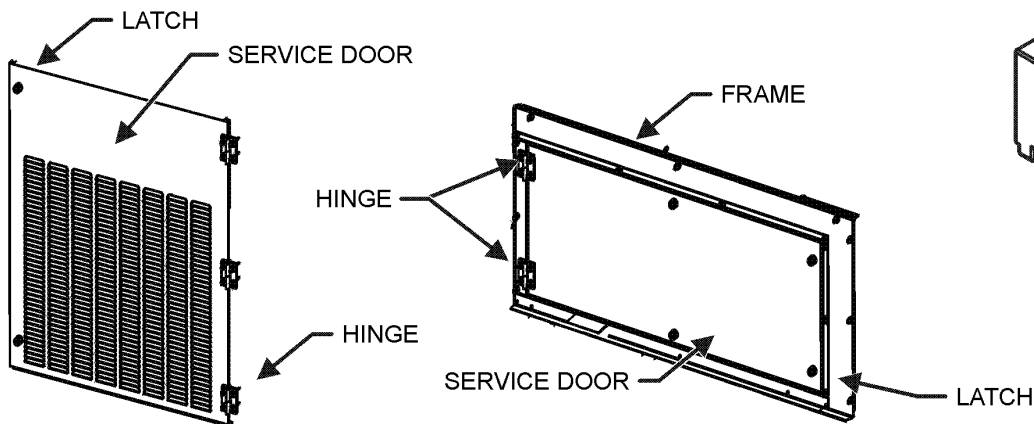
4 SMOKE DETECTORS



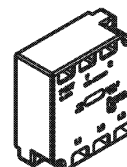
5 DDC CONTROL



6 HINGED DOOR ASSEMBLIES



7 PHASE MONITOR



Accessory Part List

Ref. Part No:	Part No:	Description:	Ref. Part No:	Part No:	Description:
Image 1:					
NS	EHK3-16	15 KW 208-230/3 (M3, M4)			
NS	EHK3-16	15 KW 208-230/3 ELECTRIC HEAT (M3, M4)			
NS	DDNECNJ90150B	7.5-12.5 TON DFLW ECON (M4, M6)			
NS	0121L00316	BRACKET-CONV OUTLET MOUNT (M3, M4, M6)			
NS	0130M00065	CIRCUIT BREAKER, CONVENIENCE OUTLET (M3, M4, M6)			
NS	0121L00973NG	DISCONNECT SWITCH COVER (M3, M4, M6)			
NS	0121L01406NG	DOOR FRAME, CONTROL (M3, M6)			
NS	0121L02480NG	DOOR, SERVICE, FRONT, BLOWER (M3, M6)			
NS	EHK3-30	ELECTRIC HEATER KIT (M5)			
NS	EHK4-45	ELECTRIC HEATER KIT (M6)			
NS	0130L00012	GANG BOX-GFCI OUTLET (M3, M4, M6)			
NS	0130L00039	HANDLE, ROTARY (M3, M4, M6)			
NS	0163M00307	HINGE, LEFT HAND (M3, M6)			
NS	0163M00308	HINGE, RIGHT HAND (M3, M6)			
NS	0163M00322	LATCH (M3, M6)			
NS	0130M00059	LOW AMBIENT KIT (M5)			
NS	0121L02220NG	PNT, DOOR FRAME FILTER (M3, M6)			
NS	0121L02481NG	PNT, SERVICE DOOR BACK BLWR (M3, M6)			
NS	0121L02223NG	PNT, SERVICE DOOR BACK FILTER (M3, M6)			
NS	0121L02218NG	PNT, SERVICE DOOR FRONT FILTER (M3, M6)			
NS	0161G00012	POWER OUTLET BOX (M3, M4, M6)			
NS	0130L00103	RECEPTACLE-GFCI OUTLET (M3, M4, M6)			
NS	0121L01404NG	SERVICE DOOR BACK, CONTROL (M3, M6)			
NS	0121L01397NG	SERVICE DOOR FRAME, BLOWER (M3, M6)			
NS	0121L01403NG	SERVICE DOOR FRONT, CONTROL (M3, M6)			
NS	0130L00043	SHAFT, CUT (M3, M4)			
NS	0130L00049	SHAFT, DISCONNECT (M3, M4, M6)			
NS	0130L00027	SWITCH-DISCONNECT 100A (M6)			
NS	0130L00033	SWITCH-DISCONNECT 200A (M3, M4)			
NS	0130M00061	TRANSFORMER, CONVENIENCE OUTLET (M3, M4, M6)			

Expanded Model Nomenclature

M1 - DCH120XXX3WXXXAA
M2 - DCH120XXX4WXXXAB
M3 - DCH1200163WMDBAA
M4 - DCH1200163WWBBAA
M5 - DCH1200303WBXCAA
M6 - DCH1200454WWD0AB