

Commercial 10 Ton Package Heat Pump

DCH1200164BH XOAB
DCH1200164BXXXAB
DCH1200303BAXVAA
DCH1200303BH XOAA
DCH1200304BAXVAB
DCH1200304BH XOAB
DCH1200304BXXCAB
DCH1200453BHBTAA
DCH120XXX3BAXXAA
DCH120XXX3BBXXAA
DCH120XXX3BFDXAA
DCH120XXX3BHDDAA
DCH120XXX3BHXXAA
DCH120XXX3BJXJAA
DCH120XXX3BXXDAA
DCH120XXX3BXXXAA
DCH120XXX3BXXXAB
DCH120XXX4BBXXAB
DCH120XXX4BHXAAB
DCH120XXX4BXXXAA
DCH120XXX4BXXXAB
DCH120XXX4BXXXAC
DCH120XXX7BBXXAB
DCH120XXX7BXXXAA
DCH120XXX7BXXXAB



This manual is to be used by qualified technicians only.

This manual replaces RP-D1038J.

© 2013 - 2018 **DAIKIN COMPANY, L.P.** ♦ 5151 San Felipe St., Suite 500 ♦ Houston, TX 77056

Important Information

Index

Functional Parts List	3
Illustration and Parts	4 - 17

Views shown are for parts illustrations only, not servicing procedures

Text Codes:

AR - As Required

NA - Not Available

NS - Not Shown

00000000 - See Note

QTY - Quantity Example (QTY 3) (If Quantity not shown, Quantity = 1)

M - Model Example (M1) (If M Code not shown, then part is used on all Models)

Expanded Model Nomenclature:

Example M1 - Model#1 M2 - Model#2 M3 - Model#3

Daikin Company, L.P. is not responsible for personal injury or property damage resulting from improper service. Review all service information before beginning repairs.

Warranty service must be performed by an authorized technician, using authorized factory parts. If service is required after the warranty expires, Daikin Company, L.P. also recommends contacting an authorized technician and using authorized factory parts.

Daikin Company, L.P. reserves the right to discontinue, or change at any time, specifications or designs without notice or without incurring obligations.

For assistance within the U.S.A. contact:

Equipment Support
Daikin North America, LLC
19001 Kermier Road
Waller, Texas 77484
855-770-5678-Telephone
713-863-2382-Facsimile

For assistance outside the U.S.A. contact:

International Division
Daikin North America, LLC
19001 Kermier Road
Waller, Texas 77484
713-861-2500-Telephone
713-863-2382-Facsimile

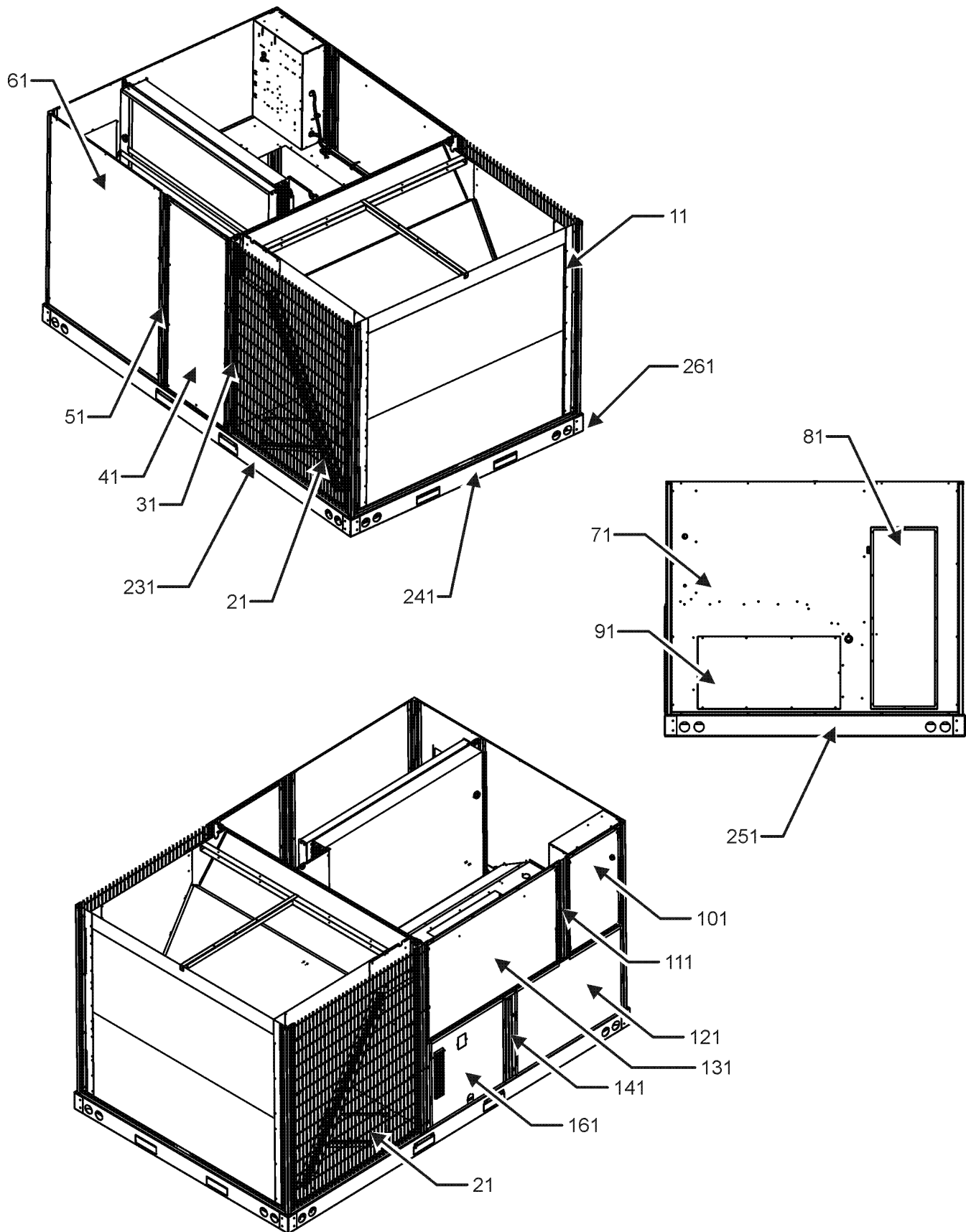
Functional Parts

Part

No: **Description:**

Part No:	Description:	Expanded Model Nomenclature
0130M00242	24V RELAY	M1 - DCH120XXX3BAXXAA
B3240006	BELT DRIVE MOTOR 2 HP (M1, M2, M3, M4, M5, M6, M7, M8, M9, M10, M11, M12, M13, M14, M18, M19, M20, M21, M22, M23, M24, M25)	M2 - DCH120XXX3BBXXAA
0131L00005	BELT DRIVE MOTOR 2 HP 575 V (M15, M16, M17)	M3 - DCH120XXX3BFDXAA
03-78497	BLOWER WHEEL	M4 - DCH120XXX3BHDDAA
CAP100000370LA	CAPACITOR 10/370V (M1, M2, M3, M4, M5, M6, M7, M8, M9, M10, M11, M13, M14, M18, M19, M20, M21, M22, M23, M24, M25)	M5 - DCH120XXX3BHXXAA
CAP030000440LA	CAPACITOR 3/440V (M15)	M6 - DCH120XXX3BJXJAA
CAP050000370LA	CAPACITOR 5/370V (M12, M16)	M7 - DCH120XXX3BXXDAA
CAP050000440LA	CAPACITOR 5/440V (M17)	M8 - DCH120XXX3BXXXAA
ZP51K5ETF5130	COMPRESSOR 51000, 208/230/60/3 (M1, M2, M3, M4, M5, M6, M7, M8, M9, M20, M21, M25)	M9 - DCH120XXX3BXXXAB
ZP51K5ETFD130	COMPRESSOR 51000, 460/60/3 (M10, M11, M12, M13, M14, M18, M19, M22, M23, M24)	M10 - DCH120XXX4BBXXAB
ZP51K5ETFE130	COMPRESSOR 51000, 575/60/3 (M15, M16, M17)	M11 - DCH120XXX4BHXAAB
0131M00430	COND MOTOR 1/3 HP, 1 SP, 6 PL (M1, M2, M3, M4, M5, M6, M7, M8, M9, M20, M21)	M12 - DCH120XXX4BXXXAA
B13400249	COND MOTOR 1/3 HP, 460V (M12)	M13 - DCH120XXX4BXXXAB
0131M00179	COND MOTOR 1/3 HP, 6 PL, 575V (M16)	M14 - DCH120XXX4BXXXAC
0131M00500	COND MOTOR 1/3 HP, OD, LAK (M15, M17)	M15 - DCH120XXX7BBXXAB
CONT3P025024V	CONTACTOR 25 AMP, 3P, 24V (QTY 3)	M16 - DCH120XXX7BXXXAA
CONT2P040024V	CONTACTOR 40 AMP, 2P, 24V	M17 - DCH120XXX7BXXXAB
0130M00102	CONTROL, DEFROST	M18 - DCH1200164BH XOAB
0130M00103	CONTROL, DEFROST	M19 - DCH1200164BXXXAB
0130M00030	CUT-OUT SWITCH, HIGH PRESSURE	M20 - DCH1200303BAXVAA
0130M00031	CUT-OUT SWITCH, HIGH PRESSURE	M21 - DCH1200303BH XOAA
0130L00003	CUT-OUT SWITCH, LOW PRESSURE (QTY 2)	M22 - DCH1200304BAXVAB
0130L00002	CUT-OUT SWITCH, LOW PRESSURE (M12, M22)	M23 - DCH1200304BH XOAB
PCBCG100	DDC Controller (M2, M3, M10, M15)	M24 - DCH1200304BXX CAB
PCBDM101	DEFROST CONTROL BOARD	M25 - DCH1200453BH BTAA
0130L00112	Duct Temp Sensor (M2, M3, M10, M15)	
PCBFM103	ELECTRONIC BLOWER TIME DELAY (M1, M4, M5, M6, M7, M8, M9, M11, M12, M13, M14, M16, M17, M18, M19, M20, M21, M22, M23, M24, M25)	
0131M00774	MOTOR, 1/3 HP, OD (M10, M11, M13, M14, M18, M19, M22, M23)	
0164L00000	NOTCHED FAN BELT AX51	
0130L00108	OD Air Temp Sensor (M2, M3, M10, M15)	
10135604	RELAY	
0151R00071	REVERSING VALVE	
0130L00107	ROOM SENSOR-OE213-G (M2, M3, M10, M15)	
B1225022	SOLENOID COIL	
0130M00274	TERMINAL BOARD (M2, M3, M10, M15)	
0130M00038	TERMINAL BOARD (M1, M4, M5, M6, M7, M8, M9, M11, M12, M13, M14, M16, M17, M18, M19, M20, M21, M22, M23, M24, M25)	
0130M00275	TERMINAL BOARD (M2, M3, M10, M15)	
0130M00144	TRANSFORMER (M1, M2, M3, M4, M5, M6, M7, M8, M9, M20, M21, M25)	
0130M00145	TRANSFORMER 480V to 24V, 75VA (M10, M11, M12, M13, M14, M18, M19, M22, M23, M24)	
0130M00148	TRANSFORMER 575V to 24V, 75VA (M15, M16, M17)	

Cabinet Assembly



Cabinet Assembly

Ref. Part No: No:	Description:	Ref. Part No: No:	Description:
Image 1:		Expanded Model Nomenclature	
11	0121L00065RFNG CORNER POST (QTY 4)	M1	- DCH120XXX3BAXXAA
11	0121L01407RFNG CORNER POST (M3, M4)	M2	- DCH120XXX3BBXXAA
21	0121L00511NG LOUVERED SIDE PANEL (QTY 2)	M3	- DCH120XXX3BFDXAA
31	0121L00738RFNG ROLL FORM SIDE POST (M1, M2, M5, M6, M7, M8, M9, M10, M11, M12, M13, M14, M15, M16, M17, M18, M19, M20, M21, M22, M23, M24, M25)	M4	- DCH120XXX3BHDDAA
31	0121L01400RFNG SIDE POST (M3, M4)	M5	- DCH120XXX3BHXXAA
41	0121L00737NG FILTER DOOR	M6	- DCH120XXX3BJXJAA
51	0121L00739RFNG FILTER DOOR POST (M1, M2, M5, M6, M7, M8, M9, M10, M11, M12, M13, M14, M15, M16, M17, M18, M19, M20, M21, M22, M23, M24, M25)	M7	- DCH120XXX3BXXDAA
51	0121L01432RFNG FILTER DOOR POST (M3, M4)	M8	- DCH120XXX3BXXXAA
61	0121L00510NG ECONOMIZER DOOR (M2, M4, M5, M6, M7, M8, M9, M10, M11, M12, M13, M14, M15, M16, M17, M18, M19, M20, M21, M22, M23, M24, M25)	M9	- DCH120XXX3BXXXAB
71	0121L01364NG DUCT PANEL (M1, M2, M3, M7, M8, M9, M10, M12, M13, M14, M15, M16, M17, M19, M20, M22, M24)	M10	- DCH120XXX4BBXXAB
71	0121L01365NG DUCT PANEL (M4, M5, M6, M11, M18, M21, M23, M25)	M11	- DCH120XXX4BHXAAAB
81	0121L00082NG RETURN DUCT COVER	M12	- DCH120XXX4BXXXXAA
91	0121L00099NG SUPPLY DUCT COVER	M13	- DCH120XXX4BXXXXAB
101	0121L00974NG CONTROL DOOR	M14	- DCH120XXX4BXXXXAC
111	0121L02517RFNG RF, PAINTED CNTL POST HINGED (M3, M4)	M15	- DCH120XXX7BBXXAB
111	0121L02303RFNG RF, PAINTED CONTROL POST (M1, M2, M5, M6, M7, M8, M9, M10, M11, M12, M13, M14, M15, M16, M17, M18, M19, M20, M21, M22, M23, M24, M25)	M16	- DCH120XXX7BXXXXAA
121	0121L00767NG ELECTRIC HEAT DOOR	M17	- DCH120XXX7BXXXXAB
131	0121L00763NG BLOWER DOOR	M18	- DCH1200164BHXOAB
141	0121L00765RFNG BURNER BOX POST	M19	- DCH1200164BXXXXAB
161	0121L00828NG BURNER AREA DOOR	M20	- DCH1200303BAXVAA
231	0121L01099RF RAIL, BASE SIDES RF (QTY 2)	M21	- DCH1200303BHXOAA
241	0121L00834RF RAIL-BASE COND END	M22	- DCH1200304BAXVAB
251	0121L00071RF RAIL, BASE DUCT END	M23	- DCH1200304BHXOAB
261	0121G00301 RAIL CORNER BRACKET (QTY 4)	M24	- DCH1200304BXXCAB
NS	0121L000055 BRACKET-FORK BOARD (QTY 4)	M25	- DCH1200453BHBTAA
NS	0121L01310 ECONOMIZER COVER (M1, M3, M6, M20, M22)		
NS	0141L00006X FORK BOARD (QTY 2)		
NS	0164L00009 GASKET-RUBBER, CPOST (QTY 3)		
NS	0164L00011 GASKET-RUBBER, SIDE POST (QTY 5)		

Top Panel and Tubing Assembly

IMAGE 1

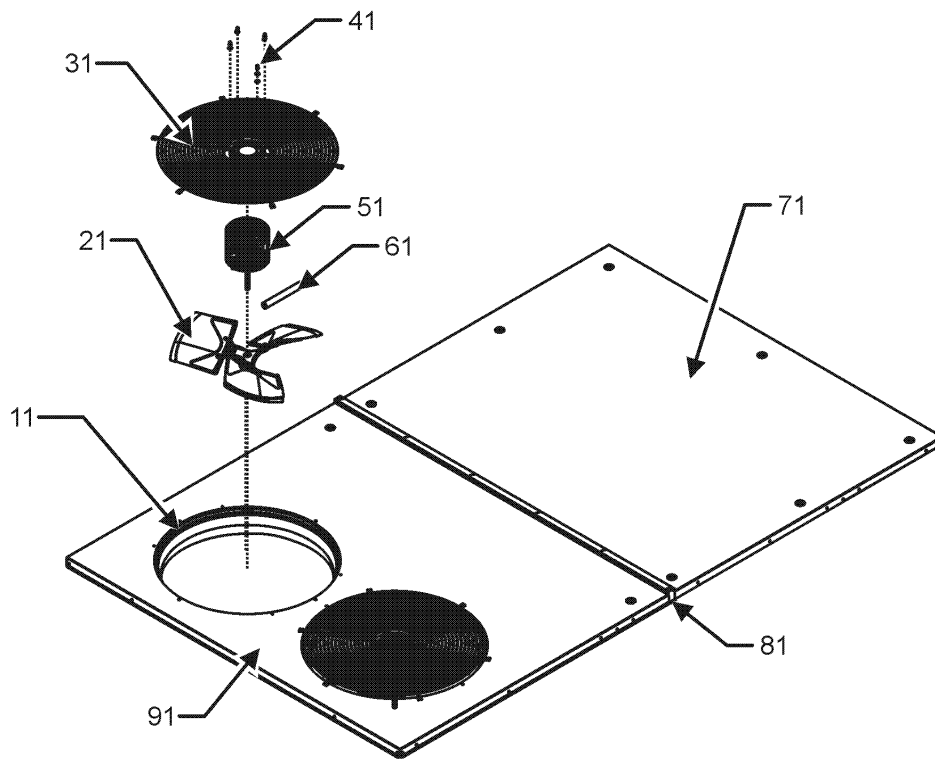
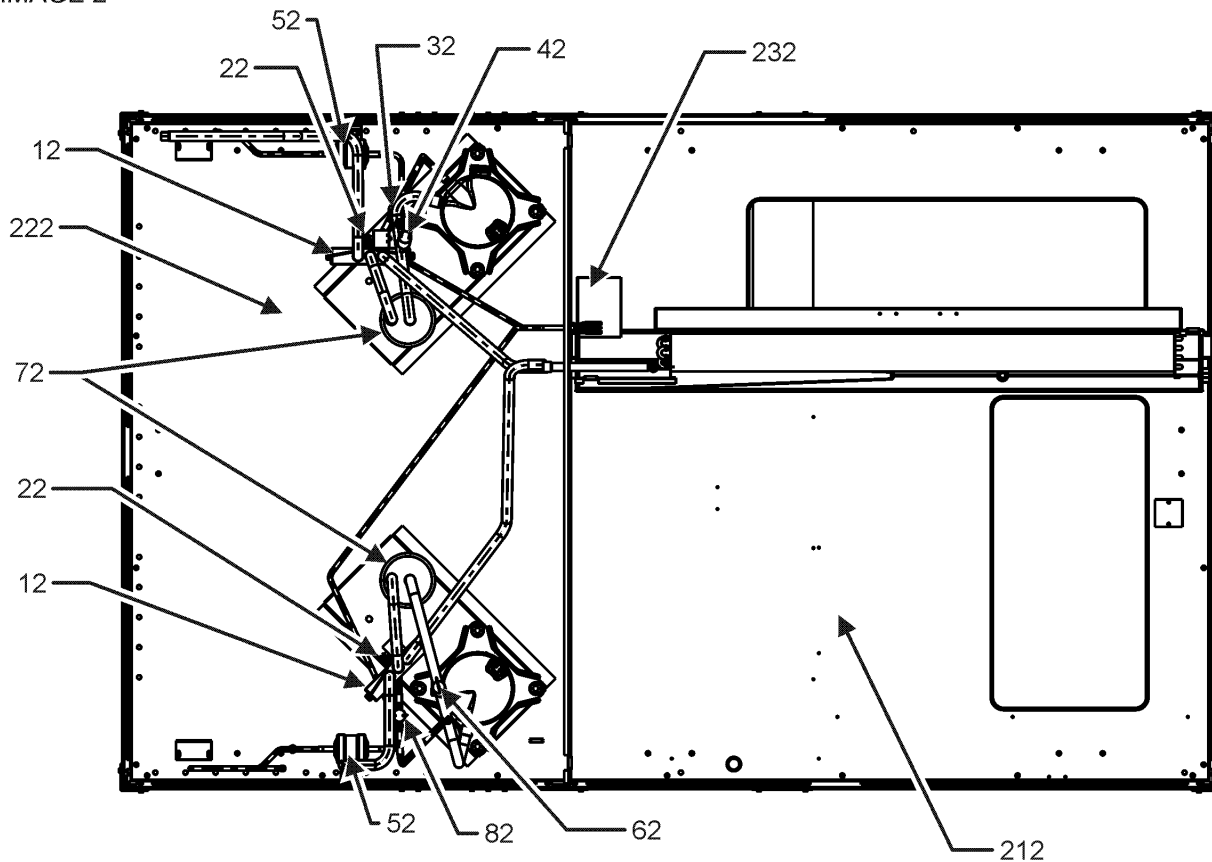


IMAGE 2

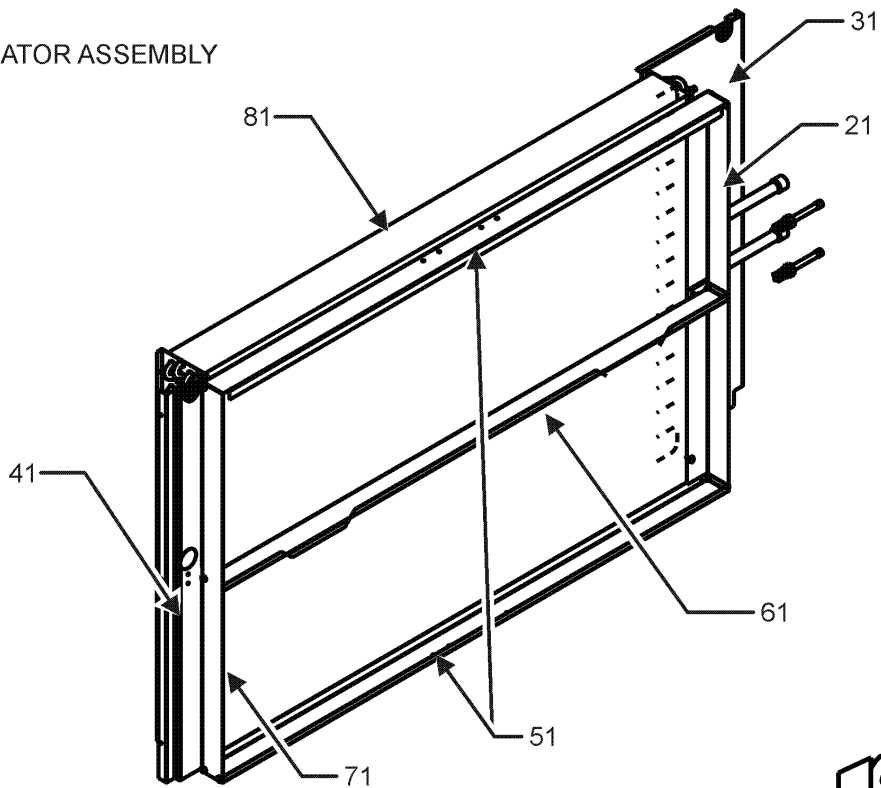


Top Panel and Tubing Assembly

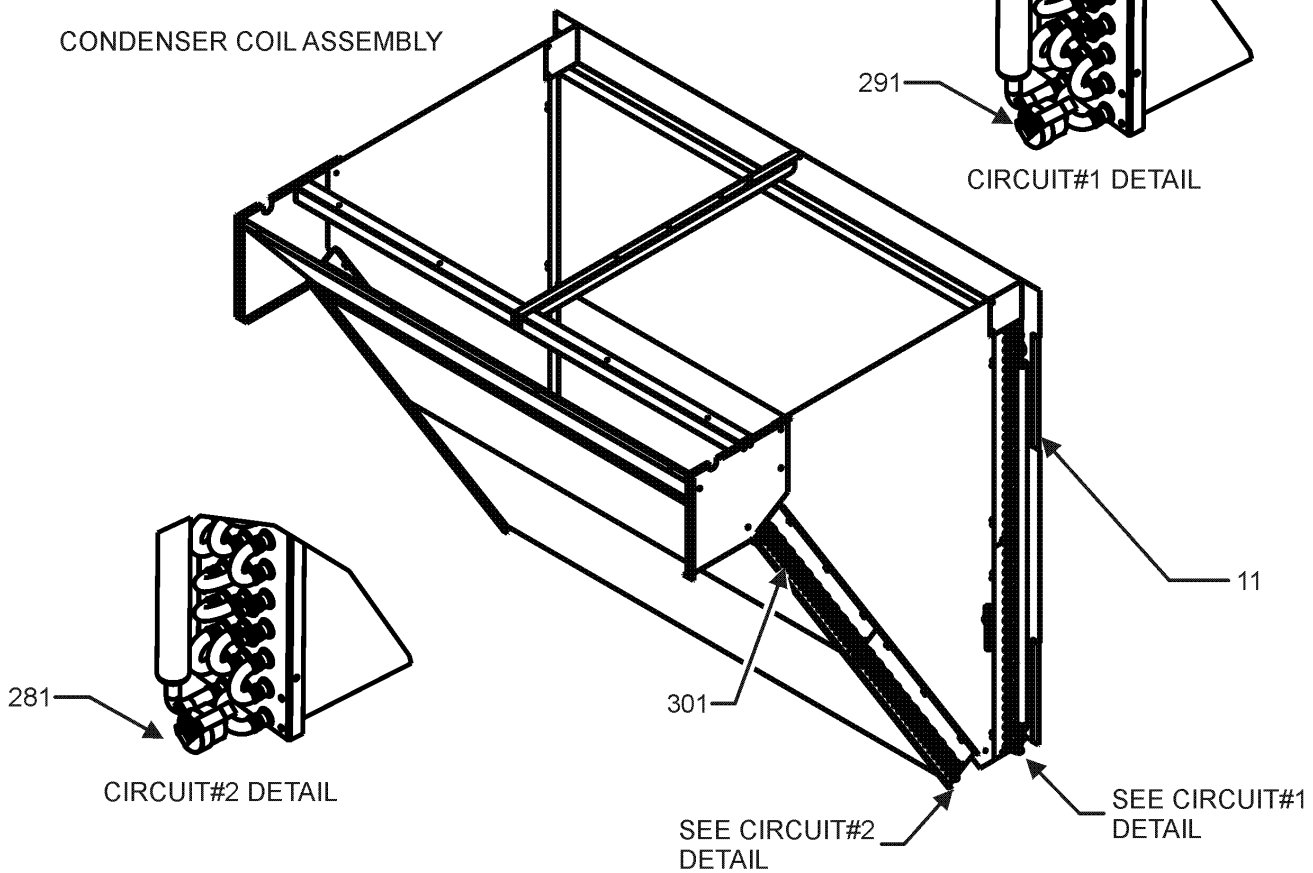
Ref. Part No: No:	Description:	Ref. Part No: No:	Description:
Image 1:		Expanded Model Nomenclature	
11	0161L00000	VENTURI RING 22" (QTY 2)	M1 - DCH120XXX3BAXXAA
21	10625733	FAN BLADE 22" ALUM CCW (QTY 2)	M2 - DCH120XXX3BBXXAA
31	0152G00003	FAN GRILLE (M12, M16)	M3 - DCH120XXX3BFDXAA
31	0152G00000	FAN GRILLE, RAISED (M1, M2, M3, M4, M5, M6, M7, M8, M9, M10, M11, M13, M14, M15, M17, M18, M19, M20, M21, M22, M23, M24, M25)	M4 - DCH120XXX3BHDDAA
41	0163M00006P	ACORN NUT 5/16 HEX BLACK (QTY 8)	M5 - DCH120XXX3BHXXAA
51	0131M00430	COND MOTOR 1/3 HP, 1 SP, 6 PL (M1, M2, M3, M4, M5, M6, M7, M8, M9, M20, M21)	M6 - DCH120XXX3BJXJAA
51	B13400249	COND MOTOR 1/3 HP, 460V (M12)	M7 - DCH120XXX3BXXDAA
51	0131M00179	COND MOTOR 1/3 HP, 6 PL, 575V (M16)	M8 - DCH120XXX3BXXXAA
51	0131M00500	COND MOTOR 1/3 HP, OD, LAK (M15, M17)	M9 - DCH120XXX3BXXXAB
51	0131M00774	MOTOR, 1/3 HP, OD (M10, M11, M13, M14, M18, M19, M22, M23)	M10 - DCH120XXX4BBXXAB
51	0131L00064	MOTOR, COND, 1/3 HP, 208/230V (M25)	M11 - DCH120XXX4BHXAAB
51	0131L00065	MOTOR, COND, 1/3 HP, 460V (M24)	M12 - DCH120XXX4BXXXAA
61	0163M00386	CONDUIT-FLEXIBLE	M13 - DCH120XXX4BXXXAB
71	0121L00497NG	TOP INDOOR	M14 - DCH120XXX4BXXXAC
81	20455902	SPLICE GASKET .50 X .25 (QTY 5)	M15 - DCH120XXX7BBXXAB
91	0121L01105NG	TOP OUTDOOR	M16 - DCH120XXX7BXXXAA
NS	0259L00026	COND MOTOR HARNESS 460V (M10, M12, M24)	M17 - DCH120XXX7BXXXAB
NS	0259L00028	COND MOTOR HARNESS 460V (M10, M12, M24)	M18 - DCH1200164BH XOAB
NS	0259L00511	HARNESS COND MOTOR (M1, M2, M3, M4, M5, M6, M7, M8, M9, M11, M13, M14, M15, M16, M17, M18, M19, M20, M21, M22, M23, M25)	M19 - DCH1200164BXXXAB
NS	0259L00512	HARNESS COND MOTOR (M1, M2, M3, M4, M5, M6, M7, M8, M9, M11, M13, M14, M15, M16, M17, M18, M19, M20, M21, M22, M23, M25)	M20 - DCH1200303BAXVAA
NS	0163M00004	SCREW #10X3/4", BLACK (QTY 4)	M21 - DCH1200303BH XOAA
NS	0163M00005P	WASHER, BLACK (.50 OD .218ID) (QTY 8)	M22 - DCH1200304BAXVAB
Image 2:			
12	0151R00071	REVERSING VALVE	M23 - DCH1200304BH XOAB
22	B1225022	SOLENOID COIL	M24 - DCH1200304BXXCAB
32	0130M00031	CUT-OUT SWITCH, HIGH PRESSURE	M25 - DCH1200453BHB TAA
42	0130L00003	CUT-OUT SWITCH, LOW PRESSURE	
52	B1219204	BI-FLOW FILTER DRIER	
62	0130L00002	CUT-OUT SWITCH, LOW PRESSURE (M12, M22)	
62	0130L00003	CUT-OUT SWITCH, LOW PRESSURE (M1, M2, M3, M4, M5, M6, M7, M8, M9, M10, M11, M13, M14, M15, M16, M17, M18, M19, M20, M21, M23, M24, M25)	
72	B1226207	ACCUMULATOR .875 (QTY 2)	
82	0130M00030	CUT-OUT SWITCH, HIGH PRESSURE	
212	0121L02129	BASE PAN, OUTDOOR	
222	0121L00944	BASE PAN-INDOOR	
232	0121L00359	SHIELD-EVAPORATOR DRIP	
NS	B1373315	ACCESS FITTING (QTY 4)	
NS	0163M00175	CAP WITH O-RING (QTY 4)	

Evaporator and Condenser Assembly

EVAPORATOR ASSEMBLY



CONDENSER COIL ASSEMBLY



Evaporator and Condenser Assembly

Ref. Part No: No:	Description:	Ref. Part No: No:	Description:
-------------------	--------------	-------------------	--------------

Image 1:

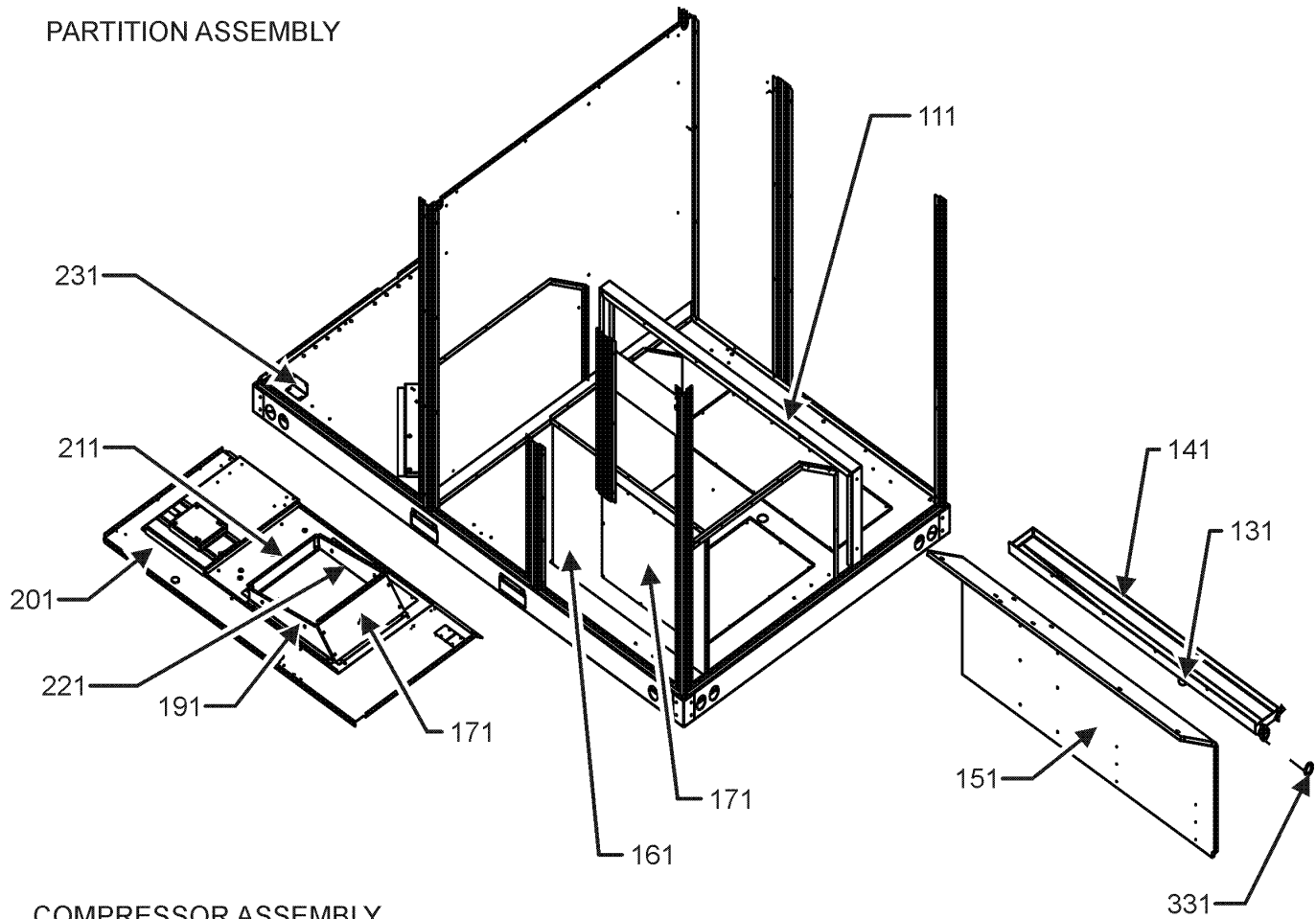
11	0201L00015	TUBING ASSY, COND COIL
21	0121L00650	FILTER ANGLE-VERTICAL (RETURN SIDE)
31	0121L00210	EVAP EXTENSION-RETURN SIDE
41	0121L00843	EVAP EXTENSION-HAIRPIN SIDE
51	0121L00649	FILTER ANGLE - HORIZONTAL (QTY 2)
61	0121L01257	FILTER ANGLE - VERTICAL
71	0121L00358	FILTER ANGLE-VERTICAL (HAIRPIN SIDE)
81	0202L00007	TUBING ASSY, EVAP COIL (M1, M2, M3, M4, M5, M6, M7, M8, M9, M10, M11, M12, M13, M14, M18, M19, M20, M21, M22, M23, M24, M25)
81	0202L00059	TUBING ASSY, EVAP COIL (M15, M16, M17)
171	0121L00168	BLOWER TRANSITION, RH END
191	0121L00092	BLOWER TRANSITION, FRONT
281	0130M00102	CONTROL, DEFROST
291	0130M00103	CONTROL, DEFROST
301	0201L00016	TUBING ASSY, COND COIL
NS	0160L00175	AIR FILTER 16 X 24 X 2 (QTY 4)

Expanded Model Nomenclature

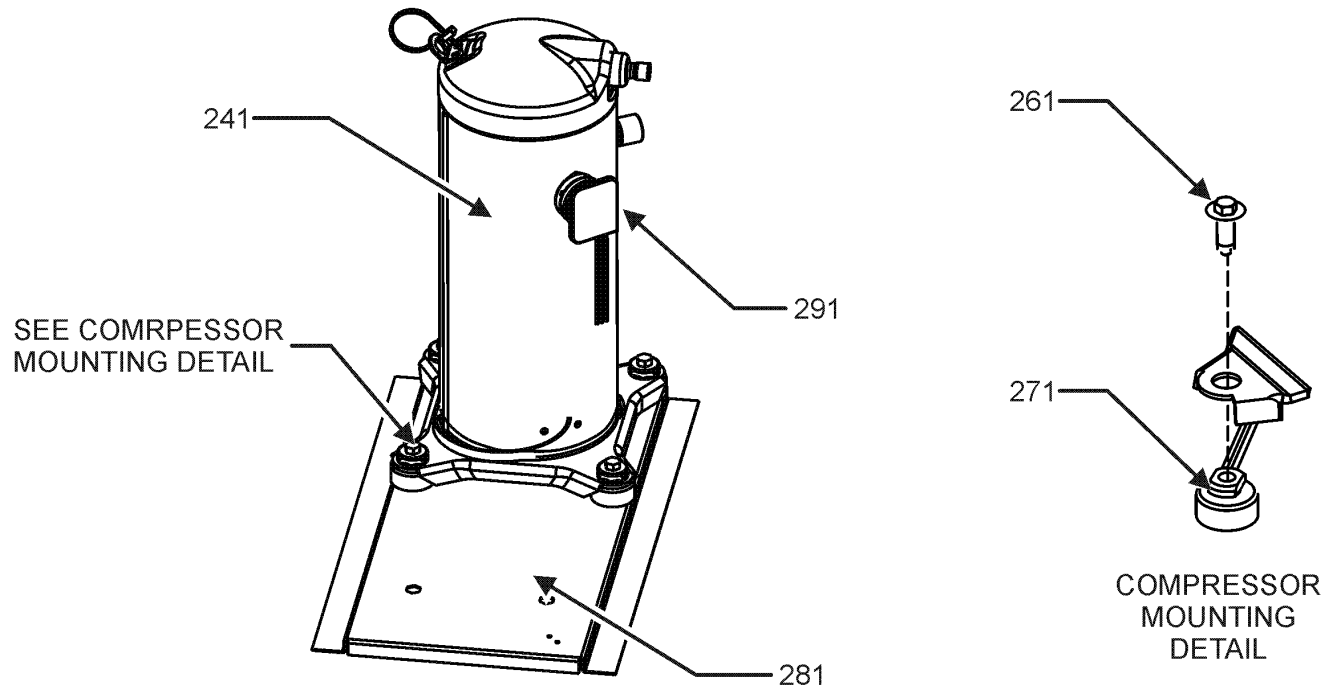
- M1 - DCH120XXX3BAXXAA
- M2 - DCH120XXX3BBXXAA
- M3 - DCH120XXX3BFDXAA
- M4 - DCH120XXX3BHDDAA
- M5 - DCH120XXX3BHXXAA
- M6 - DCH120XXX3BJXJAA
- M7 - DCH120XXX3BXXDAA
- M8 - DCH120XXX3BXXXAA
- M9 - DCH120XXX3BXXXAB
- M10 - DCH120XXX4BBXXAB
- M11 - DCH120XXX4BHXAAB
- M12 - DCH120XXX4BXXXAA
- M13 - DCH120XXX4BXXXAB
- M14 - DCH120XXX4BXXXAC
- M15 - DCH120XXX7BBXXAB
- M16 - DCH120XXX7BXXXAA
- M17 - DCH120XXX7BXXXAB
- M18 - DCH1200164BH XOAB
- M19 - DCH1200164BXXXAB
- M20 - DCH1200303BAXVAA
- M21 - DCH1200303BH XOAA
- M22 - DCH1200304BAXVAB
- M23 - DCH1200304BH XOAB
- M24 - DCH1200304BXXCAB
- M25 - DCH1200453BHBTAA

Partition and Compressor Assembly

PARTITION ASSEMBLY



COMPRESSOR ASSEMBLY



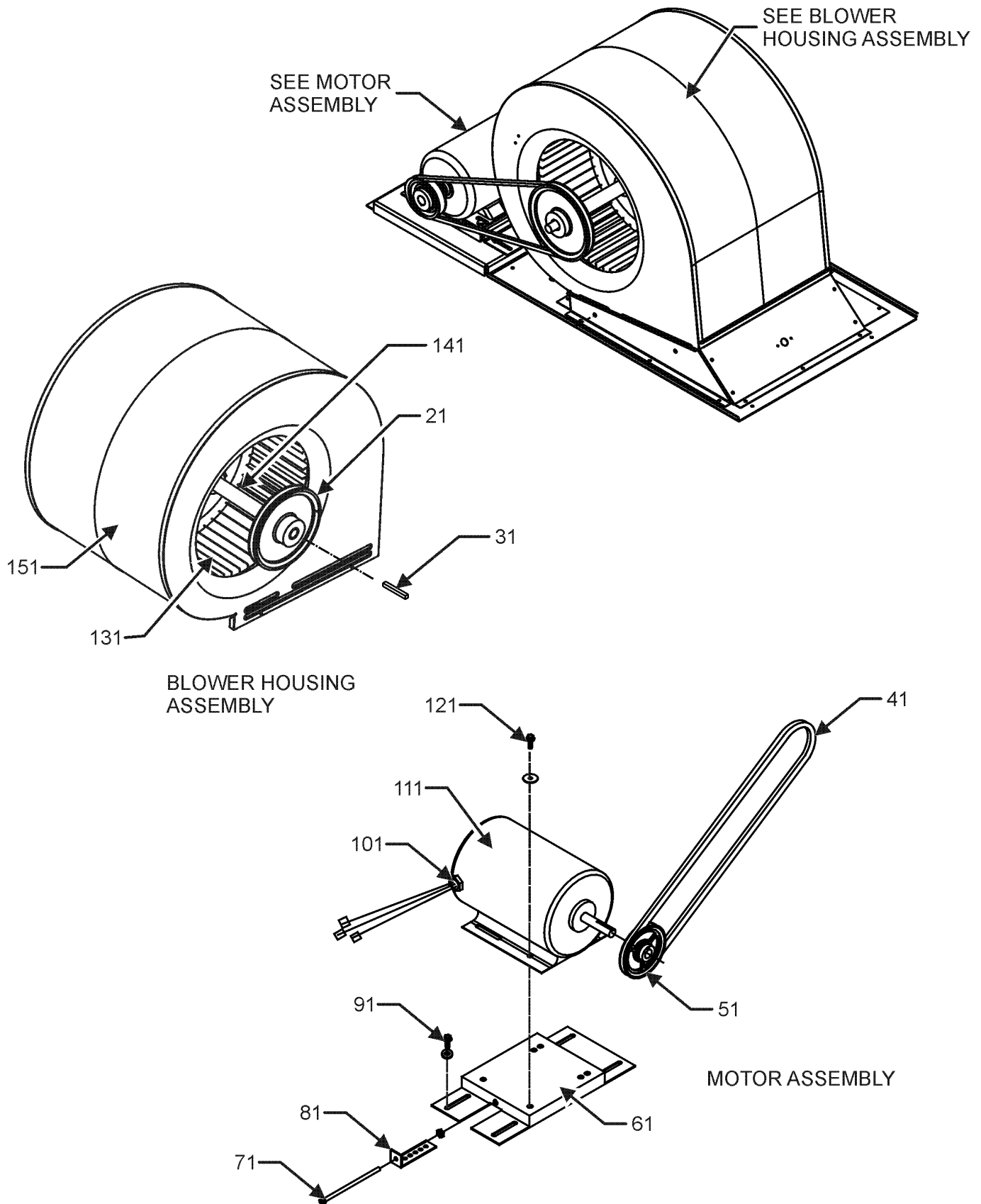
Partition and Compressor Assembly

Ref. Part No:	No:	Description:	Ref. Part No:	No:	Description:
Image 1:					
111	0121L00508	DRAIN PAN SUPPORT			
131	0163L00071	PLUG, DRAIN			
141	0161L00002	DRAIN PAN			
151	0121L00374	DECK SIDE CHANNEL			
161	0121L00365	ELECTRIC HEAT PANEL			
171	0121L00177	ELECTRIC HEAT COVER			
201	0121L02500	DECK-BLOWER			
211	0121L00169	BLOWER TRANSITION, LH END			
221	0121L00094	BLOWER TRANSITION, BACK			
231	0121L00513	BRACE-CONDENSER (QTY 2)			
241	ZP51K5ETFF5130	COMPRESSOR 51000, 208/230/60/3 (M1, M2, M3, M4, M5, M6, M7, M8, M9, M20, M21, M25)			
241	ZP51K5ETFD130	COMPRESSOR 51000, 460/60/3 (M10, M11, M12, M13, M14, M18, M19, M22, M23, M24)			
241	ZP51K5ETFE130	COMPRESSOR 51000, 575/60/3 (M15, M16, M17)			
261	M0221641	TF SHOULDER SCREW (QTY 8)			
271	B1339533	COMPRESSOR GROMMET (QTY 8)			
281	0121L02128	COMPRESSOR MOUNTING PLATE (QTY 2)			
291	0159L00066	COMPRESSOR SCROLL HARNESS			
291	0159L00067	COMPRESSOR SCROLL HARNESS			
331	0154L00009	DRAIN PAN GASKET			
NS	0121L01398	DECK, SUPPORT BLOWER (M3, M4)			
NS	0121L01402	DECK, SUPPORT CONTROL (M3, M4)			
NS	0121L00321	SMOKE DETECTOR COVER (QTY 2)			

Expanded Model Nomenclature

- M1 - DCH120XXX3BAXXAA
- M2 - DCH120XXX3BBXXAA
- M3 - DCH120XXX3BFDXAA
- M4 - DCH120XXX3BHDDAA
- M5 - DCH120XXX3BHXXAA
- M6 - DCH120XXX3BJXJAA
- M7 - DCH120XXX3BXXDAA
- M8 - DCH120XXX3BXXXAA
- M9 - DCH120XXX3BXXXAB
- M10 - DCH120XXX4BBXXAB
- M11 - DCH120XXX4BHXAAB
- M12 - DCH120XXX4BXXXAA
- M13 - DCH120XXX4BXXXAB
- M14 - DCH120XXX4BXXXAC
- M15 - DCH120XXX7BBXXAB
- M16 - DCH120XXX7BXXXAA
- M17 - DCH120XXX7BXXXAB
- M18 - DCH1200164BH XOAB
- M19 - DCH1200164B XXXAB
- M20 - DCH1200303BAXVAA
- M21 - DCH1200303BH XOAA
- M22 - DCH1200304BAXVAB
- M23 - DCH1200304BH XOAB
- M24 - DCH1200304BXXCAB
- M25 - DCH1200453BHBTAA

Blower Assembly



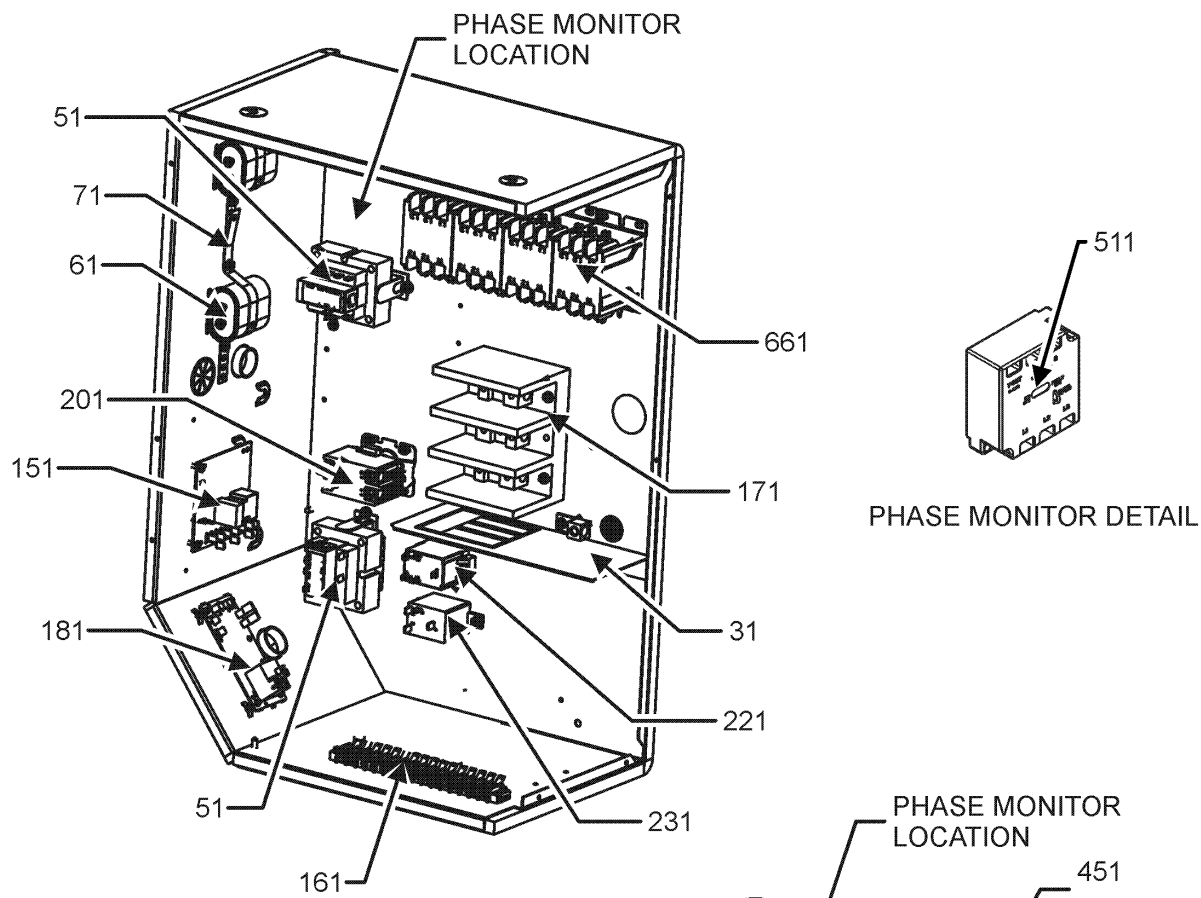
Blower Assembly

Ref. Part No: No:	Description:	Ref. Part No: No:	Description:
<i>Image 1:</i>			
21	0163L00134		SHEAVE, FIXED AK74H
31	B1398604		STEEL KEY (000158812) 2.0"
41	0164L00000		NOTCHED FAN BELT AX51
51	0163L00012		VARIABLE PITCH SHEAVE VL40
61	0270L00015		MOTOR BASE ASSY
71	0163M00045		BOLT 1/4-20 X 4"
81	3225000F		BELT TIGHTENER ANGLE
91	B1446707		SCREW 5/16-18 X 1" (QTY 4)
101	B1393726		ELECT. CONNECTING BUSHING
111	B3240006		BELT DRIVE MOTOR 2 HP (M1, M2, M3, M4, M5, M6, M7, M8, M9, M10, M11, M12, M13, M14, M18, M19, M20, M21, M22, M23, M24, M25)
111	0131L00005		BELT DRIVE MOTOR 2 HP 575 V (M15, M16, M17)
121	B1393738		BOLT 1/4-20 X 3/4" (QTY 4)
131	03-78497		BLOWER WHEEL
141	04-11526		BLOWER SHAFT
151	04-01526		BLOWER HOUSING
NS	04-02196		BEARING & FRAME ASSY
NS	0259L00008		MOTOR HARNESS-BELT DRIVE

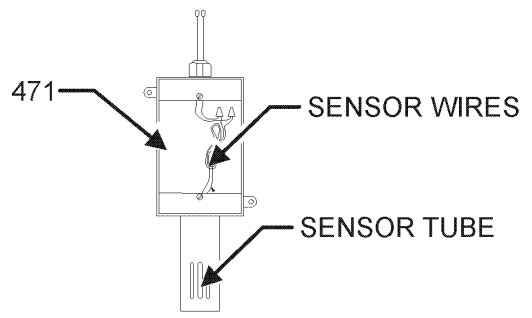
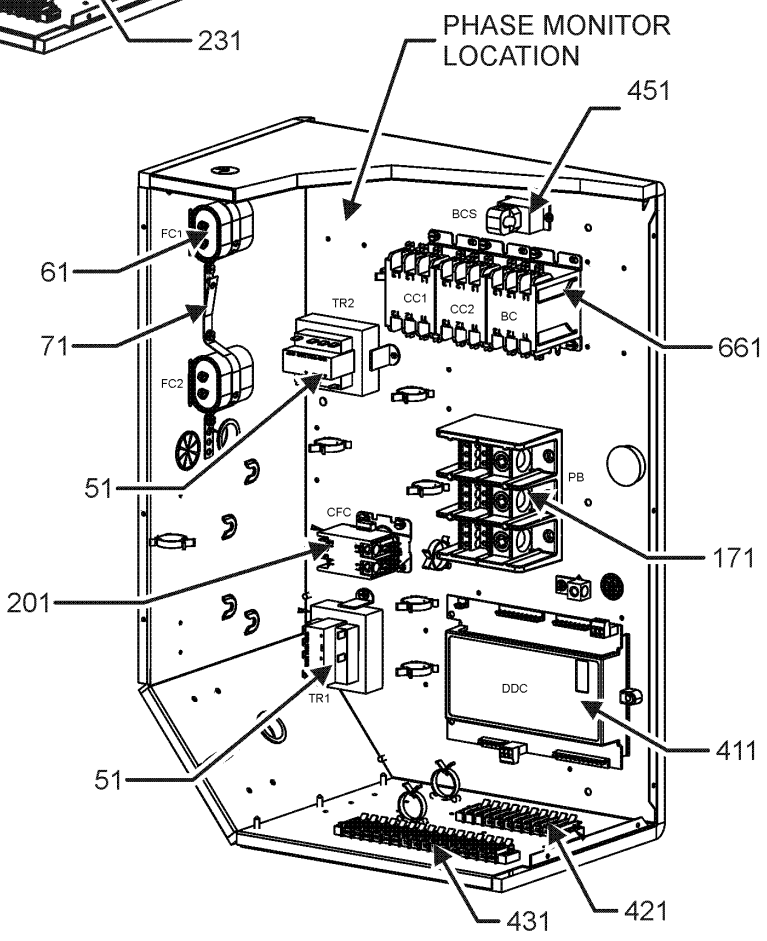
Expanded Model Nomenclature

M1 - DCH120XXX3BAXXAA
M2 - DCH120XXX3BBXXAA
M3 - DCH120XXX3BFDXAA
M4 - DCH120XXX3BHDDAA
M5 - DCH120XXX3BHXXAA
M6 - DCH120XXX3BJXJAA
M7 - DCH120XXX3BXXDAA
M8 - DCH120XXX3BXXXAA
M9 - DCH120XXX3BXXXAB
M10 - DCH120XXX4BBXXAB
M11 - DCH120XXX4BHXAAB
M12 - DCH120XXX4BXXXAA
M13 - DCH120XXX4BXXXAB
M14 - DCH120XXX4BXXXAC
M15 - DCH120XXX7BBXXAB
M16 - DCH120XXX7BXXXAA
M17 - DCH120XXX7BXXXAB
M18 - DCH1200164BH XOAB
M19 - DCH1200164BXXXAB
M20 - DCH1200303BAXVAA
M21 - DCH1200303BH XOAA
M22 - DCH1200304BAXVAB
M23 - DCH1200304BH XOAB
M24 - DCH1200304BXXCAB
M25 - DCH1200453BHBTAA

Control Box Assembly



CONTROL BOX FOR MODELS WITH DDC CONTROL



FRONT VIEW
OUTDOOR SENSOR DETAIL

Control Box Assembly

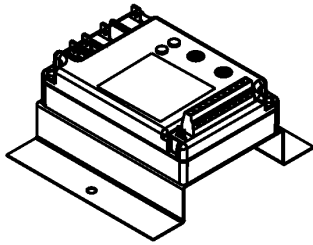
Ref. Part No: No:	Description:	Ref. Part No: No:	Description:																									
Image 1:		Image 1:																										
31 0121G00491	VOLTAGE BARRIER (M1, M4, M5, M6, M7, M8, M9, M11, M12, M13, M14, M16, M17, M18, M19, M20, M21, M22, M23, M24, M25)	NS 0259L00156	WIRE HARNESS ASSY																									
51 0130M00144	TRANSFORMER (M1, M2, M3, M4, M5, M6, M7, M8, M9, M20, M21, M25)	NS 0259L00158	WIRE HARNESS ASSY																									
51 0130M00145	TRANSFORMER 480V to 24V, 75VA (M10, M11, M12, M13, M14, M18, M19, M22, M23, M24)	NS 0259L00090	WIRE HARNESS-SMOKE DETECTOR (M4, M6, M7, M18, M20, M21, M22, M23, M25)																									
51 0130M00148	TRANSFORMER 575V to 24V, 75VA (M15, M16, M17)	NS 0259L00428	WIRE, HARNESS ASSY (M25)																									
61 CAP100000370LA	CAPACITOR 10/370V (M1, M2, M3, M4, M5, M6, M7, M8, M9, M10, M11, M13, M14, M18, M19, M20, M21, M22, M23, M24, M25)	Expanded Model Nomenclature																										
61 CAP030000440LA	CAPACITOR 3/440V (M15)	<table border="1"> <tr><td>M1 - DCH120XXX3BAXXAA</td></tr> <tr><td>M2 - DCH120XXX3BBXXAA</td></tr> <tr><td>M3 - DCH120XXX3BFDXAA</td></tr> <tr><td>M4 - DCH120XXX3BHDDAA</td></tr> <tr><td>M5 - DCH120XXX3BHXXAA</td></tr> <tr><td>M6 - DCH120XXX3BJXJAA</td></tr> <tr><td>M7 - DCH120XXX3BXXDAA</td></tr> <tr><td>M8 - DCH120XXX3BXXXAA</td></tr> <tr><td>M9 - DCH120XXX3BXXXAB</td></tr> <tr><td>M10 - DCH120XXX4BBXXAB</td></tr> <tr><td>M11 - DCH120XXX4BHXAAB</td></tr> <tr><td>M12 - DCH120XXX4BXXXAA</td></tr> <tr><td>M13 - DCH120XXX4BXXXAB</td></tr> <tr><td>M14 - DCH120XXX4BXXXAC</td></tr> <tr><td>M15 - DCH120XXX7BBXXAB</td></tr> <tr><td>M16 - DCH120XXX7BXXXAA</td></tr> <tr><td>M17 - DCH120XXX7BXXXAB</td></tr> <tr><td>M18 - DCH1200164BH XOAB</td></tr> <tr><td>M19 - DCH1200164BXXXAB</td></tr> <tr><td>M20 - DCH1200303BAXVAA</td></tr> <tr><td>M21 - DCH1200303BH XOOA</td></tr> <tr><td>M22 - DCH1200304BAXVAB</td></tr> <tr><td>M23 - DCH1200304BH XOAB</td></tr> <tr><td>M24 - DCH1200304BXX CAB</td></tr> <tr><td>M25 - DCH1200453BH BTAA</td></tr> </table>		M1 - DCH120XXX3BAXXAA	M2 - DCH120XXX3BBXXAA	M3 - DCH120XXX3BFDXAA	M4 - DCH120XXX3BHDDAA	M5 - DCH120XXX3BHXXAA	M6 - DCH120XXX3BJXJAA	M7 - DCH120XXX3BXXDAA	M8 - DCH120XXX3BXXXAA	M9 - DCH120XXX3BXXXAB	M10 - DCH120XXX4BBXXAB	M11 - DCH120XXX4BHXAAB	M12 - DCH120XXX4BXXXAA	M13 - DCH120XXX4BXXXAB	M14 - DCH120XXX4BXXXAC	M15 - DCH120XXX7BBXXAB	M16 - DCH120XXX7BXXXAA	M17 - DCH120XXX7BXXXAB	M18 - DCH1200164BH XOAB	M19 - DCH1200164BXXXAB	M20 - DCH1200303BAXVAA	M21 - DCH1200303BH XOOA	M22 - DCH1200304BAXVAB	M23 - DCH1200304BH XOAB	M24 - DCH1200304BXX CAB	M25 - DCH1200453BH BTAA
M1 - DCH120XXX3BAXXAA																												
M2 - DCH120XXX3BBXXAA																												
M3 - DCH120XXX3BFDXAA																												
M4 - DCH120XXX3BHDDAA																												
M5 - DCH120XXX3BHXXAA																												
M6 - DCH120XXX3BJXJAA																												
M7 - DCH120XXX3BXXDAA																												
M8 - DCH120XXX3BXXXAA																												
M9 - DCH120XXX3BXXXAB																												
M10 - DCH120XXX4BBXXAB																												
M11 - DCH120XXX4BHXAAB																												
M12 - DCH120XXX4BXXXAA																												
M13 - DCH120XXX4BXXXAB																												
M14 - DCH120XXX4BXXXAC																												
M15 - DCH120XXX7BBXXAB																												
M16 - DCH120XXX7BXXXAA																												
M17 - DCH120XXX7BXXXAB																												
M18 - DCH1200164BH XOAB																												
M19 - DCH1200164BXXXAB																												
M20 - DCH1200303BAXVAA																												
M21 - DCH1200303BH XOOA																												
M22 - DCH1200304BAXVAB																												
M23 - DCH1200304BH XOAB																												
M24 - DCH1200304BXX CAB																												
M25 - DCH1200453BH BTAA																												
61 CAP050000370LA	CAPACITOR 5/370V (M12, M16)																											
61 CAP050000440LA	CAPACITOR 5/440V (M17)																											
71 20520901	CAPACITOR STRAP (QTY 8)																											
151 PCBDM101	DEFROST CONTROL BOARD																											
161 0130M00038	TERMINAL BOARD (M1, M4, M5, M6, M7, M8, M9, M11, M12, M13, M14, M16, M17, M18, M19, M20, M21, M22, M23, M24, M25)																											
171 0130M00042	BLOCK, POWER																											
181 PCBFM103	ELECTRONIC BLOWER TIME DELAY (M1, M4, M5, M6, M7, M8, M9, M11, M12, M13, M14, M16, M17, M18, M19, M20, M21, M22, M23, M24, M25)																											
201 CONT2P040024V	CONTACTOR 40 AMP, 2P, 24V																											
221 10135604	RELAY																											
231 0130M00242	24V RELAY																											
411 PCBCG100	DDC Controller (M2, M3, M10, M15)																											
421 0130M00274	TERMINAL BOARD (M2, M3, M10, M15)																											
431 0130M00275	TERMINAL BOARD (M2, M3, M10, M15)																											
451 0259L00368	CURRENT SWITCH WITH TERMS (M2, M3, M10, M15)																											
471 0130L00108	OD Air Temp Sensor (M2, M3, M10, M15)																											
511 0130L00105	PHASE MONITOR (M25)																											
661 CONT3P025024V	CONTACTOR 25 AMP, 3P, 24V (QTY 3)																											
NS 0259L00386	ANALOG OUTPUT, DDC (M2, M3, M10, M15)																											
NS 0259L00303	COND FAN/TRANSFORMER HARNESS																											
NS 0259L00159	DEFROST BOARD HARNESS																											
NS 0259L00157	DEFROST RELAY HARNESS																											
NS 0130L00112	Duct Temp Sensor (M2, M3, M10, M15)																											
NS 0259L00165	ECONOMIZER HARNESS																											
NS 0259L00379	HARN, BINARY INPUT, DDC (M2, M3, M10, M15)																											
NS 0259L00382	HARN, CNTL PWR, DDC (M2, M3, M10, M15)																											
NS 0259L00385	HARN, CNTL, HEAT PLUG INTERCON (M2, M3, M10, M15)																											
NS 0259L00383	HARN, CNTL, TR1-TR2-CFC (M2, M3, M10, M15)																											
NS 0259L00377	HARN, RELAY OUTPUT DDC (M2, M3, M10, M15)																											
NS 0259L00092	HARNESS-SMOKE DETECTOR SENSOR (M4, M6, M7, M18, M20, M21, M22, M23, M25)																											
NS 0259L00032	LCM HARNESS, ELECTRIC HEAT																											
NS 0259L00378	REV VLV INTERCONNECT (M2, M3, M10, M15)																											
NS 0130L00107	ROOM SENSOR-OE213-G (M2, M3, M10, M15)																											
NS 0259L00428	WIRE ASSY (M25)																											
NS 0259L00447	WIRE ASSY (M25)																											
NS 0259L00502	WIRE HARNESS																											
NS 0259L00503	WIRE HARNESS (M2, M3, M10, M15)																											
NS 0259L00148	WIRE HARNESS ASSY																											
NS 0259L00150	WIRE HARNESS ASSY																											
NS 0259L00151	WIRE HARNESS ASSY																											

Accessory Part List

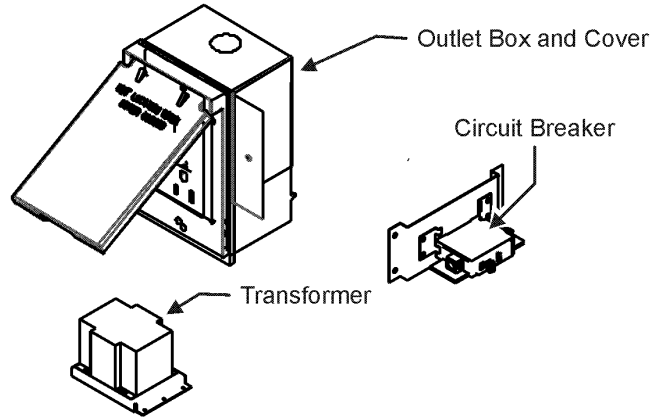
ACCESSORY PARTS LIST

NOTE: NOT ALL OPTIONS AVAILABLE FOR ALL PRODUCTS

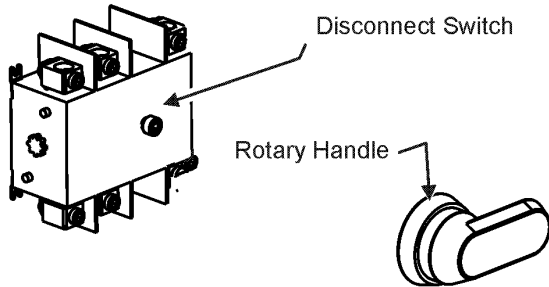
1 LOW AMBIENT KITS



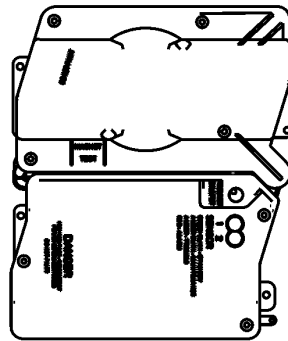
2 GFCI CONVENIENCE OUTLET



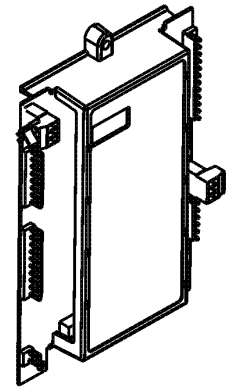
3 DISCONNECT MODULE (NON-FUSED)



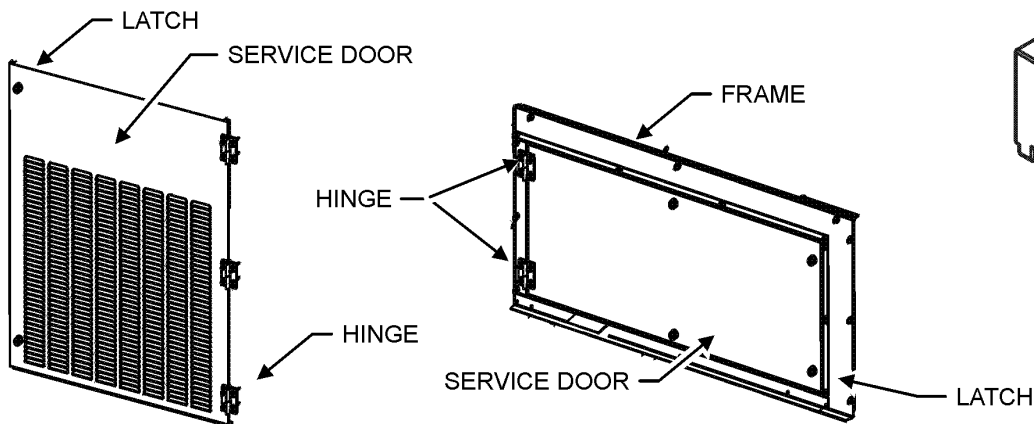
4 SMOKE DETECTORS



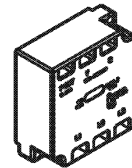
5 DDC CONTROL



6 HINGED DOOR ASSEMBLIES



7 PHASE MONITOR



Accessory Part List

Ref. Part No:	No:	Description:	Ref. Part No:	No:	Description:
<i>Image 1:</i>			Expanded Model Nomenclature		
NS	EHK4-16	15 KW 460/3 ELECTRIC HEAT (M18, M19)	M1	-	DCH120XXX3BAXXAA
NS	1036610B	7.5-12.5 TON DFLOW ECONOMIZER (M1, M6, M20, M22)	M2	-	DCH120XXX3BBXXAA
NS	10366D10B	7.5-12.5T DFLOW ECON, DDC (M3)	M3	-	DCH120XXX3BFDXAA
NS	0121L00316	BRACKET-CONV OUTLET MOUNT (M6, M11, M18, M21, M23, M25)	M4	-	DCH120XXX3BHDDAA
NS	0121L00768	BRACKET-SMOKE DETECTOR (M4, M6, M7, M18, M20, M21, M22, M23, M25)	M5	-	DCH120XXX3BHXXAA
NS	0130M00065	CIRCUIT BREAKER, CONVENIENCE OUTLET (M18, M21, M23, M25)	M6	-	DCH120XXX3BJXJAA
NS	0121L00973NG	DISCONNECT SWITCH COVER (M4, M5, M6, M11, M18, M21, M23, M25)	M7	-	DCH120XXX3BXXDAA
NS	0121L01397NG	DOOR FRAME, BLOWER (M3, M4)	M8	-	DCH120XXX3BXXXAA
NS	0121L01406NG	DOOR FRAME, CONTROL (M3, M4)	M9	-	DCH120XXX3BXXXAB
NS	0121L02481NG	DOOR, SERVICE, BACK, BLOWER (M3, M4)	M10	-	DCH120XXX4BBXXAB
NS	0121L02480NG	DOOR, SERVICE, FRONT, BLOWER (M3, M4)	M11	-	DCH120XXX4BHXAAB
NS	EHK3-30	ELECTRIC HEATER KIT (M20, M21)	M12	-	DCH120XXX4BXXXAA
NS	EHK3-45	ELECTRIC HEATER KIT (M25)	M13	-	DCH120XXX4BXXXAB
NS	EHK4-30	ELECTRIC HEATER KIT (M22, M23, M24)	M14	-	DCH120XXX4BXXXAC
NS	0130L00012	GANG BOX-GFCI OUTLET (M6, M11, M18, M21, M23, M25)	M15	-	DCH120XXX7BBXXAB
NS	0130L00039	HANDLE, ROTARY (M4, M5, M6, M11, M18, M21, M23, M25)	M16	-	DCH120XXX7BXXXAA
NS	0163M00307	HINGE, LEFT HAND (M3, M4)	M17	-	DCH120XXX7BXXXAB
NS	0163M00308	HINGE, RIGHT HAND (M3, M4)	M18	-	DCH1200164BH XOAB
NS	0163M00322	LATCH (M3, M4)	M19	-	DCH1200164BXXXAB
NS	0130M00059	LOW AMBIENT KIT (M20, M22, M24, M25)	M20	-	DCH1200303BAXVAA
NS	0121L02220NG	PNT, DOOR FRAME FILTER (M3, M4)	M21	-	DCH1200303BH XOAA
NS	0121L02223NG	PNT, SERVICE DOOR BACK FILTER (M3, M4)	M22	-	DCH1200304BAXVAB
NS	0121L02218NG	PNT, SERVICE DOOR FRONT FILTER (M3, M4)	M23	-	DCH1200304BH XOAB
NS	0161G00012	POWER OUTLET BOX (M6, M11, M18, M21, M23, M25)	M24	-	DCH1200304BXXCAB
NS	0130L00103	RECEPTACLE-GFCI OUTLET (M6, M11, M18, M21, M23, M25)	M25	-	DCH1200453BHBTAA
NS	0121L01404NG	SERVICE DOOR BACK, CONTROL (M3, M4)			
NS	0121L01403NG	SERVICE DOOR FRONT, CONTROL (M3, M4)			
NS	0130L00043	SHAFT, CUT (M4, M5, M6, M21, M25)			
NS	0130L00056	SHAFT, CUT (M11, M23)			
NS	0130L00057	SHAFT, CUT (M18)			
NS	0130L00049	SHAFT, DISCONNECT (M4, M5, M6, M11, M18, M21, M23, M25)			
NS	D4120	SMOKE DETECTOR, PHOTO 4WIRE (M4, M6, M7, M18, M20, M21, M22, M23, M25)			
NS	D4S	SMOKE DETECTOR, SENSOR ONLY (M6, M18, M21, M23, M25)			
NS	0130L00027	SWITCH-DISCONNECT 100A (M11, M23)			
NS	0130L00033	SWITCH-DISCONNECT 200A (M4, M5, M6, M21, M25)			
NS	0130L00046	SWITCH-DISCONNECT 60A (M18)			
NS	0130M00061	TRANSFORMER, CONVENIENCE OUTLET (M18, M21, M23, M25)			