

Commercial 7.5 Ton High Static Package Heat Pump

DCH0900163WVDXAA
DCH0900163WWBBAA
DCH090XXX3WJDGAA
DCH090XXX4WXXXAA



This manual is to be used by qualified technicians only.

This manual replaces RP-1204A.

Important Information

Index

Functional Parts List	3
Illustration and Parts	4 - 15

Views shown are for parts illustrations only, not servicing procedures

Text Codes:

AR - As Required

NA - Not Available

NS - Not Shown

00000000 - See Note

QTY - Quantity Example (QTY 3) (If Quantity not shown, Quantity = 1)

M - Model Example (M1) (If M Code not shown, then part is used on all Models)

Expanded Model Nomenclature:

Example M1 - Model#1 M2 - Model#2 M3 - Model#3

Daikin Company, L.P. is not responsible for personal injury or property damage resulting from improper service. Review all service information before beginning repairs.

Warranty service must be performed by an authorized technician, using authorized factory parts. If service is required after the warranty expires, Daikin Company, L.P. also recommends contacting an authorized technician and using authorized factory parts.

Daikin Company, L.P. reserves the right to discontinue, or change at any time, specifications or designs without notice or without incurring obligations.

For assistance within the U.S.A. contact:

Equipment Support
Daikin North America, LLC
19001 Kermier Road
Waller, Texas 77484
855-770-5678-Telephone
713-863-2382-Facsimile

For assistance outside the U.S.A. contact:

International Division
Daikin North America, LLC
19001 Kermier Road
Waller, Texas 77484
713-861-2500-Telephone
713-863-2382-Facsimile

Functional Parts

Part

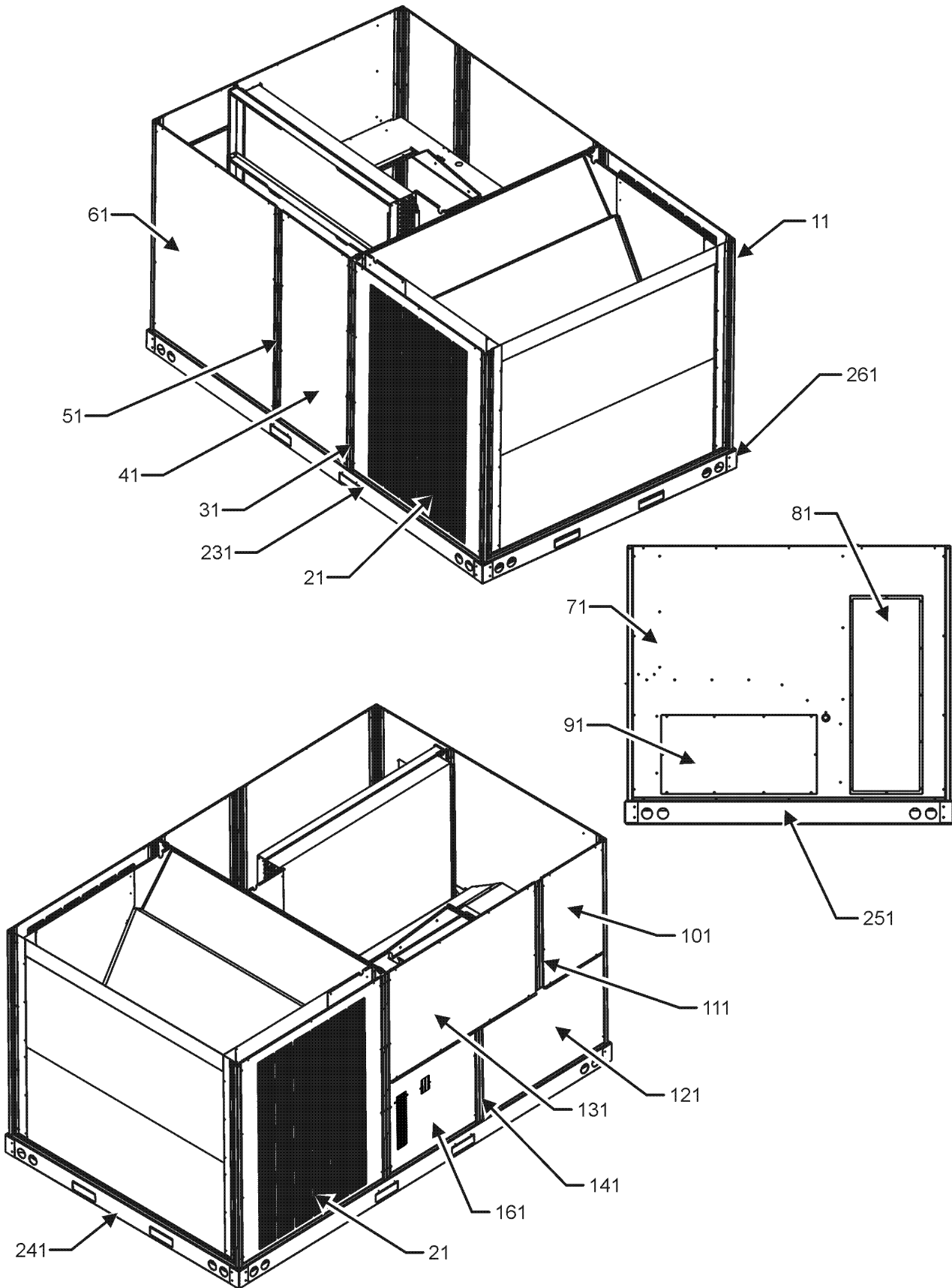
No: Description:

0130M00242	24V RELAY (QTY 3)
03-77429	BLOWER WHEEL
CAP050000370LA	CAP, 5 MFD/370V/OVAL (M1, M3, M4)
CAP075000370LA	CAP, 7.5 MFD/370V/OVAL (M2)
ZP39K5ETFD130	COMP, 39000, 460/60/3 (M2)
ZP39K5ETF5130	COMP, 39000,200/230/60/3 (M1, M3, M4)
CONT3P025024V	CONTACTOR 25 AMP, 3P, 24V (QTY 4)
CONT2P040024V	CONTACTOR 40 AMP, 2P, 24V
0130M00102	CONTROL, DEFROST
0130M00103	CONTROL, DEFROST
0130M00030	CUT-OUT SWITCH, HIGH PRESSURE
0130M00031	CUT-OUT SWITCH, HIGH PRESSURE
0130L00003	CUT-OUT SWITCH, LOW PRESSURE
0131L00041	MOTOR 2 HP BELT DRIVE 208-230V (M1, M3, M4)
0131L00043	MOTOR 2HP BELT DRIVE 460V (M2)
0131M00847	MOTOR, 1/4 HP, 1 SP, 6 PL (M1, M3, M4)
0131M00857	MOTOR, 380/460 50/60 HZ (M2)
0164L00001	NOTCHED FAN BELT AX49
PCBDM101	PCB, DEFROST CONTROL
PCBFM103	PCB, TIME DELAY, EBTDR
0130L00105	PHASE MONITOR (M4)
10135604	RELAY (QTY 4)
0151R00071	REVERSING VALVE
B1225022	SOLENOID COIL
0130M00038	TERMINAL BOARD
0130M00594	TRANSFORMER (M1, M3, M4)
0130M00595	TRANSFORMER, 75VA, 480V TO 24V (M2)

Expanded Model Nomenclature

M1 - DCH090XXX3WJDGAA
M2 - DCH090XXX4WXXXAA
M3 - DCH0900163WVDXAA
M4 - DCH0900163WWBBAA

Cabinet Assembly



Cabinet Assembly

Ref. Part No:	Part No:	Description:	Ref. Part No:	Part No:	Description:
---------------	----------	--------------	---------------	----------	--------------

Image 1:

11	0121L00065RFNG	CORNER POST (QTY 3)
11	0121L01407RFNG	CORNER POST (M1, M3)
21	0121L00511NG	LOUVERED SIDE PANEL (QTY 2)
31	0121L00738RFNG	SIDE POST (M2, M4)
31	0121L01400RFNG	SIDE POST (M1, M3)
41	0121L00737NG	FILTER DOOR
51	0121L00739RFNG	FILTER DOOR POST (M2, M4)
51	0121L01432RFNG	FILTER DOOR POST (M1, M3)
61	0121L00510NG	ECONOMIZER DOOR (M2)
71	0121L01364NG	DUCT PANEL (M2, M3)
71	0121L01365NG	DUCT PANEL (M1, M4)
81	0121L00082NG	COVER- DUCT RETURN
91	0121L00099NG	COVER-DUCT SUPPLY
101	0121L00974NG	CONTROL DOOR
111	0121L02303RFNG	PAINTED CONTROL POST
121	0121L00767NG	HEAT EXCHANGE DOOR
131	0121L00763NG	BLOWER DOOR
141	0121L00765RFNG	BURNER BOX POST
161	0121L00828NG	BURNER DOOR
231	0121L01099RF	RAIL, BASE SIDES RF (QTY 2)
241	0121L00834RF	RAIL-BASE COND END
251	0121L00071RF	RAIL, BASE DUCT END
261	0121G00301	RAIL CORNER BRACKET (QTY 4)
NS	0121L00055	BRACKET-FORK BOARD (QTY 4)
NS	0121L00727	ECONOMIZER COVER (M3, M4)
NS	0121L01310	ECONOMIZER COVER (M1)
NS	0141L00006X	FORK BOARD (QTY 2)
NS	0164L00009	GASKET-RUBBER, CPOST (QTY 3)
NS	0164L00011	GASKET-RUBBER, SIDE POST (QTY 5)

Expanded Model Nomenclature

M1 - DCH090XXX3WJDGAA
M2 - DCH090XXX4WXXXAA
M3 - DCH0900163WV DXAA
M4 - DCH0900163WWBBAA

Top Panel and Tubing Assembly

IMAGE 1

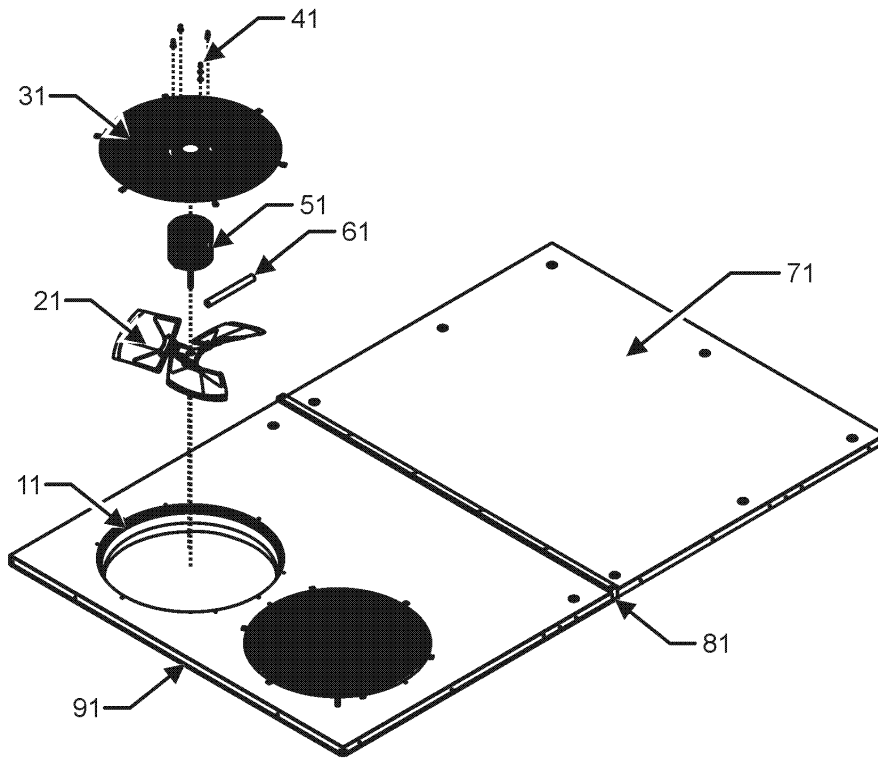
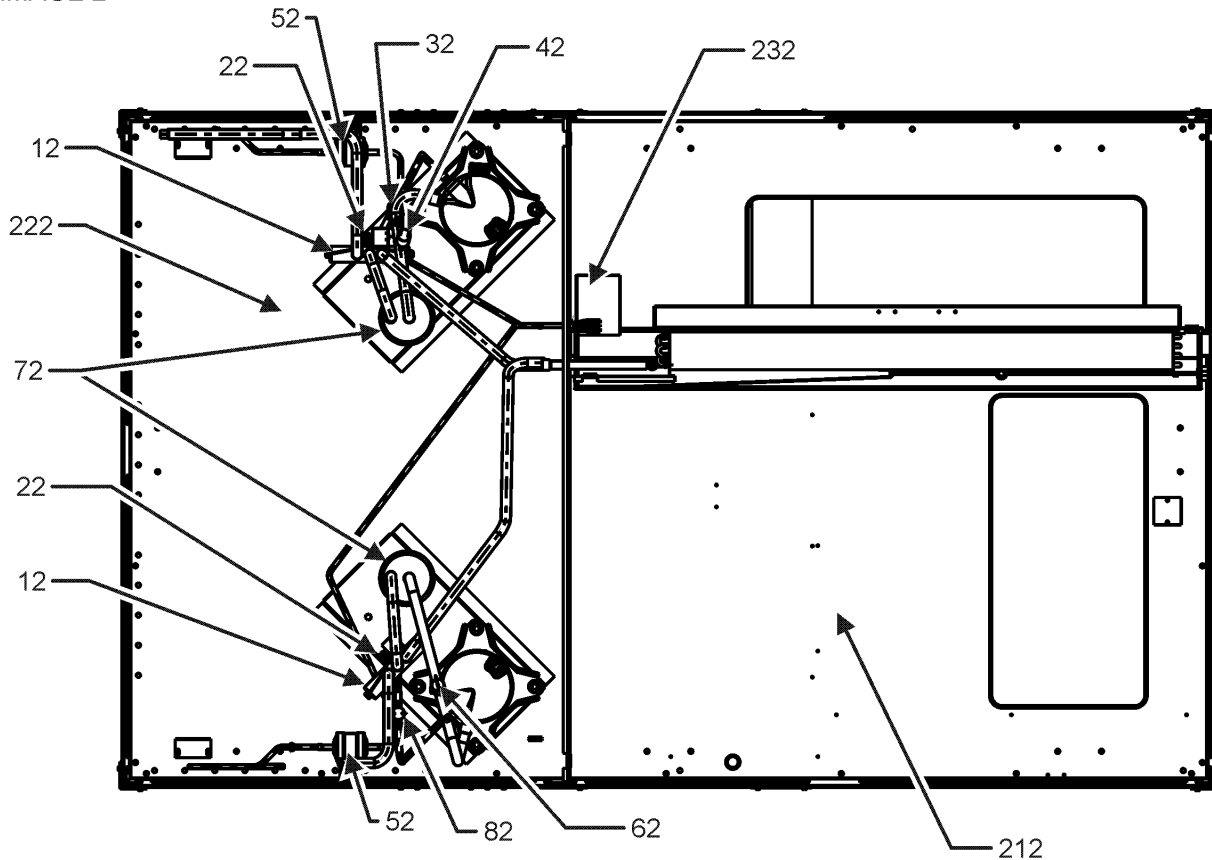


IMAGE 2



Top Panel and Tubing Assembly

Ref. Part No: No:	Description:	Ref. Part No: No:	Description:
-------------------	--------------	-------------------	--------------

Image 1:

11	0161L00000	VENTURI RING 22" (QTY 2)
21	0150G00001	FAN BLADE 22" ALUM CCW (QTY 2)
31	0152G00000	FAN GRILLE, RAISED (QTY 2)
41	0163M00006P	ACORN NUT 5/16 HEX BLACK (QTY 8)
51	0131M00847	MOTOR, 1/4 HP, 1 SP, 6 PL (M1, M3, M4)
51	0131M00857	MOTOR, 380/460 50/60 HZ (M2)
61	0161R00003P	CONDUIT (QTY 2)
71	0121L01119NG	PAINTED TOP PANEL INDOOR
81	20455902	SPLICE GASKET .50 X .25 (QTY 8)
91	0121L01118NG	PAINTED TOP PANEL OUTDOOR
NS	0163M00175	CAP WITH O-RING (QTY 4)
NS	0259L00511	HARNESS COND MOTOR
NS	0259L00512	HARNESS COND MOTOR
NS	0163M00004	SCREW #10X3/4", BLACK (QTY 22)
NS	0163M00005P	WASHER, BLACK (.50 OD .218ID) (QTY 8)

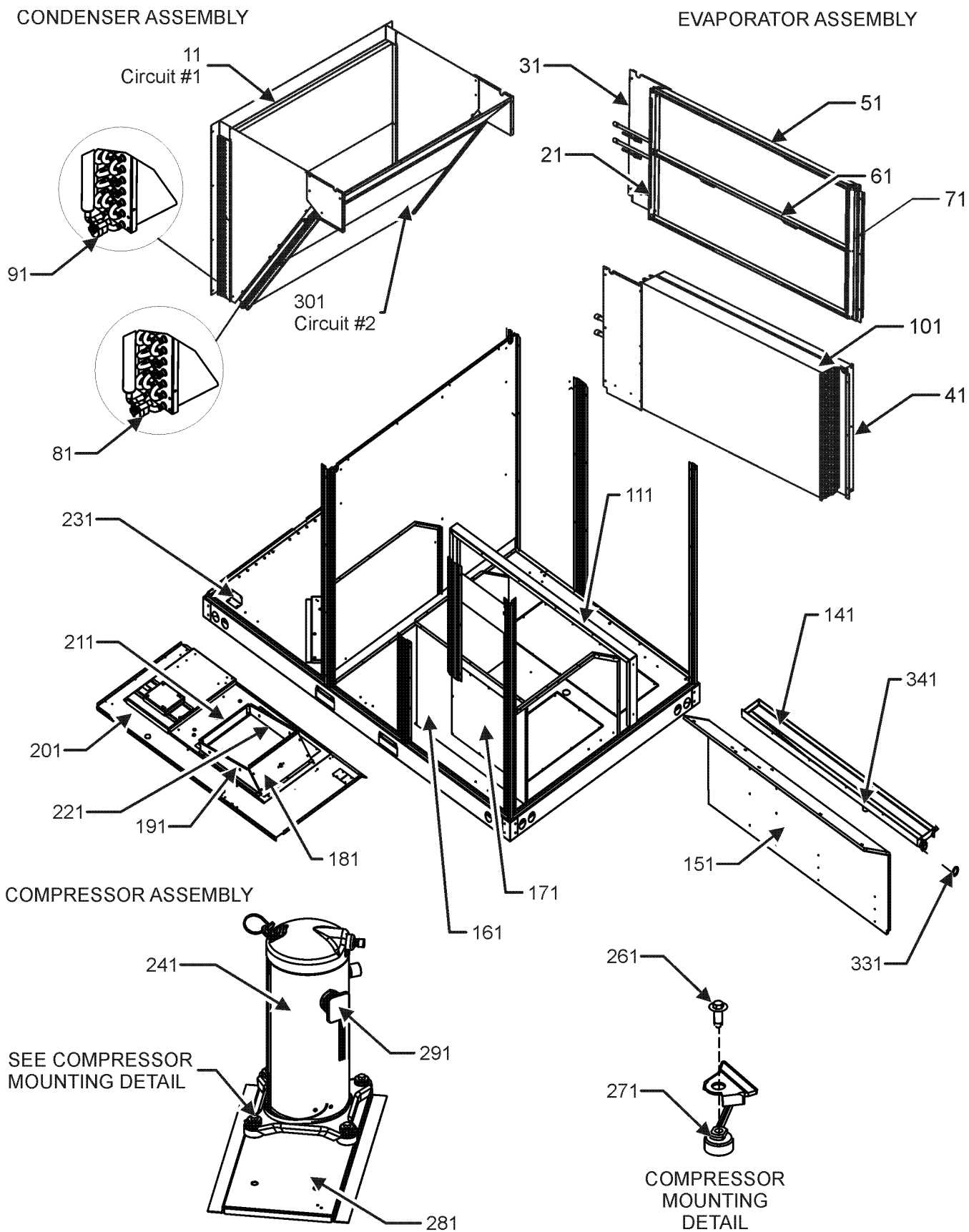
Image 2:

12	0151R00071	REVERSING VALVE
22	B1225022	SOLENOID COIL
32	0130M00031	CUT-OUT SWITCH, HIGH PRESSURE
42	0130L00003	CUT-OUT SWITCH, LOW PRESSURE
52	B1219204	BI-FLOW FILTER DRIER
62	0130L00003	CUT-OUT SWITCH, LOW PRESSURE
72	B1226207	ACCUMULATOR .875 (QTY 2)
82	0130M00030	CUT-OUT SWITCH, HIGH PRESSURE
212	0121L02129	BASE PAN, OUTDOOR
222	0121L00944	BASE PAN-INDOOR
232	0121L00359	SHIELD-EVAPORATOR DRIP
NS	B1373315	ACCESS FITTING (QTY 4)

Expanded Model Nomenclature

M1 - DCH090XXX3WJDGAA
M2 - DCH090XXX4WXXXAA
M3 - DCH0900163WV DXAA
M4 - DCH0900163WWBBAA

Condenser, Evaporator and Partition Assy



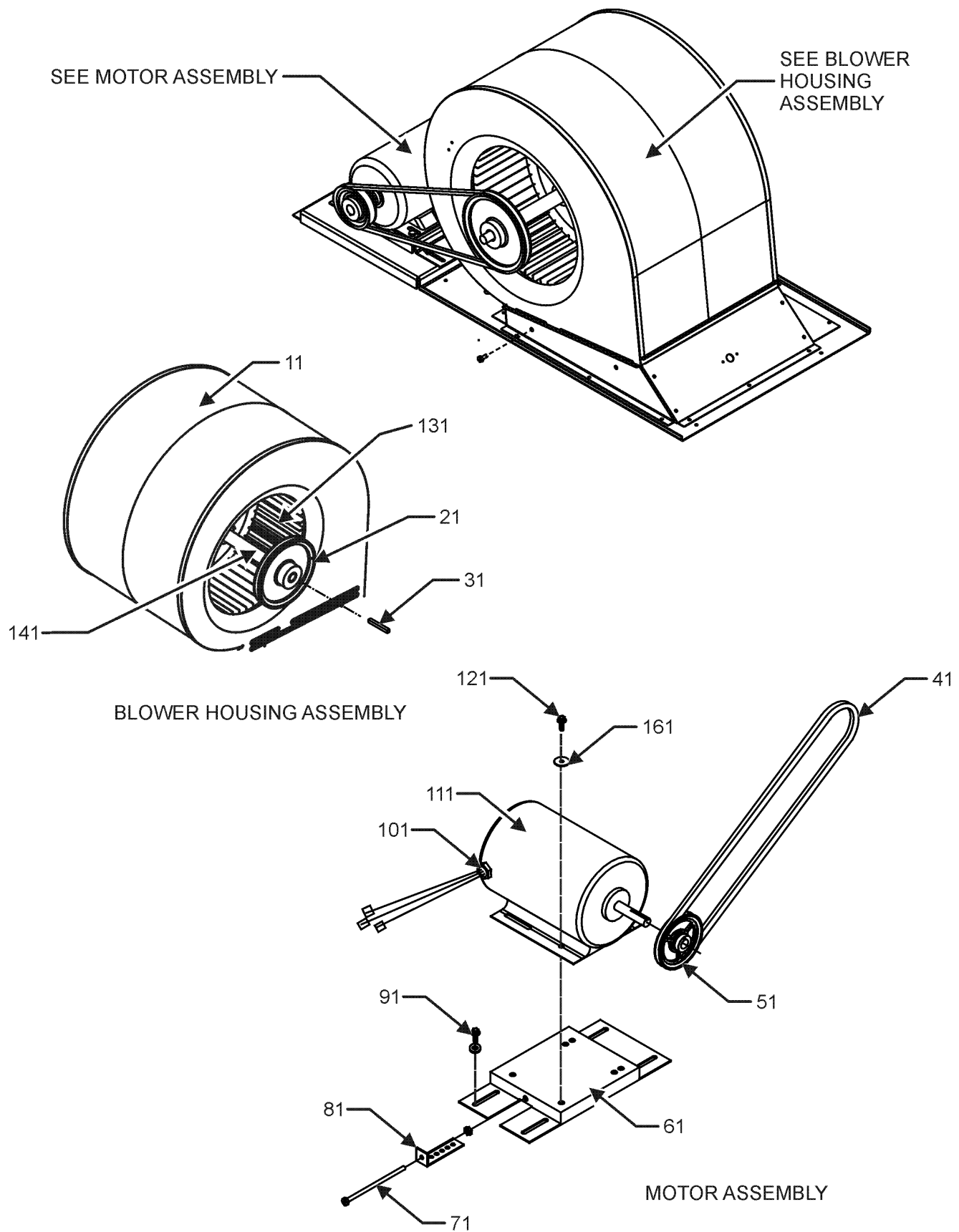
Condenser, Evaporator and Partition Assy

Ref. Part No: No:	Description:	Ref. Part No: No:	Description:
Image 1:			
11	0201L00002		TUBING ASSY, COND COIL (QTY 2)
21	0121L00650		FILTER ANGLE-VERTICAL (RETURN SIDE)
31	0121L00210		EVAP EXTENSION-RETURN SIDE
41	0121L00843		EXTENSION-EVAP HPIN
51	0121L00649		FILTER ANGLE - HORIZONTAL (QTY 2)
61	0121L01257		FILTER ANGLE - VERTICAL
71	0121L00358		FILTER ANGLE-VERTICAL (HAIRPIN SIDE)
81	0130M00102		CONTROL, DEFROST
91	0130M00103		CONTROL, DEFROST
101	0202L00004		TUBING ASSY, EVAP COIL
111	0121L02984		SUPPORT, PAN, DRAIN
141	0161L00002		DRAIN PAN
151	0121L00374		DECK SIDE CHANNEL
161	0121L00365		ELECTRIC HEAT PANEL
171	0121L00177		ELECTRIC HEAT COVER (M3, M4)
181	0121L00090		BLOWER TRANSITION, RH END
191	0121L00092		BLOWER TRANSITION, FRONT
201	0121L03117		DECK, BLOWER
211	0121L00097		BLOWER TRANSITION, LH END
221	0121L00145		BLOWER TRANSITION, BACK
231	0121L00513		BRACE-CONDENSER (QTY 2)
241	ZP39K5ETFD130		COMP, 39000, 460/60/3 (M2)
241	ZP39K5ETF5130		COMP, 39000,200/230/60/3 (M1, M3, M4)
261	M0221641		TF SHOULDER SCREW (QTY 8)
271	B1339533		COMPRESSOR GROMMET (QTY 8)
281	0121L02128		MOUNTING PLATE, COMP (QTY 2)
291	0159L00066		Harness, comp scroll
291	0159L00067		Harness, comp scroll
301	0201L00002		TUBING ASSY, COND COIL (QTY 2)
331	0154L00009		GASKET-DRAIN PAN
341	0163L00071		DRAIN PLUG
NS	0121L01398		DECK, SUPPORT BLOWER (M1, M3)
NS	0121L01402		DECK, SUPPORT CONTROL (M1, M3)
NS	0121L00321		SMOKE DETECTOR COVER (QTY 2)

Expanded Model Nomenclature

M1 - DCH090XXX3WJDGAA
M2 - DCH090XXX4WXXXAA
M3 - DCH0900163WV DXAA
M4 - DCH0900163WWBBAA

Blower Motor Assembly



Blower Motor Assembly

Ref. Part No:	Description:	Ref. Part No:	Description:
---------------	--------------	---------------	--------------

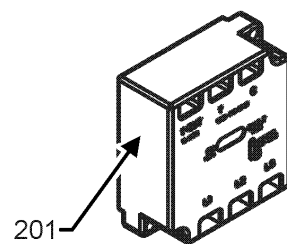
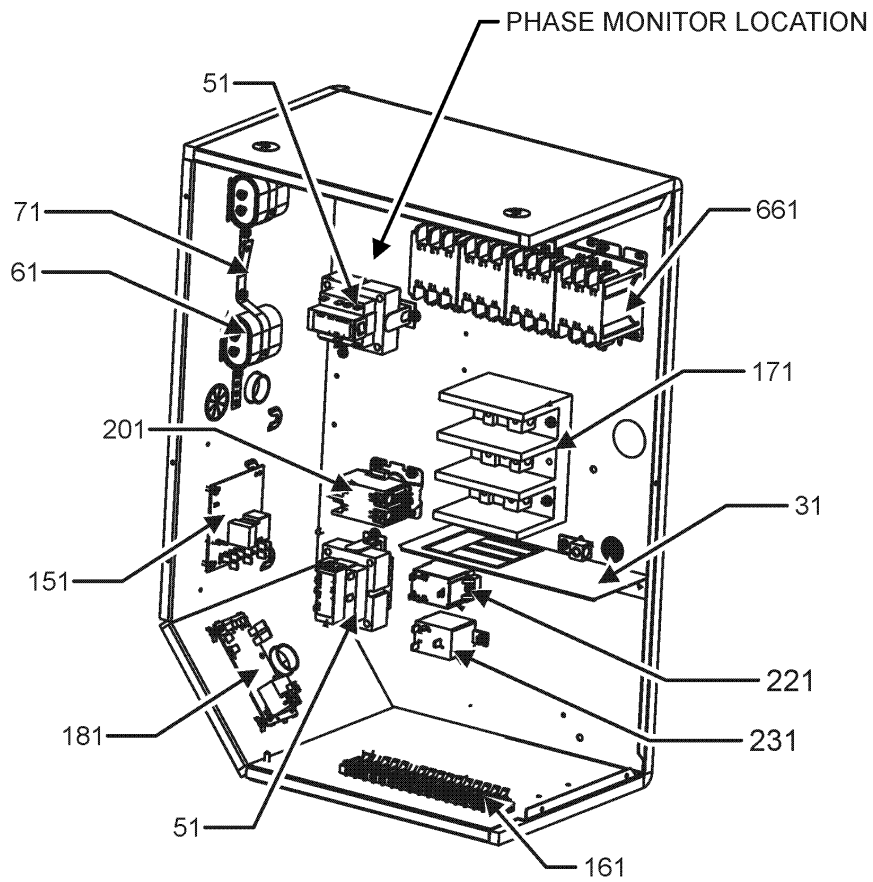
Image 1:

11	04-01525	BLOWER HOUSING
21	0163L00138	SHEAVE, FIXED AK61H
31	0163M00407	MACHINE KEY, SPECIAL
41	0164L00001	NOTCHED FAN BELT AX49
51	B2120014	SHEAVE VAR 1VL44 X 7/8
61	0270L00015	MOTOR BASE ASSY
71	0163M00045	BOLT 1/4-20 X 4"
81	3225000F	BELT TIGHTENER ANGLE
91	B1446707	SCREW 5/16-18 X 1" (QTY 4)
101	B1393726	ELECT. CONNECTING BUSHING
111	0131L00041	MOTOR 2 HP BELT DRIVE 208-230V (M1, M3, M4)
111	0131L00043	MOTOR 2HP BELT DRIVE 460V (M2)
121	B1393738	BOLT 1/4-20 X 3/4" (QTY 4)
131	03-77429	BLOWER WHEEL
141	04-11525	BLOWER SHAFT
161	B1392923	WASHER / FLAT (QTY 4)
NS	04-02196	BEARING & FRAME ASSY
NS	0259L00191	HARNESS, BELT DRIVE MOTOR

Expanded Model Nomenclature

M1 - DCH090XXX3WJDGAA
M2 - DCH090XXX4WXXXAA
M3 - DCH0900163WV DXAA
M4 - DCH0900163WWBBAA

Control Box Assembly



PHASE MONITOR DETAIL

Control Box Assembly

Ref. Part No: No:	Description:	Ref. Part No: No:	Description:
-------------------	--------------	-------------------	--------------

Image 1:

31	0121G00491	VOLTAGE BARRIER
51	0130M00594	TRANSFORMER (M1, M3, M4)
51	0130M00595	TRANSFORMER, 75VA, 480V TO 24V (M2)
61	CAP050000370LA	CAP, 5 MFD/370V/OVAL (M1, M3, M4)
61	CAP075000370LA	CAP, 7.5 MFD/370V/OVAL (M2)
71	20520901	CAPACITOR STRAP (QTY 2)
151	PCBDM101	PCB, DEFROST CONTROL
161	0130M00038	TERMINAL BOARD
171	0130M00042	BLOCK, POWER
181	PCBFM103	PCB, TIME DELAY, EBTDR
201	CONT2P040024V	CONTACTOR 40 AMP, 2P, 24V
221	10135604	RELAY (QTY 4)
231	0130M00242	24V RELAY (QTY 3)
301	0130L00105	PHASE MONITOR (M4)
661	CONT3P025024V	CONTACTOR 25 AMP, 3P, 24V (QTY 4)
NS	0259L00153	2 SPEED CONTROL HARNESS
NS	0259L00154	2 SPEED HP HARNESS
NS	0259L00155	2 SPEED RELAY HARNESS
NS	0259L00303	COND FAN/TRANSFORMER HARNESS
NS	0259L00159	DEFROST BOARD HARNESS
NS	0259L00157	DEFROST RELAY HARNESS
NS	0259L00165	ECONOMIZER HARNESS
NS	0259L00191	HARNESS, BELT DRIVE MOTOR
NS	0259L00032	LCM HARNESS, ELECTRIC HEAT
NS	0259L00427	WIRE ASSY (M4)
NS	0259L00428	WIRE ASSY (M4)
NS	0259L00502	WIRE HARNESS
NS	0259L00148	WIRE HARNESS ASSY
NS	0259L00149	WIRE HARNESS ASSY
NS	0259L00150	WIRE HARNESS ASSY
NS	0259L00151	WIRE HARNESS ASSY
NS	0259L00152	WIRE HARNESS ASSY
NS	0259L00156	WIRE HARNESS ASSY
NS	0259L00158	WIRE HARNESS ASSY

Expanded Model Nomenclature

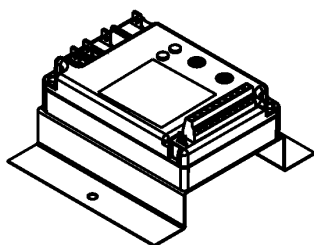
M1 - DCH090XXX3WJDGAA
M2 - DCH090XXX4WXXXAA
M3 - DCH0900163WV DXAA
M4 - DCH0900163WWBBAA

Accessory Parts List

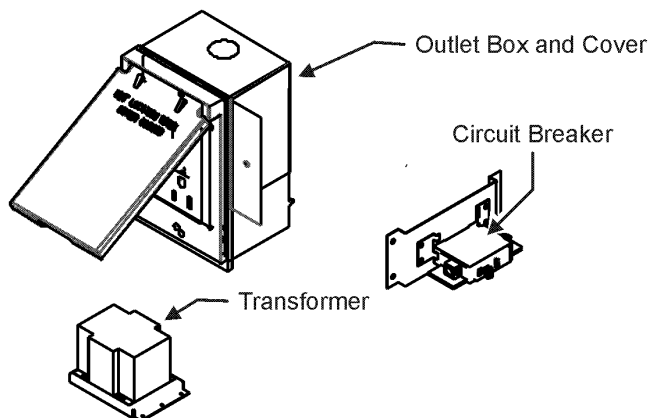
ACCESSORY PARTS LIST

NOTE: NOT ALL OPTIONS AVAILABLE FOR ALL PRODUCTS

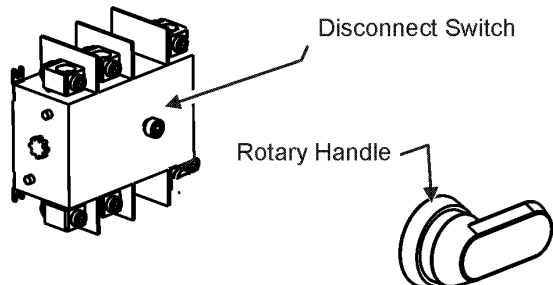
1 LOW AMBIENT KITS



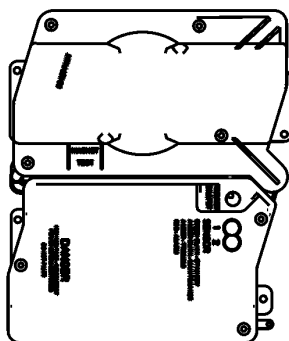
2 GFCI CONVENIENCE OUTLET



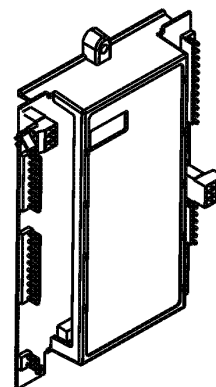
3 DISCONNECT MODULE (NON-FUSED)



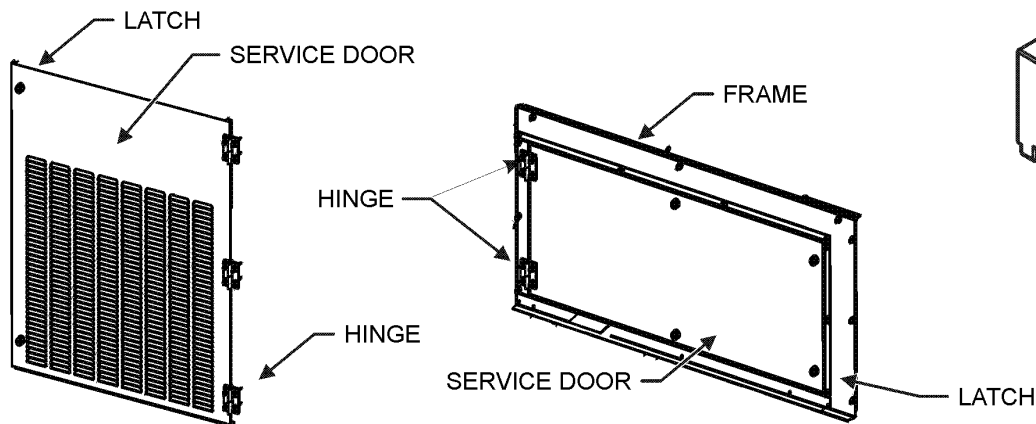
4 SMOKE DETECTORS



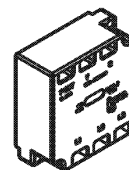
5 DDC CONTROL



6 HINGED DOOR ASSEMBLIES



7 PHASE MONITOR



Accessory Parts List

Ref. Part No:	Ref. Part No:	Description:	Description:
Image 1:			
NS EHK3-16		15 KW 208-230/3 ELECTRIC HEAT (M3, M4)	
NS DDNECNJ90150B		7.5-12.5 TON DFLOW ECON (M3, M4)	
NS 1036610B		7.5-12.5 TON DFLOW ECONOMIZER (M1)	
NS 0121L00316		BRACKET-CONV OUTLET MOUNT (M1, M4)	
NS 0121L00768		BRACKET-SMOKE DETECTOR (M1)	
NS 0130M00065		CIRCUIT BREAKER, CONVENIENCE OUTLET (M4)	
NS 0121L00973NG		DISCONNECT SWITCH COVER (M1, M4)	
NS 0121L01397NG		DOOR FRAME, BLOWER (M1, M3)	
NS 0121L01406NG		DOOR FRAME, CONTROL (M1, M3)	
NS 0121L02481NG		DOOR, SERVICE, BACK, BLOWER (M1, M3)	
NS 0121L02480NG		DOOR, SERVICE, FRONT, BLOWER (M1, M3)	
NS 0130L00012		GANG BOX-GFCI OUTLET (M1, M4)	
NS 0130L00039		HANDLE, ROTARY (M1, M4)	
NS 0163M00307		HINGE, LEFT HAND (M1, M3)	
NS 0163M00308		HINGE, RIGHT HAND (M1, M3)	
NS 0163M00322		LATCH (M1, M3)	
NS 0121L02220NG		PNT, DOOR FRAME FILTER (M1, M3)	
NS 0121L02223NG		PNT, SERVICE DOOR BACK FILTER (M1, M3)	
NS 0121L02218NG		PNT, SERVICE DOOR FRONT FILTER (M1, M3)	
NS 0161G00012		POWER OUTLET BOX (M1, M4)	
NS 0130L00103		RECEPTACLE-GFCI OUTLET (M1, M4)	
NS 0121L01404NG		SERVICE DOOR BACK, CONTROL (M1, M3)	
NS 0121L01403NG		SERVICE DOOR FRONT, CONTROL (M1, M3)	
NS 0130L00043		SHAFT, CUT (M1)	
NS 0130L00056		SHAFT, CUT (M4)	
NS 0130L00049		SHAFT, DISCONNECT (M1, M4)	
NS D4120		SMOKE DETECTOR, PHOTO 4WIRE (M1)	
NS 0130L00027		SWITCH-DISCONNECT 100A (M4)	
NS 0130L00033		SWITCH-DISCONNECT 200A (M1)	
NS 0130M00061		TRANSFORMER, CONVENIENCE OUTLET (M4)	

Expanded Model Nomenclature

- M1 - DCH090XXX3WJDGAA
- M2 - DCH090XXX4WXXXAA
- M3 - DCH0900163WV DXAA
- M4 - DCH0900163WWBBAA