

**Commercial 7.5 / 8.5 Ton 2-Speed Package Heat Pump**

DCH0900163VHXBAA  
DCH0900163VRXAAA  
DCH0900163VVDDAA  
DCH0900163VWBJAA  
DCH0900163VWXLAA  
DCH0900163VWXXAA  
DCH0900164VFXXAA  
DCH0900164VHBEAA  
DCH0900164VMDXAA  
DCH0900303VRMMAA  
DCH0900303VWXAAA  
DCH0900304VJXF AA  
DCH090XXX3V1DDAA  
DCH090XXX3V2PDAA  
DCH090XXX3VFDXAA  
DCH090XXX3VVDDAA  
DCH090XXX3VVDXAA  
DCH090XXX3VWXDAA  
DCH090XXX3VXXDAA  
DCH090XXX3VXXBAA  
DCH090XXX3VXXNAA  
DCH090XXX3VXXXAA  
DCH090XXX4VFXXAA  
DCH090XXX4VHXNAA  
DCH090XXX4VXXXAA  
DCH090XXX7VXXXAA  
DCH102XXX3VXXXAA  
DCH102XXX4VXXXAA  
DCH102XXX7VXXXAA



This manual is to be used by qualified technicians only.

This manual replaces RP-D1049K.

# Important Information

---

## Index

|                              |        |
|------------------------------|--------|
| Functional Parts List .....  | 3      |
| Illustration and Parts ..... | 4 - 15 |

*Views shown are for parts illustrations only, not servicing procedures*

### Text Codes:

AR - As Required

NA - Not Available

NS - Not Shown

00000000 - See Note

QTY - Quantity Example (QTY 3) (If Quantity not shown, Quantity = 1)

M - Model Example (M1) (If M Code not shown, then part is used on all Models)

### Expanded Model Nomenclature:

|   |
|---|
| Example<br>M1 - Model#1<br>M2 - Model#2<br>M3 - Model#3 |
|---|

Daikin Company, L.P. is not responsible for personal injury or property damage resulting from improper service. Review all service information before beginning repairs.

Warranty service must be performed by an authorized technician, using authorized factory parts. If service is required after the warranty expires, Daikin Company, L.P. also recommends contacting an authorized technician and using authorized factory parts.

Daikin Company, L.P. reserves the right to discontinue, or change at any time, specifications or designs without notice or without incurring obligations.

For assistance within the U.S.A. contact:

Equipment Support  
Daikin North America, LLC  
19001 Kermier Road  
Waller, Texas 77484  
855-770-5678-Telephone  
713-863-2382-Facsimile

For assistance outside the U.S.A. contact:

International Division  
Daikin North America, LLC  
19001 Kermier Road  
Waller, Texas 77484  
713-861-2500-Telephone  
713-863-2382-Facsimile

# Functional Parts

## Part

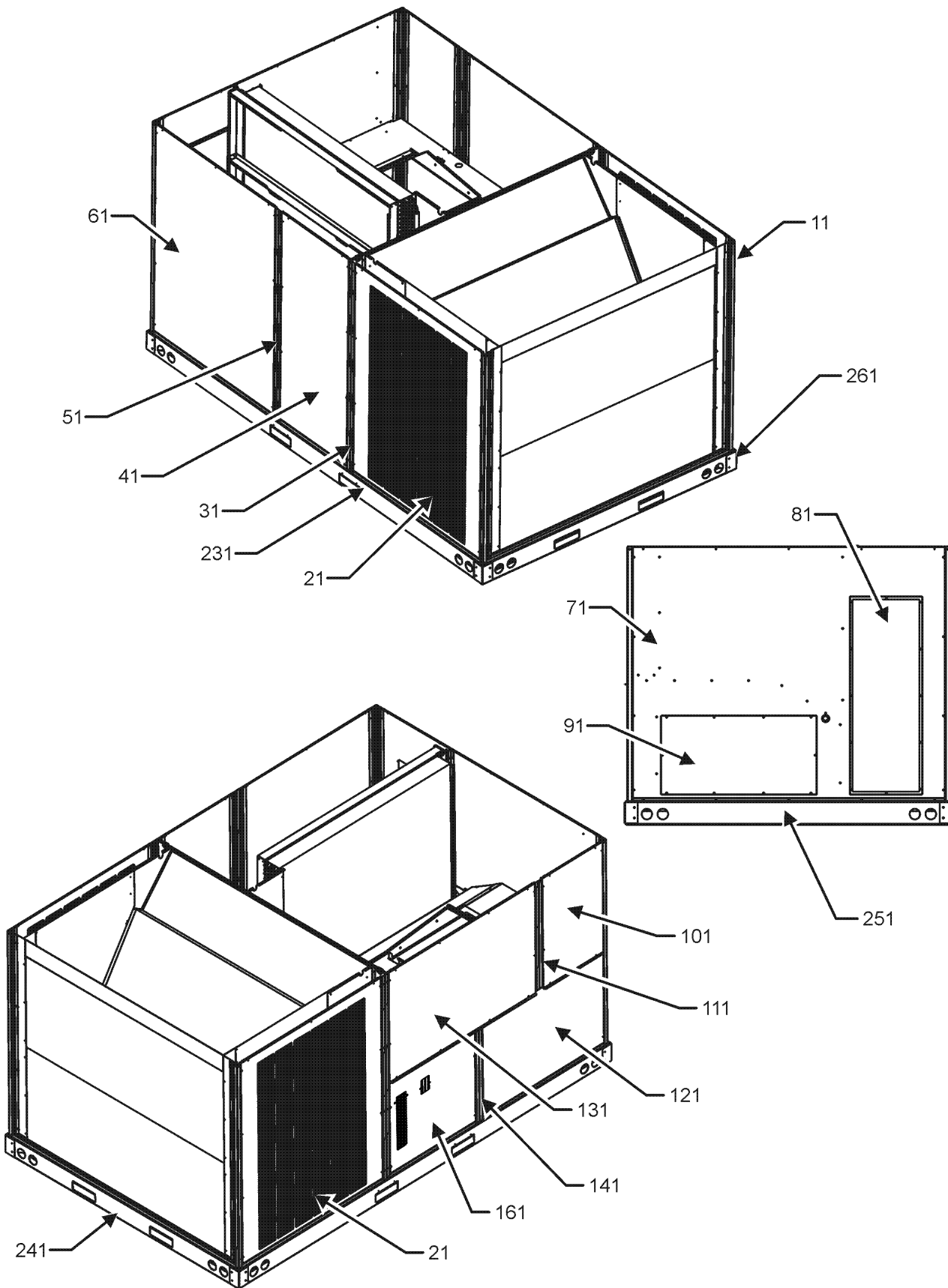
### No: Description:

| Part No:       | Description:  | 0130M00598 | TRANSFORMER, 75VA, 575V TO 24V (M14, M29) |
|----------------|---|------------|---|
| 0130M00242     | 24V RELAY (QTY 3)   |            |   |
| 03-77429       | BLOWER WHEEL  |            |   |
| CAP030000440LA | CAPACITOR 3/440V (M14, M29)   |            |   |
| CAP050000370LA | CAPACITOR 5/370V (M1, M2, M3, M4, M5, M6, M7, M8, M9, M10, M15, M16, M17, M18, M19, M20, M24, M25, M27)               |            |   |
| CAP075000370LA | CAPACITOR 7.5/370V (M11, M12, M13, M21, M22, M23, M26, M28)   |            |   |
| ZP39K5ETFD130  | COMP, 39000, 460/60/3 (M11, M12, M13, M21, M22, M23, M26)   |            |   |
| ZP39K5ETF5130  | COMP, 39000,200/230/60/3 (M1, M2, M3, M4, M5, M6, M7, M8, M9, M10, M15, M16, M17, M18, M19, M20, M24, M25)            |            |   |
| ZP39K5ETFE130  | COMP, 39000,575/60/3 (M14)  |            |   |
| 0131M00431     | COND MOTOR 575V (M14, M29)  |            |   |
| CONT3P025024V  | CONTACTOR 25 AMP, 3P, 24V (QTY 4)   |            |   |
| CONT2P040024V  | CONTACTOR 40 AMP, 2P, 24V   |            |   |
| 0130M00103     | CONTROL, DEFROST  |            |   |
| 0130M00102     | CONTROL, DEFROST  |            |   |
| 0130M00030     | CUT-OUT SWITCH, HIGH PRESSURE   |            |   |
| 0130M00031     | CUT-OUT SWITCH, HIGH PRESSURE   |            |   |
| 0130L00003     | CUT-OUT SWITCH, LOW PRESSURE  |            |   |
| 0130L00112     | Duct Temp Sensor (M1, M11, M16, M21, M23, M24)  |            |   |
| 0131L00041     | MOTOR 2 HP BELT DRIVE 208-230V (M1, M2, M3, M4, M5, M6, M7, M8, M9, M10, M15, M16, M17, M18, M19, M20, M24, M25, M27) |            |   |
| 0131L00043     | MOTOR 2HP BELT DRIVE 460V (M11, M12, M13, M21, M22, M23, M26, M28)  |            |   |
| 0131L00042     | MOTOR 2HP BELT DRIVE 575V (M14, M29)  |            |   |
| 0131M00847     | MOTOR, 1/4 HP, 1 SP, 6 PL (M1, M2, M3, M4, M5, M6, M7, M8, M9, M10, M15, M16, M17, M18, M20, M24, M25, M27)           |            |   |
| 0131L00061     | MOTOR, 1/4 HP, 1SP, 6PL (M19)   |            |   |
| 0131M00857     | MOTOR, 380/460 50/60 HZ (M11, M12, M13, M21, M22, M23, M28)   |            |   |
| 0131L00062     | MOTOR, COND, 1/4 HP, 460V (M26)   |            |   |
| 0164L00000     | NOTCHED FAN BELT AX51   |            |   |
| 0130L00108     | OD Air Temp Sensor (M1, M11, M16, M21, M23, M24)  |            |   |
| PCBCG103       | PCB, CONTROL, HP, GAS, AC (M1, M11, M16, M21, M23, M24)   |            |   |
| PCBDM101       | PCB, DEFROST CONTROL  |            |   |
| PCBFM103       | PCB, TIME DELAY, EBTDR  |            |   |
| 0130L00105     | PHASE MONITOR (M18, M22, M24)   |            |   |
| 10135604       | RELAY (QTY 4)   |            |   |
| RS400          | REMOTE SENSOR (M9, M10)   |            |   |
| 0151R00071     | REVERSING VALVE   |            |   |
| 0130L00107     | ROOM SENSOR-OE213-G (M1, M11, M16, M21, M23, M24)   |            |   |
| B1225022       | SOLENOID COIL   |            |   |
| ECP400-5       | SURVEYOR ECP (M9, M10)  |            |   |
| 0130M00274     | TERMINAL BOARD (M1, M11, M16, M21, M23, M24)  |            |   |
| 0130M00038     | TERMINAL BOARD  |            |   |
| 0130M00275     | TERMINAL BOARD (M1, M11, M16, M21, M23, M24)  |            |   |
| 0130M00594     | TRANSFORMER (M1, M2, M3, M4, M5, M6, M7, M8, M9, M10, M15, M16, M17, M18, M19, M20, M24, M25, M27)                    |            |   |
| 0130M00595     | TRANSFORMER, 75VA, 480V TO 24V (M11, M12, M13, M21, M22, M23, M26, M28)   |            |   |

### Expanded Model Nomenclature

|                        |
|------------------------|
| M1 - DCH090XXX3VFDXAA  |
| M2 - DCH090XXX3VVDDAA  |
| M3 - DCH090XXX3VVDXAA  |
| M4 - DCH090XXX3VWXDAA  |
| M5 - DCH090XXX3VXXDAA  |
| M6 - DCH090XXX3VXXBAA  |
| M7 - DCH090XXX3VXXNAA  |
| M8 - DCH090XXX3VXXXAA  |
| M9 - DCH090XXX3V1DDAA  |
| M10 - DCH090XXX3V2PDAA |
| M11 - DCH090XXX4VFXAA  |
| M12 - DCH090XXX4VHXNAA |
| M13 - DCH090XXX4VXXXAA |
| M14 - DCH090XXX7VXXXAA |
| M15 - DCH0900163VHXBAA |
| M16 - DCH0900163VRXAAA |
| M17 - DCH0900163VVDDAA |
| M18 - DCH0900163VWBJAA |
| M19 - DCH0900163VWXLAA |
| M20 - DCH0900163VWXXAA |
| M21 - DCH0900164VFXAA  |
| M22 - DCH0900164VHBAAA |
| M23 - DCH0900164VMDXAA |
| M24 - DCH0900303VRMMAA |
| M25 - DCH0900303VWXXAA |
| M26 - DCH0900304VJXFAA |
| M27 - DCH102XXX3VXXXAA |
| M28 - DCH102XXX4VXXXAA |
| M29 - DCH102XXX7VXXXAA |

# Cabinet Assembly



# Cabinet Assembly

| Ref. Part No:   | Ref. Part No:  | Description:  | Description:           |
|-----------------|----------------|---|------------------------|
| <b>Image 1:</b> |                | <b>Expanded Model Nomenclature</b>  |                        |
| 11              | 0121L00065RFNG | CORNER POST (QTY 3)   | M1 - DCH090XXX3VFDXAA  |
| 11              | 0121L01407RFNG | CORNER POST (M1, M2, M3, M5, M9, M10, M17, M23, M24)  | M2 - DCH090XXX3VVDAA   |
| 21              | 0121L00511NG   | LOUVERED SIDE PANEL (QTY 2)   | M3 - DCH090XXX3VVDXAA  |
| 31              | 0121L00738RFNG | SIDE POST (M4, M6, M7, M8, M11, M12, M13, M14, M15, M16, M18, M19, M20, M21, M22, M25, M26, M27, M28, M29)                | M4 - DCH090XXX3VWXDAA  |
| 31              | 0121L01400RFNG | SIDE POST (M1, M2, M3, M5, M9, M10, M17, M23, M24)  | M5 - DCH090XXX3VVDXAA  |
| 41              | 0121L00737NG   | FILTER DOOR   | M6 - DCH090XXX3VXXBAA  |
| 51              | 0121L00739RFNG | FILTER DOOR POST (M4, M6, M7, M8, M11, M12, M13, M14, M15, M16, M18, M19, M20, M21, M22, M25, M26, M27, M28, M29)         | M7 - DCH090XXX3VXXNAA  |
| 51              | 0121L01432RFNG | FILTER DOOR POST (M1, M2, M3, M5, M17, M23, M24)  | M8 - DCH090XXX3VXXXAA  |
| 51              | 0121L00116RFNG | SIDE POST (M9, M10)   | M9 - DCH090XXX3V1DDAA  |
| 61              | 0121L00510NG   | ECONOMIZER DOOR (M1, M5, M6, M7, M8, M9, M11, M12, M13, M14, M15, M16, M21, M22, M23, M24, M27, M28, M29)                 | M10 - DCH090XXX3V2PDAA |
| 71              | 0121L01364NG   | DUCT PANEL (M1, M2, M3, M5, M6, M7, M8, M10, M11, M13, M14, M17, M21, M27, M28, M29)                                      | M11 - DCH090XXX4VFXAA  |
| 71              | 0121L01365NG   | DUCT PANEL (M4, M9, M20, M22, M23)  | M12 - DCH090XXX4VHXNAA |
| 71              | 0121L01366NG   | DUCT PANEL (M12, M15, M16, M18, M19, M24, M25, M26)   | M13 - DCH090XXX4VXXXAA |
| 81              | 0121L00082NG   | COVER- DUCT RETURN  | M14 - DCH090XXX7VXXXAA |
| 91              | 0121L00099NG   | COVER-DUCT SUPPLY   | M15 - DCH0900163VHXBAA |
| 101             | 0121L00974NG   | CONTROL DOOR  | M16 - DCH0900163VRXAAA |
| 111             | 0121L02517RFNG | RF, PAINTED CNTL POST HINGED (M1, M2, M3, M5, M9, M10, M17, M23, M24)   | M17 - DCH0900163VVDAA  |
| 111             | 0121L02303RFNG | RF, PAINTED CONTROL POST (M4, M6, M7, M8, M11, M12, M13, M14, M15, M16, M18, M19, M20, M21, M22, M25, M26, M27, M28, M29) | M18 - DCH0900163VWBJAA |
| 121             | 0121L00767NG   | HEAT EXCHANGE DOOR  | M19 - DCH0900163VWXLAA |
| 131             | 0121L00763NG   | BLOWER DOOR   | M20 - DCH0900163VWXXAA |
| 141             | 0121L00765RFNG | BURNER BOX POST   | M21 - DCH0900164VFXAA  |
| 161             | 0121L00828NG   | BURNER DOOR   | M22 - DCH0900164VHBEAA |
| 231             | 0121L01099RF   | RAIL, BASE SIDES RF (QTY 2)   | M23 - DCH0900164VMDXAA |
| 241             | 0121L00834RF   | RAIL-BASE COND END  | M24 - DCH0900303VRMMAA |
| 251             | 0121L00071RF   | RAIL, BASE DUCT END   | M25 - DCH0900303VWXAAA |
| 261             | 0121G00301     | RAIL CORNER BRACKET (QTY 4)   | M26 - DCH0900304VJXFAA |
| NS              | 0121L00055     | BRACKET-FORK BOARD (QTY 4)  | M27 - DCH102XXX3VXXXAA |
| NS              | 0121L00727     | ECONOMIZER COVER (M2, M3, M4, M10, M17, M18, M19, M20, M25)   | M28 - DCH102XXX4VXXXAA |
| NS              | 0121L01310     | ECONOMIZER COVER (M26)  | M29 - DCH102XXX7VXXXAA |
| NS              | 0141L00006X    | FORK BOARD (QTY 2)  |                        |
| NS              | 0164L00009     | GASKET-RUBBER, CPOST (QTY 3)  |                        |
| NS              | 0164L00011     | GASKET-RUBBER, SIDE POST (QTY 5)  |                        |
| NS              | 0121L00185NG   | PAINTED LOUVER HAIL GUARD (M9, M10)   |                        |

# Top Panel and Tubing Assembly

IMAGE 1

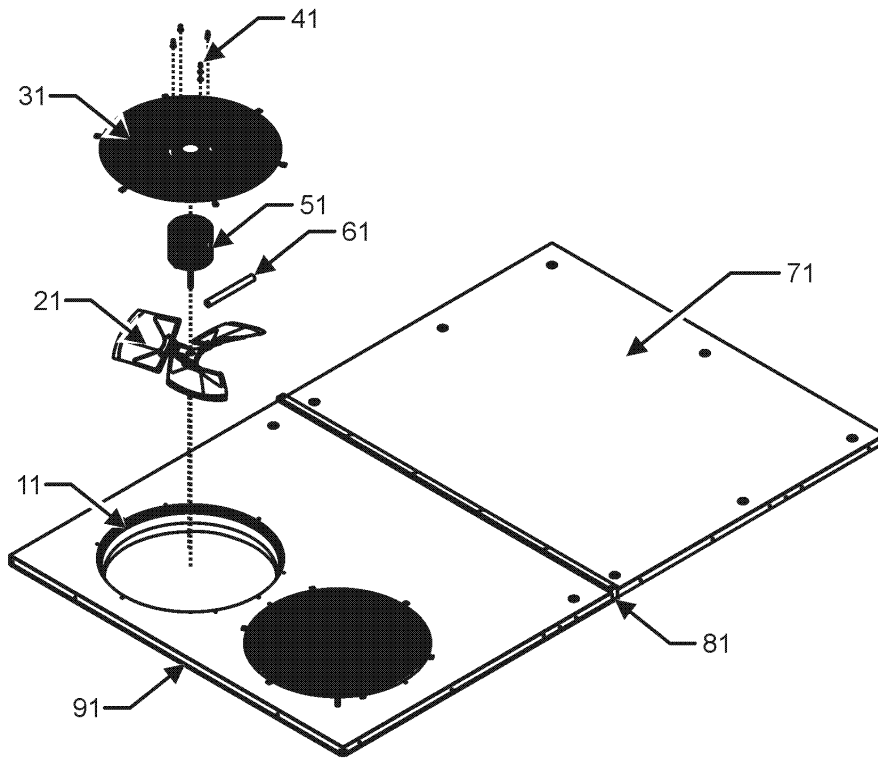
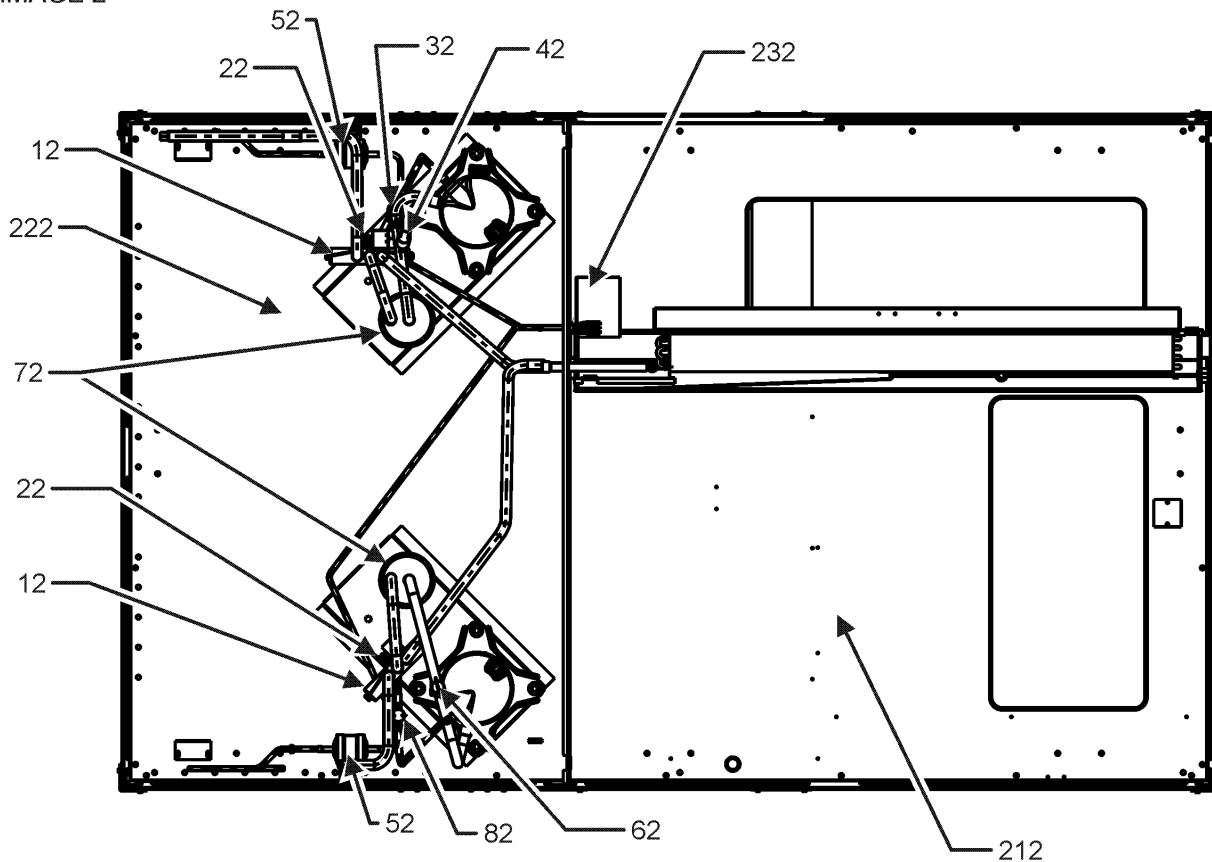


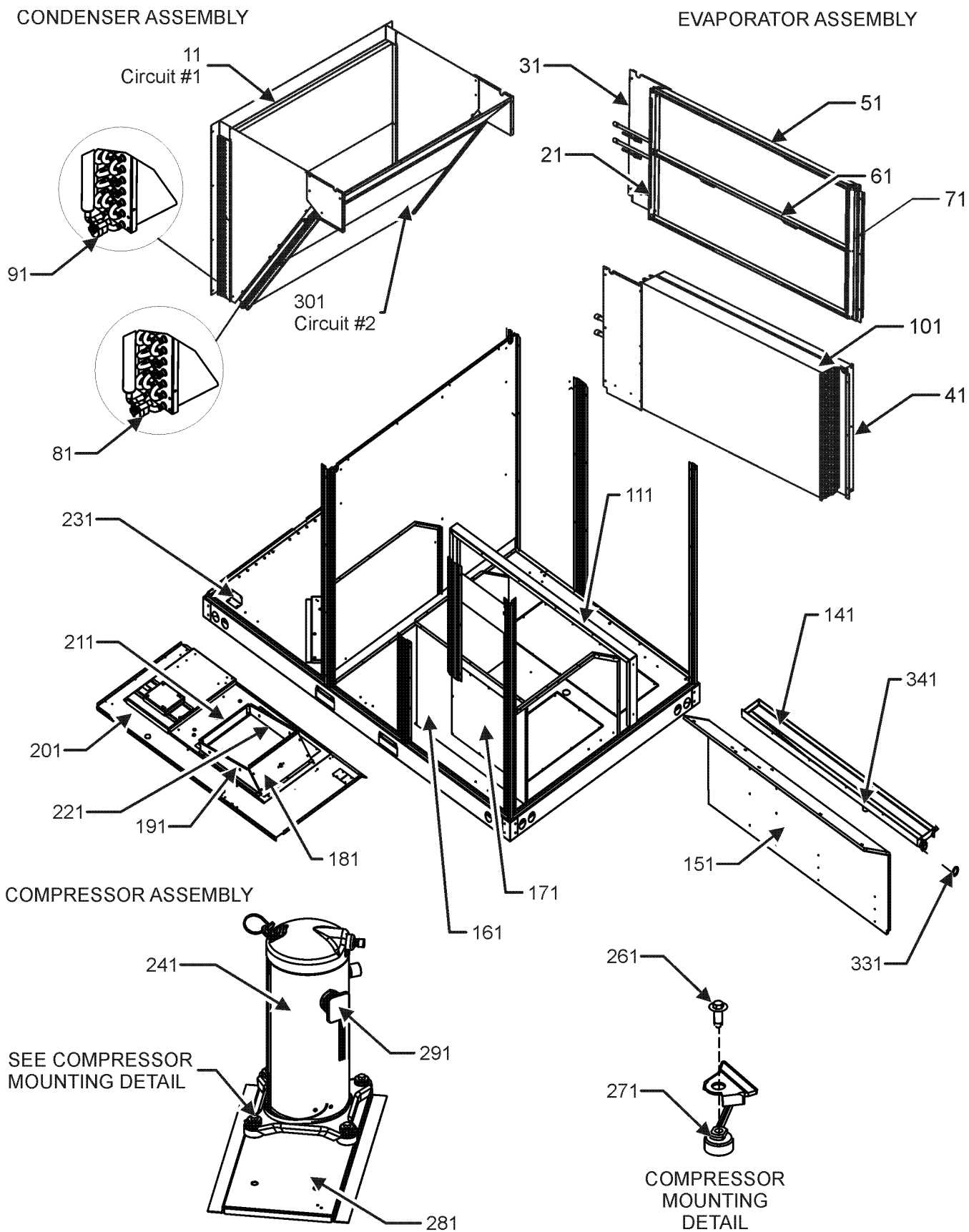
IMAGE 2



# Top Panel and Tubing Assembly

| Ref. Part No: No: | Description:   | Ref. Part No: No:                  | Description:       |
|-------------------|--|------------------------------------|--------------------|
| <b>Image 1:</b>   |  | <b>Expanded Model Nomenclature</b> |                    |
| 11                | 0161L00000 VENTURI RING 22" (QTY 2)  | M1                                 | - DCH090XXX3VFDXAA |
| 21                | 0150G00001 FAN BLADE 22" ALUM CCW (QTY 2)  | M2                                 | - DCH090XXX3VVDAA  |
| 31                | 0152G00000 FAN GRILLE, RAISED (QTY 2)  | M3                                 | - DCH090XXX3VVDXAA |
| 41                | 0163M00006P ACORN NUT 5/16 HEX BLACK (QTY 8)   | M4                                 | - DCH090XXX3VWXDAA |
| 51                | 0131M00431 COND MOTOR 575V (M14, M29)  | M5                                 | - DCH090XXX3VXDAA  |
| 51                | 0131M00847 MOTOR, 1/4 HP, 1 SP, 6 PL (M1, M2, M3, M4, M5, M6, M7, M8, M9, M10, M15, M16, M17, M18, M20, M24, M25, M27)   | M6                                 | - DCH090XXX3VXXBAA |
| 51                | 0131L00061 MOTOR, 1/4 HP, 1SP, 6PL (M19)   | M7                                 | - DCH090XXX3VXXNAA |
| 51                | 0131M00857 MOTOR, 380/460 50/60 HZ (M11, M12, M13, M21, M22, M23, M28)   | M8                                 | - DCH090XXX3VXXXAA |
| 51                | 0131L00062 MOTOR, COND, 1/4 HP, 460V (M26)   | M9                                 | - DCH090XXX3V1DDAA |
| 61                | 0161R00003P CONDUIT (M1, M2, M3, M4, M5, M6, M7, M8, M9, M10, M11, M12, M13, M14, M15, M16, M17, M18, M19, M20, M21, M22, M23, M24, M25, M26)                    | M10                                | - DCH090XXX3V2PDAA |
| 61                | 0163M00386 CONDUIT-FLEXIBLE (M27, M28, M29)  | M11                                | - DCH090XXX4VFXAA  |
| 71                | 0121L00497NG Painted Top Panel Indoor (M27, M28, M29)  | M12                                | - DCH090XXX4VHXNAA |
| 71                | 0121L01119NG PAINTED TOP PANEL INDOOR (M1, M2, M3, M4, M5, M6, M7, M8, M9, M10, M11, M12, M13, M14, M15, M16, M17, M18, M19, M20, M21, M22, M23, M24, M25, M26)  | M13                                | - DCH090XXX4VXXXAA |
| 81                | 20455902 SPLICE GASKET .50 X .25 (QTY 8)   | M14                                | - DCH090XXX7VXXXAA |
| 91                | 0121L01118NG PAINTED TOP PANEL OUTDOOR (M1, M2, M3, M4, M5, M6, M7, M8, M9, M10, M11, M12, M13, M14, M15, M16, M17, M18, M19, M20, M21, M22, M23, M24, M25, M26) | M15                                | - DCH0900163VHXBAA |
| 91                | 0121L01105NG PAINTED TOP PANEL, FAN AREA (M27, M28, M29)   | M16                                | - DCH0900163VRXAAA |
| NS                | 0163M00175 CAP WITH O-RING (QTY 4)   | M17                                | - DCH0900163VVDAA  |
| NS                | 0259L00511 HARNESS COND MOTOR  | M18                                | - DCH0900163VWBAA  |
| NS                | 0259L00512 HARNESS COND MOTOR  | M19                                | - DCH0900163VWXLAA |
| NS                | 0163M00004 SCREW #10X3/4", BLACK (QTY 22)  | M20                                | - DCH0900163VWXXAA |
| NS                | 0163M00005P WASHER, BLACK (.50 OD .218ID) (QTY 8)  | M21                                | - DCH0900164VFXAA  |
| 12                | 0151R00071 REVERSING VALVE   | M22                                | - DCH0900164VHBAAA |
| 22                | B1225022 SOLENOID COIL   | M23                                | - DCH0900164VMDXAA |
| 32                | 0130M00031 CUT-OUT SWITCH, HIGH PRESSURE   | M24                                | - DCH0900303VRMMAA |
| 42                | 0130L00003 CUT-OUT SWITCH, LOW PRESSURE  | M25                                | - DCH0900303VWXAAA |
| 52                | B1219204 BI-FLOW FILTER DRIER  | M26                                | - DCH0900304VJXFAA |
| 62                | 0130L00003 CUT-OUT SWITCH, LOW PRESSURE  | M27                                | - DCH102XXX3VXXXAA |
| 72                | B1226207 ACCUMULATOR .875 (QTY 2)  | M28                                | - DCH102XXX4VXXXAA |
| 82                | 0130M00030 CUT-OUT SWITCH, HIGH PRESSURE   | M29                                | - DCH102XXX7VXXXAA |
| 212               | 0121L02129 BASE PAN, OUTDOOR   |                                    |                    |
| 222               | 0121L00944 BASE PAN-INDOOR   |                                    |                    |
| 232               | 0121L00359 SHIELD-EVAPORATOR DRIP  |                                    |                    |
| NS                | B1373315 ACCESS FITTING (QTY 4)  |                                    |                    |

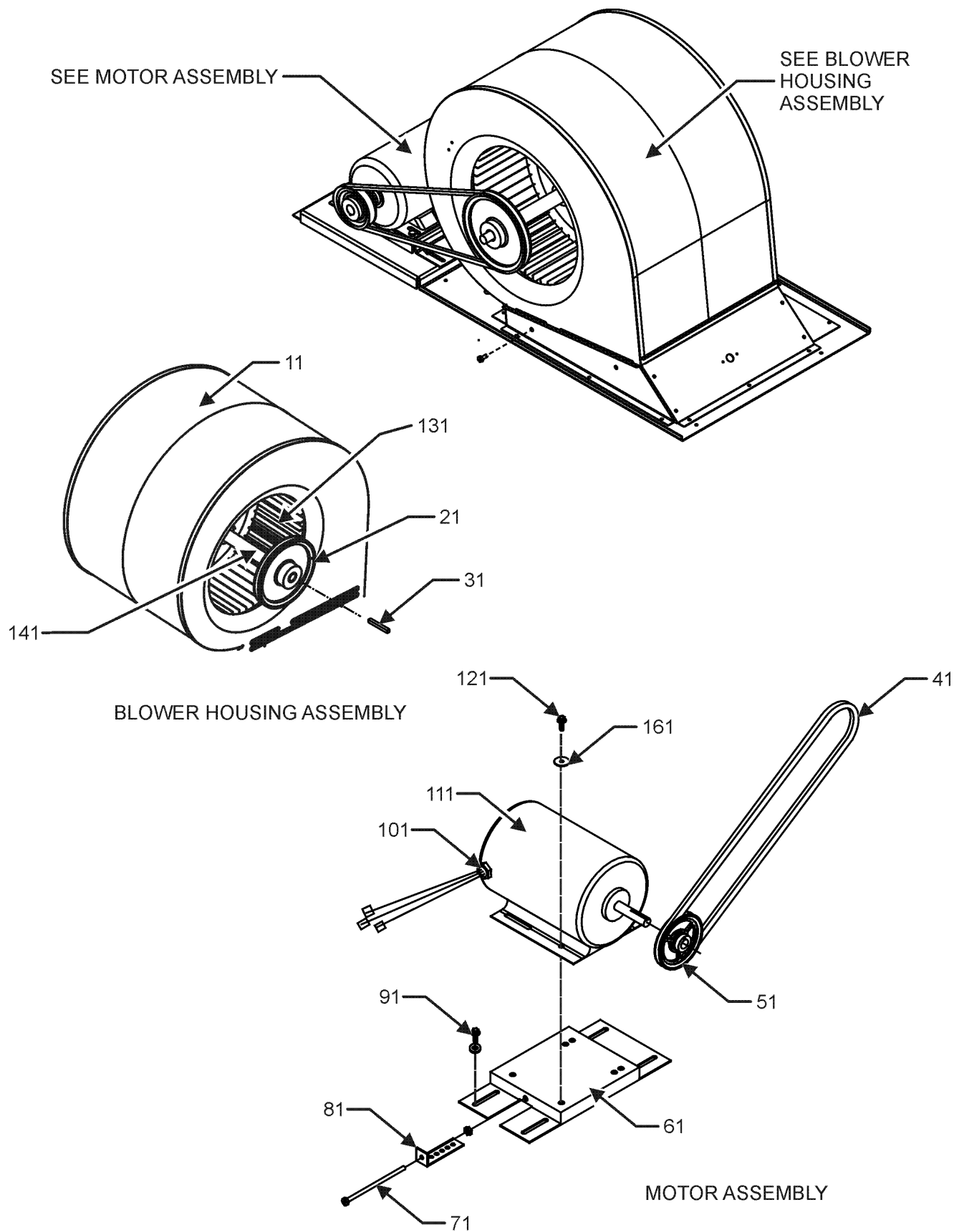
# Condenser, Evaporator and Partition Assy



# Condenser, Evaporator and Partition Assy

| Ref. Part No: No: | Description:  | Ref. Part No: No:                  | Description: |
|-------------------|---|------------------------------------|--------------|
| <b>Image 1:</b>   |   | <b>Expanded Model Nomenclature</b> |              |
| 11                | 0201L00002 TUBING ASSY, COND COIL (M1, M2, M3, M4, M5, M6, M7, M8, M9, M10, M11, M12, M13, M14, M15, M16, M17, M18, M19, M20, M21, M22, M23, M24, M25, M26) | M1 - DCH090XXX3VFDXAA              |              |
| 11                | 0201L00096 TUBING ASSY, COND COIL C1 (M27, M28, M29)  | M2 - DCH090XXX3VDDAA               |              |
| 21                | 0121L00650 FILTER ANGLE-VERTICAL (RETURN SIDE)  | M3 - DCH090XXX3VVDXAA              |              |
| 31                | 0121L00210 EVAP EXTENSION-RETURN SIDE   | M4 - DCH090XXX3VWXDAA              |              |
| 41                | 0121L00843 EXTENSION-EVAP HPIN  | M5 - DCH090XXX3VXDAA               |              |
| 51                | 0121L00649 FILTER ANGLE - HORIZONTAL (QTY 2)  | M6 - DCH090XXX3VXXBAA              |              |
| 61                | 0121L01257 FILTER ANGLE - VERTICAL  | M7 - DCH090XXX3VXXNAA              |              |
| 71                | 0121L00358 FILTER ANGLE-VERTICAL (HAIRPIN SIDE)   | M8 - DCH090XXX3VXXXAA              |              |
| 81                | 0130M00102 CONTROL, DEFROST   | M9 - DCH090XXX3V1DDAA              |              |
| 91                | 0130M00103 CONTROL, DEFROST   | M10 - DCH090XXX3V2PDAA             |              |
| 101               | 0202L00004 TUBING ASSY, EVAP COIL (M1, M2, M3, M4, M5, M6, M7, M8, M9, M10, M11, M12, M13, M15, M16, M17, M18, M19, M20, M21, M22, M23, M24, M25, M26)      | M11 - DCH090XXX4VFXAA              |              |
| 101               | 0202L00050 TUBING ASSY, EVAP COIL (M27, M28, M29)   | M12 - DCH090XXX4VHXNAA             |              |
| 101               | 0202L00058 TUBING ASSY, EVAP COIL (M14)   | M13 - DCH090XXX4VXXXAA             |              |
| 111               | 0121L02984 SUPPORT, PAN, DRAIN  | M14 - DCH090XXX7VXXXAA             |              |
| 141               | 0161L00002 DRAIN PAN  | M15 - DCH0900163VHXBAA             |              |
| 151               | 0121L00374 DECK SIDE CHANNEL  | M16 - DCH0900163VRXAAA             |              |
| 161               | 0121L00365 ELECTRIC HEAT PANEL  | M17 - DCH0900163VDDAA              |              |
| 171               | 0121L00177 ELECTRIC HEAT COVER  | M18 - DCH0900163VWBAA              |              |
| 181               | 0121L00090 BLOWER TRANSITION, RH END  | M19 - DCH0900163VWXLAA             |              |
| 191               | 0121L00092 BLOWER TRANSITION, FRONT   | M20 - DCH0900163VWXXAA             |              |
| 201               | 0121L03117 DECK, BLOWER   | M21 - DCH0900164VFXAA              |              |
| 211               | 0121L00097 BLOWER TRANSITION, LH END  | M22 - DCH0900164VHBEAA             |              |
| 221               | 0121L00145 BLOWER TRANSITION, BACK  | M23 - DCH0900164VMDXAA             |              |
| 231               | 0121L00513 BRACE-CONDENSER (QTY 2)  | M24 - DCH0900303VRMMAA             |              |
| 241               | ZP44K5ETFD130 COMP 44000, 460/60/3 (M28)  | M25 - DCH0900303VWXAAA             |              |
| 241               | ZP39K5ETFD130 COMP, 39000, 460/60/3 (M11, M12, M13, M21, M22, M23, M26)   | M26 - DCH0900304VJXFAA             |              |
| 241               | ZP39K5ETF5130 COMP, 39000,200/230/60/3 (M1, M2, M3, M4, M5, M6, M7, M8, M9, M10, M15, M16, M17, M18, M19, M20, M24, M25)                                    | M27 - DCH102XXX3VXXXAA             |              |
| 241               | ZP39K5ETF5130 COMP, 39000,575/60/3 (M14)  | M28 - DCH102XXX4VXXXAA             |              |
| 241               | ZP44K5ETF5130 COMP, 44000, 200/230/60/3 (M27)   | M29 - DCH102XXX7VXXXAA             |              |
| 241               | ZP44K5ETF5130 COMP, 44000, 575/60/3 (M29)   |                                    |              |
| 261               | M0221641 TF SHOULDER SCREW (QTY 8)  |                                    |              |
| 271               | B1339533 COMPRESSOR GROMMET (QTY 8)   |                                    |              |
| 281               | 0121L02128 MOUNTING PLATE, COMP (QTY 2)   |                                    |              |
| 291               | 0159L00066 Harness, comp scroll   |                                    |              |
| 291               | 0159L00067 Harness, comp scroll   |                                    |              |
| 301               | 0201L00002 TUBING ASSY, COND COIL (M1, M2, M3, M4, M5, M6, M7, M8, M9, M10, M11, M12, M13, M14, M15, M16, M17, M18, M19, M20, M21, M22, M23, M24, M25, M26) |                                    |              |
| 301               | 0201L00097 TUBING ASSY, COND COIL C2 (M27, M28, M29)  |                                    |              |
| 331               | 0154L00009 GASKET-DRAIN PAN   |                                    |              |
| 341               | 0163L00071 DRAIN PLUG   |                                    |              |
| NS                | 0121L01398 DECK, SUPPORT BLOWER (M1, M2, M3, M5, M9, M10, M17, M23, M24)  |                                    |              |
| NS                | 0121L01402 DECK, SUPPORT CONTROL (M1, M2, M3, M5, M9, M10, M17, M23, M24)   |                                    |              |
| NS                | 0121L00321 SMOKE DETECTOR COVER (QTY 2)   |                                    |              |

# Blower Motor Assembly



# Blower Motor Assembly

**Ref. Part**

**No: No:**

**Description:**

**Ref. Part**

**No: No:**

**Description:**

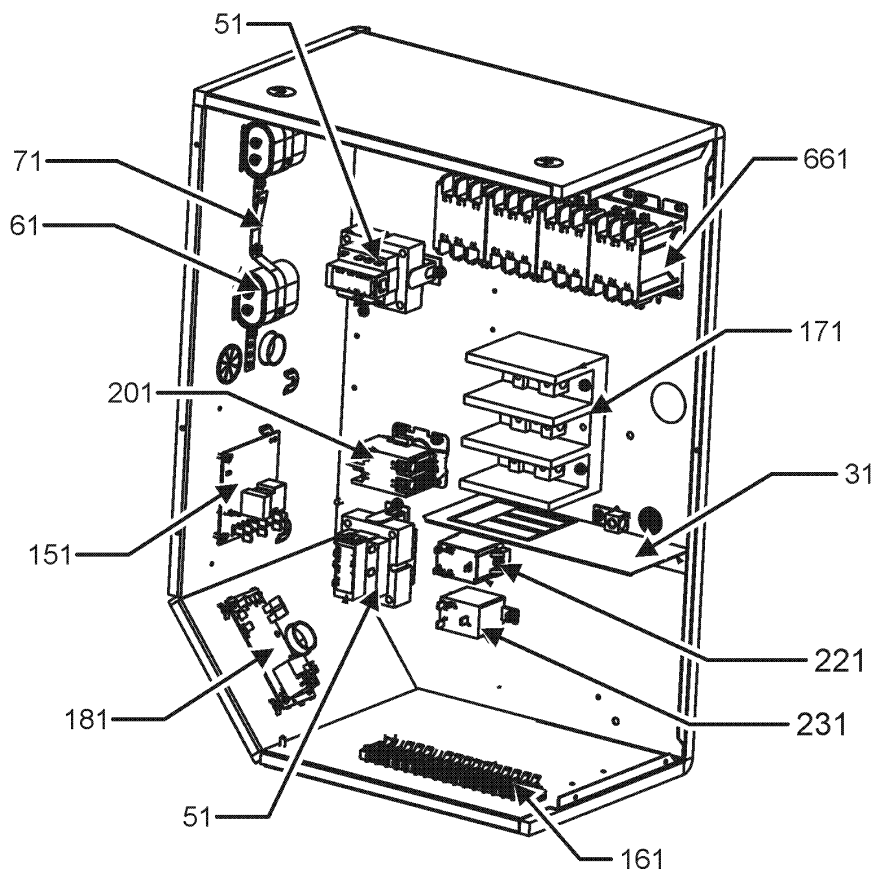
**Image 1:**

|     |            |   |
|-----|------------|---|
| 11  | 04-01525   | BLOWER HOUSING  |
| 21  | 0163L00134 | SHEAVE, FIXED AK74H   |
| 31  | 0163M00407 | MACHINE KEY, SPECIAL  |
| 41  | 0164L00000 | NOTCHED FAN BELT AX51   |
| 51  | 0163L00012 | VARIABLE PITCH SHEAVE VL40  |
| 61  | 0270L00015 | MOTOR BASE ASSY   |
| 71  | 0163M00045 | BOLT 1/4-20 X 4"  |
| 81  | 3225000F   | BELT TIGHTENER ANGLE  |
| 91  | B1446707   | SCREW 5/16-18 X 1" (QTY 4)  |
| 101 | B1393726   | ELECT. CONNECTING BUSHING   |
| 111 | 0131L00041 | MOTOR 2 HP BELT DRIVE 208-230V (M1, M2, M3, M4, M5, M6, M7, M8, M9, M10, M15, M16, M17, M18, M19, M20, M24, M25, M27) |
| 111 | 0131L00043 | MOTOR 2HP BELT DRIVE 460V (M11, M12, M13, M21, M22, M23, M26, M28)  |
| 111 | 0131L00042 | MOTOR 2HP BELT DRIVE 575V (M14, M29)  |
| 121 | B1393738   | BOLT 1/4-20 X 3/4" (QTY 4)  |
| 131 | 03-77429   | BLOWER WHEEL  |
| 141 | 04-11525   | BLOWER SHAFT  |
| 161 | B1392923   | WASHER / FLAT (QTY 4)   |
| NS  | 04-02196   | BEARING & FRAME ASSY  |

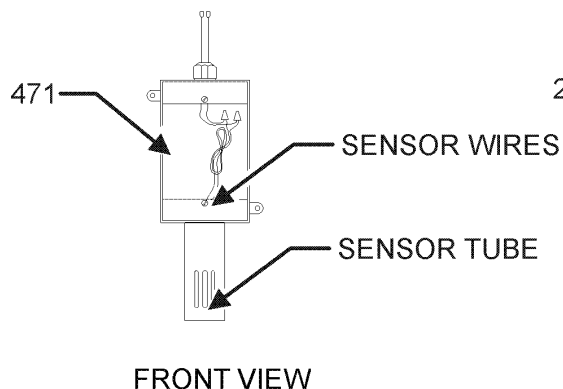
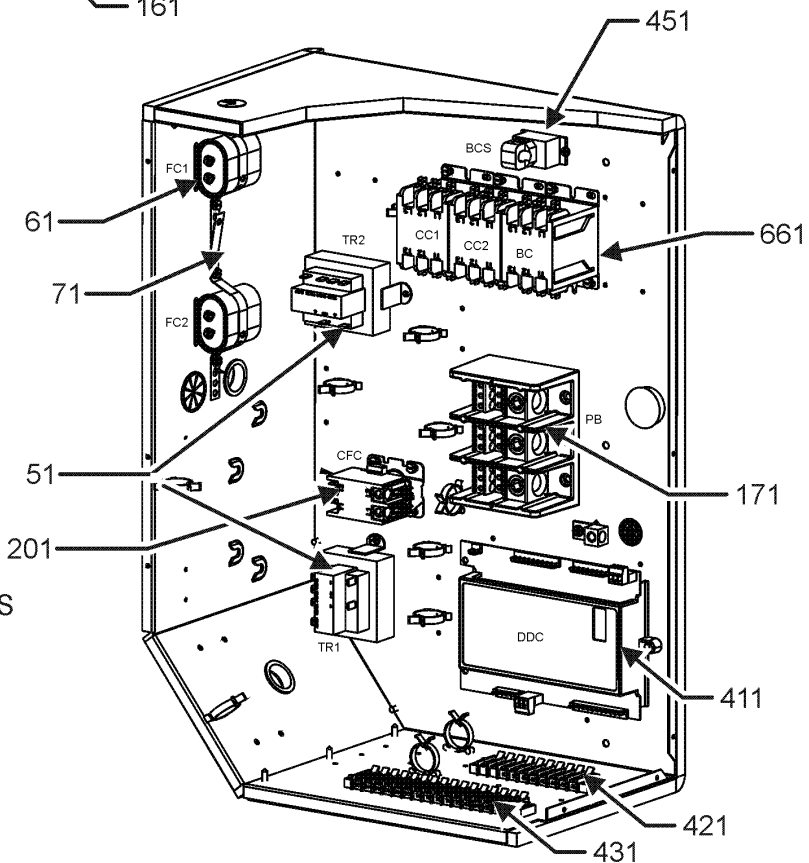
**Expanded Model Nomenclature**

|                        |
|------------------------|
| M1 - DCH090XXX3VFDXAA  |
| M2 - DCH090XXX3VDDAA   |
| M3 - DCH090XXX3VVDXAA  |
| M4 - DCH090XXX3VWXDAA  |
| M5 - DCH090XXX3VXDAA   |
| M6 - DCH090XXX3VXXBAA  |
| M7 - DCH090XXX3VXXNAA  |
| M8 - DCH090XXX3VXXXAA  |
| M9 - DCH090XXX3V1DDAA  |
| M10 - DCH090XXX3V2PDAA |
| M11 - DCH090XXX4VFXXAA |
| M12 - DCH090XXX4VHXNAA |
| M13 - DCH090XXX4VXXXAA |
| M14 - DCH090XXX7VXXXAA |
| M15 - DCH0900163VHXBAA |
| M16 - DCH0900163VRXAAA |
| M17 - DCH0900163VDDAA  |
| M18 - DCH0900163VWBJAA |
| M19 - DCH0900163VWXLAA |
| M20 - DCH0900163VWXXAA |
| M21 - DCH0900164VFXXAA |
| M22 - DCH0900164VHBAAA |
| M23 - DCH0900164VMDXAA |
| M24 - DCH0900303VRMMAA |
| M25 - DCH0900303VWXAAA |
| M26 - DCH0900304VJXFAA |
| M27 - DCH102XXX3VXXXAA |
| M28 - DCH102XXX4VXXXAA |
| M29 - DCH102XXX7VXXXAA |

# Control Box Assembly



CONTROL BOX FOR MODELS WITH DDC CONTROL



# Control Box Assembly

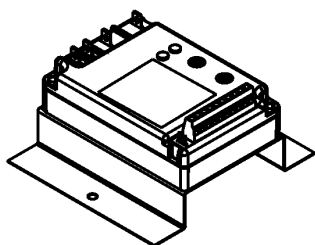
| Ref. Part No:   | Ref. Part No:  | Description:  | Description:           |
|-----------------|----------------|---|------------------------|
| <b>Image 1:</b> |                | <b>Expanded Model Nomenclature</b>  |                        |
| 31              | 0121G00491     | VOLTAGE BARRIER   | M1 - DCH090XXX3VFDXAA  |
| 51              | 0130M00594     | TRANSFORMER (M1, M2, M3, M4, M5, M6, M7, M8, M9, M10, M15, M16, M17, M18, M19, M20, M24, M25, M27)      | M2 - DCH090XXX3VDDAA   |
| 51              | 0130M00595     | TRANSFORMER, 75VA, 480V TO 24V (M11, M12, M13, M21, M22, M23, M26, M28)                                 | M3 - DCH090XXX3VVDXAA  |
| 51              | 0130M00598     | TRANSFORMER, 75VA, 575V TO 24V (M14, M29)   | M4 - DCH090XXX3VWXDAA  |
| 61              | CAP030000440LA | CAPACITOR 3/440V (M14, M29)   | M5 - DCH090XXX3VXDAA   |
| 61              | CAP050000370LA | CAPACITOR 5/370V (M1, M2, M3, M4, M5, M6, M7, M8, M9, M10, M15, M16, M17, M18, M19, M20, M24, M25, M27) | M6 - DCH090XXX3VXXBAA  |
| 61              | CAP075000370LA | CAPACITOR 7.5/370V (M11, M12, M13, M21, M22, M23, M26, M28)   | M7 - DCH090XXX3VXXNAA  |
| 71              | 20520901       | CAPACITOR STRAP (QTY 2)   | M8 - DCH090XXX3VXXXAA  |
| 151             | PCBDM101       | PCB, DEFROST CONTROL  | M9 - DCH090XXX3V1DDAA  |
| 161             | 0130M00038     | TERMINAL BOARD  | M10 - DCH090XXX3V2PDAA |
| 171             | 0130M00042     | BLOCK, POWER  | M11 - DCH090XXX4VFXAA  |
| 181             | PCBFM103       | PCB, TIME DELAY, EBTRD  | M12 - DCH090XXX4VHXNAA |
| 201             | CONT2P040024V  | CONTACTOR 40 AMP, 2P, 24V   | M13 - DCH090XXX4VXXXAA |
| 221             | 10135604       | RELAY (QTY 4)   | M14 - DCH090XXX7VXXXAA |
| 231             | 0130M00242     | 24V RELAY (QTY 3)   | M15 - DCH0900163VHXBAA |
| 411             | PCBCG103       | PCB, CONTROL, HP, GAS, AC (M1, M11, M16, M21, M23, M24)   | M16 - DCH0900163VRXAAA |
| 421             | 0130M00274     | TERMINAL BOARD (M1, M11, M16, M21, M23, M24)  | M17 - DCH0900163VDDAA  |
| 431             | 0130M00275     | TERMINAL BOARD (M1, M11, M16, M21, M23, M24)  | M18 - DCH0900163VWBAA  |
| 451             | 0259L00368     | CURRENT SWITCH WITH TERMS (M1, M11, M16, M21, M23, M24)   | M19 - DCH0900163VWXLAA |
| 471             | 0130L00108     | OD Air Temp Sensor (M1, M11, M16, M21, M23, M24)  | M20 - DCH0900163VWXXAA |
| 661             | CONT3P025024V  | CONTACTOR 25 AMP, 3P, 24V (QTY 4)   | M21 - DCH0900164VFXAA  |
| NS              | 0130L00112     | Duct Temp Sensor (M1, M11, M16, M21, M23, M24)  | M22 - DCH0900164VHBEAA |
| NS              | 0259L00165     | ECONOMIZER HARNESS  | M23 - DCH0900164VMDXAA |
| NS              | 0259L00379     | HARN, BINARY INPUT, DDC (M1, M11, M16, M21, M23, M24)   | M24 - DCH0900303VRMMAA |
| NS              | 0259L00382     | HARN, CNTL PWR, DDC (M1, M11, M16, M21, M23, M24)   | M25 - DCH0900303VWXAAA |
| NS              | 0259L00385     | HARN, CNTL, HEAT PLUG INTERCON (M1, M11, M16, M21, M23, M24)  | M26 - DCH0900304VJXFAA |
| NS              | 0259L00383     | HARN, CNTL, TR1-TR2-CFC (M1, M11, M16, M21, M23, M24)   | M27 - DCH102XXX3VXXXAA |
| NS              | 0259L00418     | HARN, RELAY OUTPUT, DDC 2 SP (M1, M11, M16, M21, M23, M24)  | M28 - DCH102XXX4VXXXAA |
| NS              | 0259L00191     | HARNESS, BELT DRIVE MOTOR   | M29 - DCH102XXX7VXXXAA |
| NS              | 0259L00092     | HARNESS-SMOKE DETECTOR SENSOR (M2, M4, M7, M9, M10, M12, M17, M18, M19, M22)                            |                        |
| NS              | 0259L00032     | LCM HARNESS, ELECTRIC HEAT  |                        |
| NS              | 0130L00105     | PHASE MONITOR (M18, M22, M24)   |                        |
| NS              | 0130L00107     | ROOM SENSOR-OE213-G (M1, M11, M16, M21, M23, M24)   |                        |
| NS              | 0259L00428     | WIRE ASSY (M18, M22)  |                        |
| NS              | 0259L00447     | WIRE ASSY (M18, M22)  |                        |
| NS              | 0259L00503     | WIRE HARNESS (M1, M11, M16, M21, M23, M24)  |                        |
| NS              | 0259L00090     | WIRE HARNESS-SMOKE DETECTOR (M2, M4, M7, M9, M10, M12, M17, M18, M19, M22)                              |                        |
| NS              | 0259L00557     | WIRING HARNESS (M9, M10)  |                        |

# Accessory Parts List

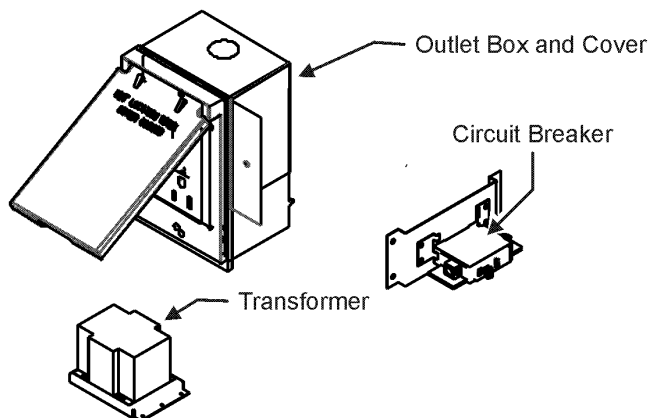
## ACCESSORY PARTS LIST

NOTE: NOT ALL OPTIONS AVAILABLE FOR ALL PRODUCTS

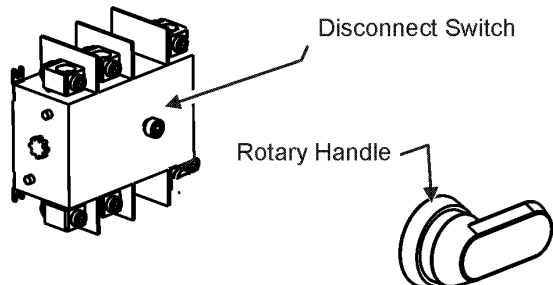
### 1 LOW AMBIENT KITS



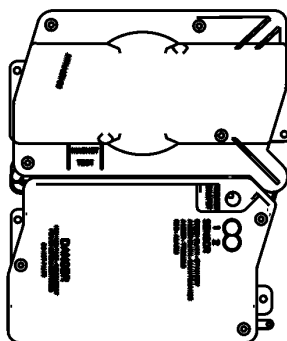
### 2 GFCI CONVENIENCE OUTLET



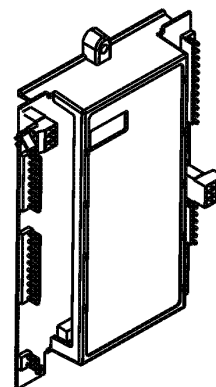
### 3 DISCONNECT MODULE (NON-FUSED)



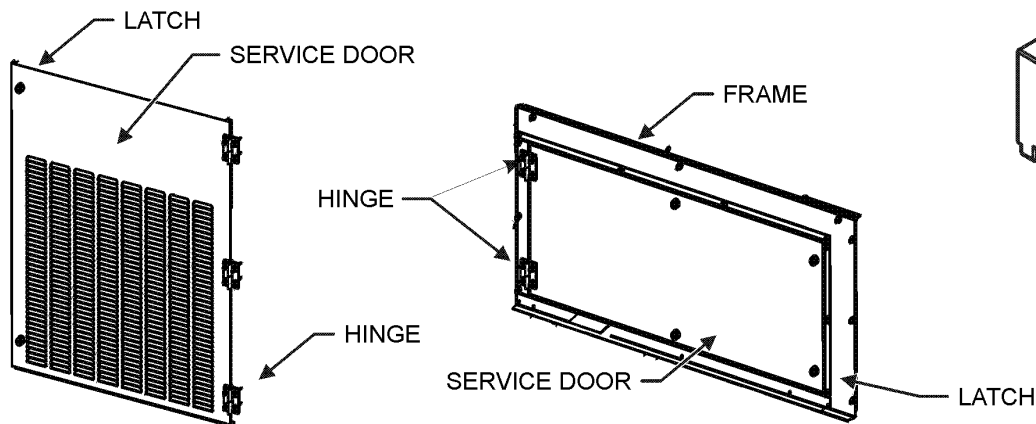
### 4 SMOKE DETECTORS



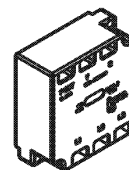
### 5 DDC CONTROL



### 6 HINGED DOOR ASSEMBLIES



### 7 PHASE MONITOR



# Accessory Parts List

| Ref. Part No: No: | Description:  | Ref. Part No: No:                  | Description:  |
|-------------------|---|------------------------------------|---|
| <b>Image 1:</b>   |   | <b>Image 1:</b>                    |   |
| NS EHK3-16        | 15 KW 208-230/3 ELECTRIC HEAT (M15, M16, M17, M18, M19, M20)                            | NS 0121L01403NG                    | SERVICE DOOR FRONT, CONTROL (M1, M2, M3, M5, M9, M10, M17, M23, M24)              |
| NS EHK4-16        | 15 KW 460/3 ELECTRIC HEAT (M21, M22, M23)   | NS 0130L00043                      | SHAFT, CUT (M4, M9)   |
| NS DDNECNJ90150B  | 7.5-12.5 TON DFLOW ECON (M2, M3, M4, M10, M17, M18, M19, M20, M25)                      | NS 0130L00056                      | SHAFT, CUT (M12, M15, M18, M19, M26)  |
| NS 1036610B       | 7.5-12.5 TON DFLOW ECONOMIZER (M26)   | NS 0130L00057                      | SHAFT, CUT (M22, M23)   |
| NS 10366D10B      | 7.5-12.5T DFLOW ECON, DDC (M1, M11, M16, M21, M24)                                      | NS 0130L00049                      | SHAFT, DISCONNECT (M4, M9, M12, M15, M16, M18, M19, M20, M22, M23, M24, M25, M26) |
| NS 0121L00316     | BRACKET-CONV OUTLET MOUNT (M6, M7, M12, M15, M16, M18, M19, M24, M25, M26)              | NS D4120                           | SMOKE DETECTOR, PHOTO 4WIRE (M2, M4, M7, M9, M10, M12, M17, M18, M19, M22)        |
| NS 0121L00768     | BRACKET-SMOKE DETECTOR (M2, M4, M7, M9, M10, M12, M17, M18, M19, M22)                   | NS D4S                             | SMOKE DETECTOR, SENSOR ONLY (M18, M19)  |
| NS 0130M00065     | CIRCUIT BREAKER, CONVENIENCE OUTLET (M6, M7, M12, M15, M24)                             | NS ECP400-5                        | SURVEYOR ECP (M9, M10)  |
| NS 0121L00973NG   | DISCONNECT SWITCH COVER (M4, M9, M12, M15, M16, M18, M19, M20, M22, M23, M24, M25, M26) | NS 0130L00027                      | SWITCH-DISCONNECT 100A (M12, M15, M18, M19, M26)                                  |
| NS 0121L01406NG   | DOOR FRAME, CONTROL (M1, M2, M3, M5, M9, M10, M17, M23, M24)                            | NS 0130L00033                      | SWITCH-DISCONNECT 200A (M4, M9)   |
| NS 0121L02480NG   | DOOR, SERVICE, FRONT, BLOWER (M1, M2, M3, M5, M9, M10, M17, M23, M24)                   | NS 0130L00046                      | SWITCH-DISCONNECT 60A (M22, M23)  |
| NS EHK3-30        | ELECTRIC HEATER KIT (M24, M25)  | NS 0130M00061                      | TRANSFORMER, CONVENIENCE OUTLET (M6, M7, M12, M15, M24)                           |
| NS EHK4-30        | ELECTRIC HEATER KIT (M26)   | NS 0259L00557                      | WIRE HARNESS (M9, M10)  |
| NS 0130L00012     | GANG BOX-GFCI OUTLET (M6, M7, M12, M15, M16, M18, M19, M24, M25, M26)                   | <b>Expanded Model Nomenclature</b> |   |
| NS 0130L00039     | HANDLE, ROTARY (M4, M9, M12, M15, M18, M19, M26)  | M1 - DCH090XXX3VFDXAA              |   |
| NS 0163M00307     | HINGE, LEFT HAND (M1, M2, M3, M5, M9, M10, M17, M23, M24)                               | M2 - DCH090XXX3VVDAA               |   |
| NS 0163M00308     | HINGE, RIGHT HAND (M1, M2, M3, M5, M9, M10, M17, M23, M24)                              | M3 - DCH090XXX3VVDXAA              |   |
| NS 0163M00322     | LATCH (M1, M2, M3, M5, M9, M10, M17, M23, M24)  | M4 - DCH090XXX3VWXDAA              |   |
| NS 0130M00059     | LOW AMBIENT KIT (M26)   | M5 - DCH090XXX3VXDAA               |   |
| NS 0121L02220NG   | PNT, DOOR FRAME FILTER (M1, M2, M3, M5, M9, M10, M17, M23, M24)                         | M6 - DCH090XXX3VXXBAA              |   |
| NS 0121L02481NG   | PNT, SERVICE DOOR BACK BLWR (M1, M2, M3, M5, M9, M10, M17, M23, M24)                    | M7 - DCH090XXX3VXXNAA              |   |
| NS 0121L02223NG   | PNT, SERVICE DOOR BACK FILTER (M1, M2, M3, M5, M9, M10, M17, M23, M24)                  | M8 - DCH090XXX3VXXXAA              |   |
| NS 0121L02218NG   | PNT, SERVICE DOOR FRONT FILTER (M1, M2, M3, M5, M9, M10, M17, M23, M24)                 | M9 - DCH090XXX3V1DDAA              |   |
| NS 0161G00012     | POWER OUTLET BOX (M6, M7, M12, M15, M16, M18, M19, M24, M25, M26)                       | M10 - DCH090XXX3V2PDAA             |   |
| NS 0130L00103     | RECEPTACLE-GFCI OUTLET (M6, M7, M12, M15, M16, M18, M19, M24, M25, M26)                 | M11 - DCH090XXX4VFXXAA             |   |
| NS RS400          | REMOTE SENSOR (M9, M10)   | M12 - DCH090XXX4VHXNAA             |   |
| NS SP400          | SENSOR PACK (M9, M10)   | M13 - DCH090XXX4VXXXAA             |   |
| NS 0121L01404NG   | SERVICE DOOR BACK, CONTROL (M1, M2, M3, M5, M9, M10, M17, M23, M24)                     | M14 - DCH090XXX7VXXXAA             |   |
| NS 0121L01397NG   | SERVICE DOOR FRAME, BLOWER (M1, M2, M3, M5, M9, M10, M17, M23, M24)                     | M15 - DCH0900163VHXBAA             |   |
|                   |   | M16 - DCH0900163VRXAAA             |   |
|                   |   | M17 - DCH0900163VVDDAA             |   |
|                   |   | M18 - DCH0900163VWBAAA             |   |
|                   |   | M19 - DCH0900163VWXLAA             |   |
|                   |   | M20 - DCH0900163VWXXAA             |   |
|                   |   | M21 - DCH0900164VFXXAA             |   |
|                   |   | M22 - DCH0900164VHBEAA             |   |
|                   |   | M23 - DCH0900164VMDXAA             |   |
|                   |   | M24 - DCH0900303VRMMAA             |   |
|                   |   | M25 - DCH0900303VWXAAA             |   |
|                   |   | M26 - DCH0900304VJXFAA             |   |
|                   |   | M27 - DCH102XXX3VXXXAA             |   |
|                   |   | M28 - DCH102XXX4VXXXAA             |   |
|                   |   | M29 - DCH102XXX7VXXXAA             |   |