

Commercial 7.5 Ton Package Heat Pump

DCH0900163BHXOAA
DCH0900163BWXAAA
DCH0900163BXXJAA
DCH0900163BXXXAA
DCH0900164BAXXAB
DCH0900164BHXOAB
DCH0900164BJXLAB
DCH0900164BWDBAB
DCH0900164BXXXAB
DCH0900303BHXXAA
DCH0900303BXXXAA
DCH0900304BHMCAB
DCH090XXX3BAXHAA
DCH090XXX3BAXXAA
DCH090XXX3BAXZAA
DCH090XXX3BHXF AA
DCH090XXX3BVDBAA
DCH090XXX3BXDBAA
DCH090XXX3BXXAAA
DCH090XXX3BXXBAA
DCH090XXX3BXXXAA
DCH090XXX3BXXXAB
DCH090XXX4BXDBAB
DCH090XXX4BXXXAA
DCH090XXX4BXXXAB
DCH090XXX4BXXXAC
DCH090XXX7BXXXAA
DCH090XXX7BXXXAB



This manual is to be used by qualified technicians only.

This manual replaces RP-D1035R.

Important Information

Index

Functional Parts List	3
Illustration and Parts	4 - 17

Views shown are for parts illustrations only, not servicing procedures

Text Codes:

AR - As Required

NA - Not Available

NS - Not Shown

00000000 - See Note

QTY - Quantity Example (QTY 3) (If Quantity not shown, Quantity = 1)

M - Model Example (M1) (If M Code not shown, then part is used on all Models)

Expanded Model Nomenclature:

Example M1 - Model#1 M2 - Model#2 M3 - Model#3

Daikin Company, L.P. is not responsible for personal injury or property damage resulting from improper service. Review all service information before beginning repairs.

Warranty service must be performed by an authorized technician, using authorized factory parts. If service is required after the warranty expires, Daikin Company, L.P. also recommends contacting an authorized technician and using authorized factory parts.

Daikin Company, L.P. reserves the right to discontinue, or change at any time, specifications or designs without notice or without incurring obligations.

For assistance within the U.S.A. contact:

Equipment Support
Daikin North America, LLC
19001 Kermier Road
Waller, Texas 77484
855-770-5678-Telephone
713-863-2382-Facsimile

For assistance outside the U.S.A. contact:

International Division
Daikin North America, LLC
19001 Kermier Road
Waller, Texas 77484
713-861-2500-Telephone
713-863-2382-Facsimile

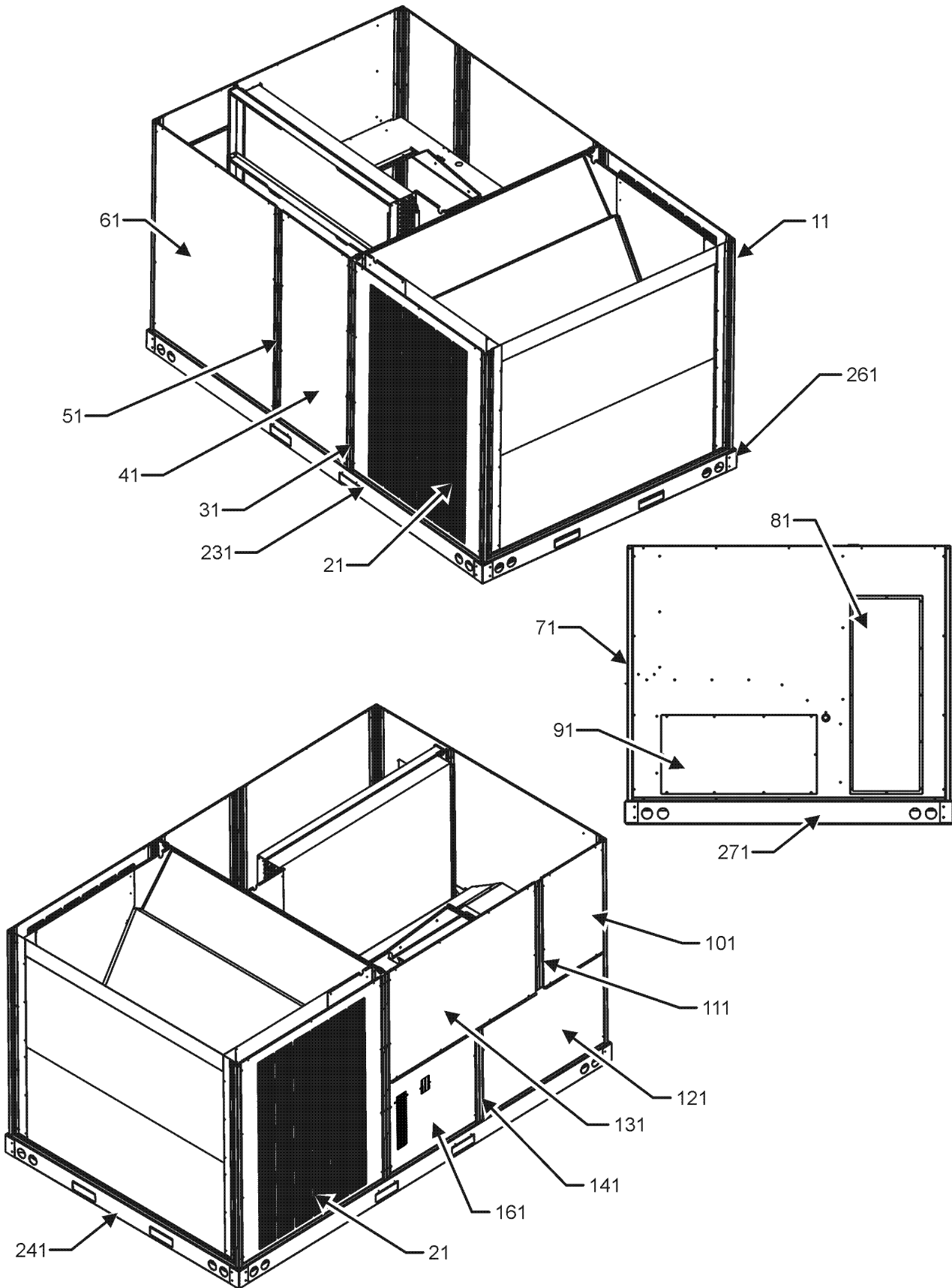
Functional Parts

Part

No: Description:

Part No:	Description:	Expanded Model Nomenclature
B3240006	BELT DRIVE MOTOR 2 HP (M1, M2, M3, M4, M5, M6, M7, M8, M9, M10, M11, M12, M13, M14, M17, M18, M19, M20, M21, M22, M23, M24, M25, M26, M27, M28)	M1 - DCH090XXX3BAXHAA M2 - DCH090XXX3BAXXAA M3 - DCH090XXX3BAXZAA M4 - DCH090XXX3BHXFAA M5 - DCH090XXX3BVDBAA M6 - DCH090XXX3BXDBAA M7 - DCH090XXX3BXXAAA M8 - DCH090XXX3BXXBAA M9 - DCH090XXX3BXXXAA M10 - DCH090XXX3BXXXAB M11 - DCH090XXX4BXDBAB M12 - DCH090XXX4BXXXAA M13 - DCH090XXX4BXXXAB M14 - DCH090XXX4BXXXAC M15 - DCH090XXX7BXXXAA M16 - DCH090XXX7BXXXAB M17 - DCH0900163BHFOAA M18 - DCH0900163BWXAAA M19 - DCH0900163BXXJAA M20 - DCH0900163BXXXAA M21 - DCH0900164BAXXAB M22 - DCH0900164BHFOAB M23 - DCH0900164BJXLAB M24 - DCH0900164BWDDBAB M25 - DCH0900164BXXXAB M26 - DCH0900303BHXXXAA M27 - DCH0900303BXXXAA M28 - DCH0900304BHM CAB
0131L00005	BELT DRIVE MOTOR 2 HP 575 V (M15, M16)	
03-77429	BLOWER WHEEL	
CAP030000440LA	CAPACITOR 3/440V (M16)	
CAP050000370LA	CAPACITOR 5/370V (M1, M2, M3, M4, M5, M6, M7, M8, M9, M10, M12, M15, M17, M18, M19, M20, M26, M27, M28)	
CAP075000370LA	CAPACITOR 7.5/370V (M11, M13, M14, M21, M22, M23, M24, M25)	
ZP39K5ETF5130	COMPRESSOR 39000, 200/230/60/3 (M1, M2, M3, M4, M5, M6, M7, M8, M9, M10, M17, M18, M19, M20, M26, M27)	
ZP39K5ETFD130	COMPRESSOR 39000, 460/60/3 (M11, M12, M13, M14, M21, M22, M23, M24, M25, M28)	
ZP39K5ETFE130	COMPRESSOR 39000, 575/60/3 (M15, M16)	
B13400269	COND MOTOR 380/460 50/60 CYCLE (M12)	
0131M00432	COND MOTOR 380/460/50/60 CYCLE (M11, M13, M14, M21, M22, M23, M24, M25)	
0131M00431	COND MOTOR 575V (M16)	
0131M00098	COND MOTOR 575V (M15)	
CONT3P025024V	CONTACTOR 25 AMP, 3P, 24V (QTY 3)	
CONT2P040024V	CONTACTOR 40 AMP, 2P, 24V	
0130M00102	CONTROL, DEFROST	
0130M00103	CONTROL, DEFROST	
0130M00031	CUT-OUT SWITCH, HIGH PRESSURE	
0130M00030	CUT-OUT SWITCH, HIGH PRESSURE	
0130L00003	CUT-OUT SWITCH, LOW PRESSURE	
0130L00002	CUT-OUT SWITCH, LOW PRESSURE (M7, M12, M19)	
PCBDM101	DEFROST CONTROL BOARD	
PCBFM103	ELECTRONIC BLOWER TIME DELAY	
0131M00847	MOTOR, 1/4 HP, 1 SP, 6 PL (M1, M2, M3, M5, M6, M7, M8, M9, M10, M17, M18, M19, M20, M26, M27)	
0164L00000	NOTCHED FAN BELT AX51	
10135604	RELAY	
0130M00242	RELAY, 24V	
0151R00071	REVERSING VALVE	
B1225022	SOLENOID COIL	
0130M00038	TERMINAL BOARD	
0130M00144	TRANSFORMER (M1, M2, M3, M4, M5, M6, M7, M8, M9, M10, M17, M18, M19, M20, M26, M27)	
0130M00145	TRANSFORMER 480V to 24V, 75VA (M11, M12, M13, M14, M21, M22, M23, M24, M25, M28)	
0130M00148	TRANSFORMER 575V to 24V, 75VA (M15, M16)	

Cabinet Assembly



Cabinet Assembly

**Ref. Part
No: No:**

Description:

**Ref. Part
No: No:**

Description:

Image 1:

11	0121L00065RFNG	CORNER POST (QTY 4)
11	0121L01407RFNG	CORNER POST (M5, M6, M11, M24, M28)
21	0121L00511NG	LOUVERED SIDE PANEL (QTY 2)
31	0121L00738RFNG	ROLL FORM SIDE POST (M1, M2, M3, M4, M7, M8, M9, M10, M12, M13, M14, M15, M16, M17, M18, M19, M20, M21, M22, M23, M25, M26, M27)
31	0121L01400RFNG	SIDE POST (M5, M6, M11, M24, M28)
41	0121L00737NG	FILTER DOOR
51	0121L00739RFNG	FILTER DOOR POST (M1, M2, M3, M4, M7, M8, M9, M10, M12, M13, M14, M15, M16, M17, M18, M19, M20, M21, M22, M23, M25, M26, M27)
51	0121L01432RFNG	FILTER DOOR POST (M5, M6, M11, M24, M28)
61	0121L00510NG	ECONOMIZER DOOR (M4, M6, M7, M8, M9, M10, M11, M12, M13, M14, M15, M16, M17, M19, M20, M22, M25, M26, M27, M28)
71	0121L01364NG	DUCT PANEL (M2, M3, M5, M6, M8, M9, M10, M11, M12, M13, M14, M15, M16, M20, M21, M25, M27)
71	0121L01365NG	DUCT PANEL (M4, M17, M18, M22, M23, M24, M26, M28)
71	0121L01366NG	DUCT PANEL (M1, M7, M19)
81	0121L00082NG	RETURN DUCT COVER
91	0121L00099NG	SUPPLY DUCT COVER
101	0121L00974NG	CONTROL DOOR
111	0121L02517RFNG	RF, PAINTED CNTL POST HINGED (M5, M6, M11, M24, M28)
111	0121L02303RFNG	RF, PAINTED CONTROL POST (M1, M2, M3, M4, M7, M8, M9, M10, M12, M13, M14, M15, M16, M17, M18, M19, M20, M21, M22, M23, M25, M26, M27)
121	0121L00767NG	ELECTRIC HEAT DOOR
131	0121L00763NG	BLOWER DOOR
141	0121L00765RFNG	BURNER BOX POST
161	0121L00828NG	BURNER AREA DOOR
231	0121L01099RF	RAIL, BASE SIDES RF (QTY 2)
241	0121L00834RF	RAIL-BASE COND END
261	0121G00301	RAIL CORNER BRACKET (QTY 4)
271	0121L00071RF	RAIL, BASE DUCT END
NS	0121L00055	BRACKET-FORK BOARD (QTY 4)
NS	0121L00727	ECONOMIZER COVER (M5, M18, M24)
NS	0121L01310	ECONOMIZER COVER (M1, M2, M3, M21, M23)
NS	0141L00006X	FORK BOARD (QTY 2)
NS	0164L00009	GASKET-RUBBER, CPOST (QTY 3)
NS	0164L00011	GASKET-RUBBER, SIDE POST (QTY 5)

Expanded Model Nomenclature

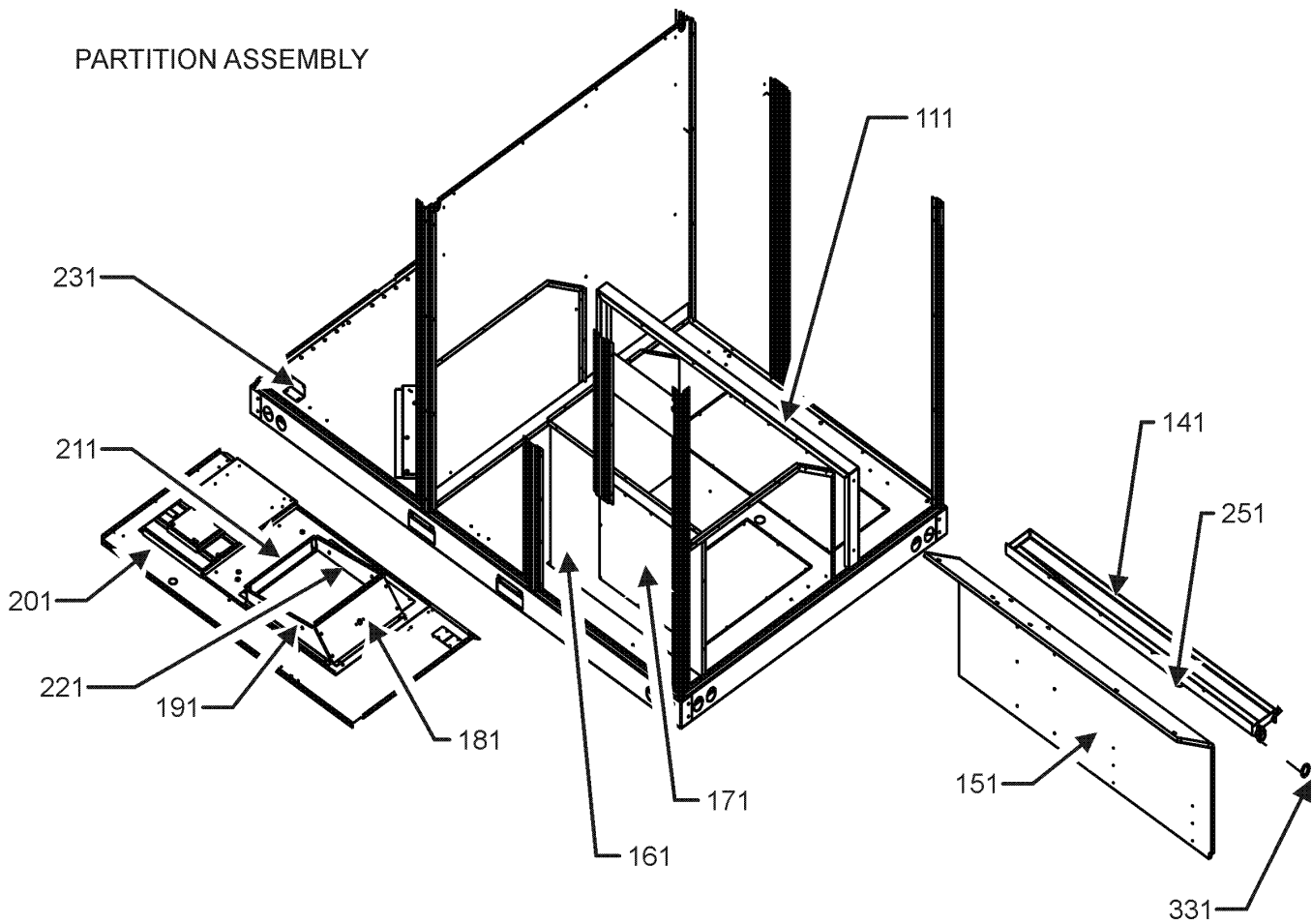
M1 - DCH090XXX3BAXHAA
M2 - DCH090XXX3BAXXAA
M3 - DCH090XXX3BAXZAA
M4 - DCH090XXX3BHXFAA
M5 - DCH090XXX3BVDBAA
M6 - DCH090XXX3BXDBAA
M7 - DCH090XXX3BXXAAA
M8 - DCH090XXX3BXXBAA
M9 - DCH090XXX3BXXXAA
M10 - DCH090XXX3BXXXAB
M11 - DCH090XXX4BXDBAB
M12 - DCH090XXX4BXXXAA
M13 - DCH090XXX4BXXXAB
M14 - DCH090XXX4BXXXAC
M15 - DCH090XXX7BXXXAA
M16 - DCH090XXX7BXXXAB
M17 - DCH0900163BHXXOAA
M18 - DCH0900163BWXAAA
M19 - DCH0900163BXXJAA
M20 - DCH0900163BXXXAA
M21 - DCH0900164BAXXAB
M22 - DCH0900164BHXXOAB
M23 - DCH0900164BJXLAB
M24 - DCH0900164BWBDBAB
M25 - DCH0900164BXXXAB
M26 - DCH0900303BHXXAA
M27 - DCH0900303BXXXAA
M28 - DCH0900304BHMCAB

Top Panel and Tubing Assembly

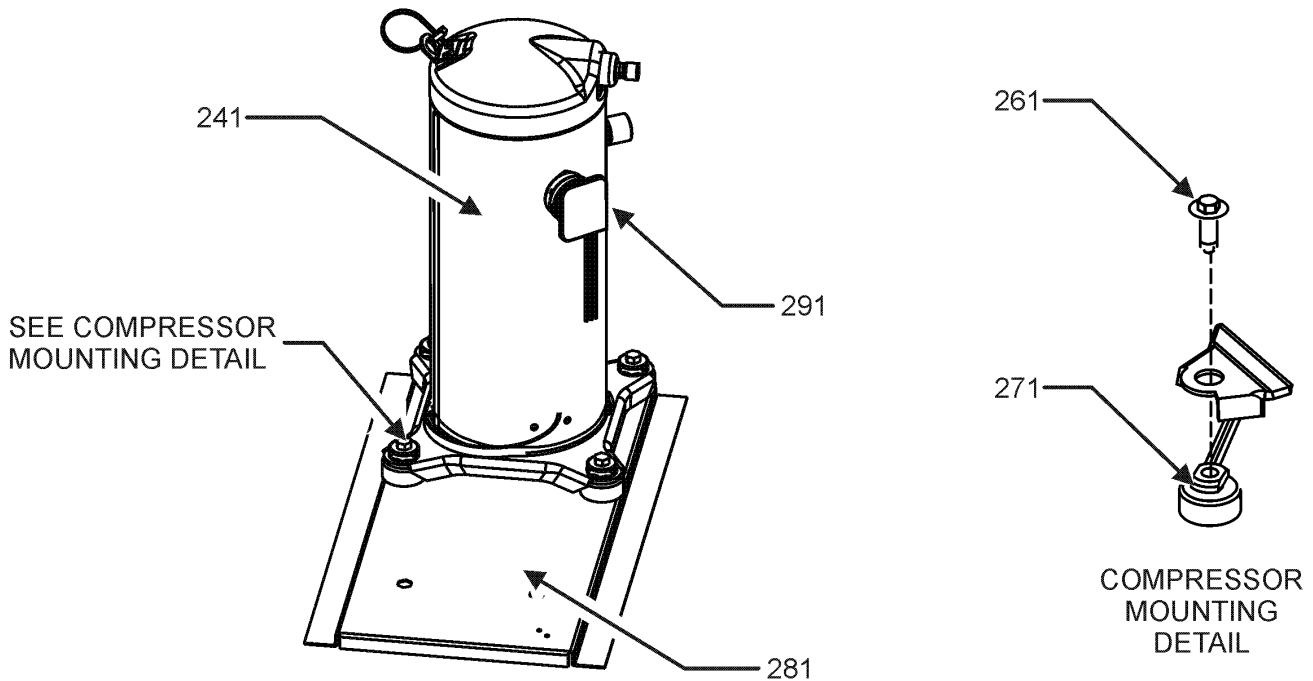
Ref. Part No:	Description:	Ref. Part No:	Description:
Image 1:		Expanded Model Nomenclature	
11	0161L00000 VENTURI RING 22" (QTY 2)	M1	DCH090XXX3BAXHAA
21	0150G00001 FAN BLADE (M19)	M2	DCH090XXX3BAXXAA
31	0152G00003 FAN GRILLE (M12, M15, M19)	M3	DCH090XXX3BAXZAA
31	0152G00000 FAN GRILLE, RAISED (M1, M2, M3, M4, M5, M6, M7, M8, M9, M10, M11, M13, M14, M16, M17, M18, M20, M21, M22, M23, M24, M25, M26, M27, M28)	M4	DCH090XXX3BHXFAA
41	0163M00006P ACORN NUT 5/16 HEX BLACK (QTY 8)	M5	DCH090XXX3BVDBAA
51	B13400269 COND MOTOR 380/460 50/60 CYCLE (M12)	M6	DCH090XXX3BXDBAA
51	0131M00432 COND MOTOR 380/460/50/60 CYCLE (M11, M13, M14, M21, M22, M23, M24, M25)	M7	DCH090XXX3BXXAAA
51	0131M00098 COND MOTOR 575V (M15)	M8	DCH090XXX3BXXBAA
51	0131M00431 COND MOTOR 575V (M16)	M9	DCH090XXX3BXXXAA
51	0131M00847 MOTOR, 1/4 HP, 1 SP, 6 PL (M1, M2, M3, M5, M6, M7, M8, M9, M10, M17, M18, M19, M20, M26, M27)	M10	DCH090XXX3BXXXAB
51	0131L00061 Motor, Cond, 1/4 HP, 208/230V (M4)	M11	DCH090XXX4BXDBAB
51	0131L00062 Motor, Cond, 1/4 HP, 460V (M28)	M12	DCH090XXX4BXXXAA
61	0163M00386 CONDUIT-FLEXIBLE (M19)	M13	DCH090XXX4BXXXAB
71	0121L00497NG TOP INDOOR	M14	DCH090XXX4BXXXAC
81	20455902 SPLICE GASKET .50 X .25 (QTY 5)	M15	DCH090XXX7BXXXAA
91	0121L01105NG TOP OUTDOOR	M16	DCH090XXX7BXXXAB
NS	0163M00175 CAP WITH O-RING (QTY 4)	M17	DCH0900163BHJOAA
NS	0259L00026 COND MOTOR HARNESS 460V (M11, M12, M13, M14, M21, M22, M23, M24, M25, M28)	M18	DCH0900163BWXAAA
NS	0259L00028 COND MOTOR HARNESS 460V (M11, M12, M13, M14, M21, M22, M23, M24, M25, M28)	M19	DCH0900163BXXJAA
NS	0259L00511 HARNESS COND MOTOR (M1, M2, M3, M4, M5, M6, M7, M8, M9, M10, M15, M16, M17, M18, M19, M20, M26, M27)	M20	DCH0900163BXXXAA
NS	0259L00512 HARNESS COND MOTOR (M1, M2, M3, M4, M5, M6, M7, M8, M9, M10, M15, M16, M17, M18, M19, M20, M26, M27)	M21	DCH0900164BAXXAB
NS	0163M00004 SCREW #10X3/4", BLACK (QTY 7)	M22	DCH0900164BHJOAB
NS	0163M00005P WASHER, BLACK (.50 OD .218ID) (QTY 8)	M23	DCH0900164BJXLAB
Image 2:		M24	DCH0900164BWD BAB
12	0151R00071 REVERSING VALVE	M25	DCH0900164BXXXAB
22	B1225022 SOLENOID COIL	M26	DCH0900303BHXXXAA
32	0130M00031 CUT-OUT SWITCH, HIGH PRESSURE	M27	DCH0900303BXXXAA
42	0130L00003 CUT-OUT SWITCH, LOW PRESSURE	M28	DCH0900304BHMCAB
52	B1219204 BI-FLOW FILTER DRIER		
62	0130L00002 CUT-OUT SWITCH, LOW PRESSURE (M7, M12, M19)		
62	0130L00003 CUT-OUT SWITCH, LOW PRESSURE (M1, M2, M3, M4, M5, M6, M8, M9, M10, M11, M13, M14, M15, M16, M17, M18, M19, M20, M21, M22, M23, M24, M25, M26, M27, M28)		
72	B1226207 ACCUMULATOR .875 (QTY 2)		
82	0130M00030 CUT-OUT SWITCH, HIGH PRESSURE		
212	0121L02129 BASE PAN, OUTDOOR		
222	0121L00944 BASE PAN-INDOOR		
232	0121L00359 SHIELD-EVAPORATOR DRIP		
NS	B1373315 ACCESS FITTING (QTY 4)		

Partition and Compressor Assembly

PARTITION ASSEMBLY



COMPRESSOR ASSEMBLY

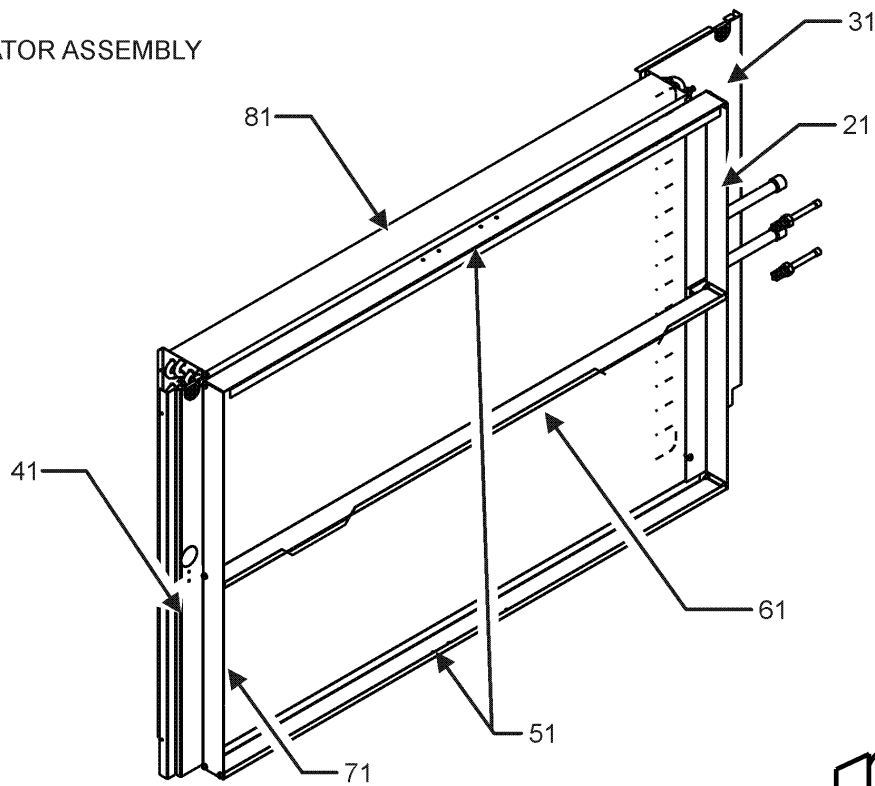


Partition and Compressor Assembly

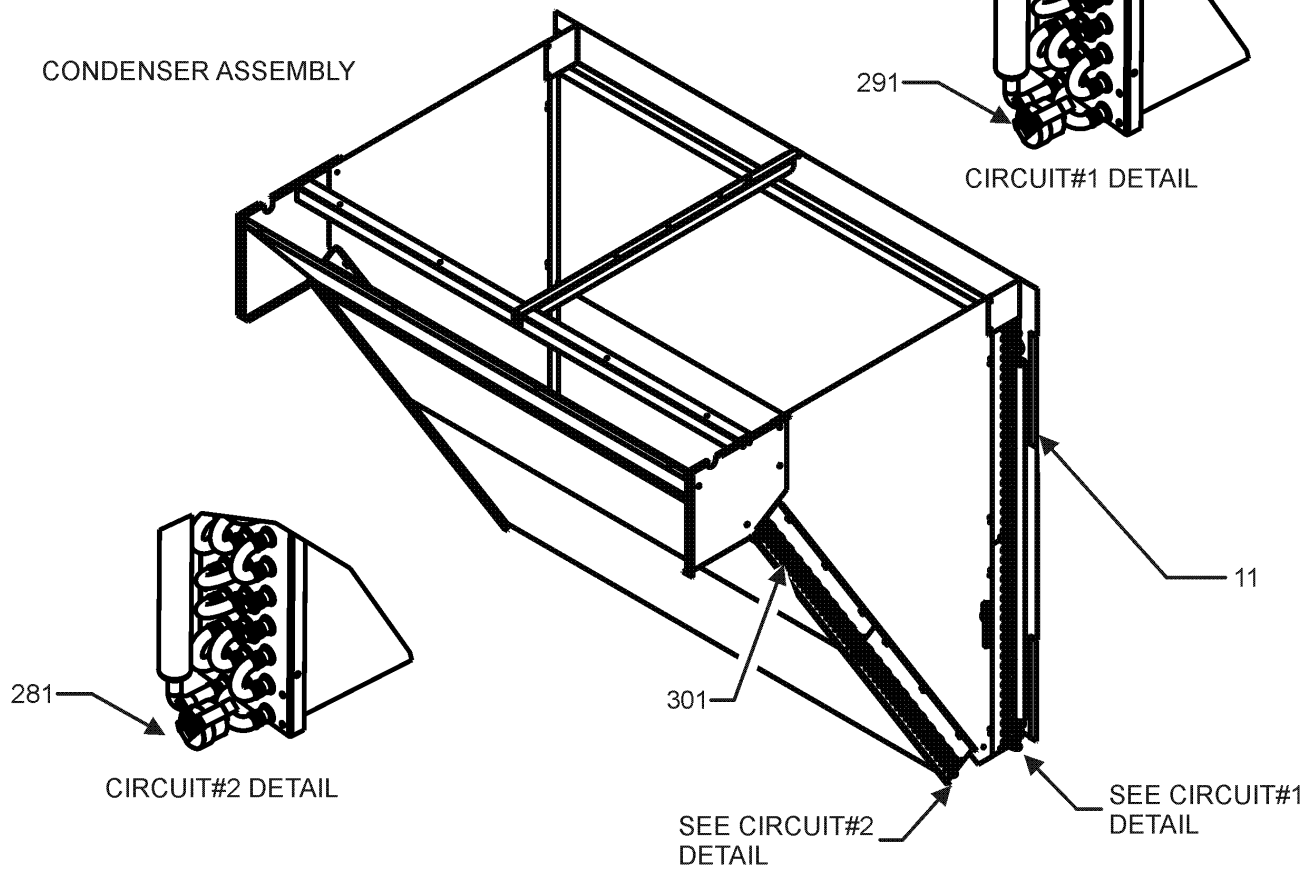
Ref. Part No: No:	Description:	Ref. Part No: No:	Description:
Image 1:		Expanded Model Nomenclature	
111	0121L00508 DRAIN PAN SUPPORT	M1	- DCH090XXX3BAXHAA
141	0161L00002 DRAIN PAN	M2	- DCH090XXX3BAXXAA
151	0121L00374 DECK SIDE CHANNEL	M3	- DCH090XXX3BAXZAA
161	0121L00365 ELECTRIC HEAT PANEL	M4	- DCH090XXX3BHXFAA
171	0121L00177 ELECTRIC HEAT COVER	M5	- DCH090XXX3BVDBAA
181	0121L00090 BLOWER TRANSITION, RH END	M6	- DCH090XXX3BXDBAA
191	0121L00092 BLOWER TRANSITION, FRONT	M7	- DCH090XXX3BXXAAA
201	0121L02500 DECK-BLOWER	M8	- DCH090XXX3BXXBAA
211	0121L00097 BLOWER TRANSITION, LH END	M9	- DCH090XXX3BXXXAA
221	0121L00145 BLOWER TRANSITION, BACK	M10	- DCH090XXX3BXXXAB
231	0121L00513 BRACE-CONDENSER (QTY 2)	M11	- DCH090XXX4BXDBAB
241	ZP39K5ETF5130 COMPRESSOR 39000, 200/230/60/3 (M1, M2, M3, M4, M5, M6, M7, M8, M9, M10, M17, M18, M19, M20, M26, M27)	M12	- DCH090XXX4BXXXAA
241	ZP39K5ETFD130 COMPRESSOR 39000, 460/60/3 (M11, M12, M13, M14, M21, M22, M23, M24, M25, M28)	M13	- DCH090XXX4BXXXAB
241	ZP39K5ETFE130 COMPRESSOR 39000, 575/60/3 (M15, M16)	M14	- DCH090XXX4BXXXAC
251	0163L00071 PLUG, DRAIN	M15	- DCH090XXX7BXXXAA
261	M0221641 TF SHOULDER SCREW (QTY 8)	M16	- DCH090XXX7BXXXAB
271	B1339533 COMPRESSOR GROMMET (QTY 8)	M17	- DCH0900163BHXA0A
281	0121L02128 COMPRESSOR MOUNTING PLATE (QTY 2)	M18	- DCH0900163BWXAAA
291	0159L00066 COMPRESSOR SCROLL HARNESS	M19	- DCH0900163BXXJAA
291	0159L00067 COMPRESSOR SCROLL HARNESS	M20	- DCH0900163BXXXAA
331	0154L00009 DRAIN PAN GASKET	M21	- DCH0900164BAXXAB
NS	0121L01398 DECK, SUPPORT BLOWER (M5, M6, M11, M24, M28)	M22	- DCH0900164BHXA0A
NS	0121L01402 DECK, SUPPORT CONTROL (M5, M6, M11, M24, M28)	M23	- DCH0900164BJXLAB
NS	0121L00321 SMOKE DETECTOR COVER (QTY 2)	M24	- DCH0900164BWDAB
		M25	- DCH0900164BXXXAB
		M26	- DCH0900303BHXXXAA
		M27	- DCH0900303BXXXAA
		M28	- DCH0900304BHMCAB

Evaporator and Condenser Assembly

EVAPORATOR ASSEMBLY



CONDENSER ASSEMBLY



Evaporator and Condenser Assembly

Ref. Part No: No:	Description:	Ref. Part No: No:	Description:
-------------------	--------------	-------------------	--------------

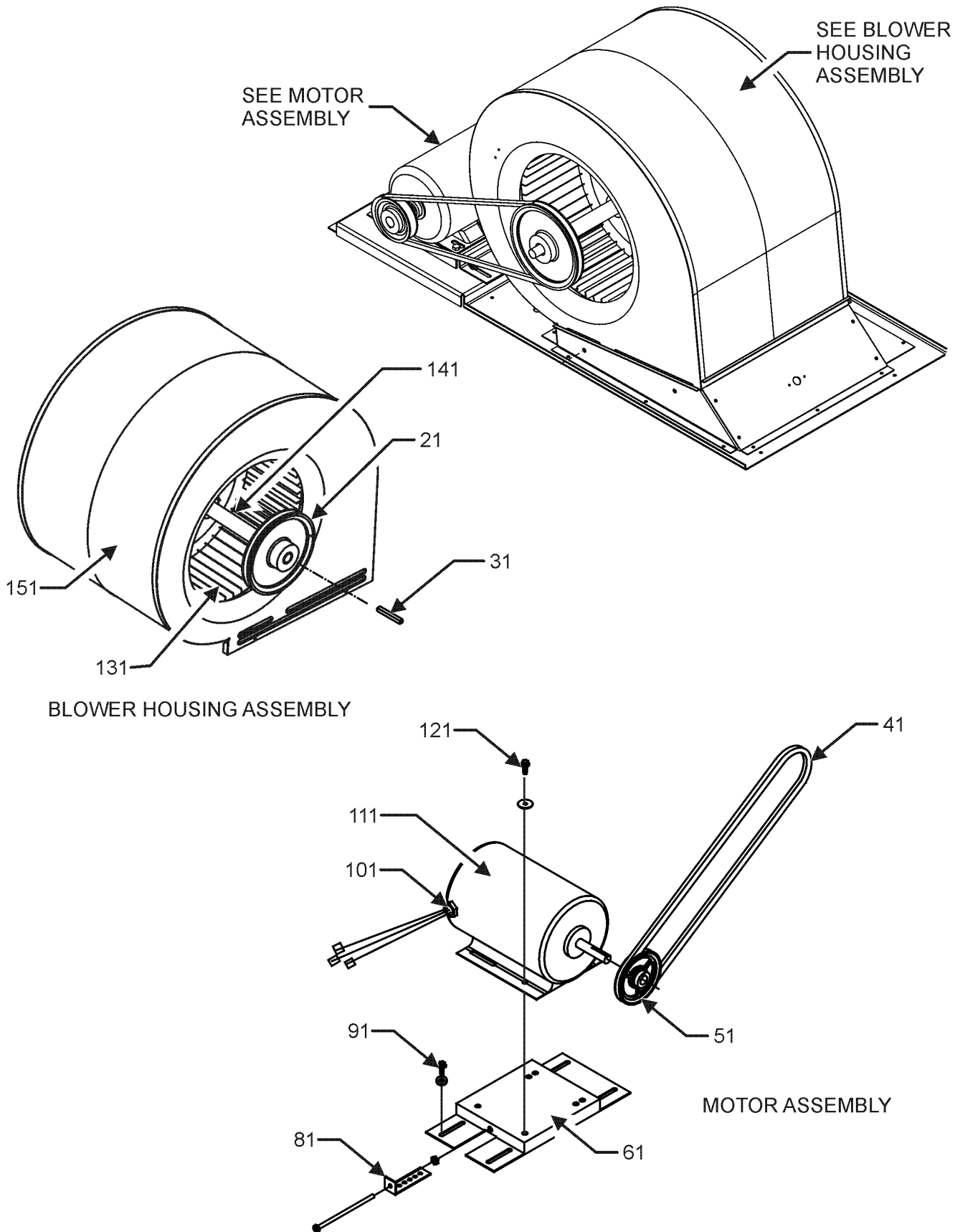
Image 1:

11	0201L00002	TUBING ASSY, COND COIL (QTY 2)
21	0121L00650	FILTER ANGLE-VERTICAL (RETURN SIDE)
31	0121L00210	EVAP EXTENSION-RETURN SIDE
41	0121L00843	EVAP EXTENSION-HAIRPIN SIDE
51	0121L00649	FILTER ANGLE - HORIZONTAL (QTY 2)
61	0121L01257	FILTER ANGLE - VERTICAL
71	0121L00358	FILTER ANGLE-VERTICAL (HAIRPIN SIDE)
81	0202L00004	TUBING ASSY, EVAP COIL (M1, M2, M3, M4, M5, M6, M7, M8, M9, M10, M11, M12, M13, M14, M17, M18, M19, M20, M21, M22, M23, M24, M25, M26, M27, M28)
81	0202L00058	TUBING ASSY, EVAP COIL (M15, M16)
281	0130M00102	CONTROL, DEFROST
291	0130M00103	CONTROL, DEFROST
301	0201L00002	TUBING ASSY, COND COIL (QTY 2)
NS	0160L00175	AIR FILTER 16 X 24 X 2 (QTY 4)

Expanded Model Nomenclature

- M1 - DCH090XXX3BAXHAA
- M2 - DCH090XXX3BAXXAA
- M3 - DCH090XXX3BAXZAA
- M4 - DCH090XXX3BHXF AA
- M5 - DCH090XXX3BVDBAA
- M6 - DCH090XXX3BXDBAA
- M7 - DCH090XXX3BXXAAA
- M8 - DCH090XXX3BXXBAA
- M9 - DCH090XXX3BXXXAA
- M10 - DCH090XXX3BXXXAB
- M11 - DCH090XXX4BXDBAB
- M12 - DCH090XXX4BXXXAA
- M13 - DCH090XXX4BXXXAB
- M14 - DCH090XXX4BXXXAC
- M15 - DCH090XXX7BXXXAA
- M16 - DCH090XXX7BXXXAB
- M17 - DCH0900163BH XOAA
- M18 - DCH0900163BWXAAA
- M19 - DCH0900163BXXJAA
- M20 - DCH0900163BXXXAA
- M21 - DCH0900164BAXXAB
- M22 - DCH0900164BH XOAB
- M23 - DCH0900164BJXLAB
- M24 - DCH0900164BWDBAB
- M25 - DCH0900164BXXXAB
- M26 - DCH0900303BHXXAA
- M27 - DCH0900303BXXXAA
- M28 - DCH0900304BHMCAB

Blower Assembly



Blower Assembly

Ref. Part No: No:	Description:	Ref. Part No: No:	Description:
-------------------	--------------	-------------------	--------------

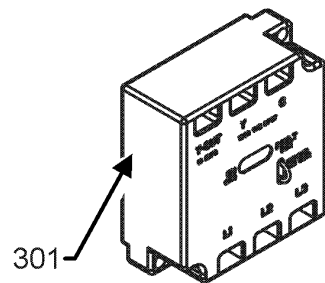
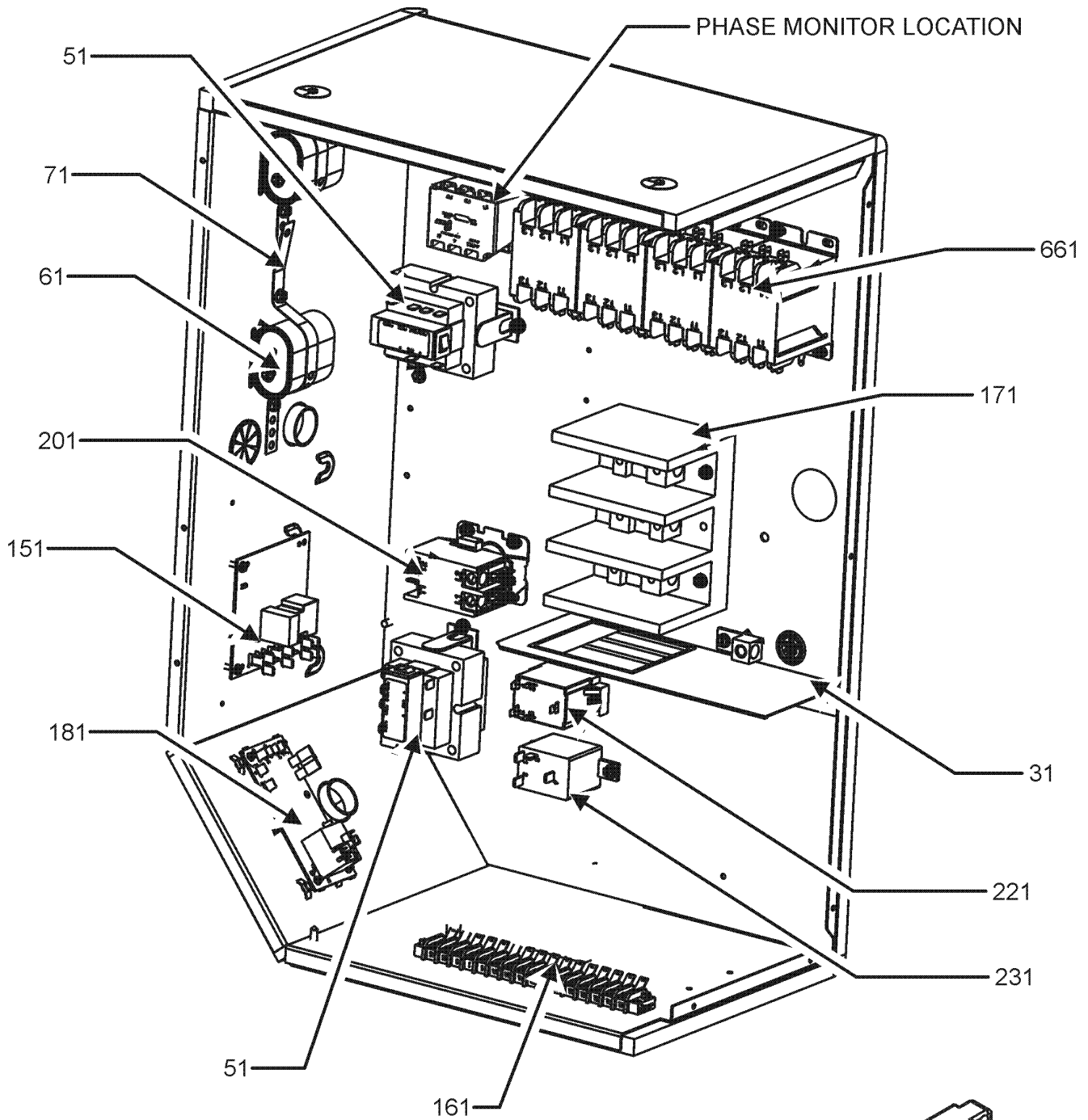
Image 1:

21	0163L00134	SHEAVE, FIXED AK74H
31	B1398604	STEEL KEY (000158812) 2.0"
41	0164L00000	NOTCHED FAN BELT AX51
51	0163L00012	VARIABLE PITCH SHEAVE VL40
61	0270L00015	MOTOR BASE ASSY
71	0163M00045	BOLT 1/4-20 X 4"
81	3225000F	BELT TIGHTENER ANGLE
91	B1446707	SCREW 5/16-18 X 1" (QTY 4)
101	B1393726	ELECT. CONNECTING BUSHING
111	B3240006	BELT DRIVE MOTOR 2 HP (M1, M2, M3, M4, M5, M6, M7, M8, M9, M10, M11, M12, M13, M14, M17, M18, M19, M20, M21, M22, M23, M24, M25, M26, M27, M28)
111	0131L00005	BELT DRIVE MOTOR 2 HP 575 V (M15, M16)
121	B1393738	BOLT 1/4-20 X 3/4" (QTY 3)
131	03-77429	BLOWER WHEEL
141	04-11525	BLOWER SHAFT
151	04-01525	BLOWER HOUSING
NS	04-02196	BEARING & FRAME ASSY
NS	0259L00008	MOTOR HARNESS-BELT DRIVE

Expanded Model Nomenclature

M1 - DCH090XXX3BAXHAA
M2 - DCH090XXX3BAXXAA
M3 - DCH090XXX3BAXZAA
M4 - DCH090XXX3BHXFAA
M5 - DCH090XXX3BVDBAA
M6 - DCH090XXX3BXDBAA
M7 - DCH090XXX3BXXAAA
M8 - DCH090XXX3BXXBAA
M9 - DCH090XXX3BXXXAA
M10 - DCH090XXX3BXXXAB
M11 - DCH090XXX4BXDBAB
M12 - DCH090XXX4BXXXAA
M13 - DCH090XXX4BXXXAB
M14 - DCH090XXX4BXXXAC
M15 - DCH090XXX7BXXXAA
M16 - DCH090XXX7BXXXAB
M17 - DCH0900163BHXOAA
M18 - DCH0900163BWXAAA
M19 - DCH0900163BXXJAA
M20 - DCH0900163BXXXAA
M21 - DCH0900164BAXXAB
M22 - DCH0900164BHXOAB
M23 - DCH0900164BJXLAB
M24 - DCH0900164BWDAB
M25 - DCH0900164BXXXAB
M26 - DCH0900303BHXXAA
M27 - DCH0900303BXXXAA
M28 - DCH0900304BHMCAB

Control Box Assembly



PHASE MONITOR DETAIL

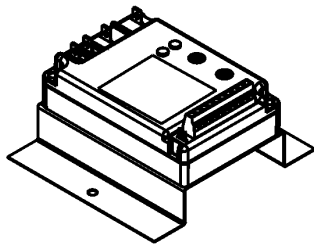
Control Box Assembly

Ref. Part No: No:	Description:	Ref. Part No: No:	Description:
Image 1:		Expanded Model Nomenclature	
31	0121G00491 VOLTAGE BARRIER	M1	DCH090XXX3BAXHAA
51	0130M00144 TRANSFORMER (M1, M2, M3, M4, M5, M6, M7, M8, M9, M10, M17, M18, M19, M20, M26, M27)	M2	DCH090XXX3BAXXAA
51	0130M00145 TRANSFORMER 480V to 24V, 75VA (M11, M12, M13, M14, M21, M22, M23, M24, M25, M28)	M3	DCH090XXX3BAXZAA
51	0130M00148 TRANSFORMER 575V to 24V, 75VA (M15, M16)	M4	DCH090XXX3BHXF AA
61	CAP030000440LA CAPACITOR 3/440V (M16)	M5	DCH090XXX3BVDBAA
61	CAP050000370LA CAPACITOR 5/370V (M1, M2, M3, M4, M5, M6, M7, M8, M9, M10, M12, M15, M17, M18, M19, M20, M26, M27, M28)	M6	DCH090XXX3BXDBAA
61	CAP075000370LA CAPACITOR 7.5/370V (M11, M13, M14, M21, M22, M23, M24, M25)	M7	DCH090XXX3BXXAAA
71	20520901 CAPACITOR STRAP (QTY 2)	M8	DCH090XXX3BXXBAA
151	PCBDM101 DEFROST CONTROL BOARD	M9	DCH090XXX3BXXXAA
161	0130M00038 TERMINAL BOARD	M10	DCH090XXX3BXXXAB
171	0130M00042 BLOCK, POWER	M11	DCH090XXX4BXDBAB
181	PCBFM103 ELECTRONIC BLOWER TIME DELAY	M12	DCH090XXX4BXXXAA
201	CONT2P040024V CONTACTOR 40 AMP, 2P, 24V	M13	DCH090XXX4BXXXAB
221	10135604 RELAY	M14	DCH090XXX4BXXXAC
231	0130M00242 RELAY, 24V	M15	DCH090XXX7BXXXAA
301	0130L00105 PHASE MONITOR (M28)	M16	DCH090XXX7BXXXAB
661	CONT3P025024V CONTACTOR 25 AMP, 3P, 24V (QTY 3)	M17	DCH0900163BH XOAA
NS	0259L00303 COND FAN/TRANSFORMER HARNESS	M18	DCH0900163BWXAAA
NS	0259L00159 DEFROST BOARD HARNESS	M19	DCH0900163BXXJAA
NS	0259L00157 DEFROST RELAY HARNESS	M20	DCH0900163BXXXAA
NS	0259L00165 ECONOMIZER HARNESS	M21	DCH0900164BAXXAB
NS	0259L00496 HARNESS, NON POW, CONV, OUT (M1, M4, M7, M18, M19, M23)	M22	DCH0900164BH XOAB
NS	0259L00092 HARNESS-SMOKE DETECTOR SENSOR (M1, M3, M17, M19, M22, M23)	M23	DCH0900164BJXLAB
NS	0259L00032 LCM HARNESS, ELECTRIC HEAT	M24	DCH0900164BWD BAB
NS	0259L00427 WIRE ASSY (M28)	M25	DCH0900164BXXXAB
NS	0259L00428 WIRE ASSY (M28)	M26	DCH0900303BHXXAA
NS	0259L00502 WIRE HARNESS	M27	DCH0900303BXXXAA
NS	0259L00148 WIRE HARNESS ASSY	M28	DCH0900304BHMCAB
NS	0259L00150 WIRE HARNESS ASSY		
NS	0259L00151 WIRE HARNESS ASSY		
NS	0259L00156 WIRE HARNESS ASSY		
NS	0259L00158 WIRE HARNESS ASSY		
NS	0259L00090 WIRE HARNESS-SMOKE DETECTOR (M1, M3, M17, M19, M22, M23)		

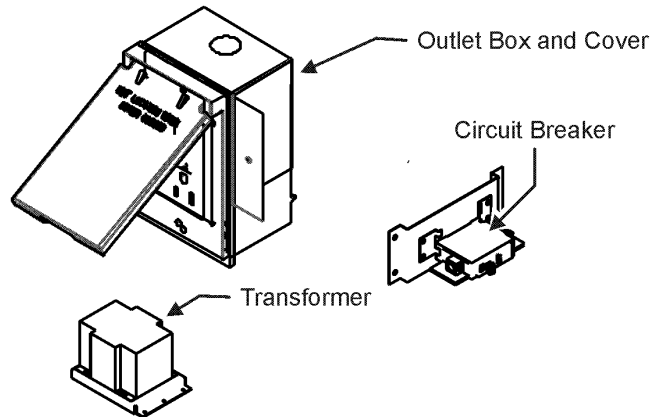
ACCESSORY PARTS LIST

NOTE: NOT ALL OPTIONS AVAILABLE FOR ALL PRODUCTS

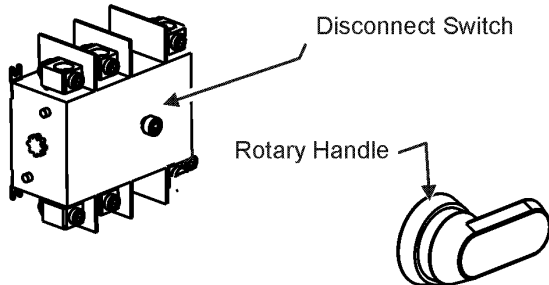
1 LOW AMBIENT KITS



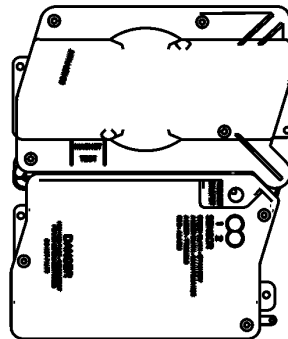
2 GFCI CONVENIENCE OUTLET



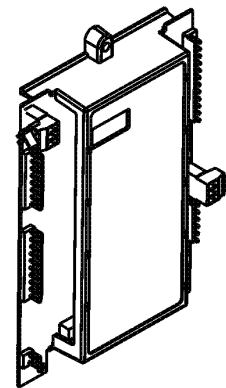
3 DISCONNECT MODULE (NON-FUSED)



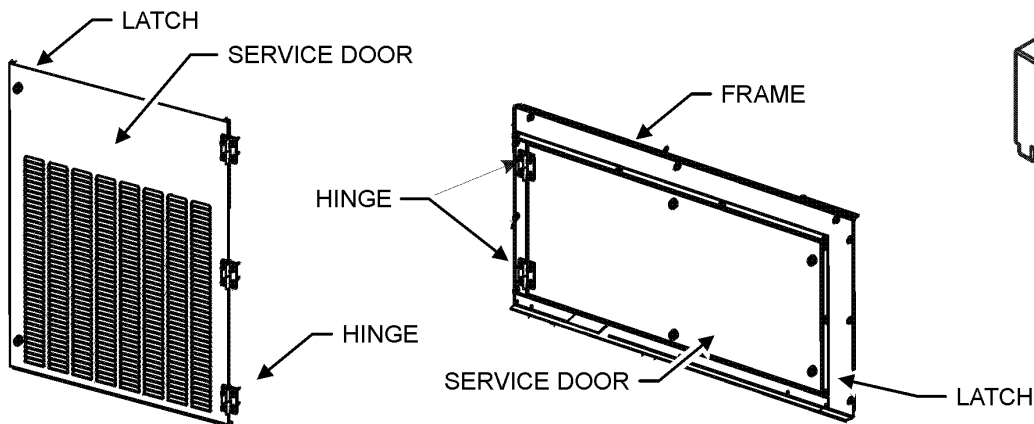
4 SMOKE DETECTORS



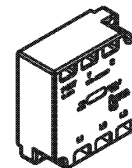
5 DDC CONTROL



6 HINGED DOOR ASSEMBLIES



7 PHASE MONITOR



Accessory Parts

Ref. Part No:	No:	Description:	Ref. Part No:	No:	Description:
Image 1:			Image 1:		
NS	EHK3-16	15 KW 208-230/3 ELECTRIC HEAT (M17, M19, M20)	NS	0130L00046	SWITCH-DISCONNECT 60A (M22, M23)
NS	EHK4-16	15 KW 460/3 ELECTRIC HEAT (M18, M21, M22, M23, M24, M25)	NS	0130M00061	TRANSFORMER, CONVENIENCE OUTLET (M5, M6, M8, M11, M17, M22, M24)
NS	DDNECNJ90150B	7.5-12.5 TON DFLOW ECON (M5, M18, M24)	Expanded Model Nomenclature M1 - DCH090XXX3BAXHAA M2 - DCH090XXX3BAXXAA M3 - DCH090XXX3BAXZAA M4 - DCH090XXX3BHXFAA M5 - DCH090XXX3BVDBAA M6 - DCH090XXX3BXDBAA M7 - DCH090XXX3BXXAAA M8 - DCH090XXX3BXXBAA M9 - DCH090XXX3BXXXAA M10 - DCH090XXX3BXXXAB M11 - DCH090XXX4BXDBAB M12 - DCH090XXX4BXXXAA M13 - DCH090XXX4BXXXAB M14 - DCH090XXX4BXXXAC M15 - DCH090XXX7BXXXAA M16 - DCH090XXX7BXXXAB M17 - DCH0900163BHXXOAA M18 - DCH0900163BWXAAA M19 - DCH0900163BXXJAA M20 - DCH0900163BXXXAA M21 - DCH0900164BAXXAB M22 - DCH0900164BHXXOAB M23 - DCH0900164BJXLAB M24 - DCH0900164BWXDBAB M25 - DCH0900164BXXXAB M26 - DCH0900303BHXXXAA M27 - DCH0900303BXXXAA M28 - DCH0900304BHMCAB		
NS	1036610B	7.5-12.5 TON DFLOW ECONOMIZER (M1, M2, M3, M21, M23)			
NS	0121L00316	BRACKET-CONV OUTLET MOUNT (M1, M4, M5, M6, M7, M8, M11, M17, M18, M19, M22, M23, M24)			
NS	0121L00768	BRACKET-SMOKE DETECTOR (M3, M17, M19, M22, M23)			
NS	0130M00065	CIRCUIT BREAKER, CONVENIENCE OUTLET (M5, M6, M8, M11, M17, M22, M24)			
NS	0121L00973NG	DISCONNECT SWITCH COVER (M4, M17, M18, M22, M23, M24, M26, M28)			
NS	0121L01397NG	DOOR FRAME, BLOWER (M5, M6, M11, M24, M28)			
NS	0121L01406NG	DOOR FRAME, CONTROL (M5, M6, M11, M24, M28)			
NS	0121L02481NG	DOOR, SERVICE, BACK, BLOWER (M5, M6, M11, M24, M28)			
NS	0121L02480NG	DOOR, SERVICE, FRONT, BLOWER (M5, M6, M11, M24, M28)			
NS	EHK3-30	ELECTRIC HEATER KIT (M26, M27)			
NS	EHK4-30	ELECTRIC HEATER KIT (M28)			
NS	0130L00012	GANG BOX-GFCI OUTLET (M1, M4, M5, M6, M7, M8, M11, M17, M18, M19, M22, M23, M24)			
NS	0130L00039	HANDLE, ROTARY (M4, M17, M18, M22, M23, M24, M26, M28)			
NS	0163M00307	HINGE, LEFT HAND (M5, M6, M11, M24, M28)			
NS	0163M00308	HINGE, RIGHT HAND (M5, M6, M11, M24, M28)			
NS	0163M00322	LATCH (M5, M6, M11, M24, M28)			
NS	0130M00059	LOW AMBIENT KIT (M4, M23, M28)			
NS	0121L02220NG	PNT, DOOR FRAME FILTER (M5, M6, M11, M24, M28)			
NS	0121L02223NG	PNT, SERVICE DOOR BACK FILTER (M5, M6, M11, M24, M28)			
NS	0121L02218NG	PNT, SERVICE DOOR FRONT FILTER (M5, M6, M11, M24, M28)			
NS	0161G00012	POWER OUTLET BOX (M1, M4, M5, M6, M7, M8, M11, M17, M18, M19, M22, M23, M24)			
NS	0130L00103	RECEPTACLE-GFCI OUTLET (M1, M4, M5, M6, M7, M8, M11, M17, M18, M19, M22, M23, M24)			
NS	0121L01404NG	SERVICE DOOR BACK, CONTROL (M5, M6, M11, M24, M28)			
NS	0121L01403NG	SERVICE DOOR FRONT, CONTROL (M5, M6, M11, M24, M28)			
NS	0130L00043	SHAFT, CUT (M4, M18, M26)			
NS	0130L00056	SHAFT, CUT (M17, M24, M28)			
NS	0130L00057	SHAFT, CUT (M22, M23)			
NS	0130L00049	SHAFT, DISCONNECT (M4, M17, M18, M22, M23, M24, M26, M28)			
NS	D4120	SMOKE DETECTOR, PHOTO 4WIRE (M3, M17, M19, M22, M23)			
NS	D4S	SMOKE DETECTOR, SENSOR ONLY (M3, M17, M19, M22, M23)			
NS	0130L00027	SWITCH-DISCONNECT 100A (M17, M24, M28)			
NS	0130L00033	SWITCH-DISCONNECT 200A (M4, M18, M26)			