

Commercial 6 Ton High Static Package Heat Pump

DCH0720153WVDXAA
DCH0720153WWBBAA
DCH072XXX3WJDAAA
DCH072XXX4WXXXAA



This manual is to be used by qualified technicians only.

This manual replaces RP-D1203A.

Important Information

Index

Functional Parts List	3
Illustration and Parts	4 - 15

Views shown are for parts illustrations only, not servicing procedures

Text Codes:

AR - As Required

NA - Not Available

NS - Not Shown

00000000 - See Note

QTY - Quantity Example (QTY 3) (If Quantity not shown, Quantity = 1)

M - Model Example (M1) (If M Code not shown, then part is used on all Models)

Expanded Model Nomenclature:

Example M1 - Model#1 M2 - Model#2 M3 - Model#3

Daikin Company, L.P. is not responsible for personal injury or property damage resulting from improper service. Review all service information before beginning repairs.

Warranty service must be performed by an authorized technician, using authorized factory parts. If service is required after the warranty expires, Daikin Company, L.P. also recommends contacting an authorized technician and using authorized factory parts.

Daikin Company, L.P. reserves the right to discontinue, or change at any time, specifications or designs without notice or without incurring obligations.

For assistance within the U.S.A. contact:

Equipment Support
Daikin North America, LLC
19001 Kermier Road
Waller, Texas 77484
855-770-5678-Telephone
713-863-2382-Facsimile

For assistance outside the U.S.A. contact:

International Division
Daikin North America, LLC
19001 Kermier Road
Waller, Texas 77484
713-861-2500-Telephone
713-863-2382-Facsimile

Functional Parts

Part

No: Description:

0130M00025	24V RELAY (M2)
B1368056	BELT DRIVE BLOWER WHEEL
CAP100000370LA	CAPACITOR 10/370V
ZPS60K5ETF5130	COMP, 61000, 200/230/60/3 2 ST (M1, M3, M4)
0131M00430	COND MOTOR 1/3 HP, 1 SP, 6 PL (M1, M3, M4)
CONT3P025024V	CONT, 3 POLE, 25 AMP, 24 VAC (M2)
CONT3P030024V	CONT, 3 POLE, 30 AMP, 24 VAC (M1, M3, M4)
0130M00101	CONTROL, DEFROST
0130L00017	CRANK CASE HEATER-70W 240V (M1, M3, M4)
0130L00018	CRANK CASE HEATER-70W, 480V (M2)
0130M00074	CUT-OUT SWITCH, HIGH PRESSURE
0130M00075	CUT-OUT SWITCH, LOW PRESSURE
PCBDM133	DEFROST CONTROL BOARD
0130M00106	DISC THERMOSTAT CRNKCS HTR SW
PCBFM103	ELECTRONIC BLOWER TIME DELAY
0164L00010	FAN BELT, NOTCHED
B1086765	FAN BLADE TYPE 3
0131L00041	MOTOR 2 HP BELT DRIVE 208-230V (M1, M3, M4)
0131L00043	MOTOR 2HP BELT DRIVE 460V (M2)
0131M00774	MOTOR, 1/3 HP, OD (M2)
10135604	RELAY (QTY 5)
0151R00071	REVERSING VALVE
B1225022	SOLENOID COIL
0130M00240	TERMINAL BOARD
0130M00594	TRANSFORMER (M1, M3, M4)
0130M00595	TRANSFORMER, 75VA, 480V TO 24V (M2)

Expanded Model Nomenclature

- | |
|-----------------------|
| M1 - DCH072XXX3WJDAAA |
| M2 - DCH072XXX4WXXXAA |
| M3 - DCH0720153WVDXAA |
| M4 - DCH0720153WWBBAA |

Top Panel and Tubing Assembly

IMAGE 1

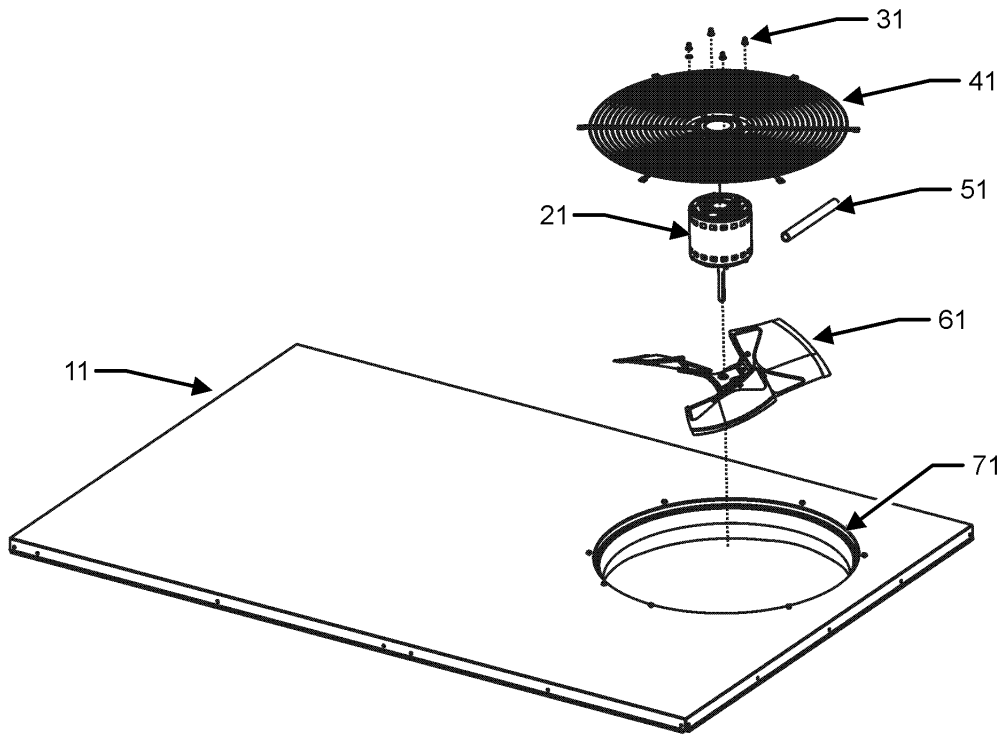
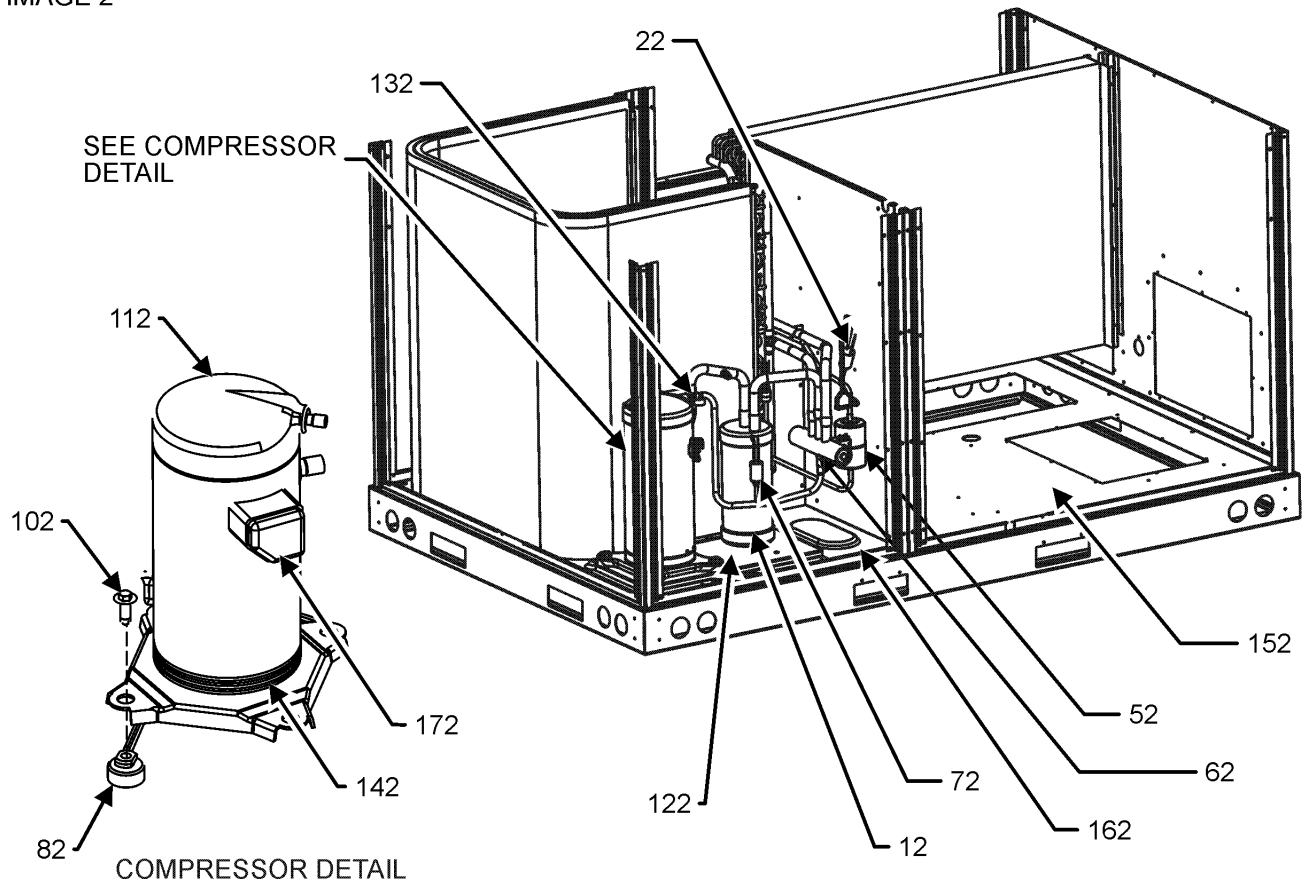


IMAGE 2



Top Panel and Tubing Assembly

Ref. Part No: No:	Description:	Ref. Part No: No:	Description:
-------------------	--------------	-------------------	--------------

Image 1:

11	0121L00235NG	TOP PANEL
21	0131M00430	COND MOTOR 1/3 HP, 1 SP, 6 PL (M1, M3, M4)
21	0131M00774	MOTOR, 1/3 HP, OD (M2)
31	0163M00006P	ACORN NUT 5/16 HEX BLACK (QTY 4)
41	0152G00003	FAN GRILLE
51	0161R00003P	CONDUIT
61	B1086765	FAN BLADE TYPE 3
71	0161L00000	VENTURI RING 22"
NS	0163M00004	SCREW #10X3/4", BLACK (QTY 18)
NS	0163M00005P	WASHER, BLACK (.50 OD .218ID) (QTY 4)

Image 2:

12	B1226207	ACCUMULATOR .875
22	0130M00075	CUT-OUT SWITCH, LOW PRESSURE
52	20485201	BI-FLOW FILTER DRIER
62	0151R00071	REVERSING VALVE
72	0130M00074	CUT-OUT SWITCH, HIGH PRESSURE
82	B1339533	COMPRESSOR GROMMET (QTY 4)
102	M0221641	TF SHOULDER SCREW (QTY 4)
112	ZPS60K5ETF5130	COMP, 61000, 200/230/60/3 2 ST (M1, M3, M4)
122	0121L01308	MOUNTING PLATE-COMPRESSOR
132	0130M00106	DISC THERMOSTAT CRNKCS HTR SW
142	0130L00017	CRANK CASE HEATER-70W 240V (M1, M3, M4)
142	0130L00018	CRANK CASE HEATER-70W, 480V (M2)
152	0121L02619	BASE PAN, INDOOR
162	0121L01990	BASE PAN-OUTDOOR
172	0159L00065	COMPRESSOR SCROLL HARNESS
NS	B1373315	ACCESS FITTING (QTY 2)
NS	0159G00010	CABLE, COMPR SOL
NS	0163M00175	CAP WITH O-RING (QTY 2)
NS	B1225022	SOLENOID COIL

Expanded Model Nomenclature

M1 - DCH072XXX3WJDAAA
M2 - DCH072XXX4WXXXAA
M3 - DCH0720153WV DXAA
M4 - DCH0720153WWBBAA

Cabinet Assembly

IMAGE 1

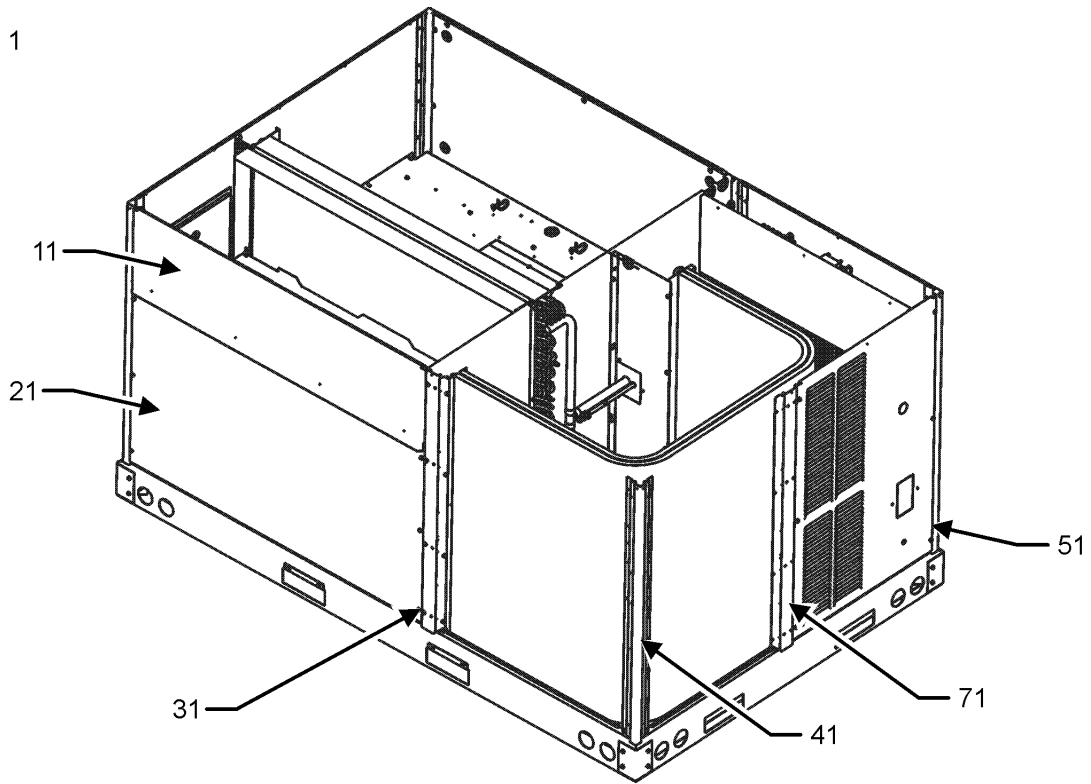
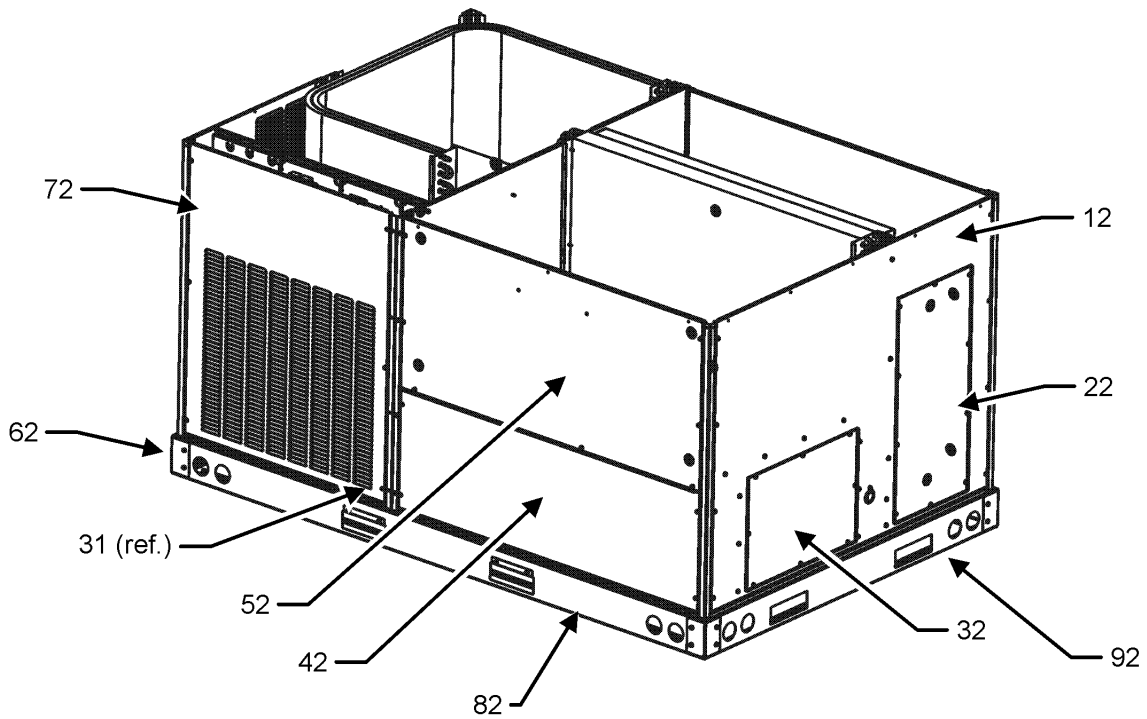


IMAGE 2



Cabinet Assembly

Ref. Part No:	No:	Description:	Ref. Part No:	No:	Description:
---------------	-----	--------------	---------------	-----	--------------

Image 1:

11	0270L00363NG	FILTER DOOR
21	0121L00976NG	ECONOMIZER DOOR (M2, M3, M4)
31	0121L00343RFNG	POST-SIDE RF PAINTED (QTY 2)
41	0121L00344RFNG	CORNER POST (QTY 2)
41	0121L02554RFNG	PNT, CORNER POST (M1, M3)
51	0121L00354NG	LOUVERED COMPRESSOR PANEL (M1, M2, M3)
51	0121L00840NG	LOUVERED COMPRESSOR PANEL (M4)
71	0121L01169RFNG	POST-SIDE RF PAINTED (M2, M4)
71	0121L01382RFNG	SIDE POST (M1, M3)
NS	0121L01309	ECONOMIZER COVER (M1)
NS	0164L00009	GASKET-RUBBER, CPOST (QTY 3)
NS	0164L00011	GASKET-RUBBER, SIDE POST (QTY 2)

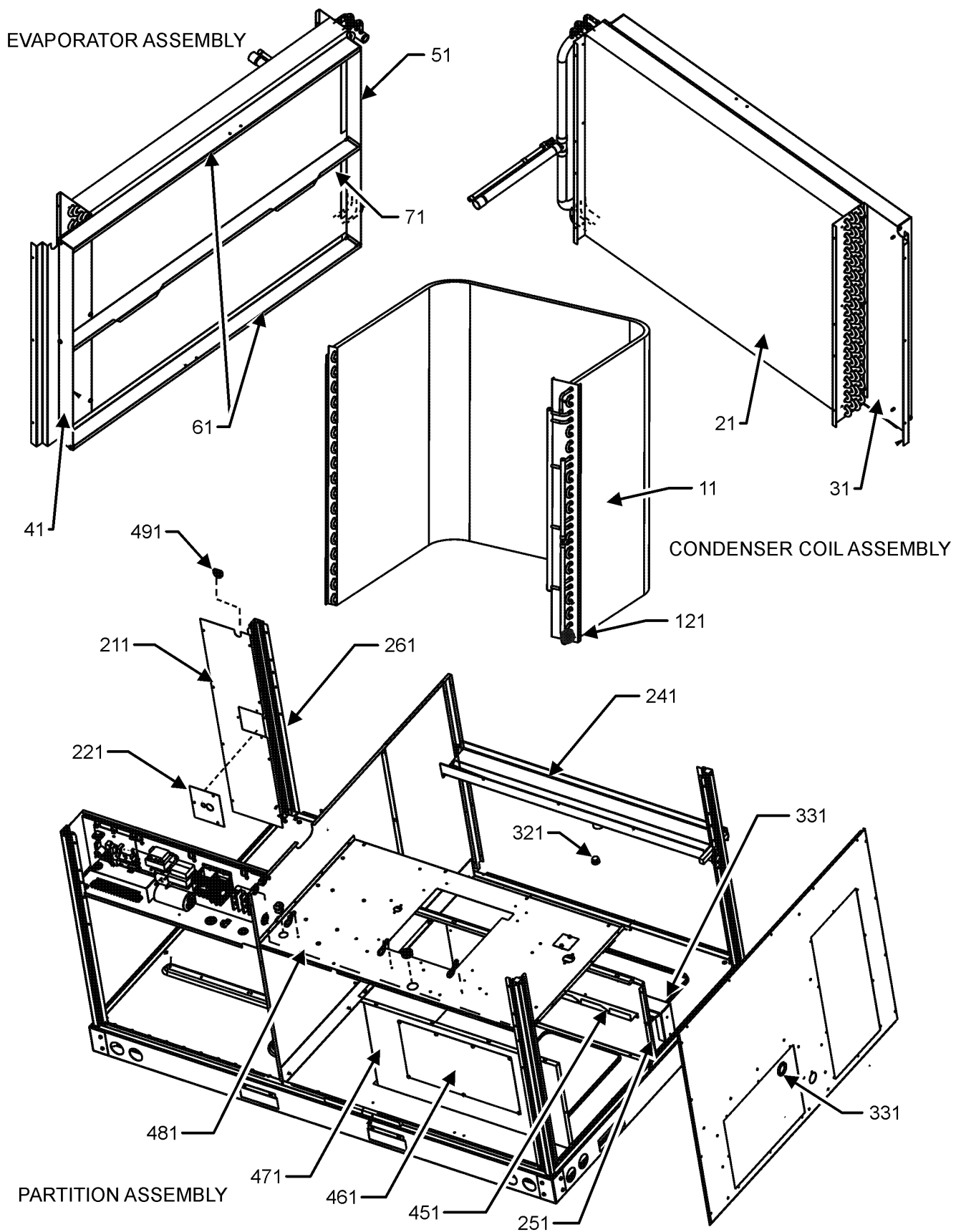
Image 2:

12	0121L00342NG	DUCT PANEL
22	0121L00023NG	RETURN DUCT COVER
32	0121L00024NG	SUPPLY DUCT COVER
42	0121L01176NG	ELECTRIC HEAT DOOR
52	0121L01172NG	BLOWER DOOR
62	0121G00301	RAIL CORNER BRACKET (QTY 4)
72	0121L01170NG	LOUVERED CONTROL PANEL (M2, M4)
72	0121L02552NG	PNT, CONTROL DOOR (M1, M3)
82	0121L00244RF	SIDE RAIL (QTY 2)
92	0121L00245	END RAIL
NS	0141L00003X	FORK BOARD (QTY 2)
NS	0121L00055	FORK BOARD BRACKET (QTY 4)

Expanded Model Nomenclature

M1 - DCH072XXX3WJDAAA
M2 - DCH072XXX4WXXXAA
M3 - DCH0720153WV DXAA
M4 - DCH0720153WWBBAA

Condenser/Evaporator/Partition Assembly



Condenser/Evaporator/Partition Assembly

Ref. Part No:	Part No:	Description:	Ref. Part No:	Part No:	Description:
---------------	----------	--------------	---------------	----------	--------------

Image 1:

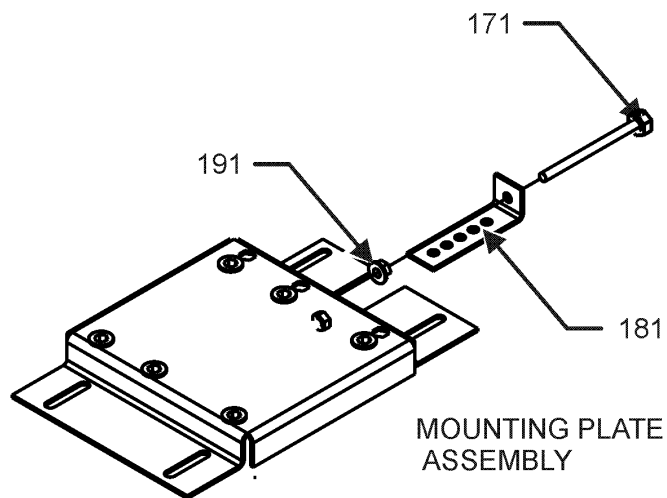
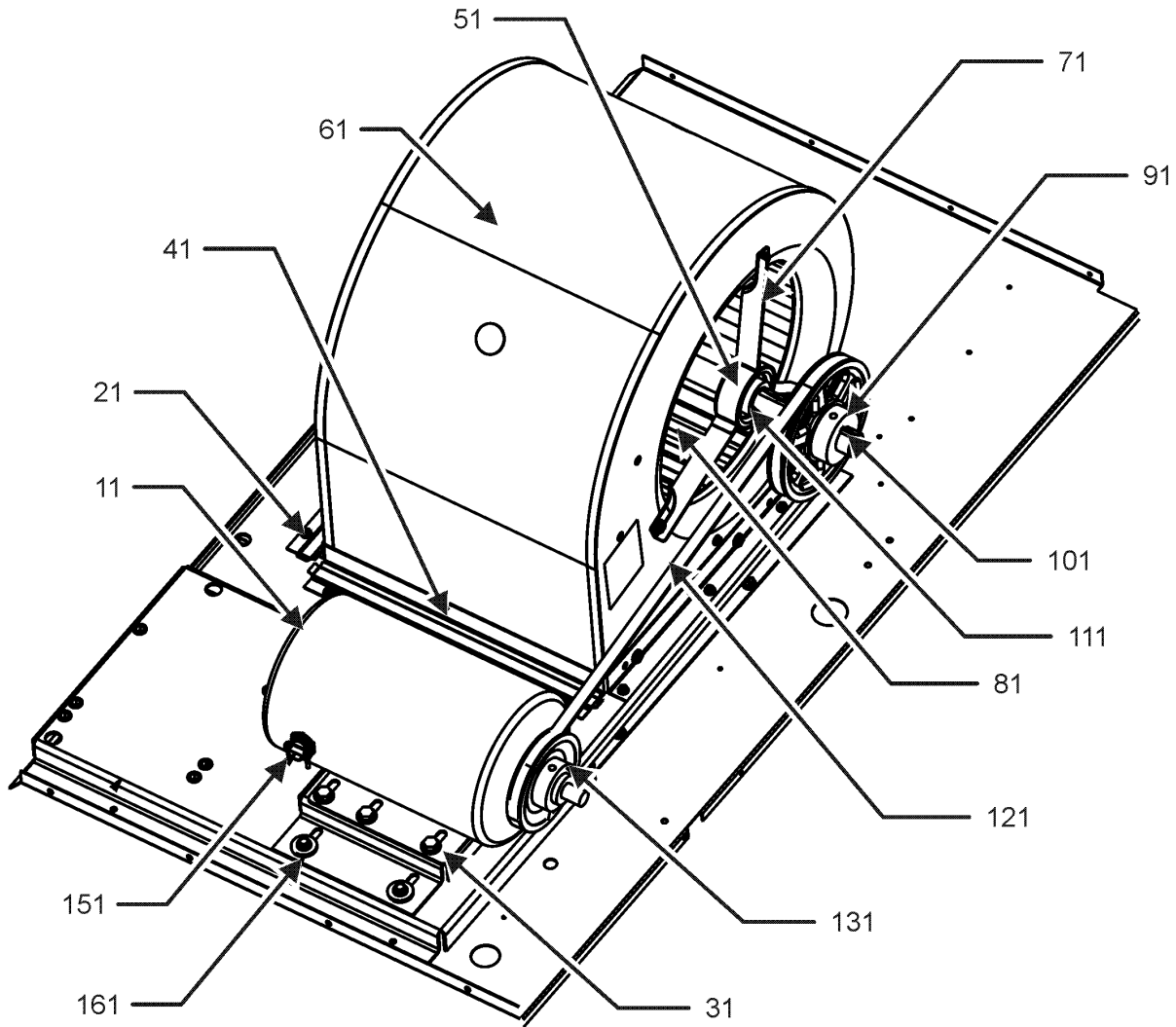
11	0201L00053	TUBING ASSY, COND COIL			
21	0202L00146	EVAP COIL ASSY			
31	0121L00345	BLOCKOFF-EVAPORATOR			
41	0121L00358	FILTER ANGLE-VERTICAL (HAIRPIN SIDE)			
51	0121L00357	FILTER ANGLE-VERTICAL (RETURN SIDE)			
61	0121L00932	FILTER ANGLE-HORIZONTAL (QTY 2)			
71	0121L01255	ANGLE-FILTER CENTER			
121	0130M00101	CONTROL, DEFROST			
211	0121L00348	COND BLOCK-OFF			
221	0121L00939	CONDENSER BLOCKOFF PLATE			
231	0121L00238	DRAIN PAN SUPPORT			
241	0161L00005	DRAIN PAN			
251	0121L02123	DECK SIDE CHANNEL			
261	0121L00349	COND MOUNTING ANGLE			
321	0163L00071	DRAIN PLUG			
331	0154L00009	DRAIN PAN GASKET			
451	0121L00288	ELECTRIC HEAT RETAINER			
461	0121L00144	ELECTRIC HEAT COVER			
471	0121L00256	ELECTRIC HEAT PANEL			
481	0121L01575	BLOWER DECK			
491	A4568804	GROMMET-D (QTY 4)			
NS	0160L00174	AIR FILTER 16 X 20 X 2 (QTY 4)			
NS	0121L01377	BLOWER DECK SUPPORT (M1, M3)			
NS	0121L00321	SMOKE DETECTOR COVER			

Expanded Model Nomenclature

M1 - DCH072XXX3WJDAAA
M2 - DCH072XXX4WXXXAA
M3 - DCH0720153WVDXAA
M4 - DCH0720153WWBBAA

Belt Drive Blower Assembly

BLOWER HOUSING AND MOTOR ASSEMBLY



MOUNTING PLATE ASSEMBLY

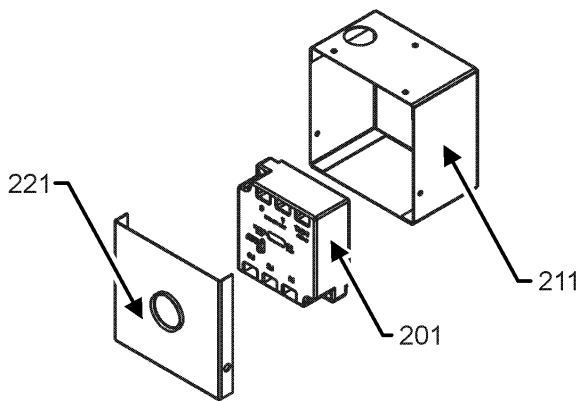
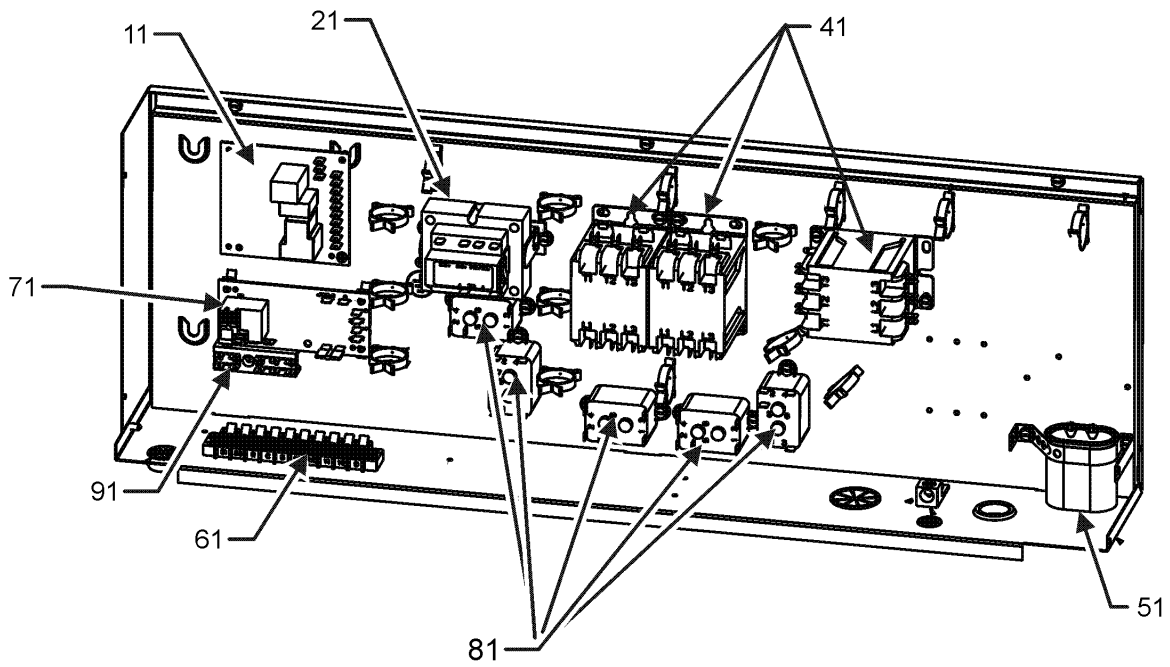
Belt Drive Blower Assembly

Ref. Part No:	No:	Description:	Ref. Part No:	No:	Description:
Image 1:					
11	0131L00041	MOTOR 2 HP BELT DRIVE 208-230V (M1, M3, M4)			
11	0131L00043	MOTOR 2HP BELT DRIVE 460V (M2)			
21	0121L00297	BLOWER SIDE ANGLE (QTY 3)			
31	0121L01619	MOTOR BASE			
41	0121L00281	BLOWER MOUNTING ANGLE			
51	0163L00005	BELT DRIVE BLOWER SHAFT			
61	2539302F	BLOWER HOUSING 11 X 10			
71	B3201300	MOUNTING BRACKET BEARING (QTY 2)			
81	B1368056	BELT DRIVE BLOWER WHEEL			
91	0163L00136	SHEAVE, FIXED AK59H			
101	0163M00407	MACHINE KEY, SPECIAL			
111	0163L00247	BEARING, BALL, MOUNTED (QTY 2)			
121	0164L00010	FAN BELT, NOTCHED			
131	B2120013	VARIABLE PITCH SHEAVE 1VM50			
151	B1393726	ELECT. CONNECTING BUSHING			
161	B1393738	BOLT 1/4-20 X 3/4" (QTY 4)			
171	0163M00045	BOLT 1/4-20 X 4"			
181	3225000F	BELT TIGHTENER ANGLE			
191	B1393023	NUT / LOCK .25-20			
NS	1864703	BLOWER CUT-OFF ASM,5TON,MORRIS			
NS	B1398603	STEEL KEY (000158812) 4.5"			

Expanded Model Nomenclature

M1 - DCH072XXX3WJDAAA
M2 - DCH072XXX4WXXXAA
M3 - DCH0720153WV DXAA
M4 - DCH0720153WWBBAA

Control Box Assembly



PHASE MONITOR ASSEMBLY

Control Box Assembly

Ref. Part No:	Ref. Part No:	Description:	Description:
---------------	---------------	--------------	--------------

Image 1:

11	PCBDM133	DEFROST CONTROL BOARD
21	0130M00594	TRANSFORMER (M1, M3, M4)
21	0130M00595	TRANSFORMER, 75VA, 480V TO 24V (M2)
41	CONT3P025024V	CONT, 3 POLE, 25 AMP, 24 VAC (M2)
41	CONT3P030024V	CONT, 3 POLE, 30 AMP, 24 VAC (M1, M3, M4)
51	CAP100000370LA	CAPACITOR 10/370V
61	0130M00240	TERMINAL BOARD
71	PCBFM103	ELECTRONIC BLOWER TIME DELAY
81	10135604	RELAY (QTY 5)
91	802007090	TERM BOARD
201	0130L00105	PHASE MONITOR (M4)
211	0121L01468	CONTROL, PH MON BOX (M4)
221	0121L01467	CONTROL, PH MON LID (M4)
NS	0130M00025	24V RELAY (M2)
NS	20520901	CAPACITOR STRAP
NS	20520901	CAPACITOR STRAP
NS	0259L00322	HARN, PWR, CM 230V, HP (M1, M3, M4)
NS	0259L00321	HARNESS, BELT DRIVE 2 SP MOTOR
NS	0259L00367	HARNESS, CONTROL, HP
NS	0259L00335	HARNESS, POWER, 2 SPD EM
NS	0259L00427	WIRE ASSY (M4)
NS	0259L00428	WIRE ASSY (M4)

Expanded Model Nomenclature

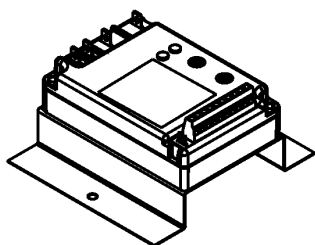
- | |
|------------------------|
| M1 - DCH072XXX3WJDAAA |
| M2 - DCH072XXX4WXXXAA |
| M3 - DCH0720153WV DXAA |
| M4 - DCH0720153WWBBAA |

Accessory List

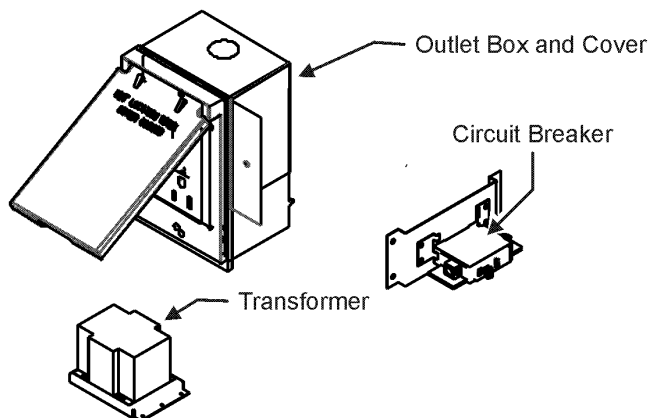
ACCESSORY PARTS LIST

NOTE: NOT ALL OPTIONS AVAILABLE FOR ALL PRODUCTS

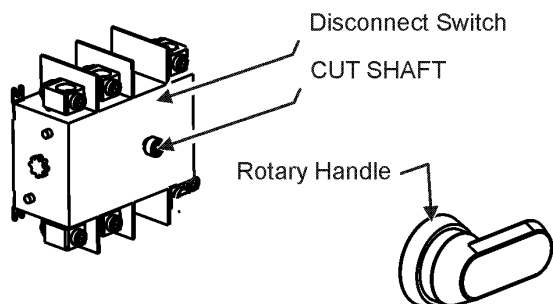
1 LOW AMBIENT KITS



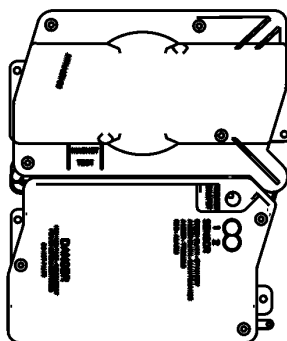
2 GFCI CONVENIENCE OUTLET



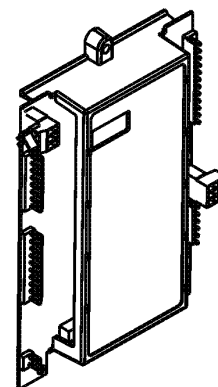
3 DISCONNECT MODULE (NON-FUSED)



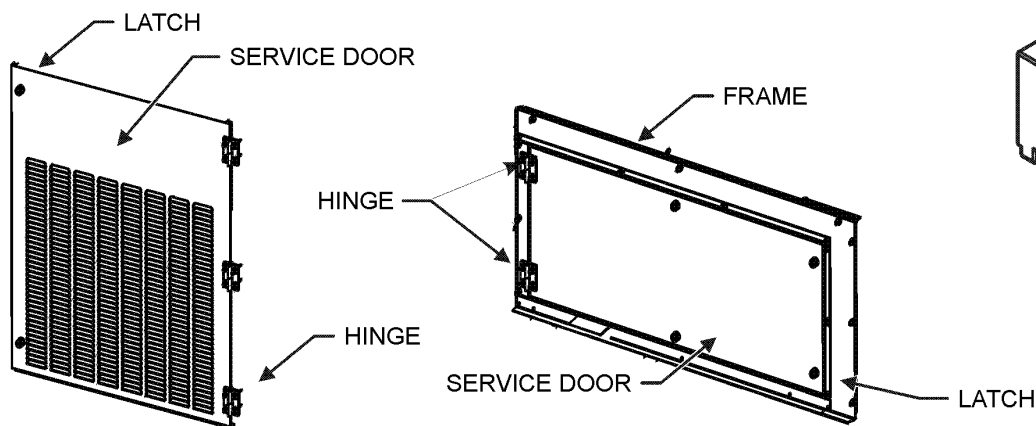
4 SMOKE DETECTORS



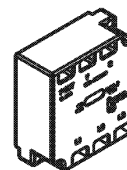
5 DDC CONTROL



6 HINGED DOOR ASSEMBLIES



7 PHASE MONITOR



Accessory List

Ref. Part No:	Part No:	Description:	Ref. Part No:	Part No:	Description:
Image 1:					
NS	EHK3-15	15 KW 208-230/3 ELECTRIC HEAT (M3, M4)			
NS	1036609C	3-6 TON DFLOW ECONOMIZER (M1)			
NS	DDNECNJ3672C	3-6 TON DFLOW ECONOMIZER (M3, M4)			
NS	0121L00316	BRACKET-CONV OUTLET MOUNT (M1, M4)			
NS	0121L00835	BRACKET-DISCONNECT SWITCH (M1, M4)			
NS	0130M00065	CIRCUIT BREAKER, CONVENIENCE OUTLET (M4)			
NS	0121L00837NG	DISCONNECT COVER (M1, M4)			
NS	0130L00012	GANG BOX-GFCI OUTLET (M1, M4)			
NS	0130L00039	HANDLE, ROTARY (M1, M4)			
NS	0163M00307	HINGE, LEFT HAND (M1, M3)			
NS	0163M00308	HINGE, RIGHT HAND (M1, M3)			
NS	0163M00360	LATCH (M1, M3)			
NS	0121L02510NG	PNT, BLOWER DOOR FRAME (M1, M3)			
NS	0161G00012	POWER OUTLET BOX (M1, M4)			
NS	0130L00103	RECEPTACLE-GFCI OUTLET (M1, M4)			
NS	0121L02529NG	SERVICE DOOR BACK , BLOWER (M1, M3)			
NS	0121L02528NG	SERVICE DOOR FRONT, BLOWER (M1, M3)			
NS	0130L00049	SHAFT, DISCONNECT (M1, M4)			
NS	0130L00027	SWITCH-DISCONNECT 100A (M4)			
NS	0130L00028	SWITCH-DISCONNECT 150A (M1)			
NS	0130M00061	TRANSFORMER, CONVENIENCE OUTLET (M4)			

Expanded Model Nomenclature

- | |
|------------------------|
| M1 - DCH072XXX3WJDAAA |
| M2 - DCH072XXX4WXXXAA |
| M3 - DCH0720153WV DXAA |
| M4 - DCH0720153WWBBAA |